



US00D526298S

(12) **United States Design Patent**
Kota et al.

(10) **Patent No.:** **US D526,298 S**

(45) **Date of Patent:** **** Aug. 8, 2006**

(54) **MOBILE TELEPHONE**

(75) Inventors: **Yuichiro Kota**, Tokyo (JP); **Yoshihiro Iwama**, Kokubunji (JP); **Minoru Ikeda**, Inagi (JP); **Takashi Aizawa**, Higashiyamato (JP)

(73) Assignee: **Hitachi, Ltd.**, Tokyo (JP)

(**) Term: **14 Years**

(21) Appl. No.: **29/219,182**

(22) Filed: **Dec. 15, 2004**

(30) **Foreign Application Priority Data**

Sep. 10, 2004 (JP) 2004-027535

(51) **LOC (8) Cl.** **14-03**

(52) **U.S. Cl.** **D14/138**

(58) **Field of Classification Search** D14/137,
D14/138, 147-148, 247-248, 144, 341-347;
379/433.01-433.13; 455/575.4, 566, 575.1,
455/556.1, 556.2, 90.3

See application file for complete search history.

(56) **References Cited**

U.S. PATENT DOCUMENTS

D466,096 S	*	11/2002	Takada	D14/138
D481,692 S	*	11/2003	Husgafvel	D14/138
D493,156 S	*	7/2004	Hamann et al.	D14/138
D501,475 S	*	2/2005	Kim	D14/346
D503,164 S	*	3/2005	Park et al.	D14/138
D503,699 S	*	4/2005	Lee et al.	D14/138
D506,988 S	*	7/2005	Oh	D14/138
D507,253 S	*	7/2005	Lai et al.	D14/138
D508,240 S	*	8/2005	Lee et al.	D14/138
D508,473 S	*	8/2005	Lee et al.	D14/138
D508,688 S	*	8/2005	Lee et al.	D14/138
D509,202 S	*	9/2005	Lee et al.	D14/138
D509,204 S	*	9/2005	Michler	D14/138
D509,493 S	*	9/2005	Winebrenner et al.	D14/138
D509,813 S	*	9/2005	Miyazawa et al.	D14/138
D509,814 S	*	9/2005	Shin et al.	D14/138
D512,702 S	*	12/2005	Lee et al.	D14/138
D515,060 S	*	2/2006	Lee et al.	D14/138

2003/0064688 A1 * 4/2003 Mizuta et al. 455/90
2004/0259592 A1 * 12/2004 Taneya et al. 455/556.1

(Continued)

OTHER PUBLICATIONS

Samsung Z320i telephone, announced fourth quarter 2005, [online], [retrieved on Feb. 14, 2006]. Retrieved from Internet, <URL:http://www.gsmarena.com>.*

Pantech PG-3600 telephone, announced fourth quarter 2005, [online], [retrieved on Feb. 15, 2006]. Retrieved from Internet, <URL:http://www.gsmarena.com>.*

Samsung D820 telephone, announced fourth quarter 2005, [online], [retrieved on Feb. 15, 2006]. Retrieved from Internet, <URL:http://www.gsmarena.com>.*

Primary Examiner—Jeffrey Asch

(74) *Attorney, Agent, or Firm*—Antonelli, Terry, Stout and Kraus, LLP

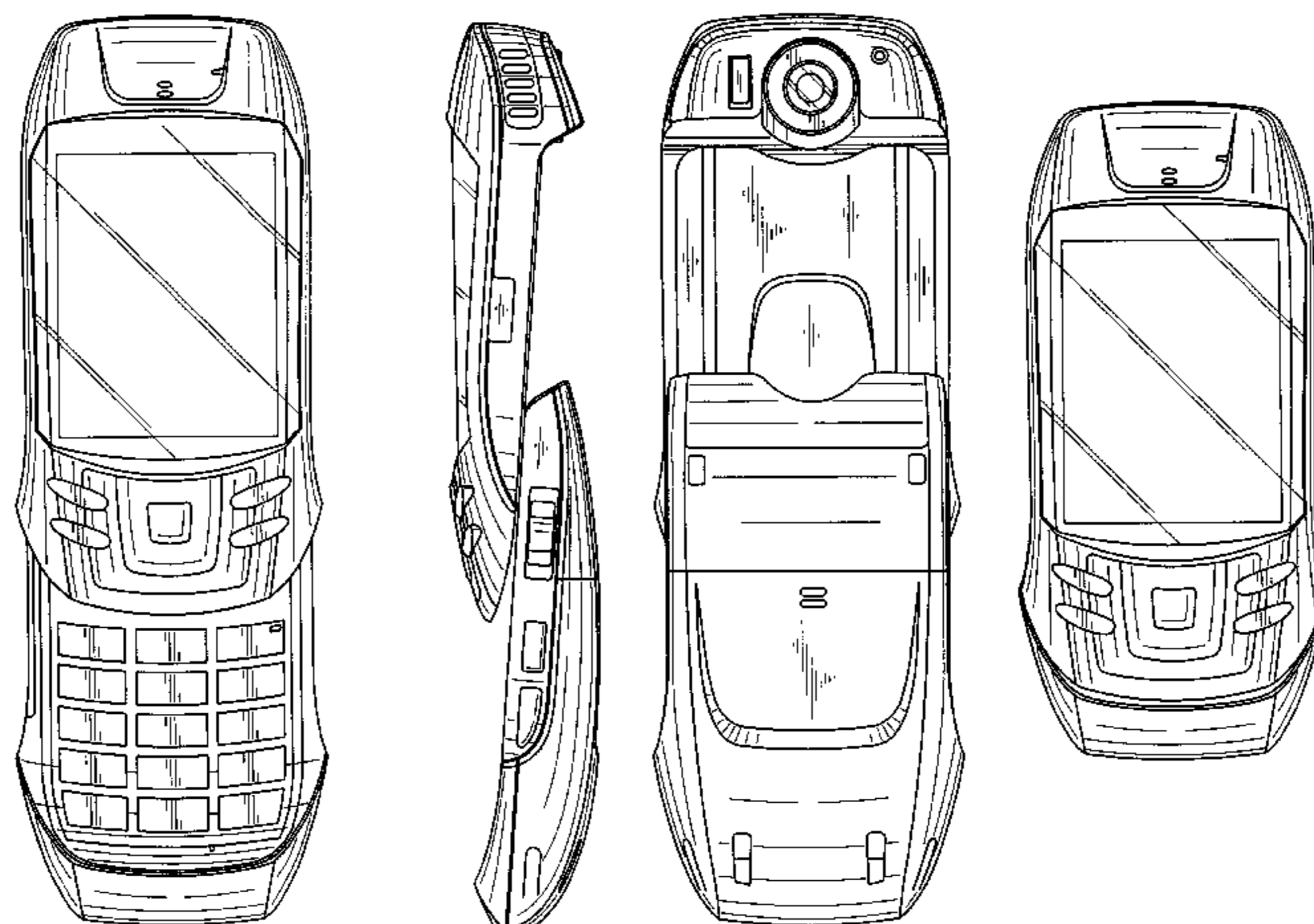
(57) **CLAIM**

We claim the ornamental design for a mobile telephone, as shown.

DESCRIPTION

FIG. 1 is a front, top and right side perspective view of a mobile telephone showing our new design; FIG. 2 is a front elevational view thereof; FIG. 3 is a left side elevational view thereof; FIG. 4 is a right side elevational view thereof; FIG. 5 is a top plan elevational view thereof; FIG. 6 is a bottom plan elevational view thereof; FIG. 7 is a rear elevational view thereof; FIG. 8 is a front elevational view of the mobile telephone in the closed position; FIG. 9 is a right side elevational view of the mobile telephone in the closed position; FIG. 10 is a top plan elevational view of the mobile telephone in the closed position; FIG. 11 is a bottom plan elevational view of the mobile telephone in the closed position; and, FIG. 12 is a rear elevational view of the mobile telephone in the closed position.

1 Claim, 7 Drawing Sheets



US D526,298 S

Page 2

U.S. PATENT DOCUMENTS

2005/0009581	A1 *	1/2005	Im et al.	455/575.4	2005/0119034	A1 *	6/2005	Kato et al.	455/575.4
2005/0064921	A1 *	3/2005	Jeong et al.	455/575.4	2005/0164751	A1 *	7/2005	Nishihara	455/575.1
2005/0095995	A1 *	5/2005	Bae	455/90.3	2005/0190291	A1 *	9/2005	Kota et al.	348/376
2005/0107126	A1 *	5/2005	Kim	455/565	2005/0250532	A1 *	11/2005	Hwang et al.	455/550.1

* cited by examiner

FIG. 1

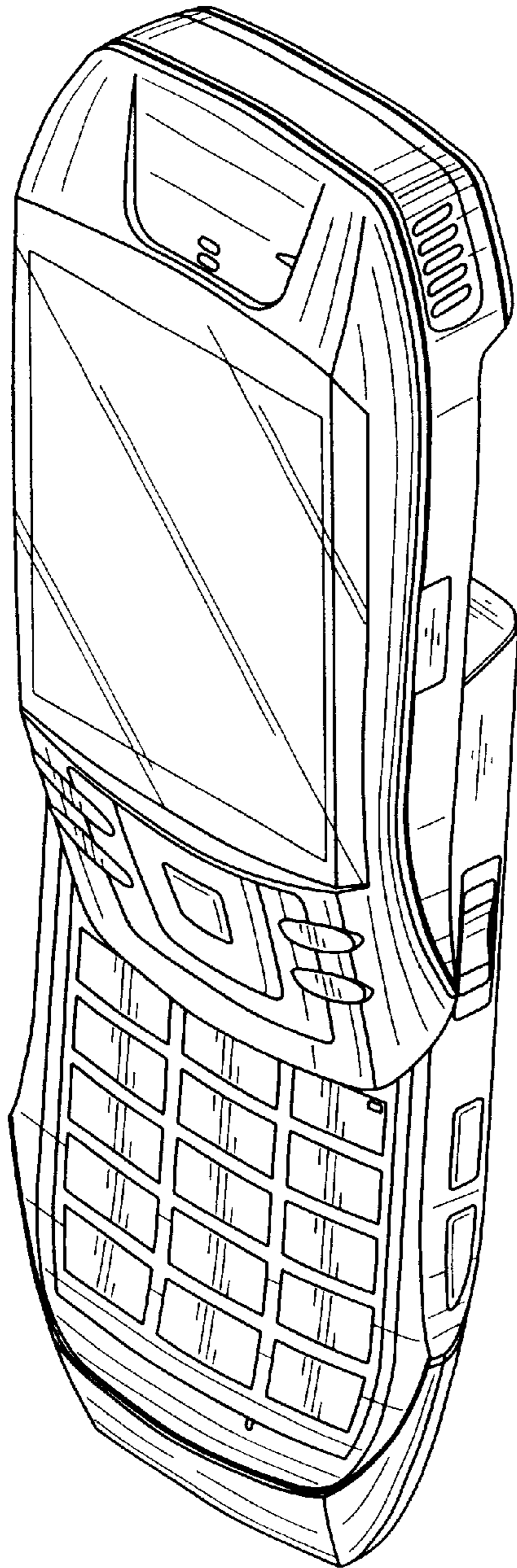


FIG. 2

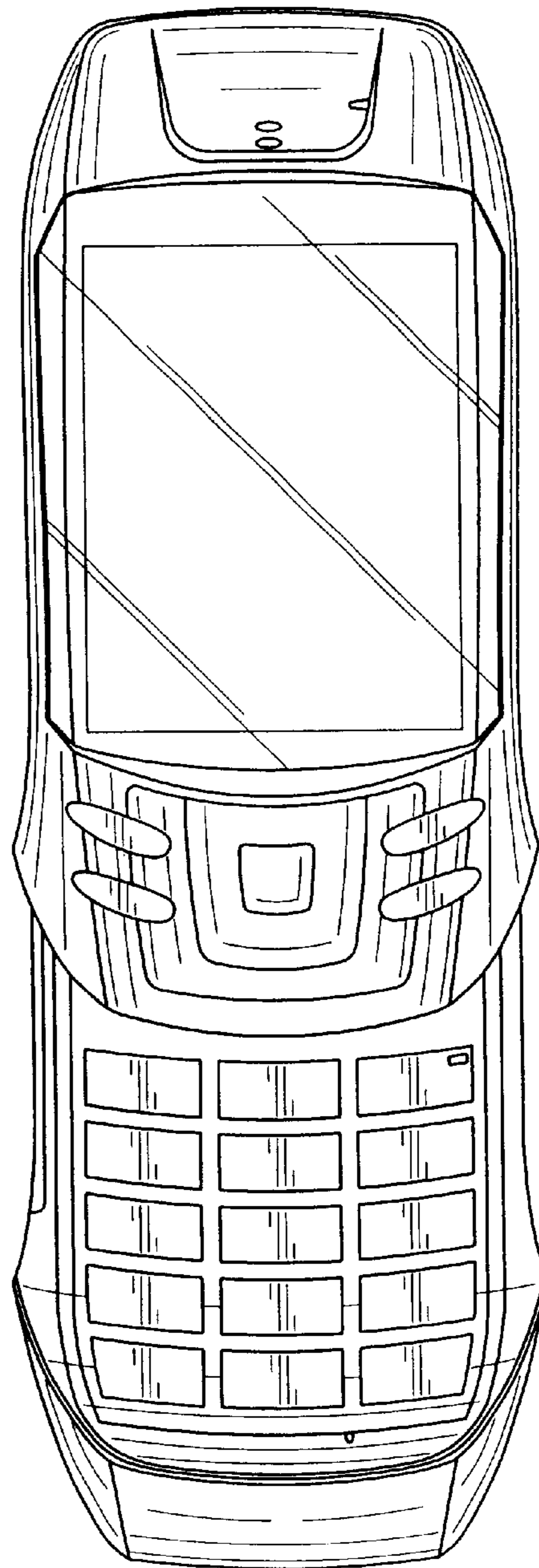


FIG. 3

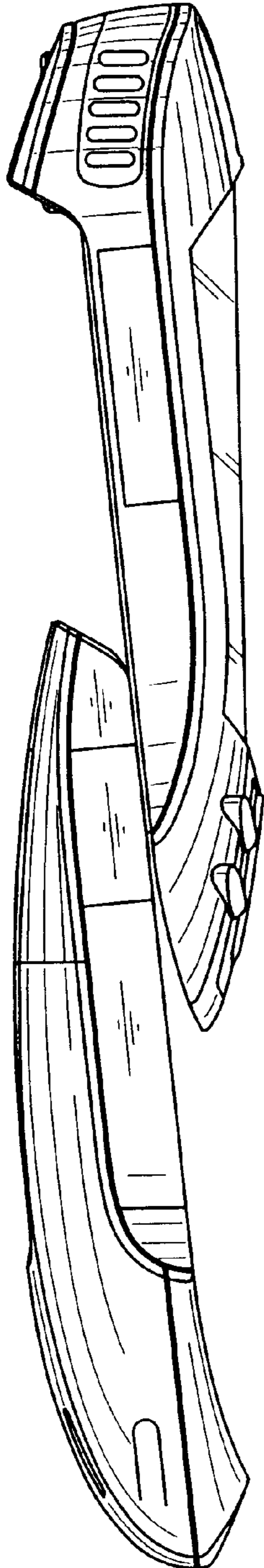


FIG. 4

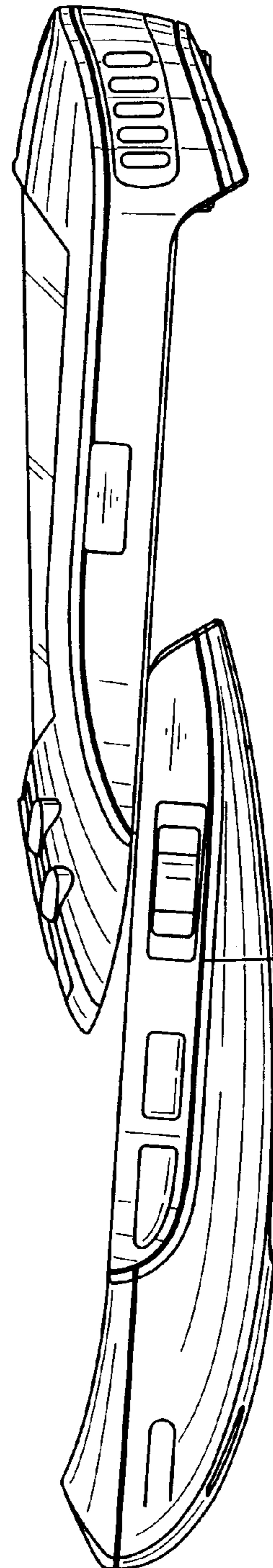


FIG. 5

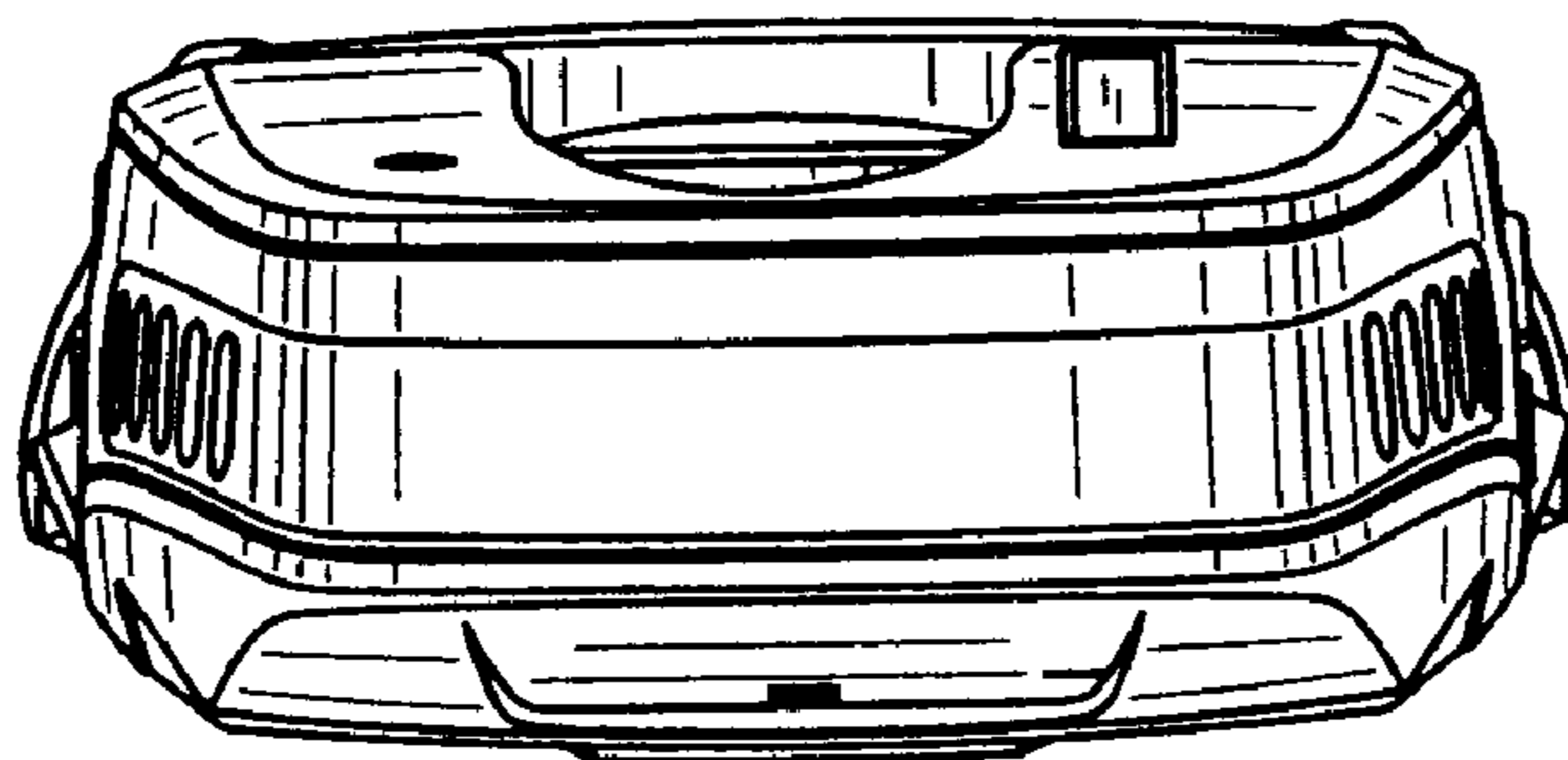


FIG. 6

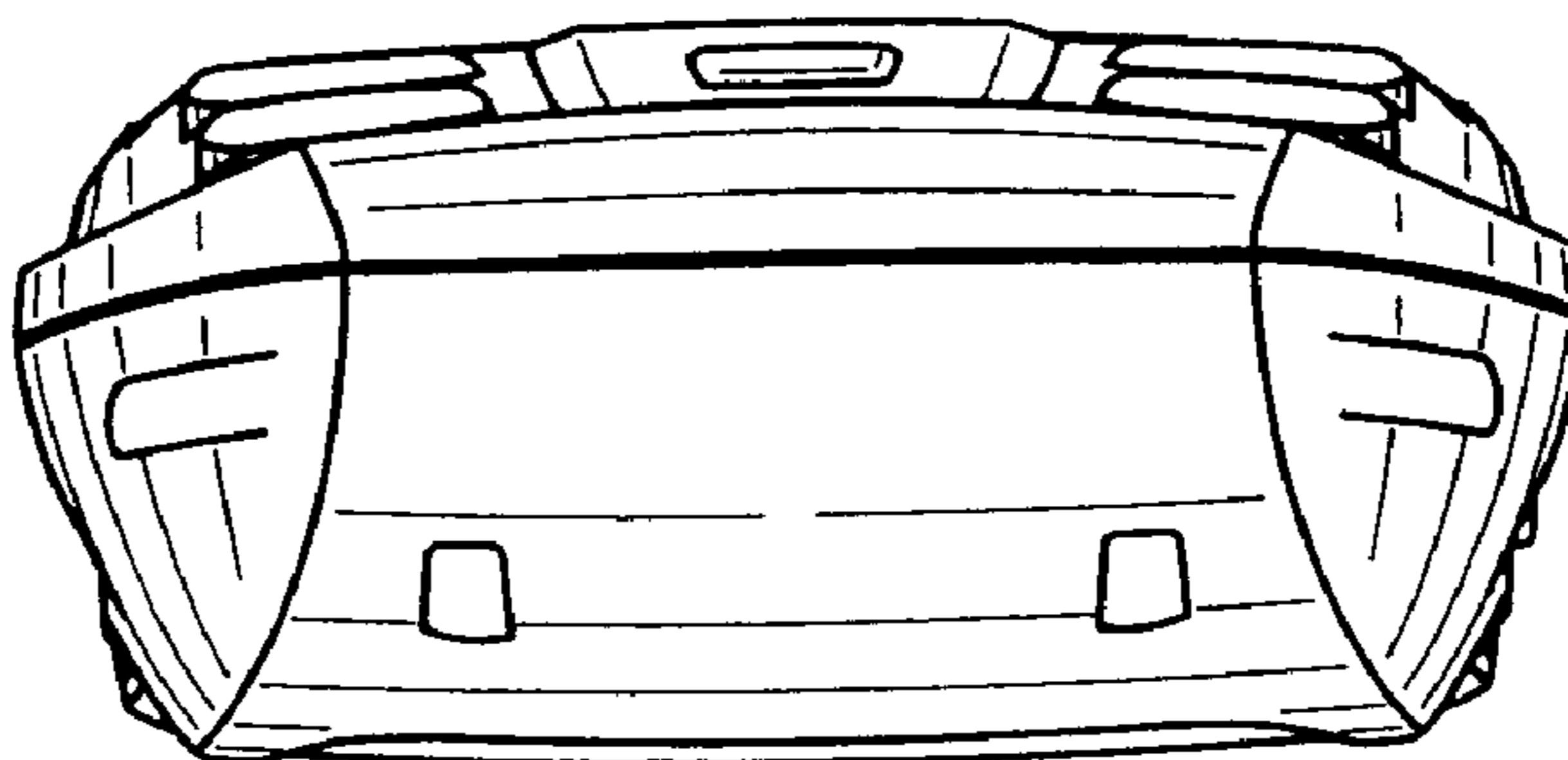


FIG. 7

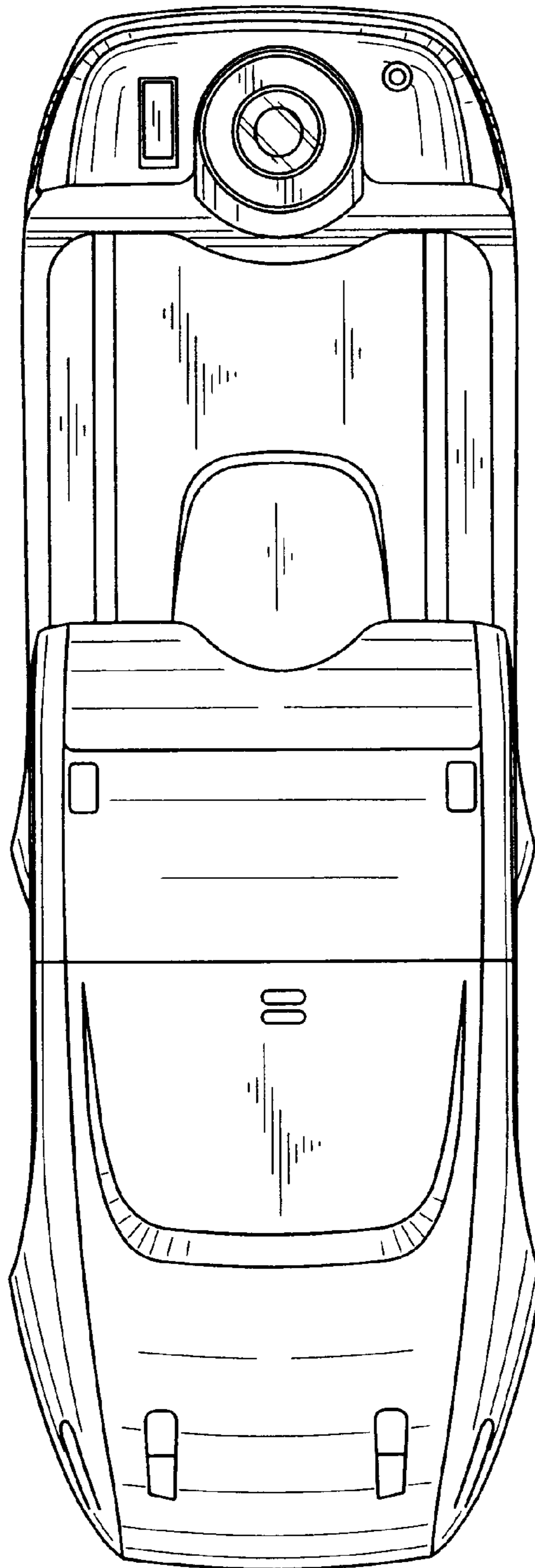


FIG. 8

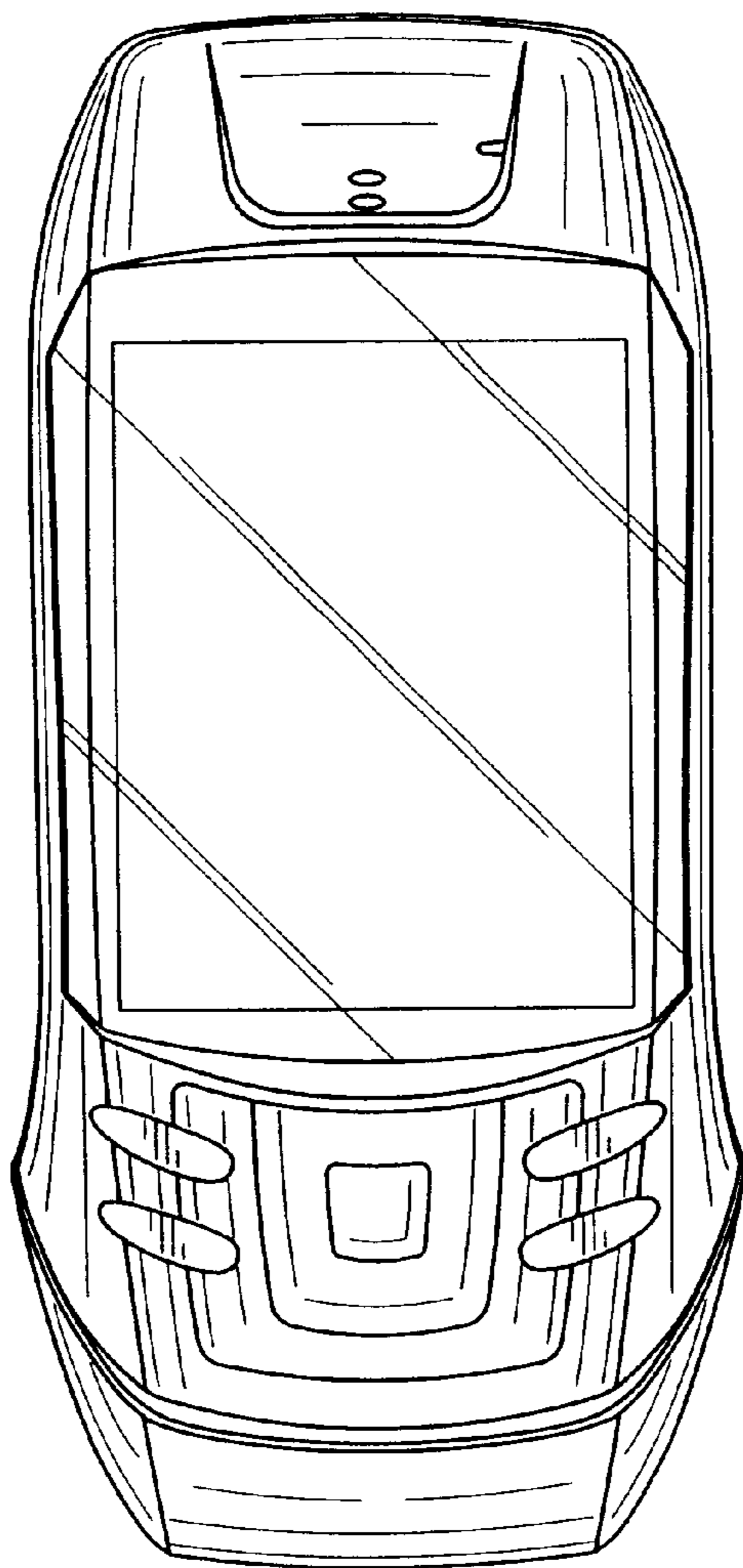


FIG. 9

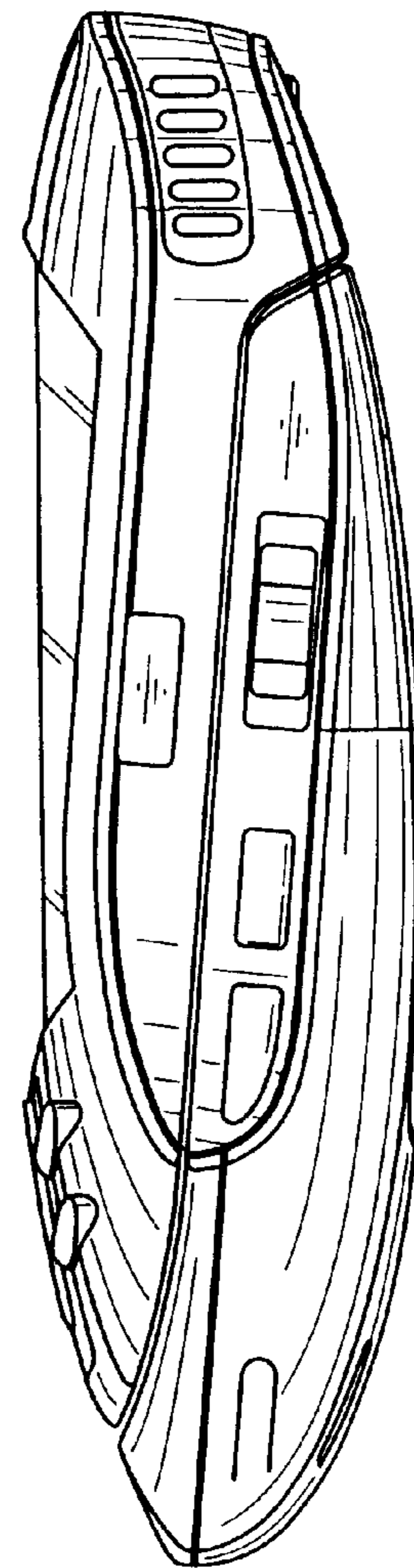


FIG. 10

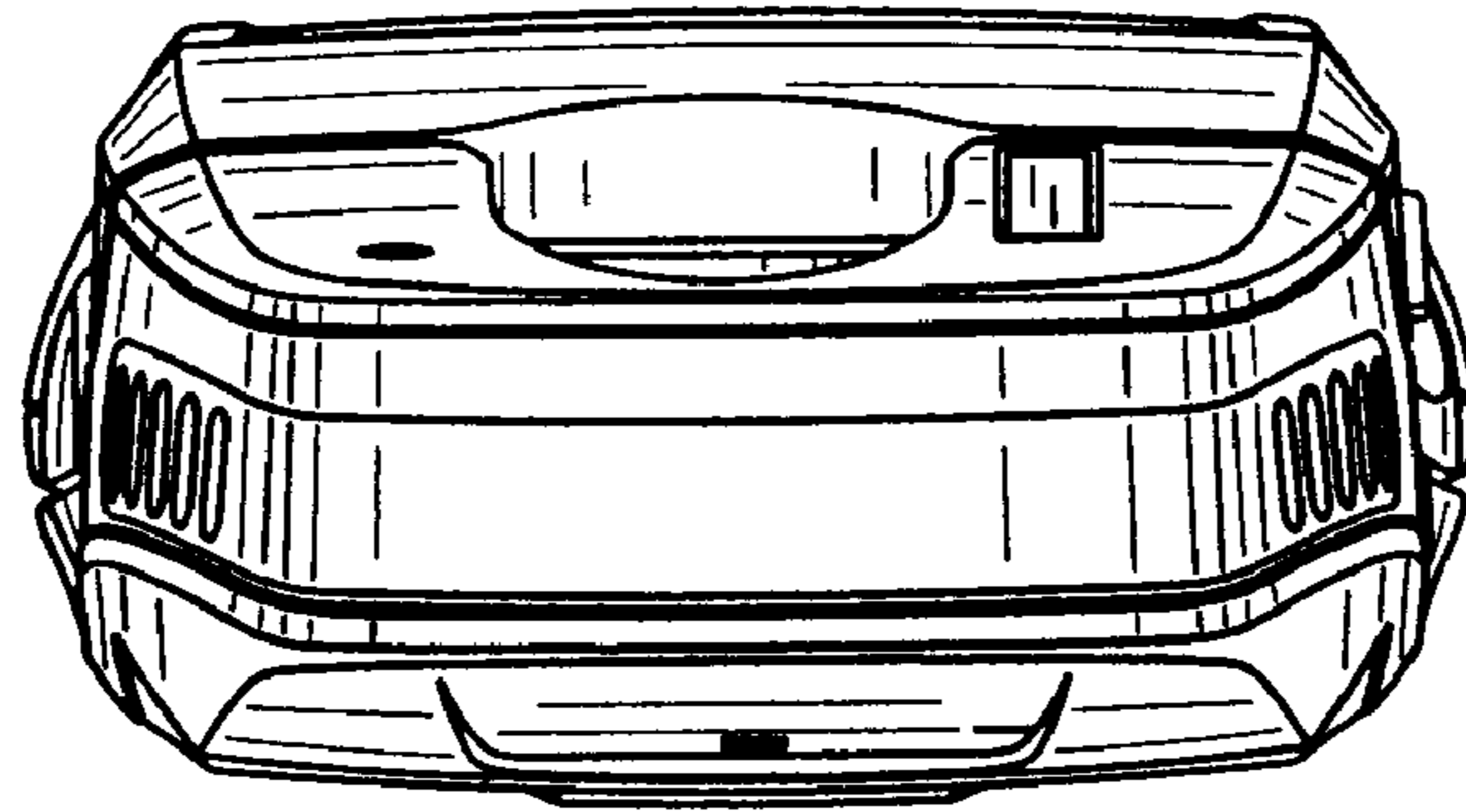


FIG. 11

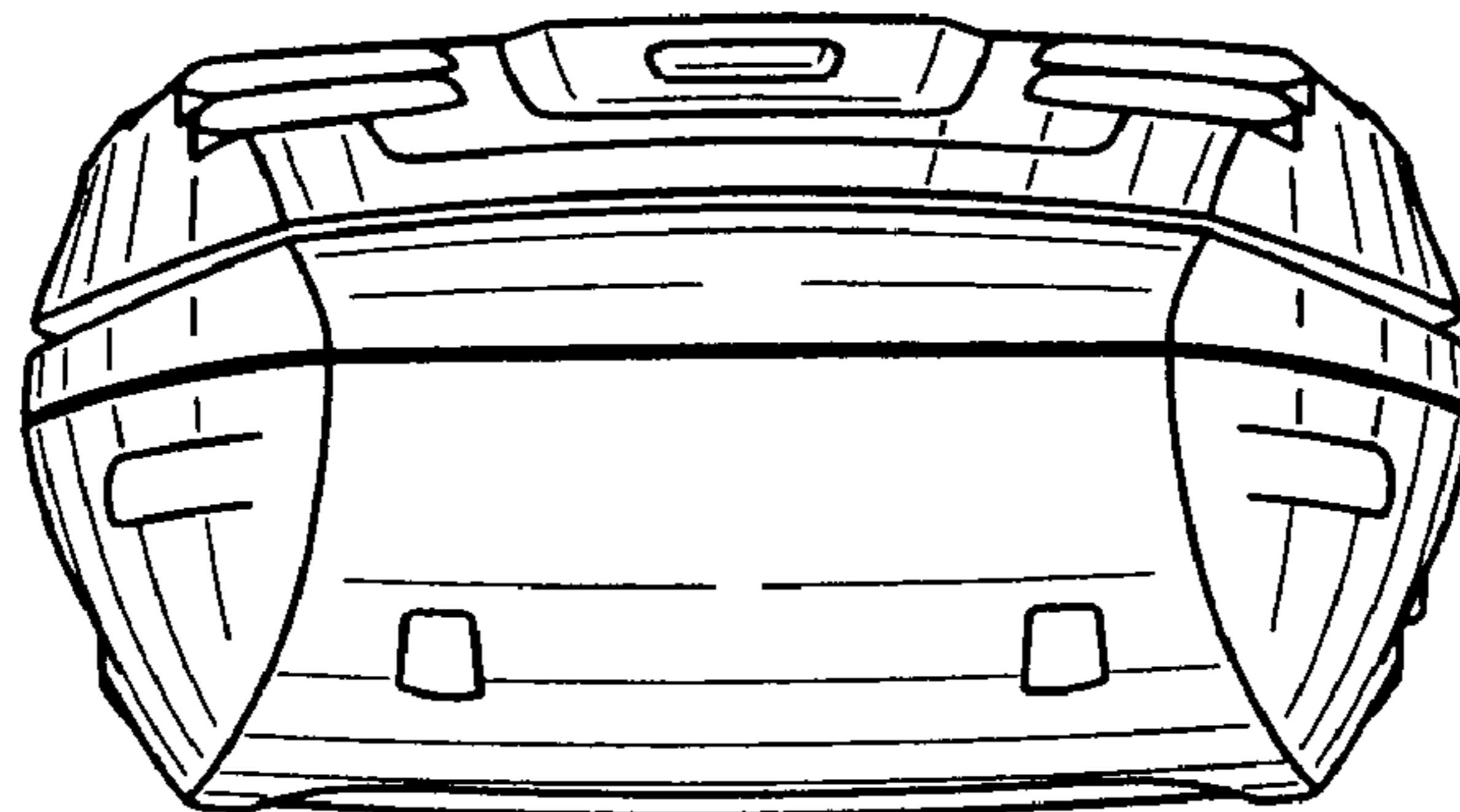


FIG. 12

