

US00D526296S

(12) **United States Design Patent** (10) **Patent No.:** **US D526,296 S**
Wen (45) **Date of Patent:** **** Aug. 8, 2006**

(54) **HANDSET**

(75) Inventor: **Szu-Cheng Wen, Hsin-Tien (TW)**

(73) Assignee: **Senao International CO, Ltd, Taipei Hsien (TW)**

(**) Term: **14 Years**

(21) Appl. No.: **29/214,921**

(22) Filed: **Oct. 13, 2004**

(51) **LOC (8) Cl.** **14-03**

(52) **U.S. Cl.** **D14/138**

(58) **Field of Classification Search** D14/137,
D14/138, 147-148, 247-248, 144, 341-347;
379/433.01-433.13, 434; 455/575.1, 566,
455/556.1; D21/517

See application file for complete search history.

(56) **References Cited**

U.S. PATENT DOCUMENTS

D394,433 S	*	5/1998	Lindeman et al.	D14/138
D410,002 S	*	5/1999	Collins	D14/138
D413,884 S	*	9/1999	Ogawa	D14/138
D417,213 S	*	11/1999	Meyer	D14/138
D427,983 S	*	7/2000	Nagano et al.	D14/138
D428,867 S	*	8/2000	Komuta	D14/138
D435,027 S	*	12/2000	Wolf et al.	D14/138
D436,090 S	*	1/2001	Nagano et al.	D14/138
D436,939 S	*	1/2001	Nagano et al.	D14/138
D440,951 S	*	4/2001	Kolinen	D14/138
D442,157 S	*	5/2001	Muenschler et al.	D14/138
D447,126 S	*	8/2001	Carvalho	D14/138
D451,484 S	*	12/2001	Page et al.	D14/137
D458,595 S	*	6/2002	Yin et al.	D14/138
D461,461 S	*	8/2002	Adamson et al.	D14/147

D468,281 S	*	1/2003	Taniguchi et al.	D14/138
6,539,243 B1	*	3/2003	Kimura et al.	455/550.1
D477,582 S	*	7/2003	Muenschler et al.	D14/147
D477,817 S	*	7/2003	Luminosu et al.	D14/138
D481,369 S	*	10/2003	Kolinen et al.	D14/138
D485,816 S	*	1/2004	Tanaka	D14/138
D494,560 S	*	8/2004	Santos et al.	D14/138
D496,342 S	*	9/2004	Clemens et al.	D14/138
D496,635 S	*	9/2004	Lodato et al.	D14/138
D498,221 S	*	11/2004	Schunemann	D14/138
2003/0013418 A1	*	1/2003	Kato	455/90

FOREIGN PATENT DOCUMENTS

WO	DM/057746	*	7/2001
WO	DM/057523	*	9/2001
WO	DM/060792	*	6/2002
WO	DM/065064	*	2/2004

* cited by examiner

Primary Examiner—Jeffrey Asch

(74) *Attorney, Agent, or Firm*—Pearl Cohen Zedek Latzer, LLP

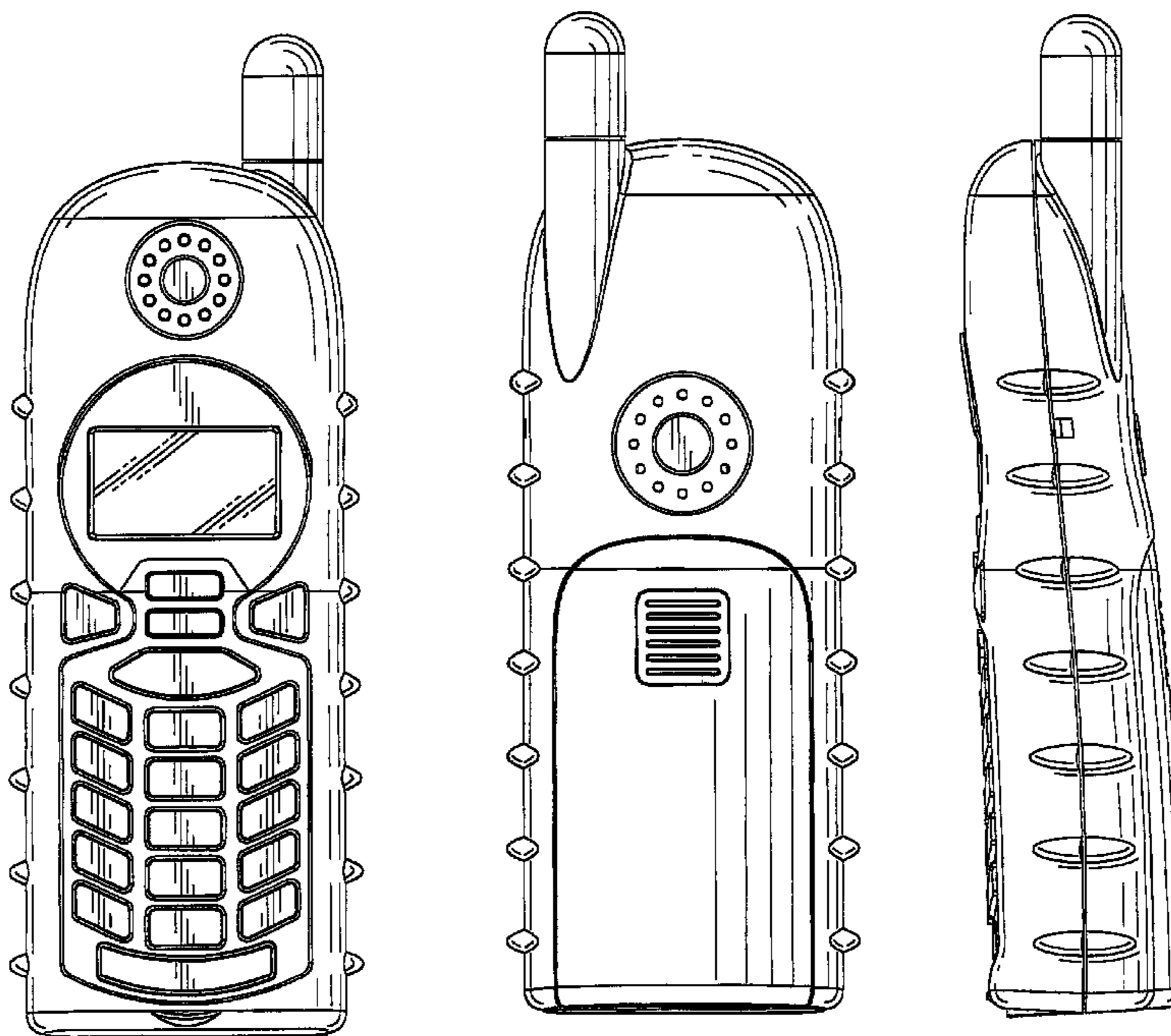
(57) **CLAIM**

The ornamental design for handset, as shown and described.

DESCRIPTION

FIG. 1 is a perspective view of handset showing my new design;
FIG. 2 is a front elevational view thereof;
FIG. 3 is a rear elevational view thereof;
FIG. 4 is a left side elevational view thereof;
FIG. 5 is a right side elevational view thereof;
FIG. 6 is a top plan view thereof; and,
FIG. 7 is a bottom plan view thereof.

1 Claim, 3 Drawing Sheets



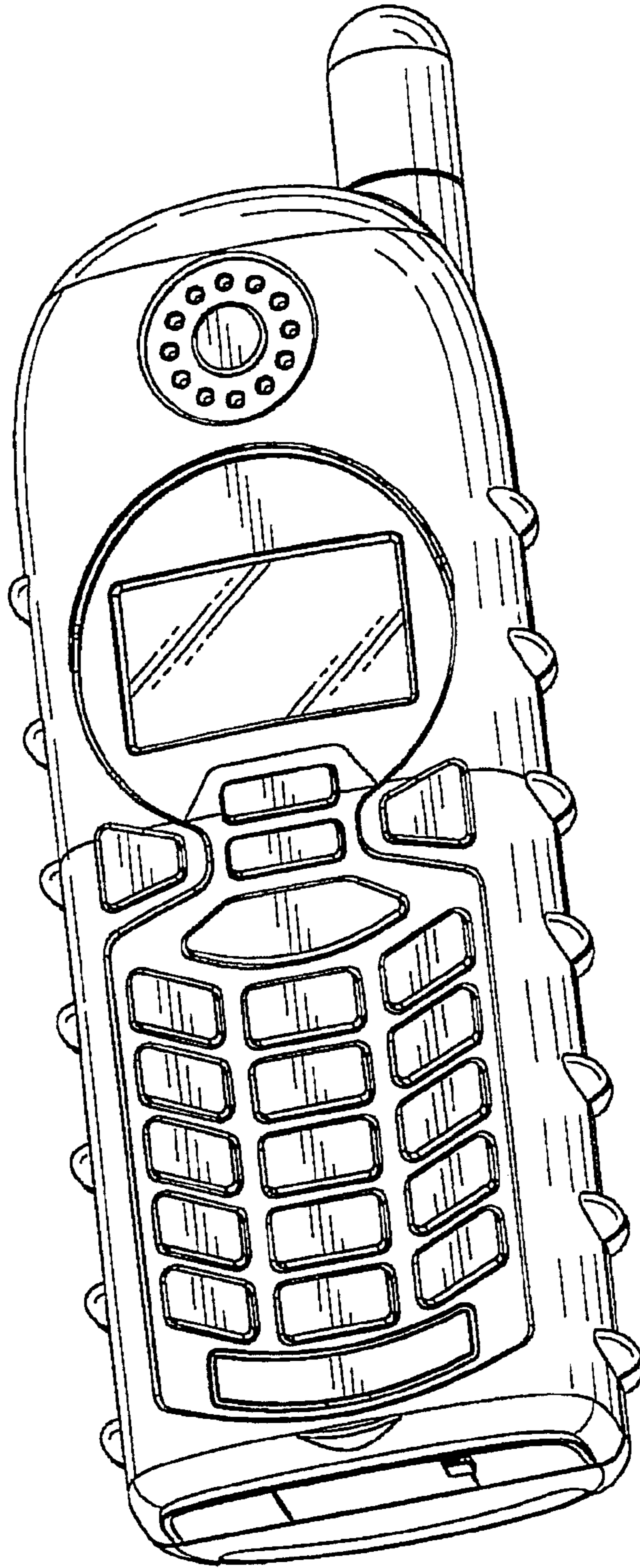


FIG. 1

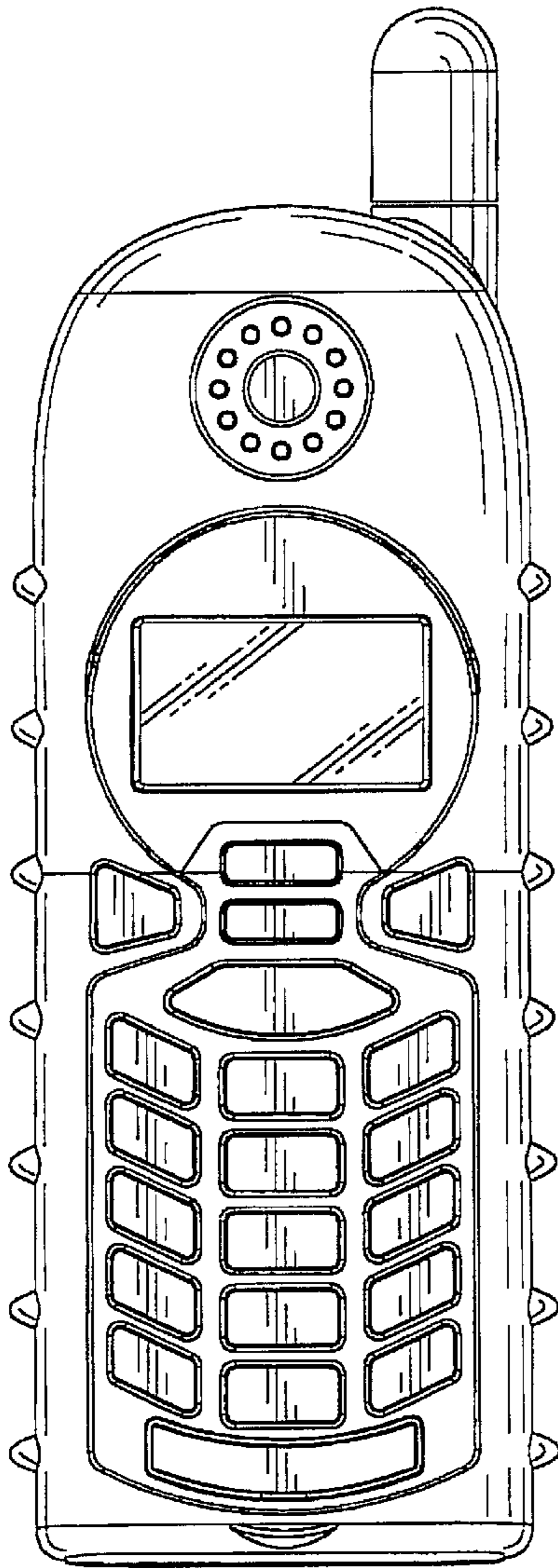


FIG. 2

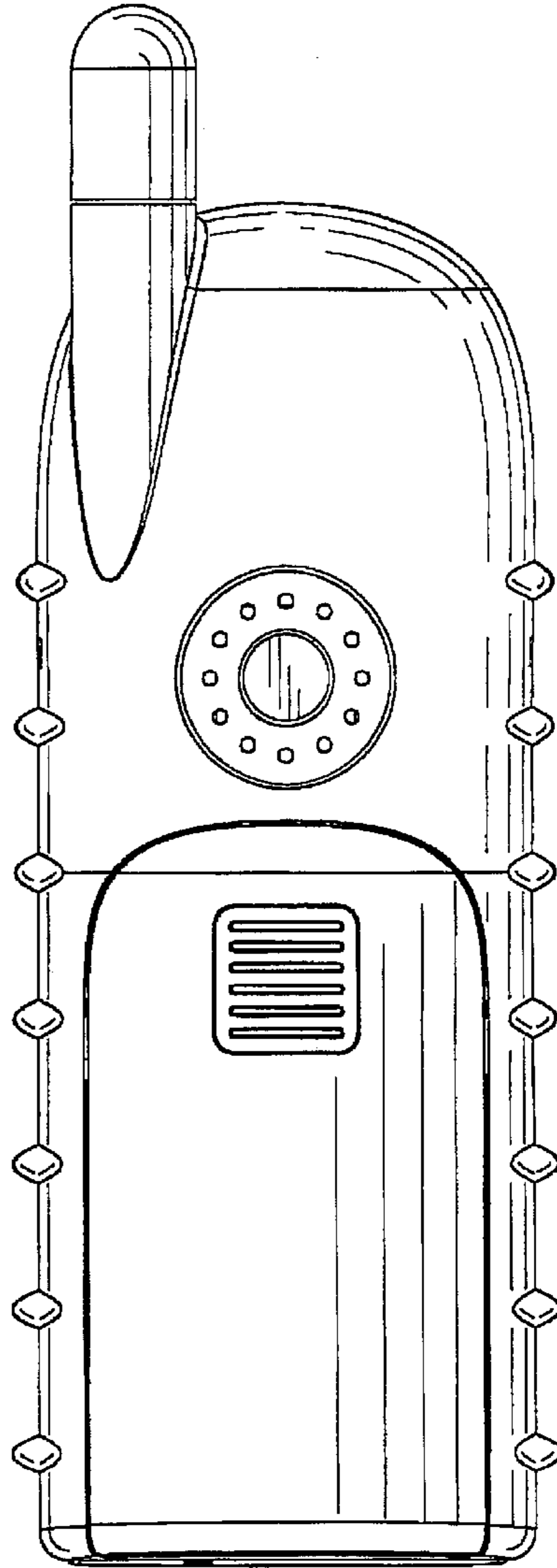


FIG. 3

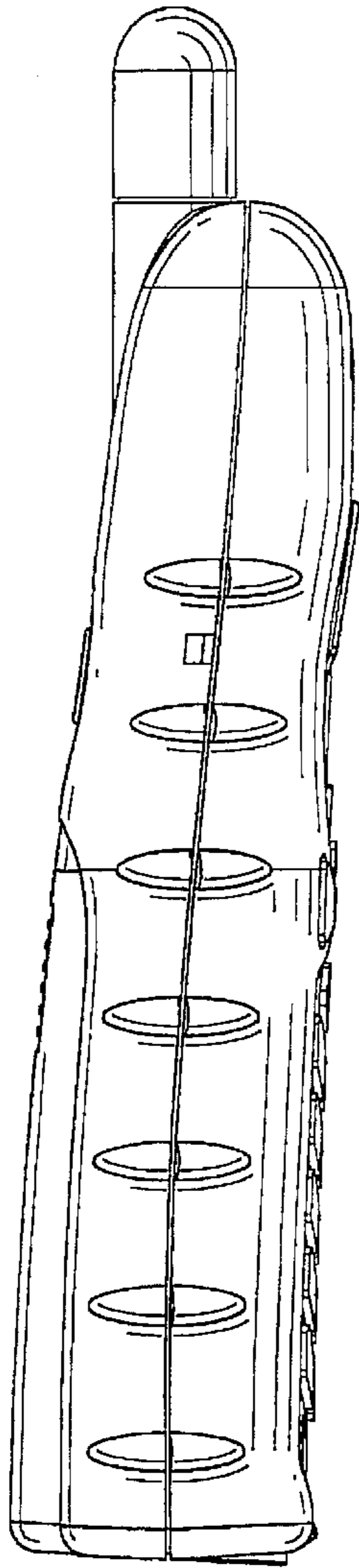


FIG. 4

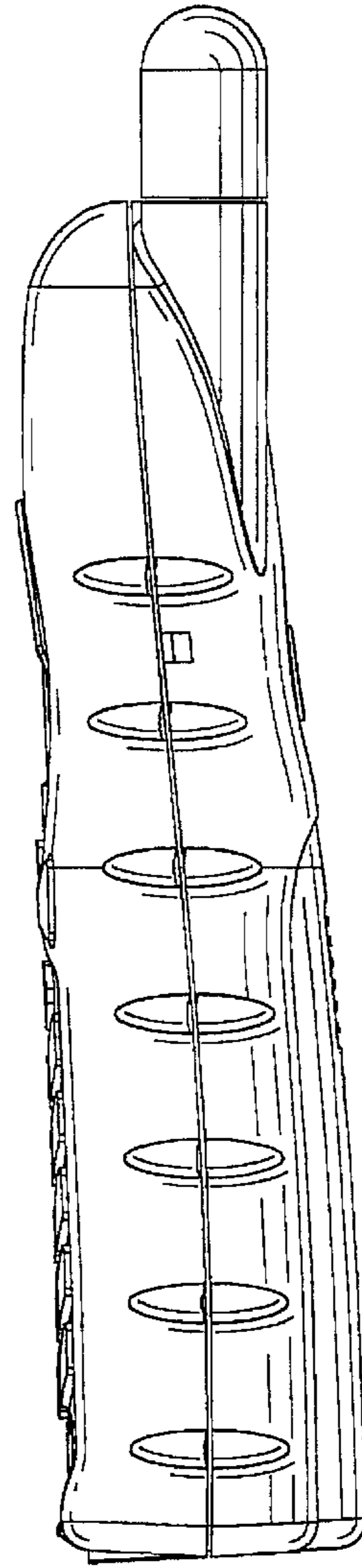


FIG. 5

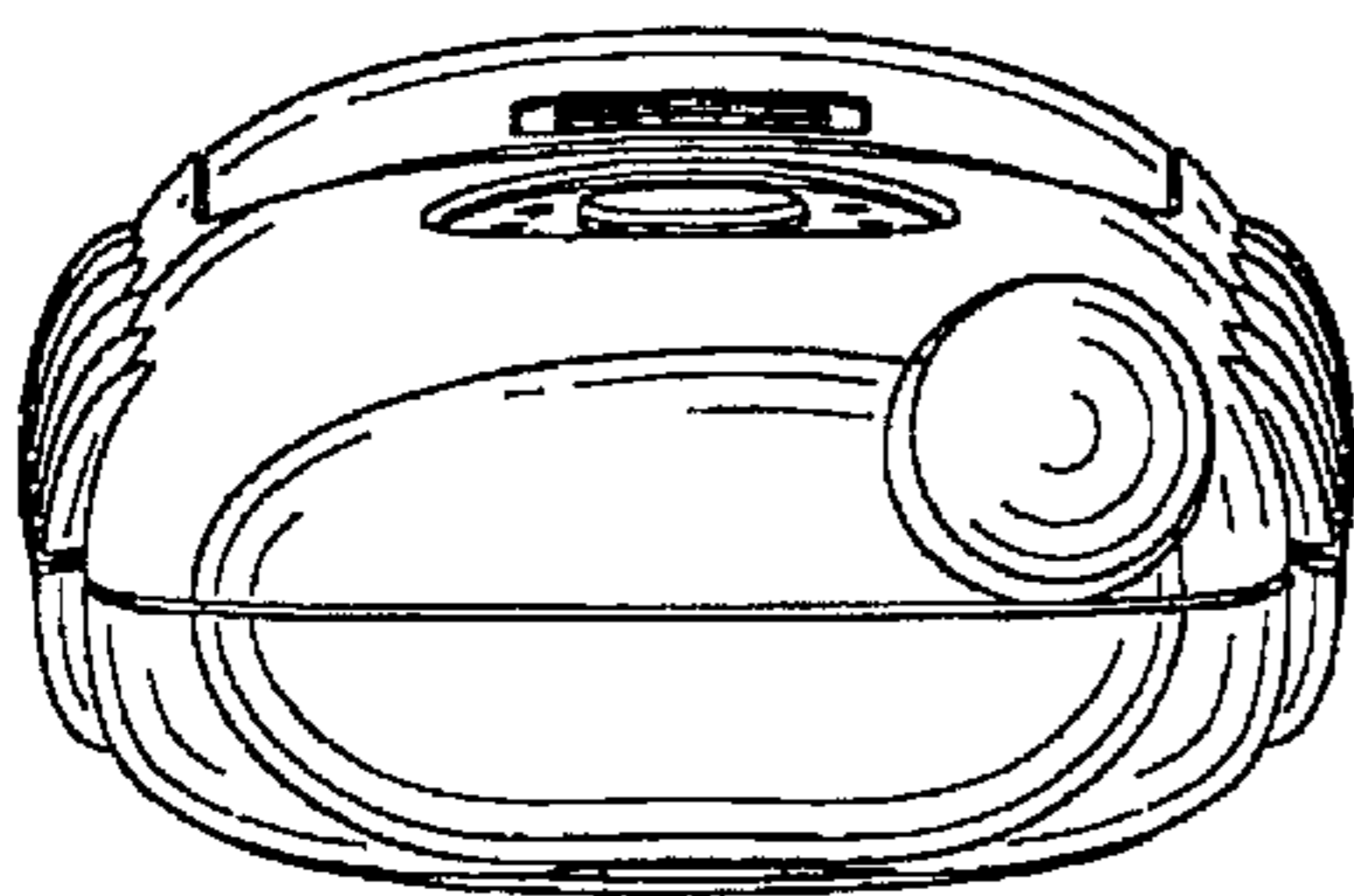


FIG. 6

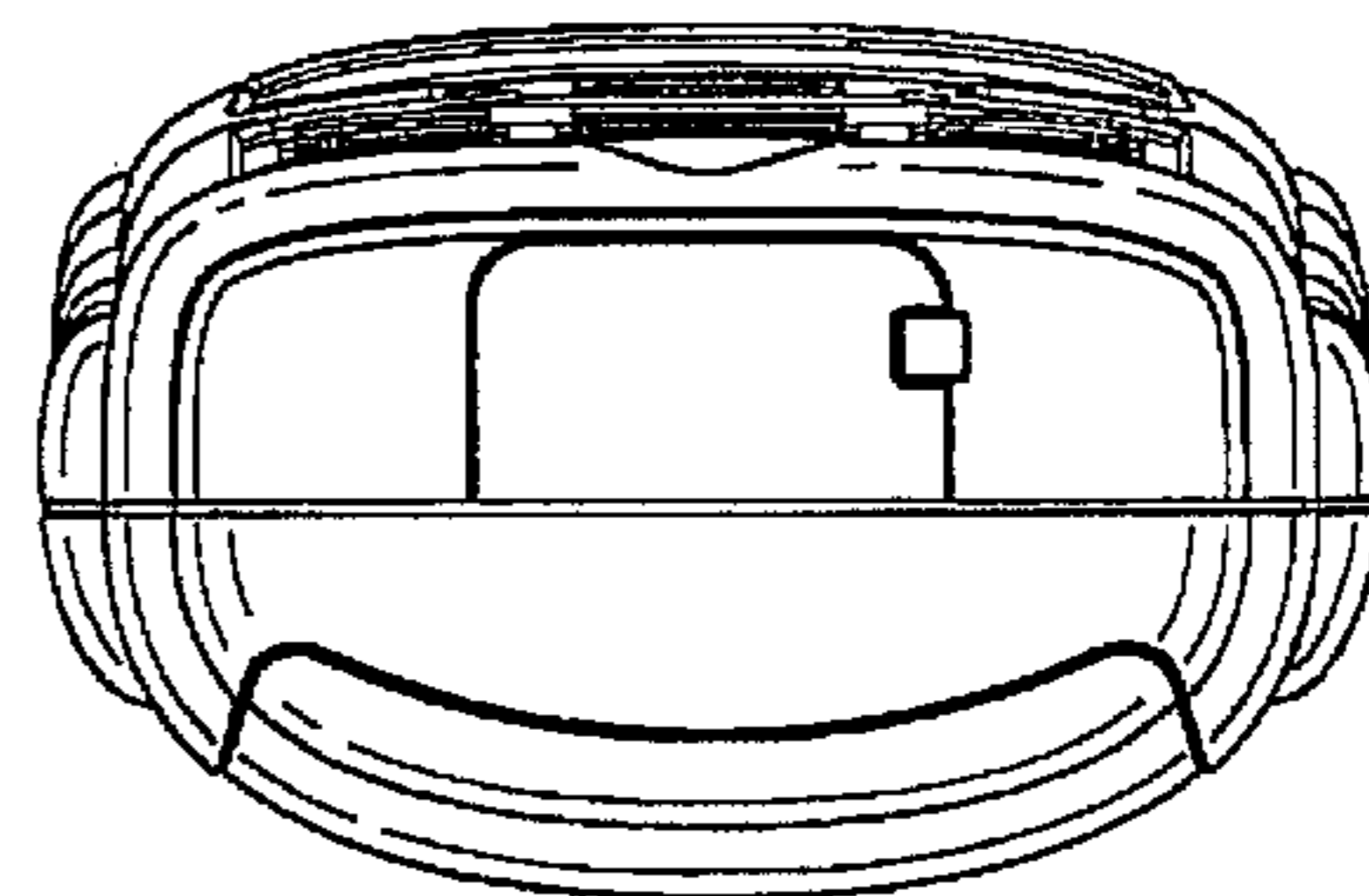


FIG. 7