

US00D526286S

(12) **United States Design Patent**
Anzures

(10) **Patent No.:** **US D526,286 S**

(45) **Date of Patent:** **** Aug. 8, 2006**

(54) **TELEVISION SET**

D503,390 S * 3/2005 Sham et al. D14/126
D504,688 S * 5/2005 Lin et al. D14/375

(75) Inventor: **Freddy Anzures**, San Francisco, CA
(US)

* cited by examiner

(73) Assignee: **Hannspree, Inc.**, Taipei (TW)

Primary Examiner—Raphael Barkai

(**) Term: **14 Years**

(74) *Attorney, Agent, or Firm*—Michael A. Glenn; Glenn Patent Group

(21) Appl. No.: **29/232,451**

(57) **CLAIM**

(22) Filed: **Jun. 16, 2005**

The ornamental design for a “television set,” as shown and described herein.

(30) **Foreign Application Priority Data**

Dec. 17, 2004 (TW) 93307852

DESCRIPTION

(51) **LOC (8) Cl.** **14-03**

FIG. 1 is a perspective view of television set showing my new design.

(52) **U.S. Cl.** **D14/126**

(58) **Field of Classification Search** D14/125–134,
D14/239, 371, 136, 374–377; 312/7.2; 348/836,
348/838, 180, 184, 325, 739; 341/12; 248/917–924,
248/465; 345/104, 133, 156, 168, 87, 173;
720/605, 669, 600, 655; 369/99, 197; 455/344–347
See application file for complete search history.

FIG. 2 is a front view thereof;

FIG. 3 is a rear view thereof;

FIG. 4 is a left side view thereof;

FIG. 5 is a right side view thereof;

FIG. 6 is a top plan view thereof; and,

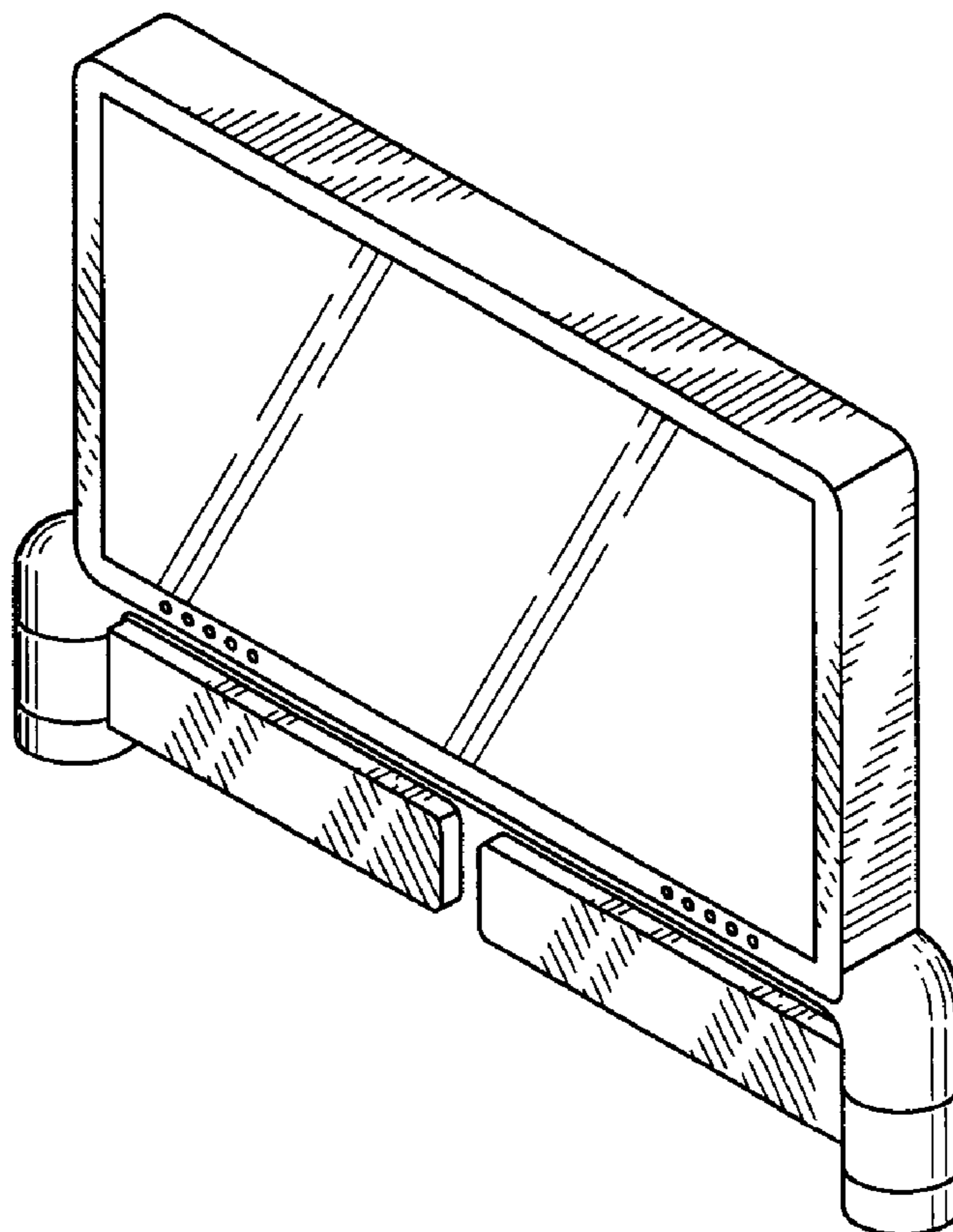
FIG. 7 is a bottom plan view thereof.

(56) **References Cited**

U.S. PATENT DOCUMENTS

D467,232 S * 12/2002 Bong et al. D14/126

1 Claim, 4 Drawing Sheets



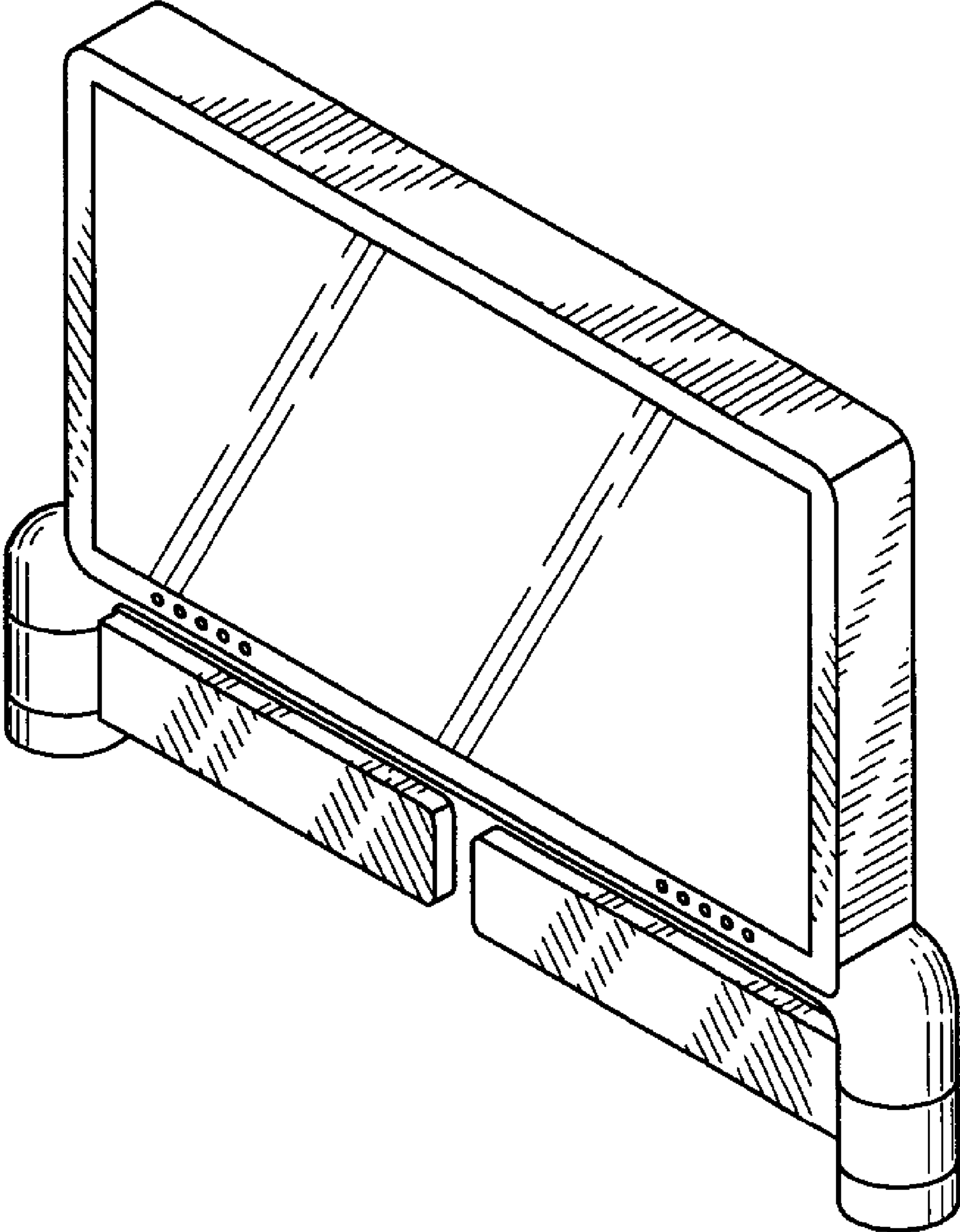


FIG. 1

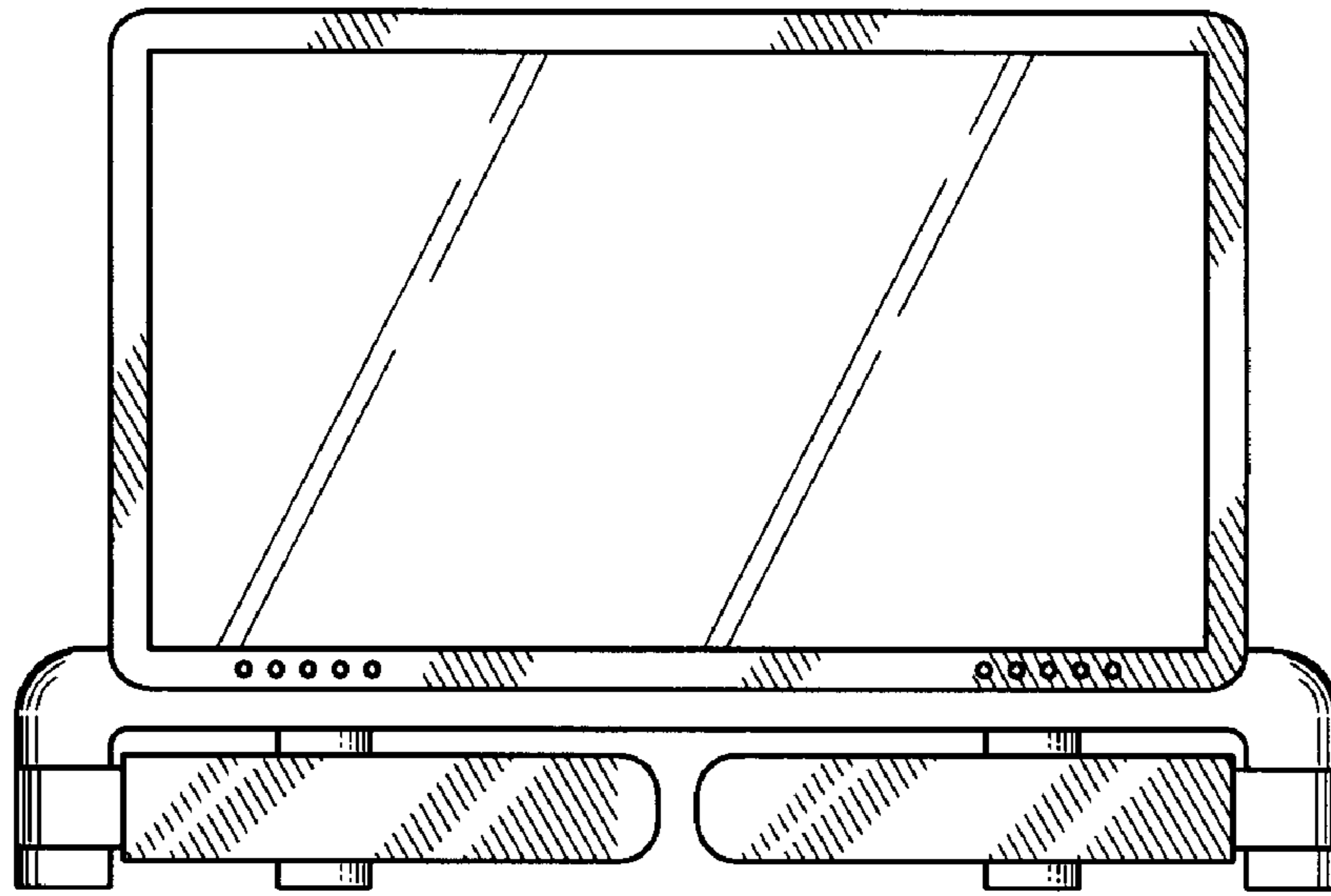


FIG. 2

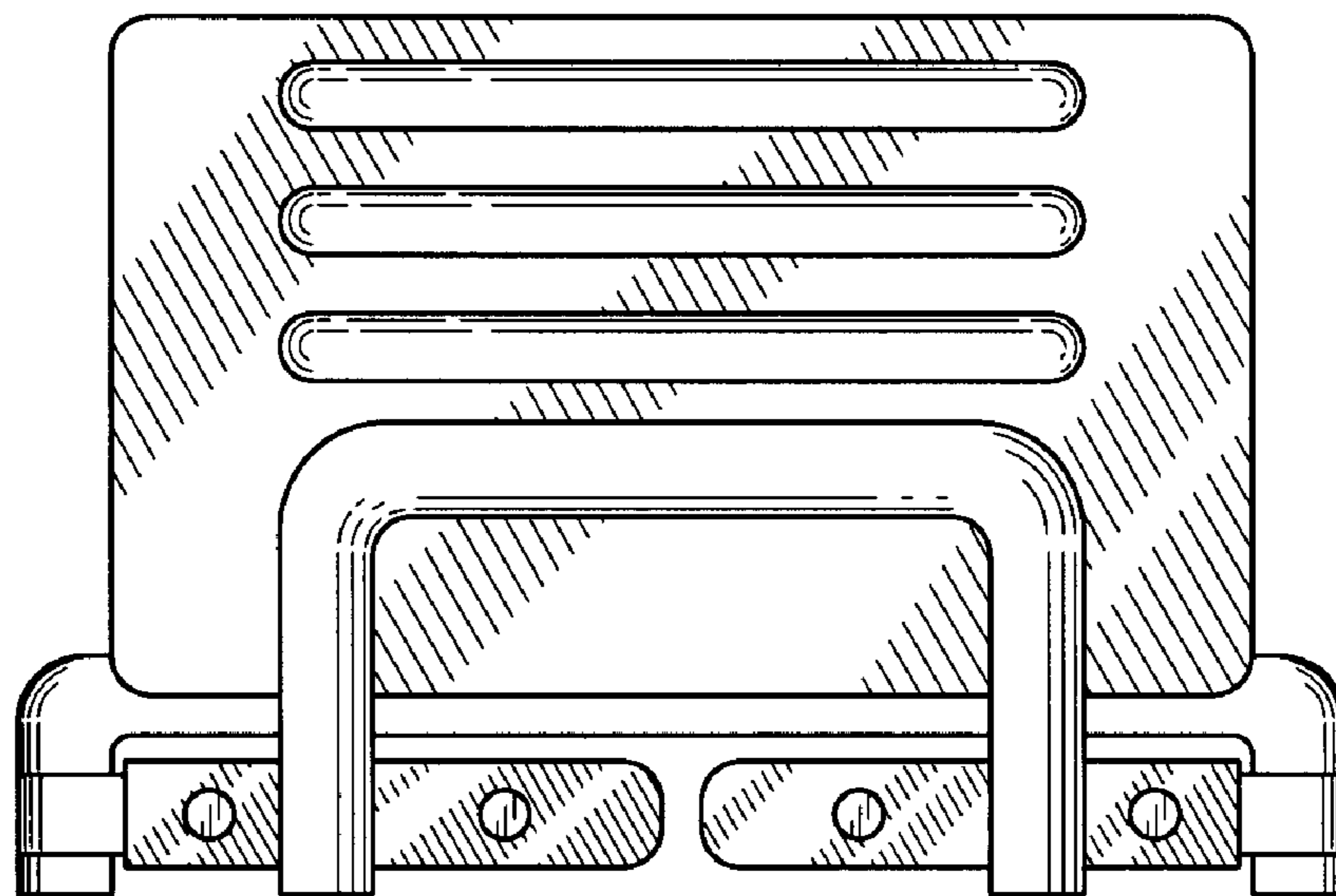


FIG. 3

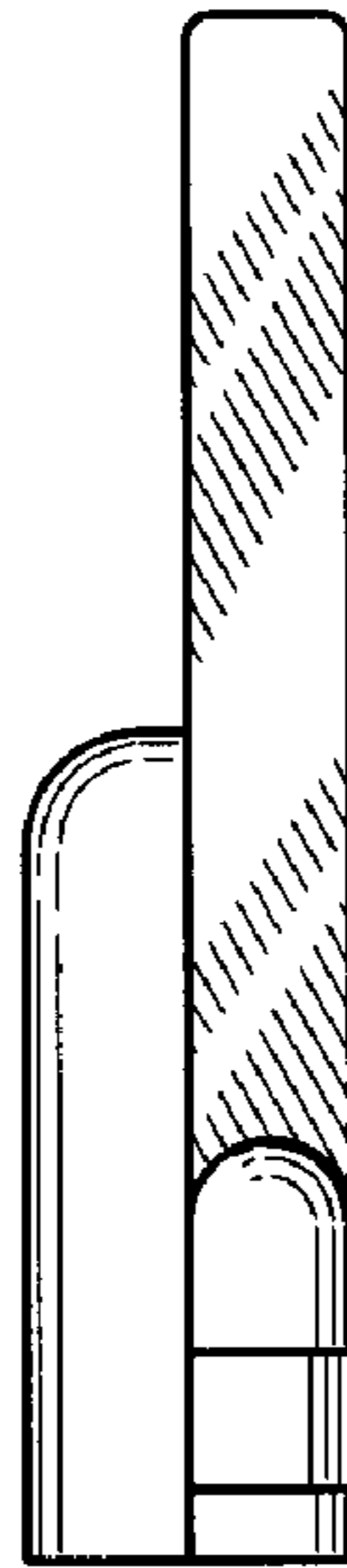


FIG. 4



FIG. 5

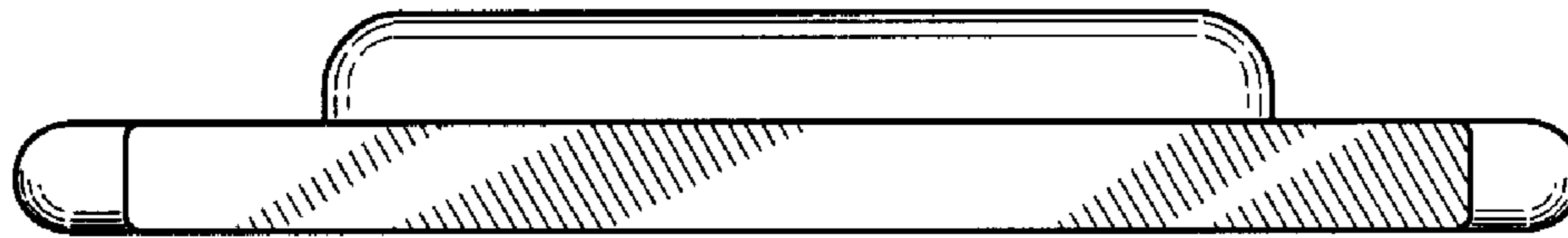


FIG. 6

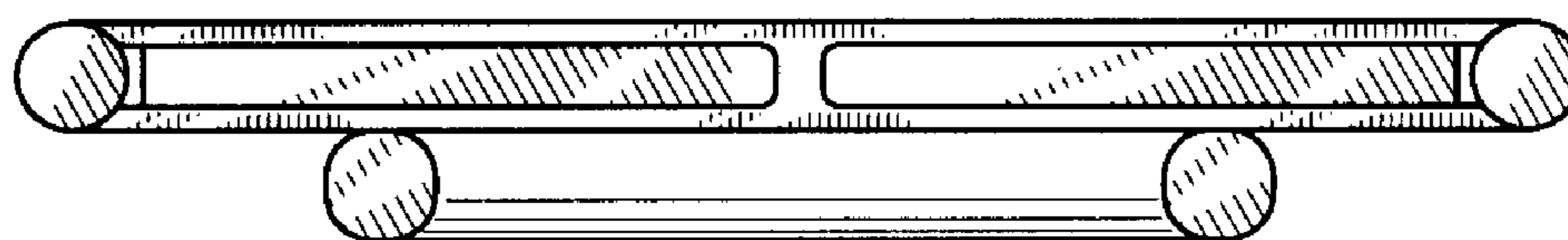


FIG. 7