



US00D526285S

(12) **United States Design Patent**
Voege

(10) **Patent No.:** **US D526,285 S**

(45) **Date of Patent:** **** Aug. 8, 2006**

(54) **TELEVISION SET**

(75) Inventor: **Michael Voege**, Sunnyvale, CA (US)

(73) Assignee: **Hannspree, Inc.**, Taipei (TW)

(**) Term: **14 Years**

(21) Appl. No.: **29/232,263**

(22) Filed: **Jun. 15, 2005**

(51) **LOC (8) Cl.** **14-03**

(52) **U.S. Cl.** **D14/126**

(58) **Field of Classification Search** D14/125-134,
D14/239, 371, 136, 374-377; 312/7.2; 348/836,
348/838, 180, 184, 325, 739; 341/12; 248/917-924,
248/465; 345/104, 133, 156, 168, 87, 173;
720/605, 669, 600, 655; 369/99, 197; 455/344-347
See application file for complete search history.

(56) **References Cited**

U.S. PATENT DOCUMENTS

D414,754 S	*	10/1999	Jung	D14/375
D431,537 S	*	10/2000	Saeki et al.	D14/126
D454,845 S	*	3/2002	Niitsu	D14/126
D458,236 S	*	6/2002	Bong et al.	D14/126
D471,169 S	*	3/2003	Izu et al.	D14/126
D473,557 S	*	4/2003	Borsboom et al.	D14/374
D478,080 S	*	8/2003	Wu	D14/374
D479,209 S	*	9/2003	Teng et al.	D14/126

D481,725 S	*	11/2003	Lin	D14/375
D489,341 S	*	5/2004	Liu et al.	D14/126
D493,430 S	*	7/2004	Hussaini et al.	D14/126
D497,166 S	*	10/2004	Vick	D14/375
D499,098 S	*	11/2004	Ta	D14/375
D502,154 S	*	2/2005	Peng	D14/126
D502,451 S	*	3/2005	Kita	D14/126
D506,189 S	*	6/2005	Buckle	D14/126
D512,387 S	*	12/2005	Kita	D14/126

* cited by examiner

Primary Examiner—Raphael Barkai

(74) *Attorney, Agent, or Firm*—Michael A. Glenn; Glenn Patent Group

(57) **CLAIM**

The ornamental design for “a television set,” as shown and described.

DESCRIPTION

FIG. 1 is a perspective view of a television set showing my new design.

FIG. 2 is a front view thereof;

FIG. 3 is a rear view thereof;

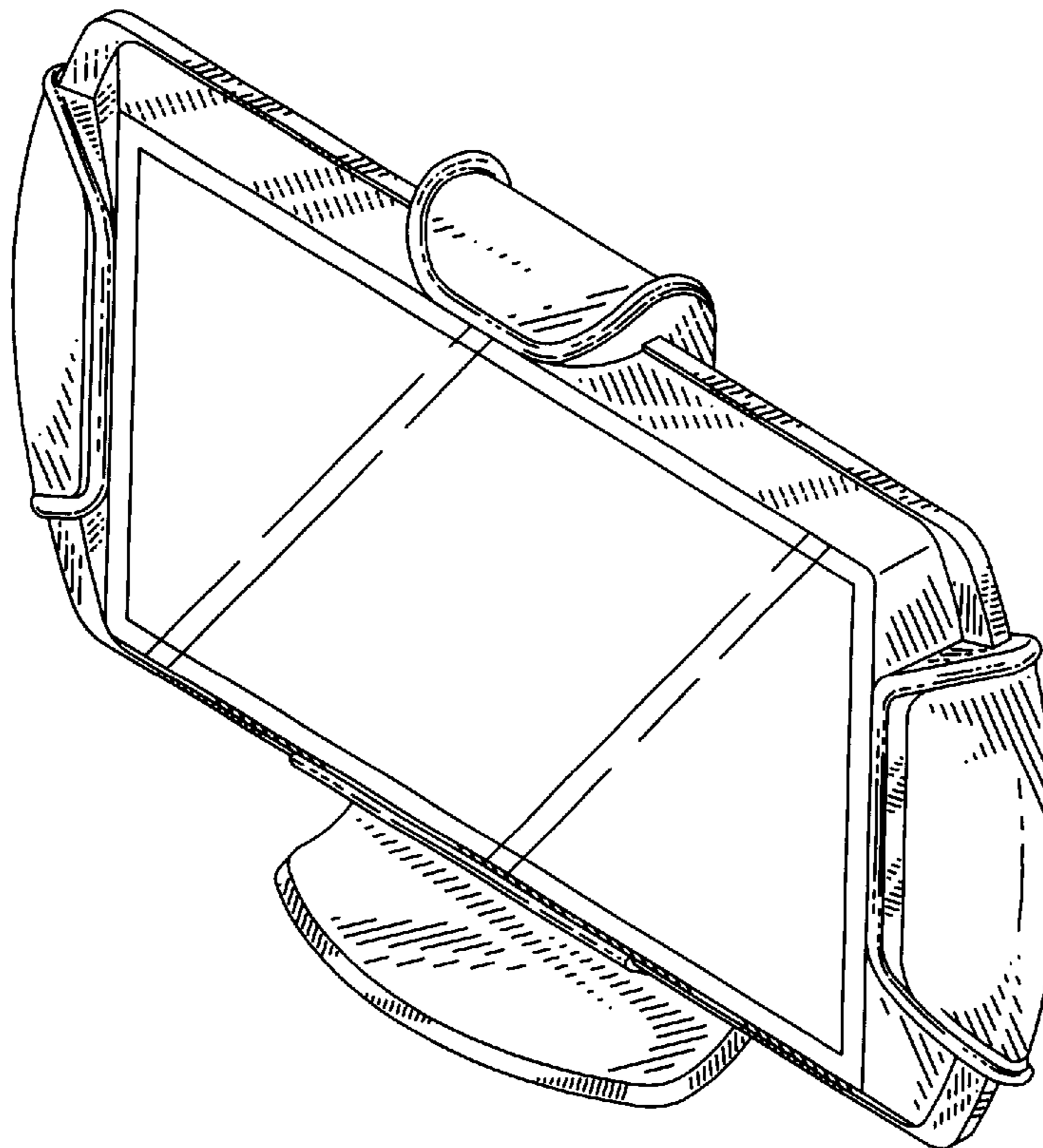
FIG. 4 is a left side view thereof;

FIG. 5 is a right side view thereof;

FIG. 6 is a top plan view thereof; and,

FIG. 7 is a bottom plan view thereof.

1 Claim, 4 Drawing Sheets



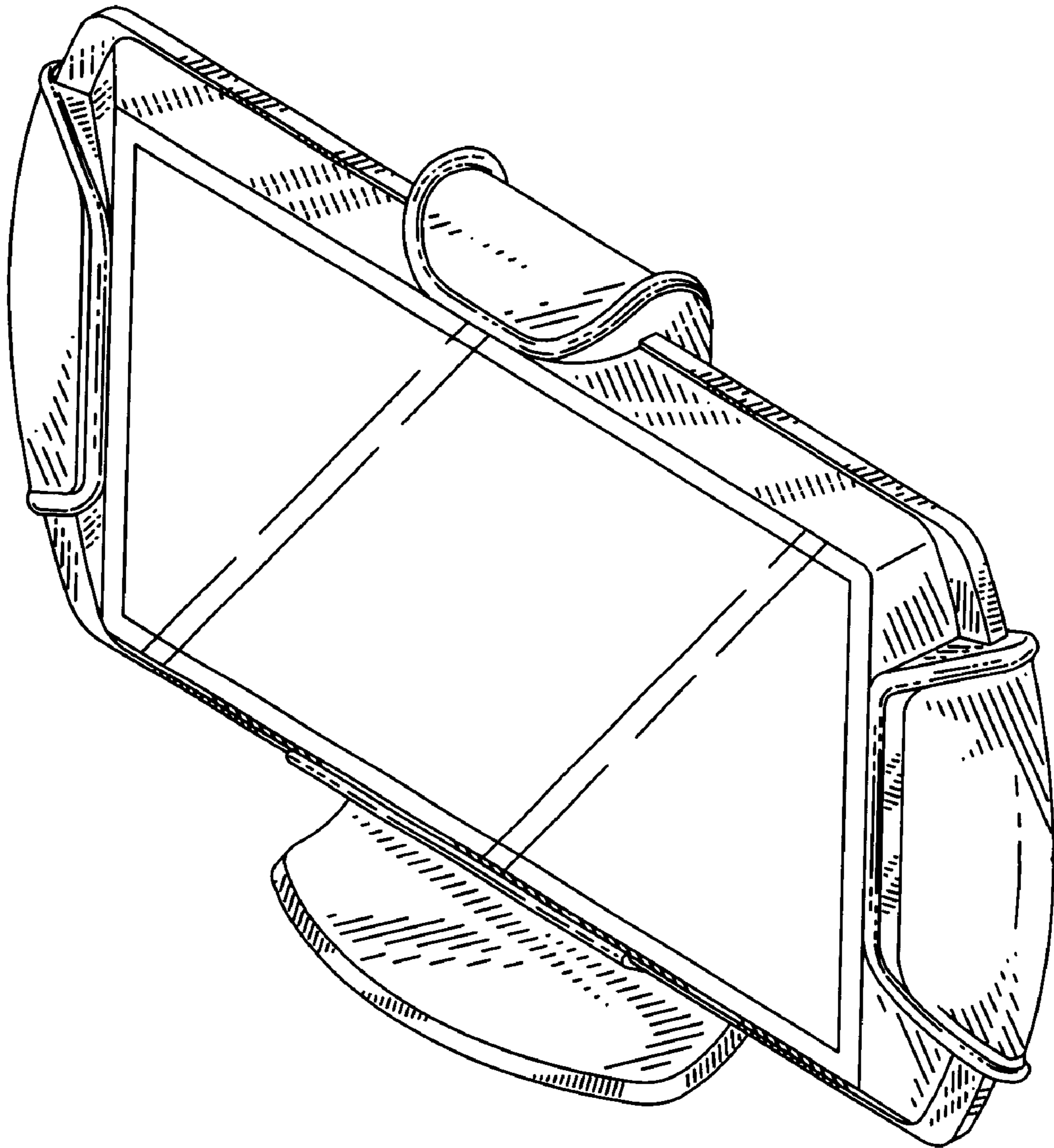


FIG. 1

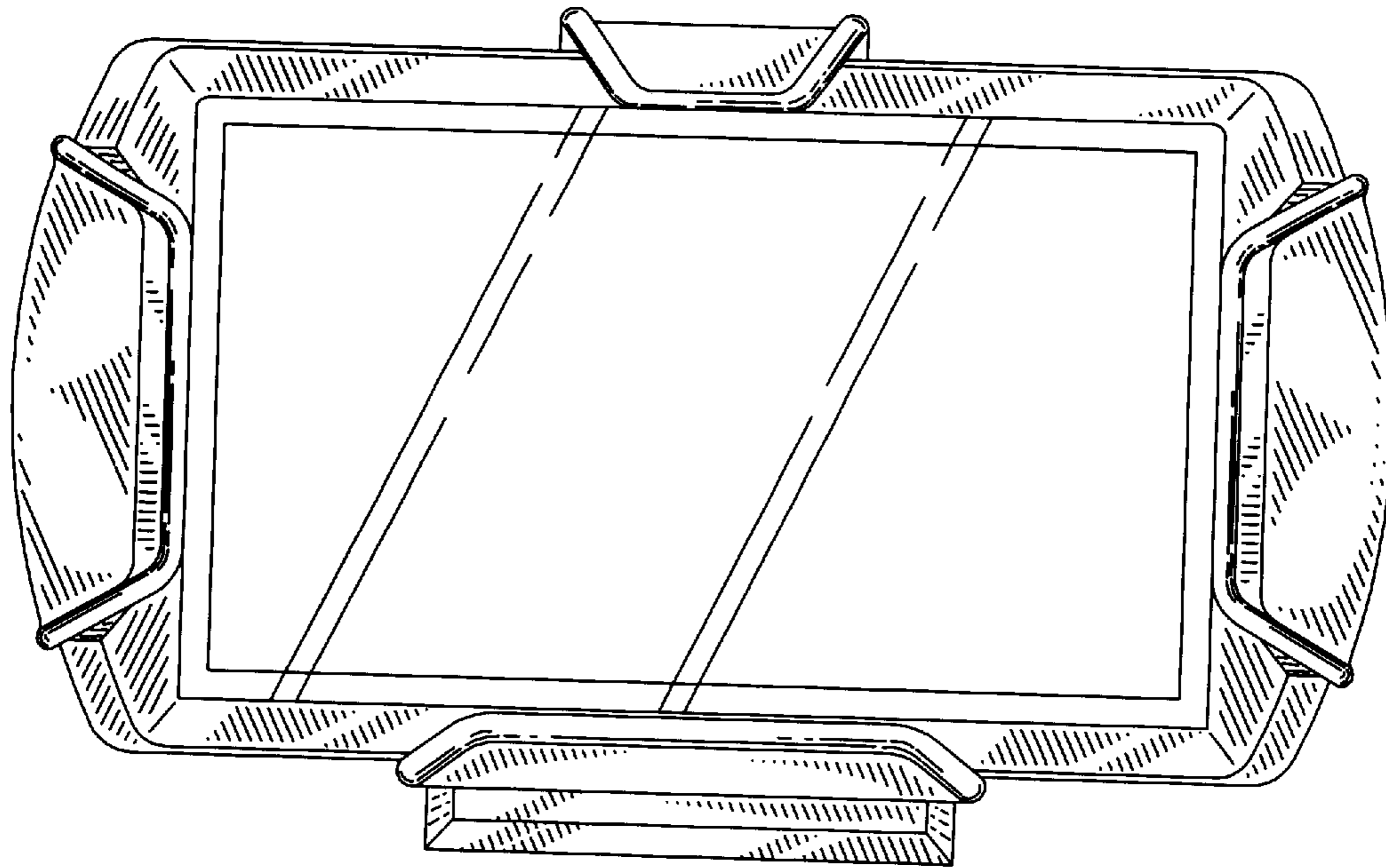


FIG. 2

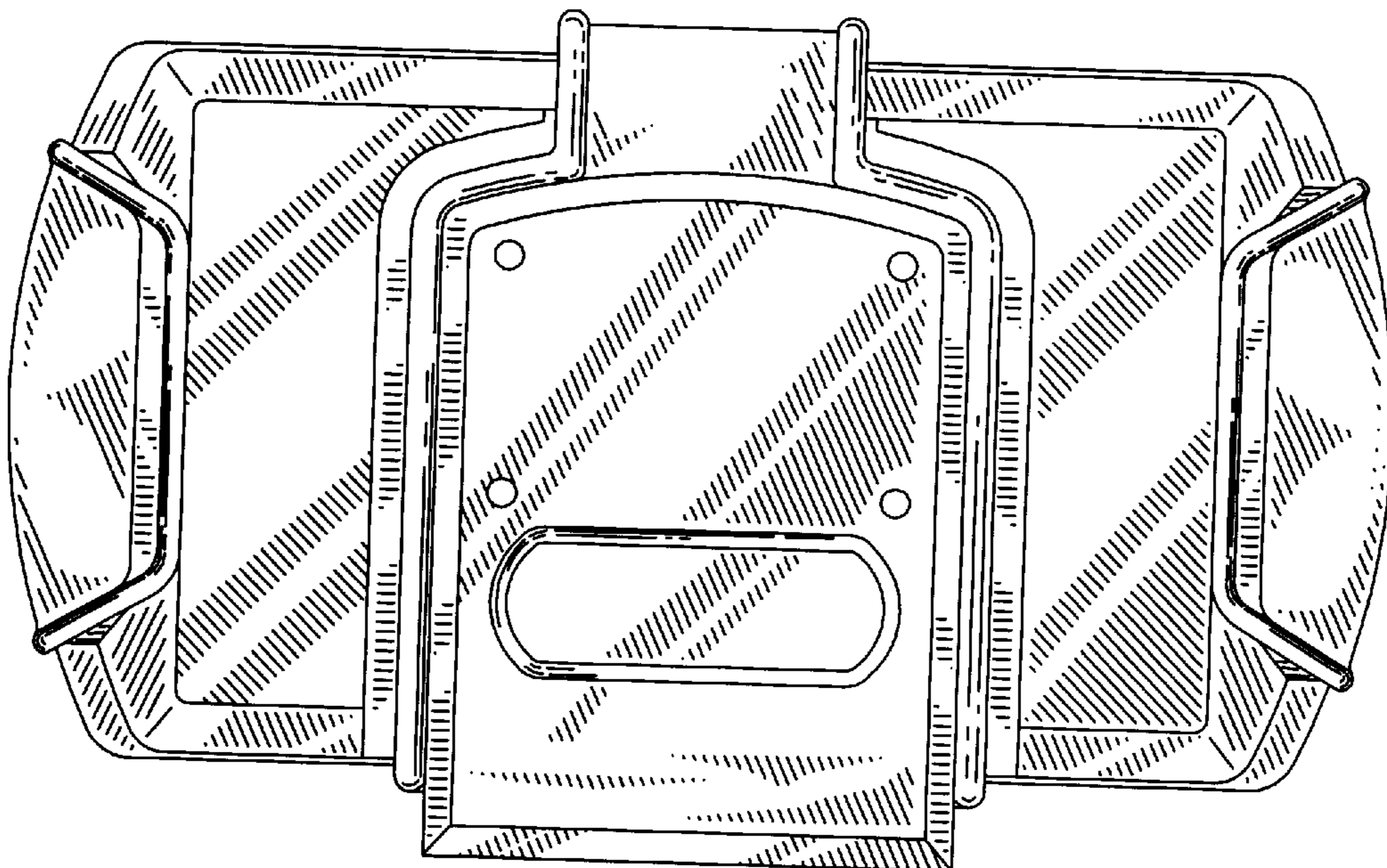


FIG. 3

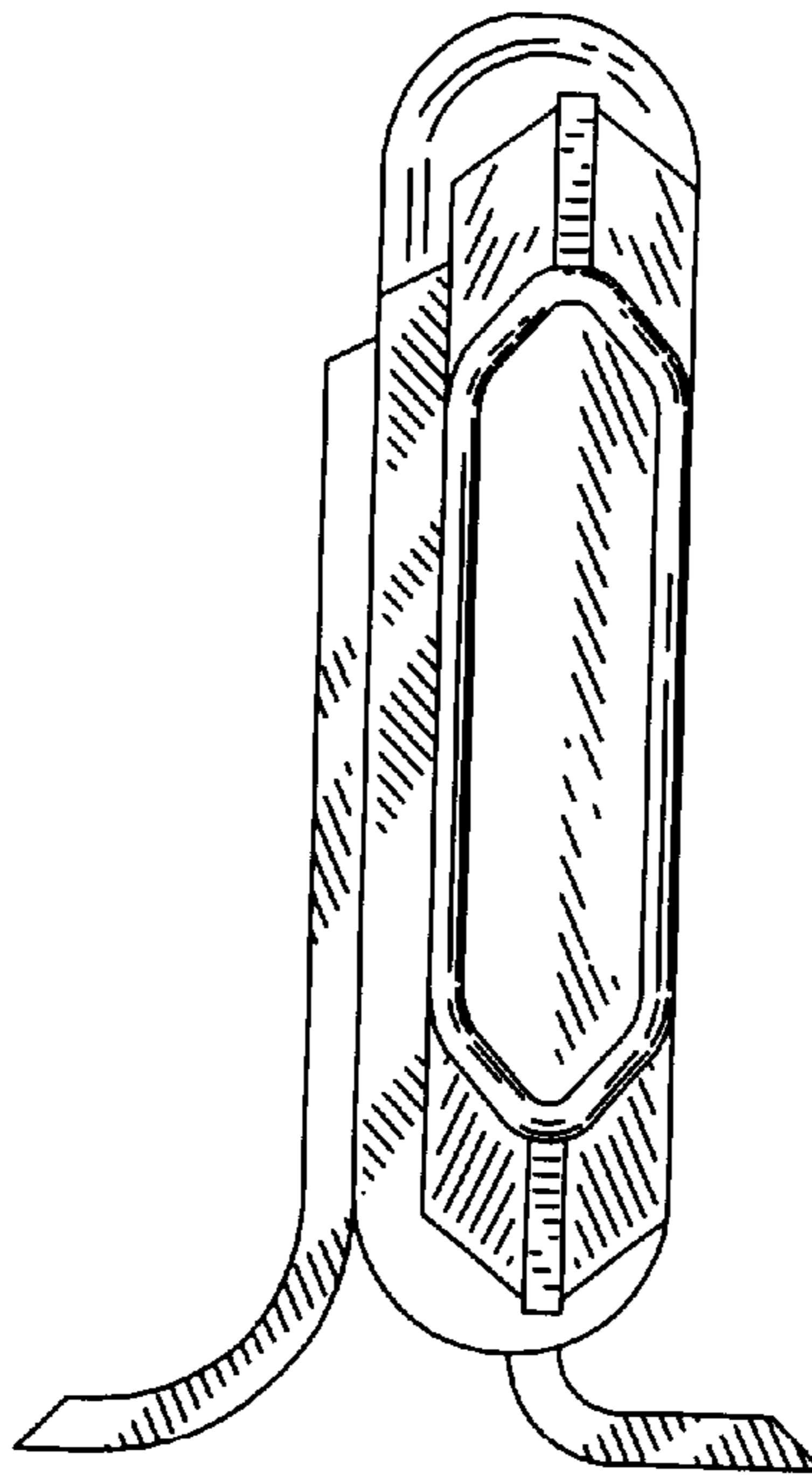


FIG. 4

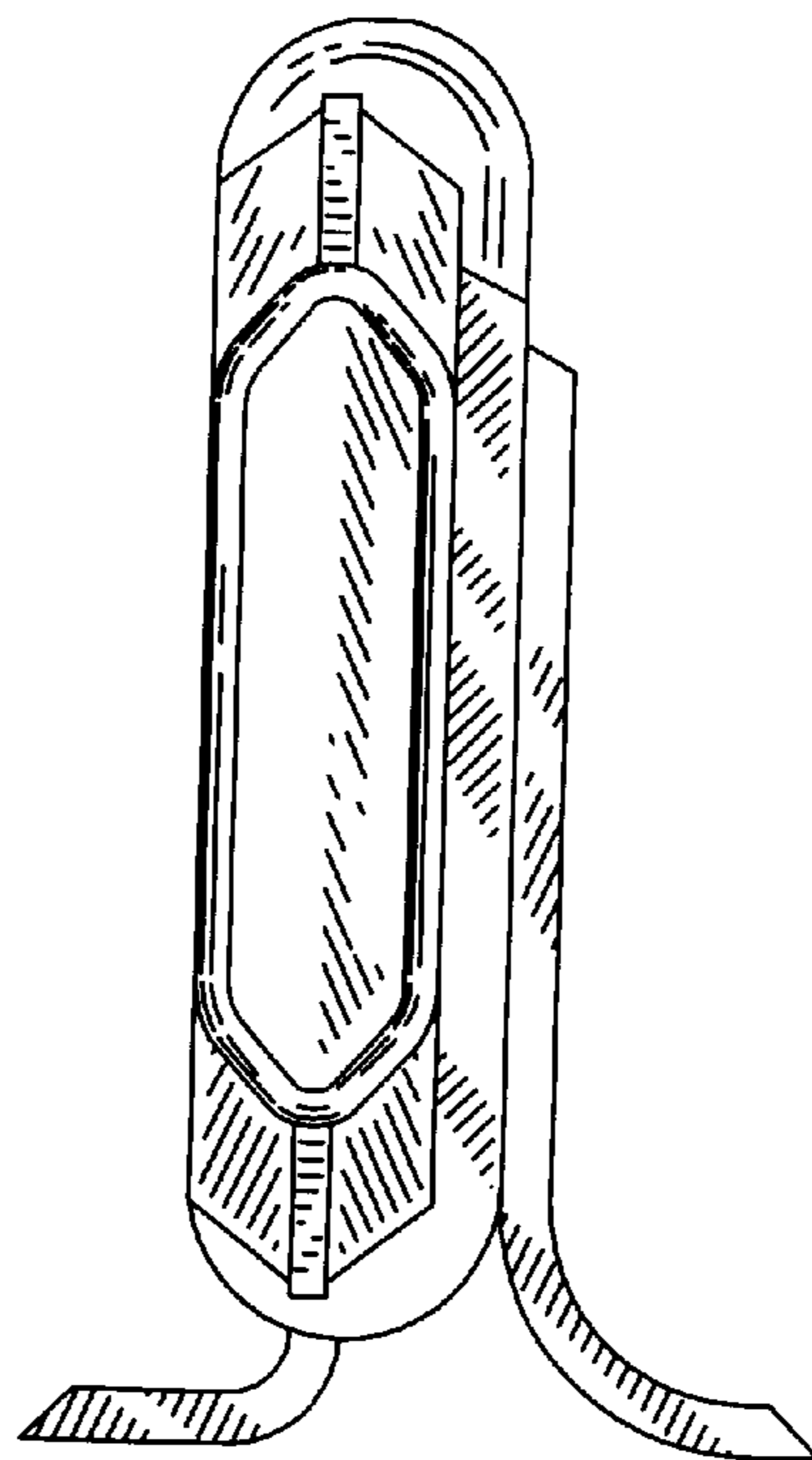


FIG. 5

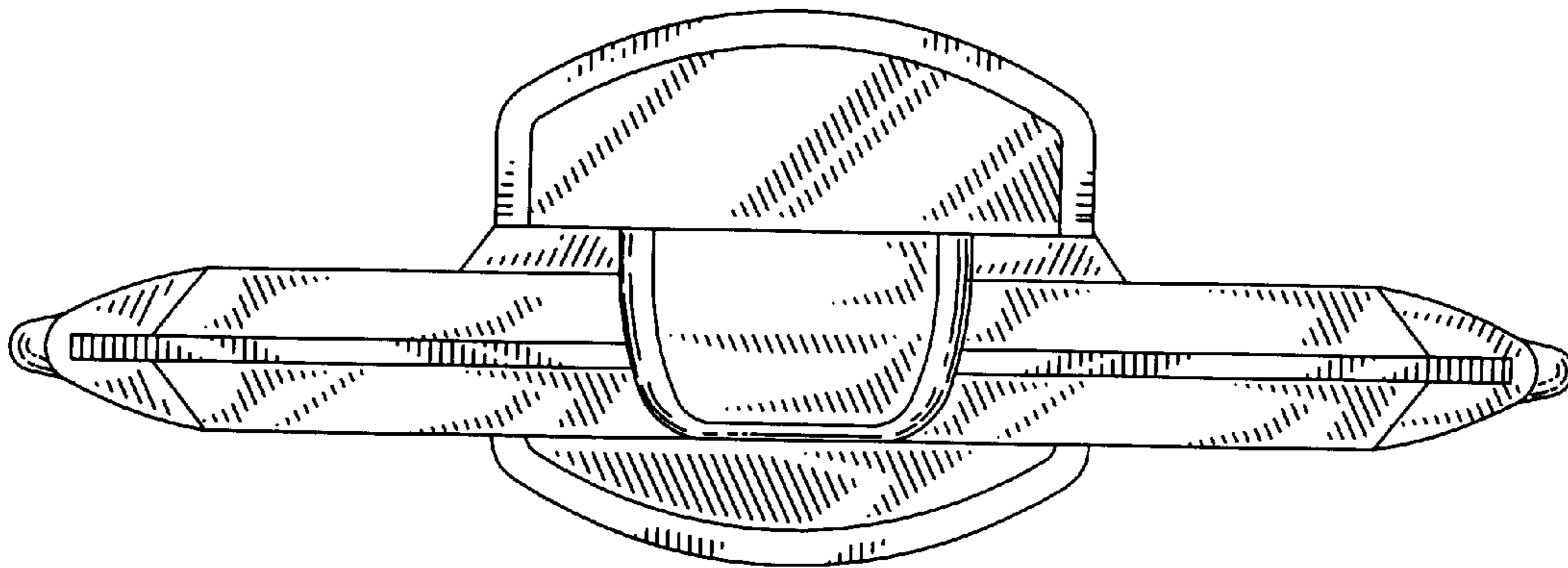


FIG. 6

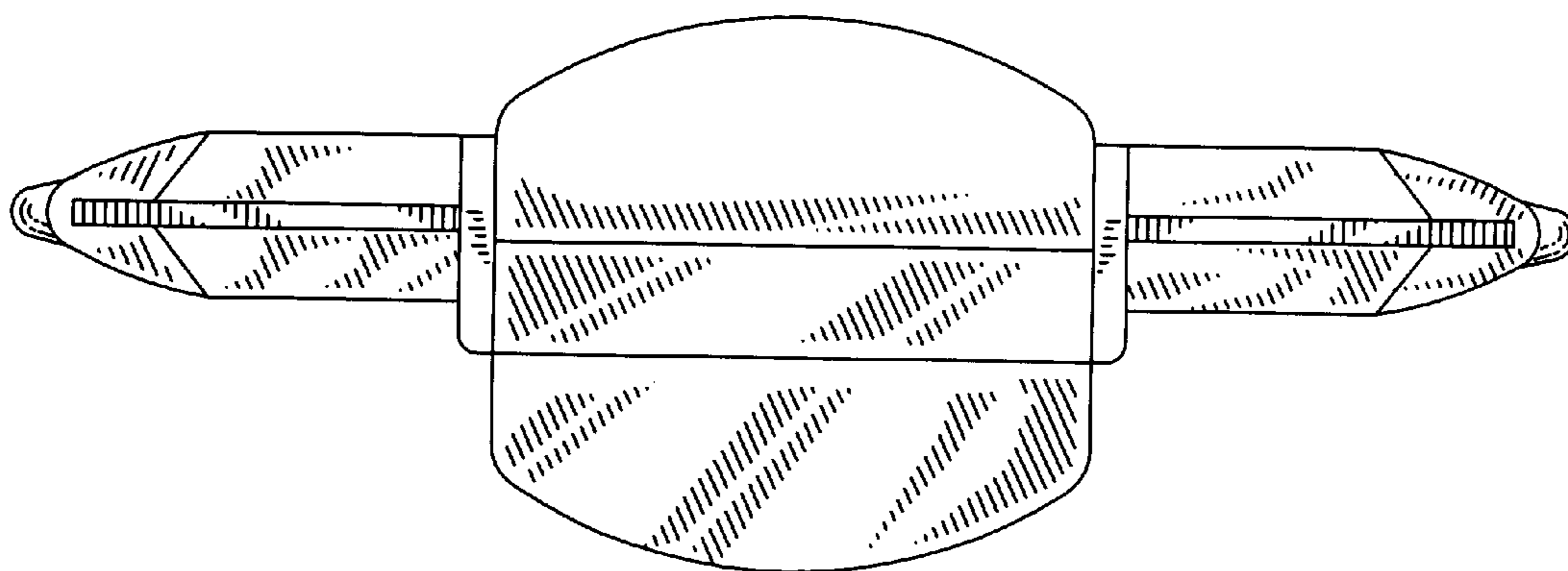


FIG. 7