

US00D526284S

(12) **United States Design Patent**
Lin

(10) **Patent No.:** **US D526,284 S**

(45) **Date of Patent:** **** Aug. 8, 2006**

(54) **TELEVISION SET**

(75) Inventor: **Roger Lin**, Taipei (TW)

(73) Assignee: **Hanspree, Inc.** (TW)

(**) Term: **14 Years**

D456,049 S	*	4/2002	Hood	D21/515
D458,910 S	*	6/2002	Kita	D14/126
D474,468 S	*	5/2003	Zuege et al.	D14/374
D493,153 S	*	7/2004	Zhai et al.	D14/126
D496,660 S	*	9/2004	Liu	D14/371
D497,351 S	*	10/2004	Kita	D14/134
D497,885 S	*	11/2004	Esslinger et al.	D14/126

(21) Appl. No.: **29/230,231**

(22) Filed: **May 19, 2005**

(30) **Foreign Application Priority Data**

Dec. 13, 2004 (TW) 93307600

(51) **LOC (8) Cl.** **14-03**

(52) **U.S. Cl.** **D14/126; D14/129**

(58) **Field of Classification Search** D14/125-134,
D14/239, 371, 136, 374-376; 312/7.2; 348/836,
348/838, 180, 184, 325, 739; 341/12; 248/917-924,
248/465; 345/104, 133, 156, 168, 87, 173;
720/605, 669, 600, 655; 369/99, 197; 455/344-347
See application file for complete search history.

(56) **References Cited**

U.S. PATENT DOCUMENTS

5,072,998 A	*	12/1991	Oh	312/7.2
D406,613 S	*	3/1999	Nakanishi	D21/329
D438,849 S	*	3/2001	Adachi et al.	D14/132
D448,810 S	*	10/2001	Goto	D21/332

OTHER PUBLICATIONS

Hong Kong Toys, p. 190, Feb. 1997.*

* cited by examiner

Primary Examiner—Raphael Barkai

(74) *Attorney, Agent, or Firm*—Lowe Hauptman & Berner, LLP

(57) **CLAIM**

The ornamental design for a television set, as shown.

DESCRIPTION

FIG. 1 is a perspective view of a television set showing my new design;

FIG. 2 is a front view thereof;

FIG. 3 is a rear view thereof;

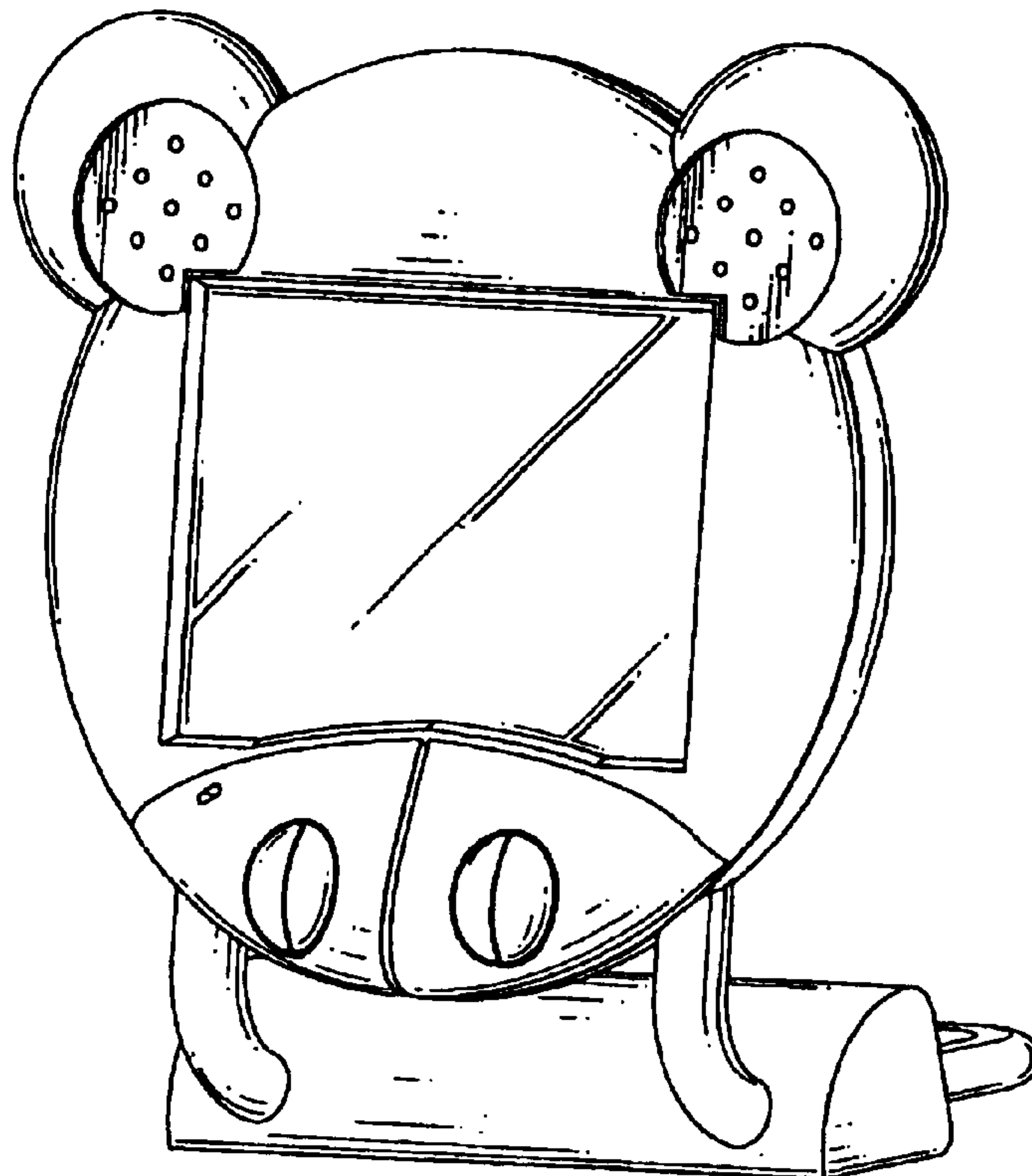
FIG. 4 is a left view thereof;

FIG. 5 is a right view thereof;

FIG. 6 is a top view thereof; and,

FIG. 7 is a bottom view thereof.

1 Claim, 4 Drawing Sheets



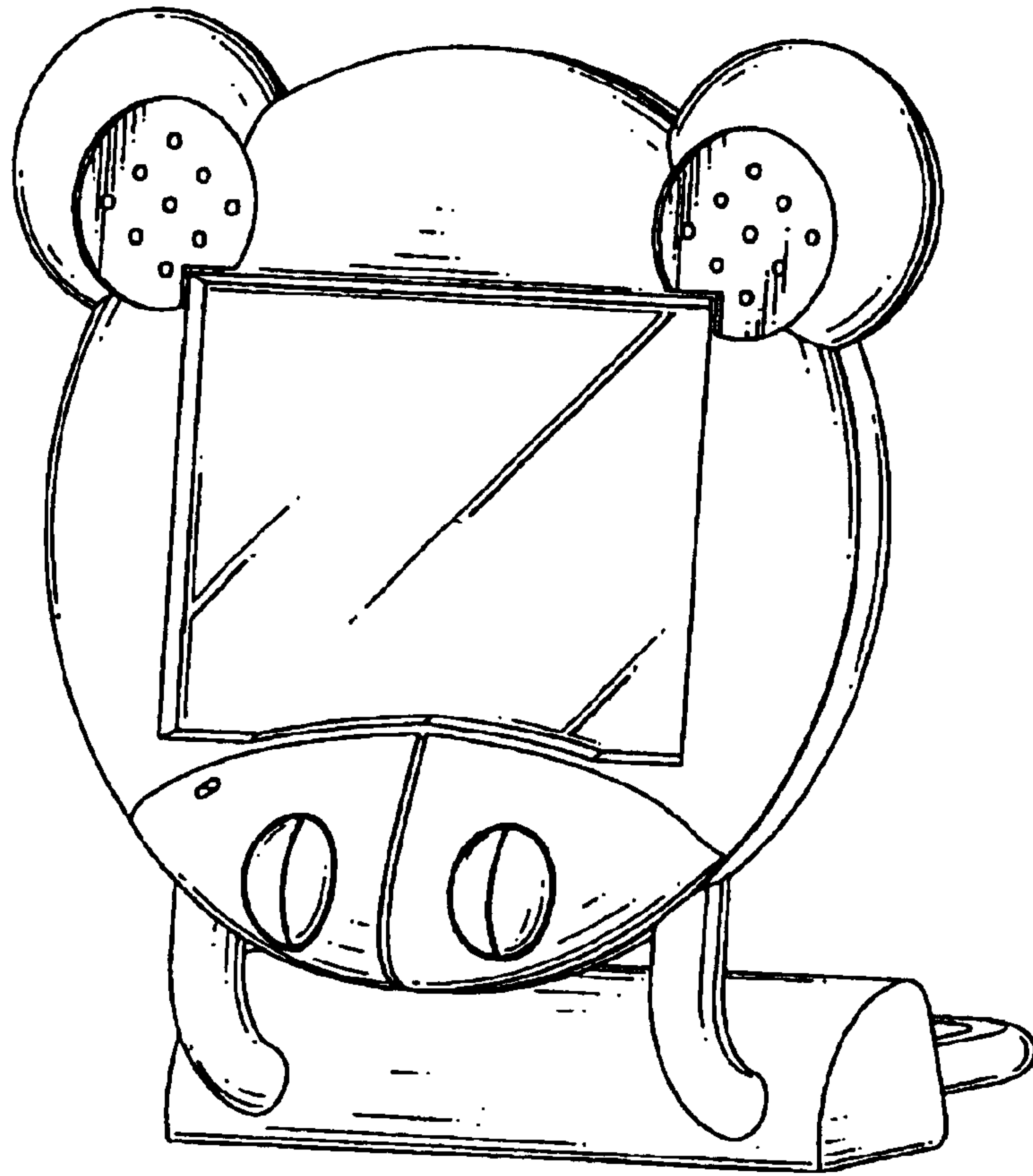


FIG. 1

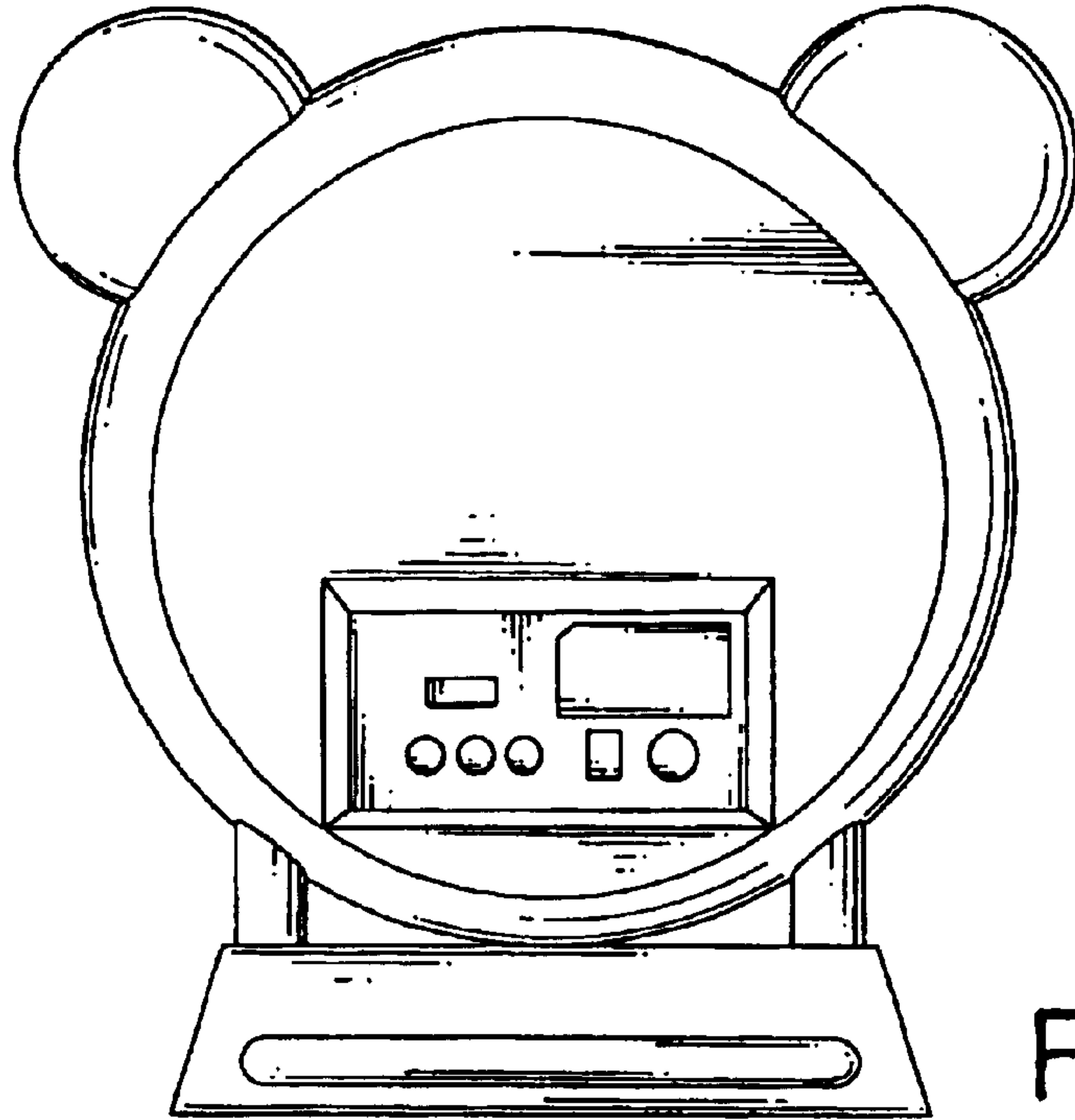


FIG. 3

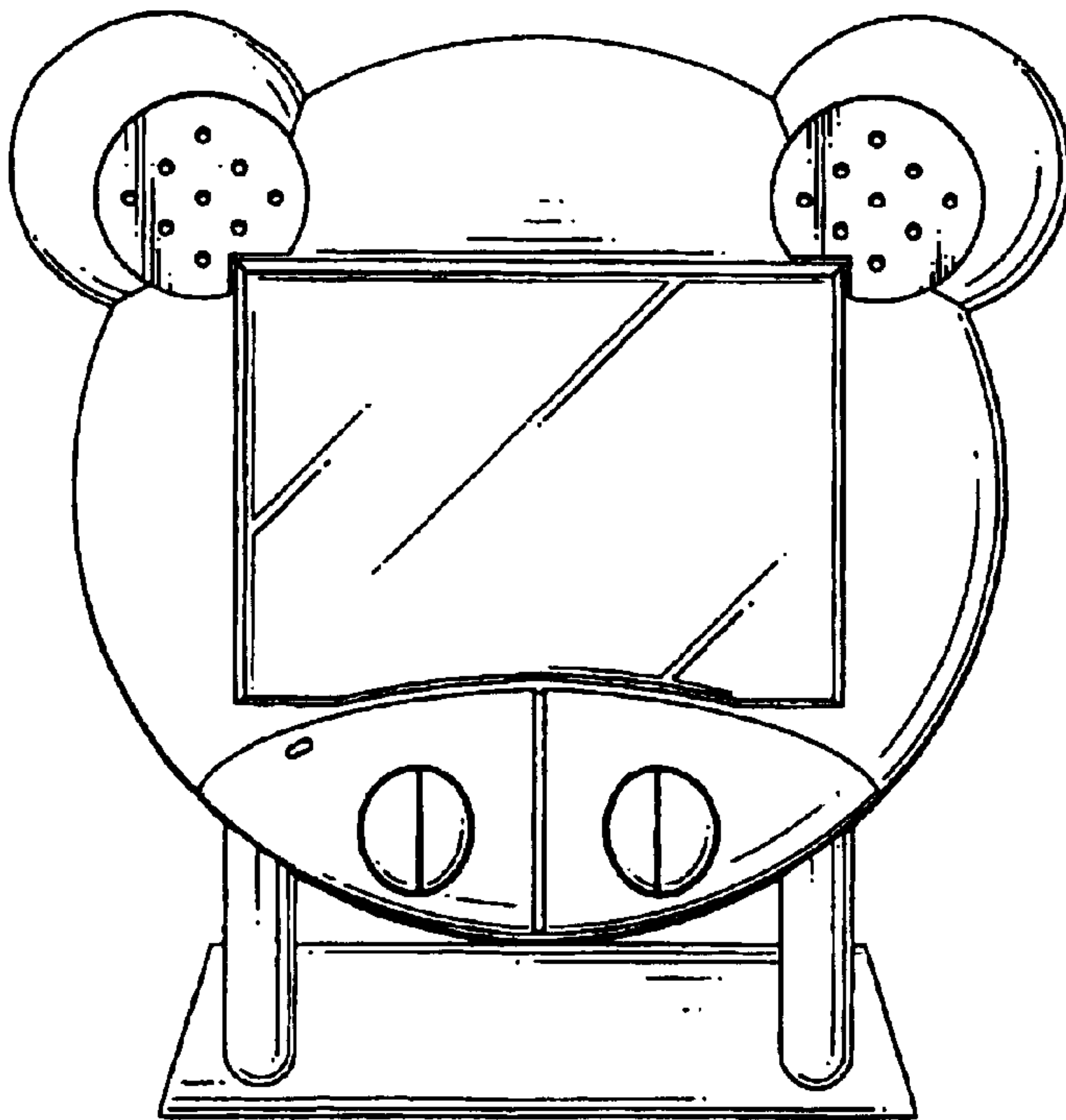


FIG. 2

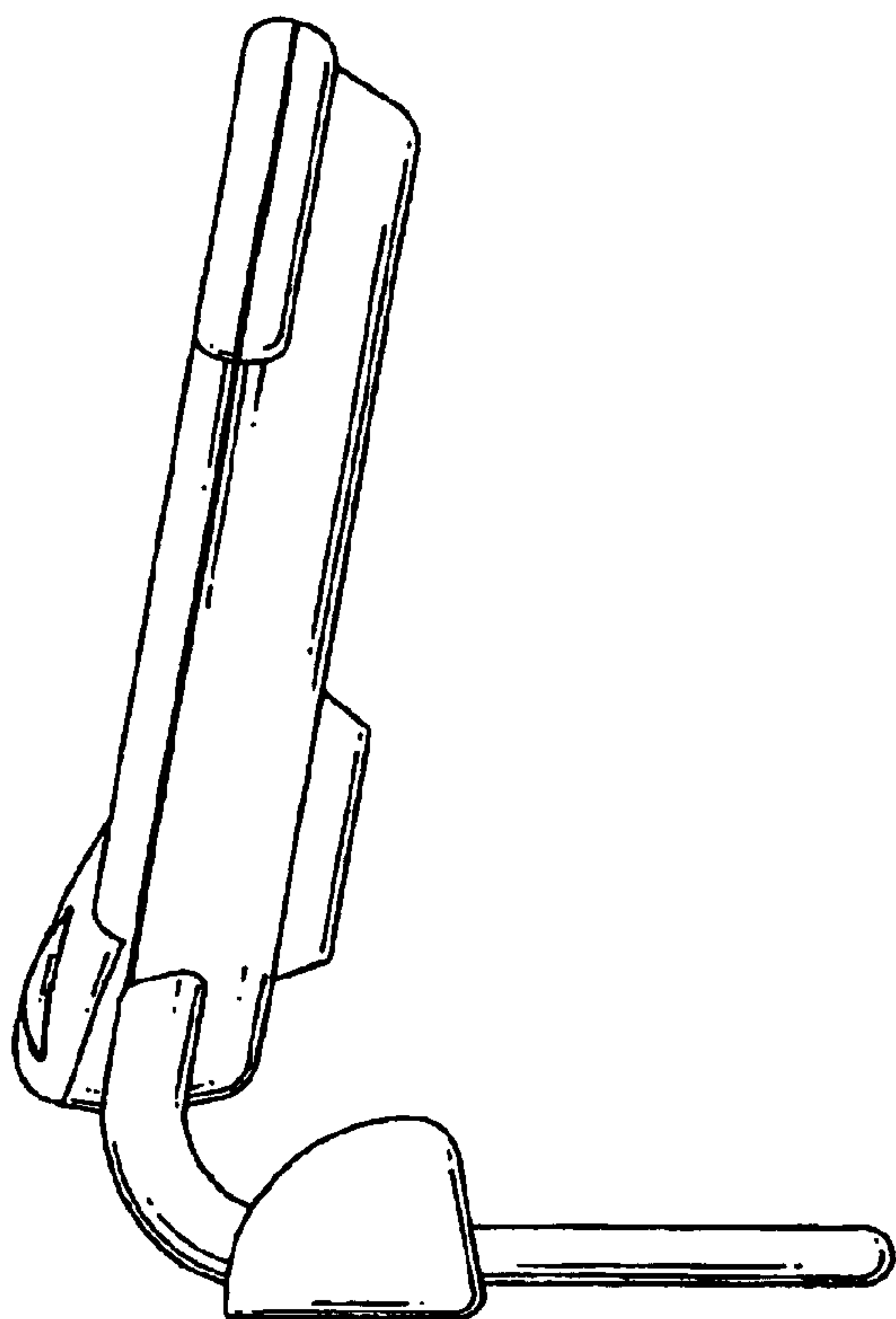


FIG. 5

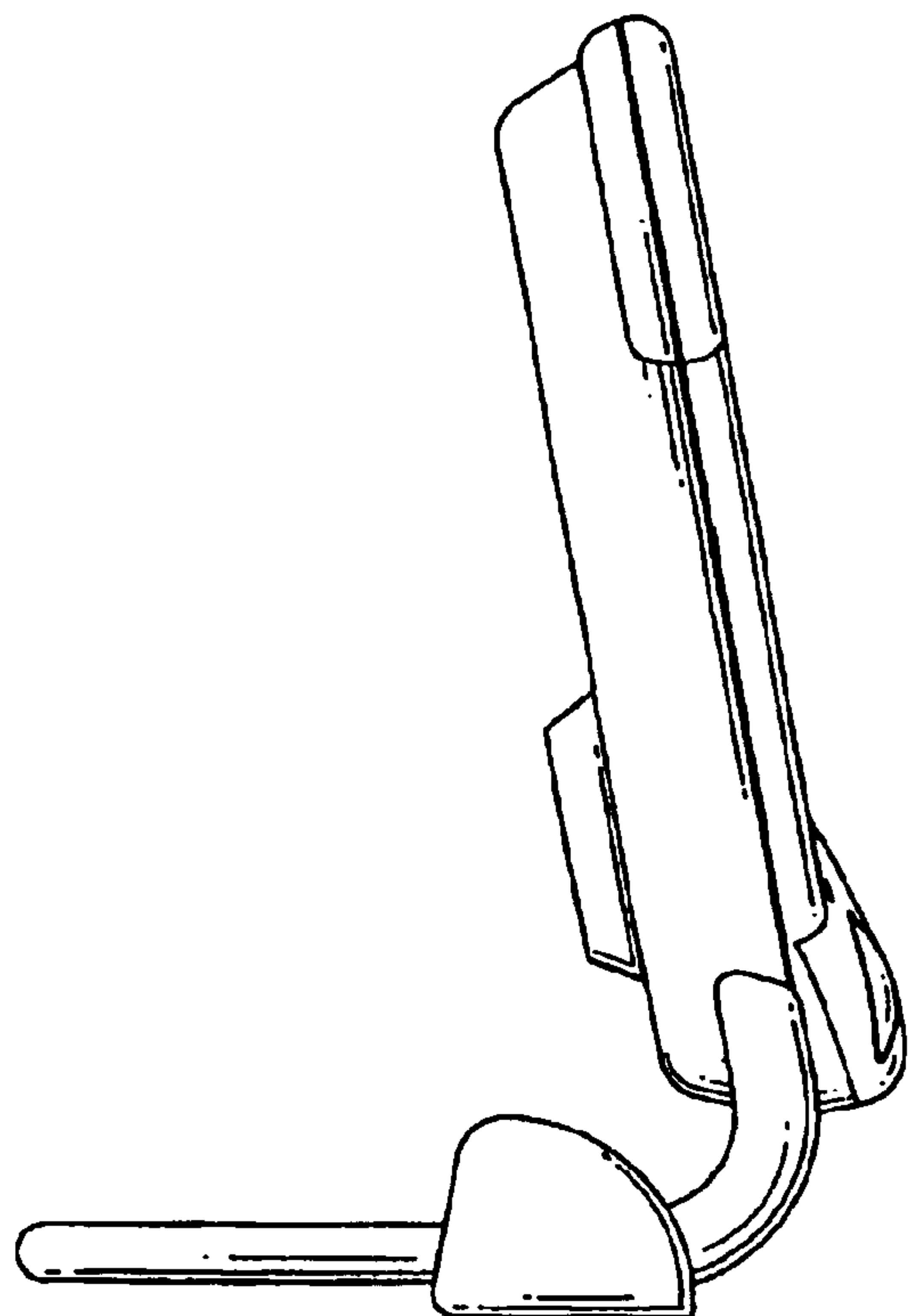


FIG. 4

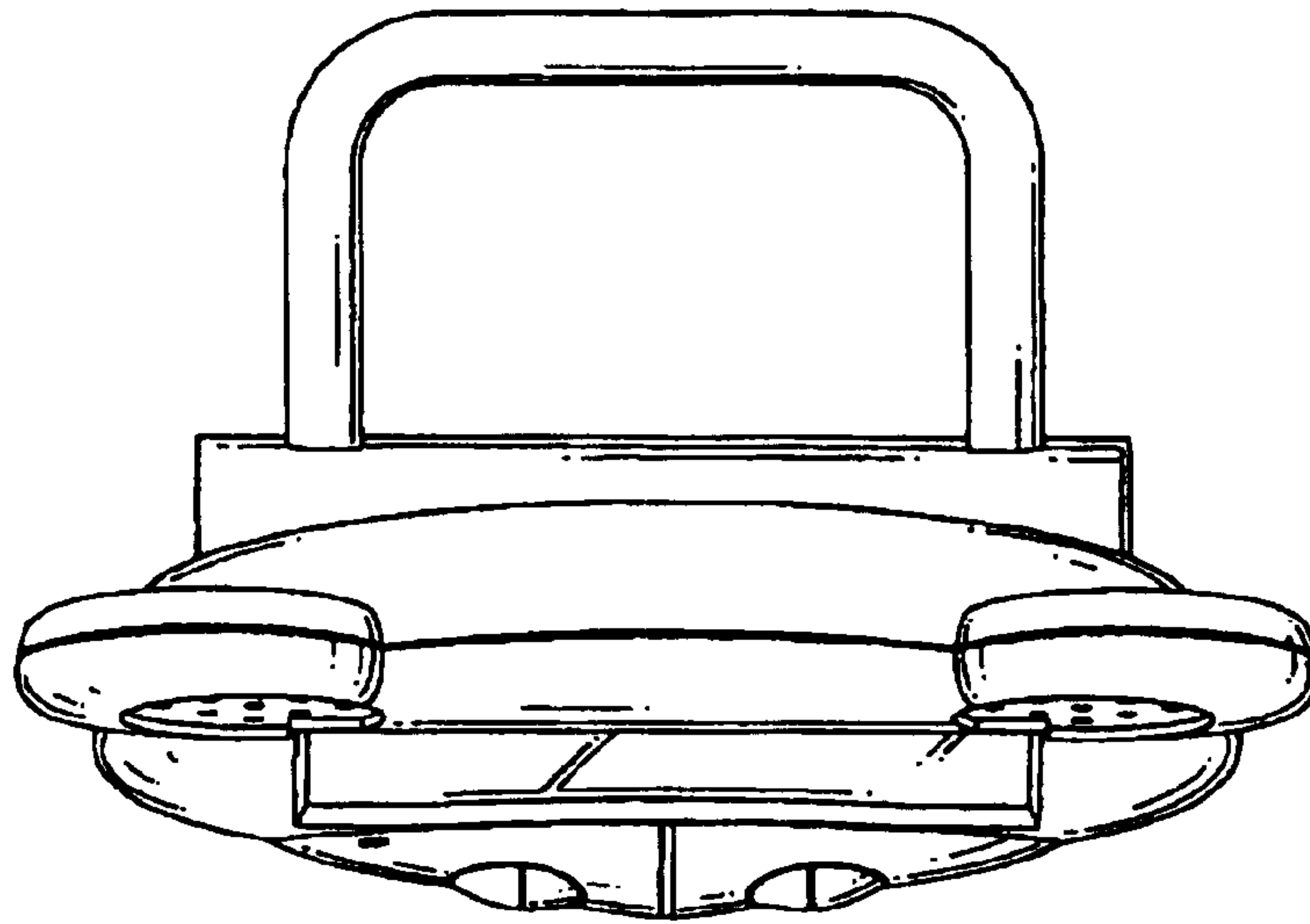


FIG. 6

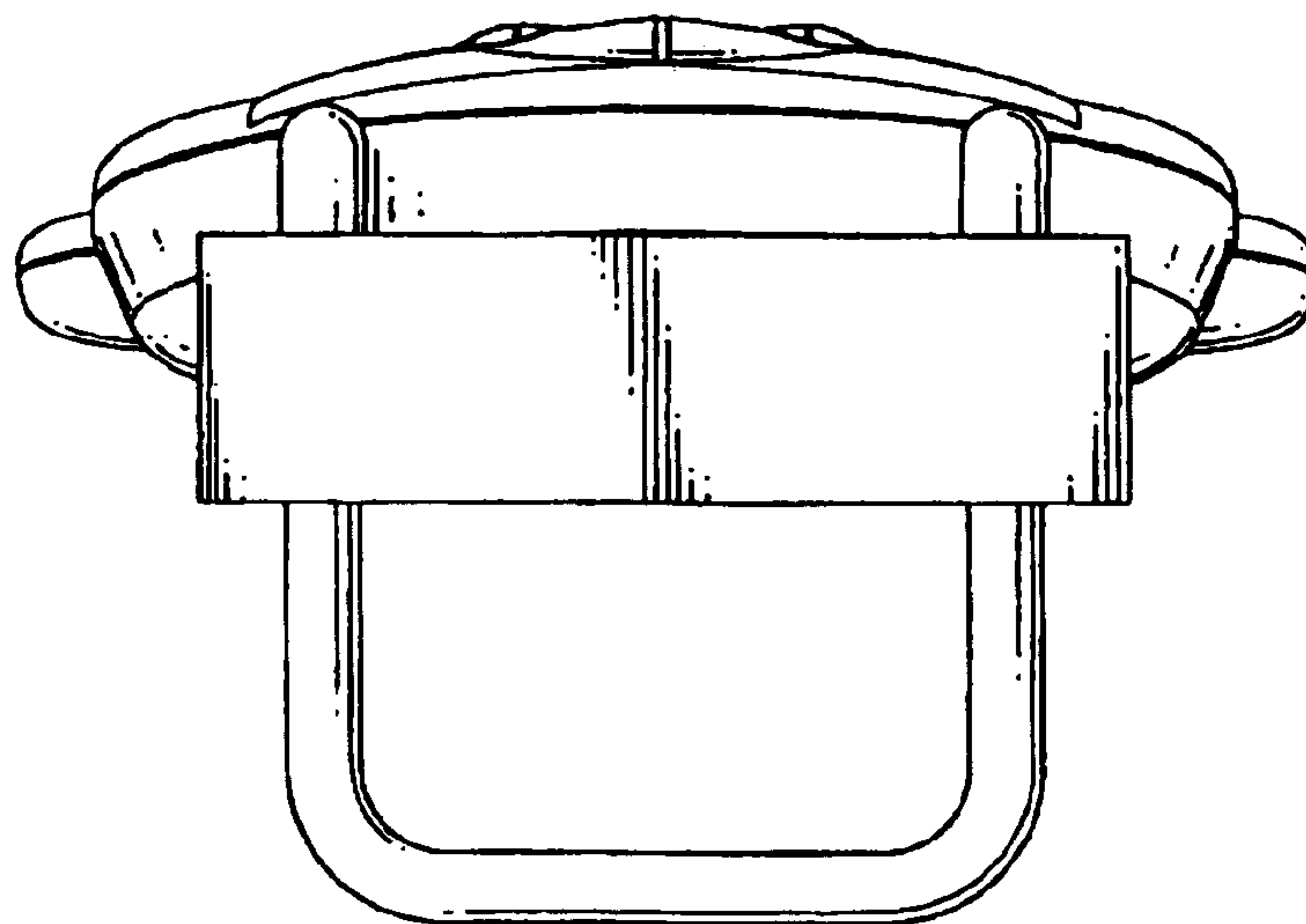


FIG. 7