



US00D526280S

(12) **United States Design Patent**  
**Nakamura**

(10) **Patent No.:** **US D526,280 S**

(45) **Date of Patent:** **\*\* Aug. 8, 2006**

(54) **REMOTE CONTROLLER**

JP D1205293 S 5/2004  
JP D1205294 S 5/2004

(75) Inventor: **Toshihiro Nakamura**, Tokyo (JP)

\* cited by examiner

(73) Assignee: **Sony Corporation**, Tokyo (JP)

*Primary Examiner*—Selina Sikder

(\*\*) Term: **14 Years**

(74) *Attorney, Agent, or Firm*—Rader, Fishman & Grauer PLLC

(21) Appl. No.: **29/209,027**

(57) **CLAIM**

(22) Filed: **Jul. 12, 2004**

The ornamental design for a remote controller, as shown and described.

(51) **LOC (8) Cl.** ..... **13-03**

(52) **U.S. Cl.** ..... **D13/168**

(58) **Field of Classification Search** ..... D13/168;  
D10/104, 106; D14/218, 247; 340/825.22,  
340/825.24, 825.25, 825.31, 825.36, 825.69,  
340/825.71, 825.72; 341/20, 22, 173, 176;  
348/734; 455/100, 151.1–151.4, 352–355;  
463/39; 700/17, 18, 19, 22, 83

See application file for complete search history.

**DESCRIPTION**

(56) **References Cited**

**U.S. PATENT DOCUMENTS**

D408,821 S	4/1999	Takahashi	
D420,668 S	* 2/2000	Choi	D14/218
D441,760 S	5/2001	Hibino	
D450,337 S	* 11/2001	Hamamura	D16/237
D450,338 S	* 11/2001	Hamamura	D16/237
D467,578 S	* 12/2002	Ichijima et al.	D14/218
D477,590 S	* 7/2003	Ahn	D14/218
D504,872 S	* 5/2005	Uehara et al.	D13/168
D504,886 S	* 5/2005	Yasutomi	D14/218
D509,481 S	* 9/2005	Murtaugh et al.	D13/168

**FOREIGN PATENT DOCUMENTS**

JP	D1070339 S	5/2000
JP	D1071741 S	5/2000
JP	D1084013 S	9/2000
JP	D1103982 S	3/2001
JP	D1120873 S	9/2001

FIG. 1 is a front right top perspective view of a remote controller showing my new design;  
 FIG. 2 is a rear left top perspective view thereof;  
 FIG. 3 is a front elevational view thereof;  
 FIG. 4 is a rear elevational view thereof;  
 FIG. 5 is a left side elevational view thereof;  
 FIG. 6 is a right side elevational view thereof;  
 FIG. 7 is a top plan view thereof;  
 FIG. 8 is a bottom plan view thereof;  
 FIG. 9 is a front right top perspective view of the remote controller in the open position;  
 FIG. 10 is a rear left top perspective view thereof;  
 FIG. 11 is a front elevational view thereof;  
 FIG. 12 is a rear elevational view thereof;  
 FIG. 13 is a left side elevational view thereof;  
 FIG. 14 is a right side elevational view thereof;  
 FIG. 15 is a top plan view thereof;  
 FIG. 16 is a bottom plan view thereof;  
 FIG. 17 is a reference front view thereof showing a line XVIII—XVIII; and,  
 FIG. 18 is a reference cross-sectional view thereof taken along the line XVIII—XVIII of FIG. 17.  
 Portions of Figures that are shown as broken lines are for illustrative purpose only and form no part of the claimed design.

**1 Claim, 18 Drawing Sheets**

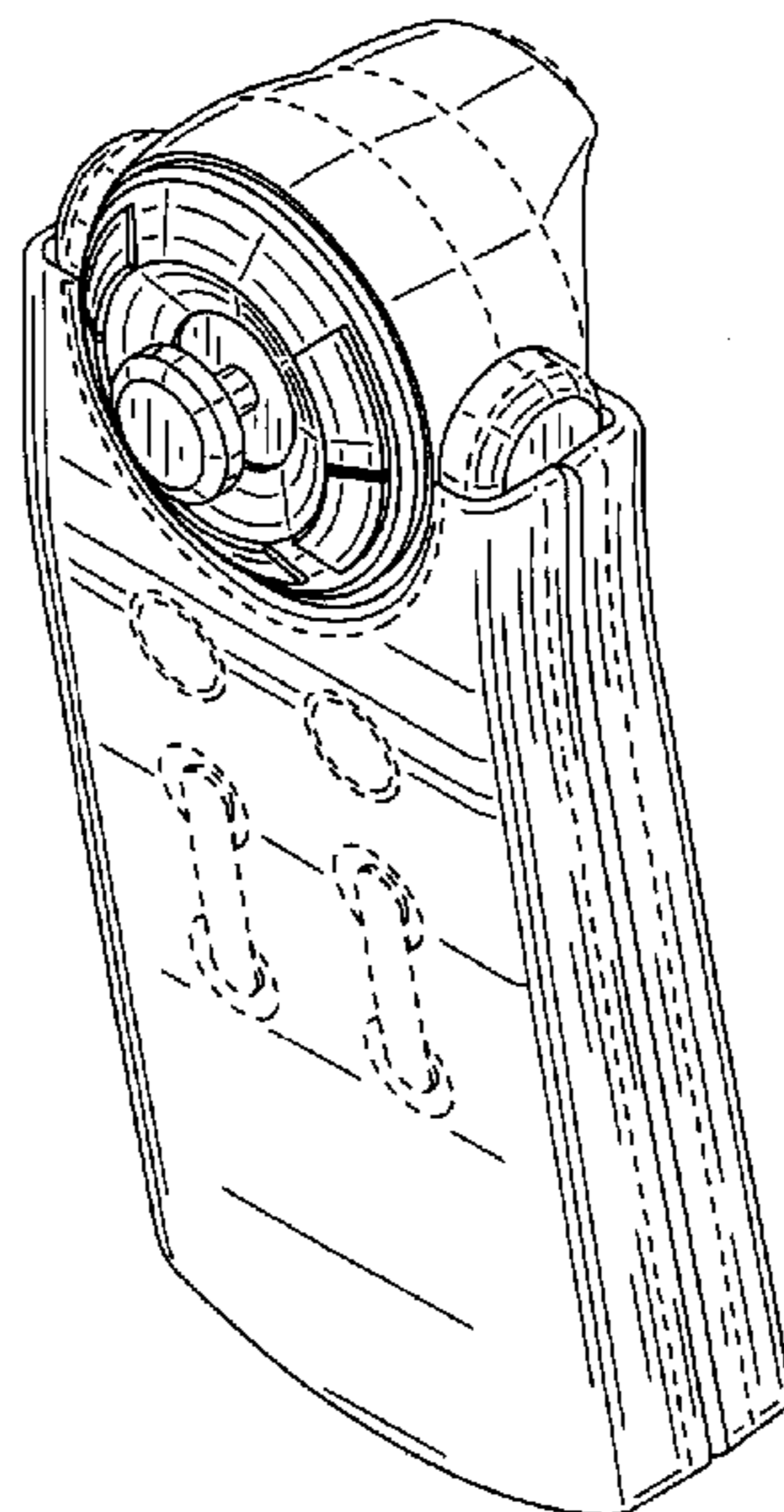


Fig. 1

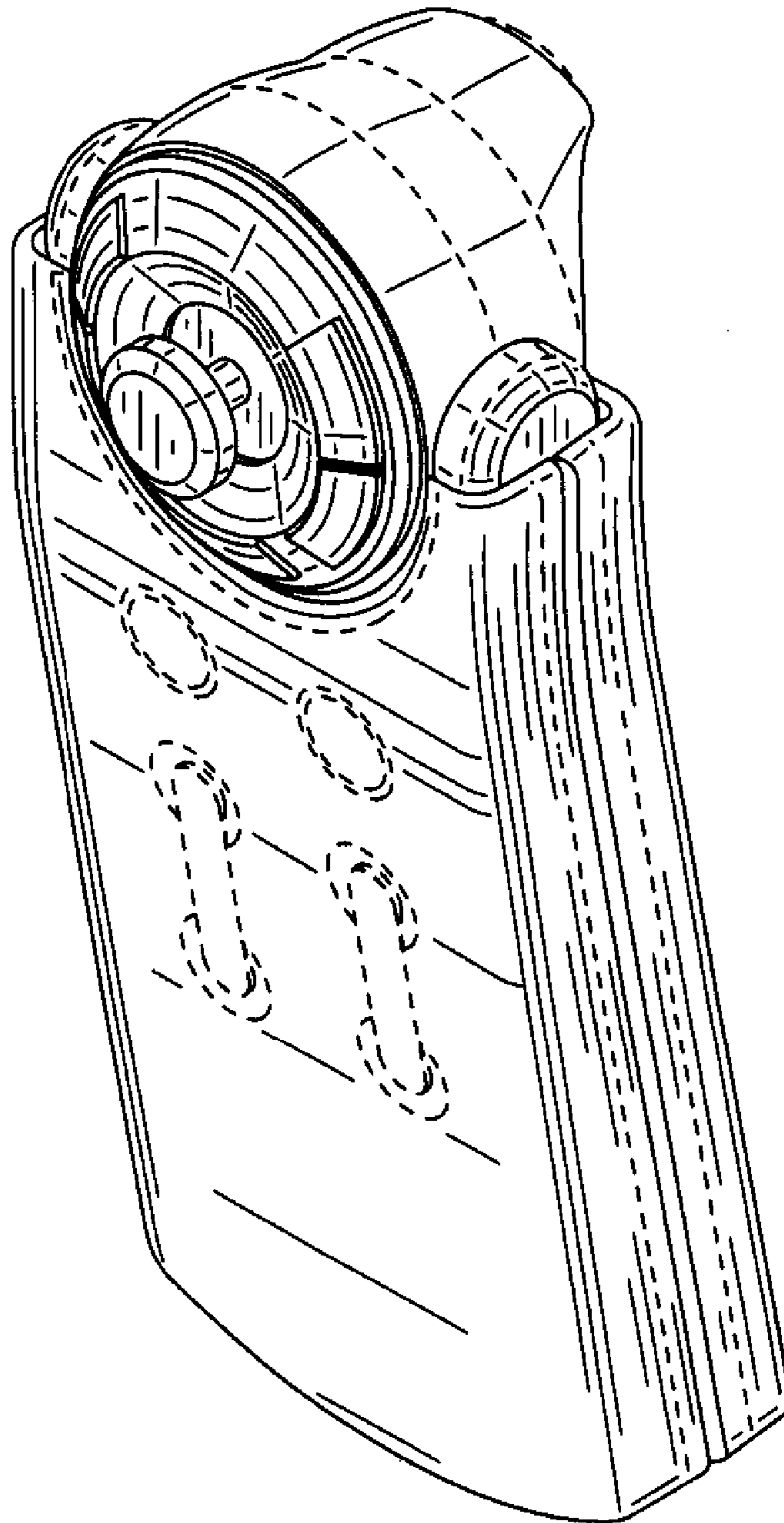


Fig.2

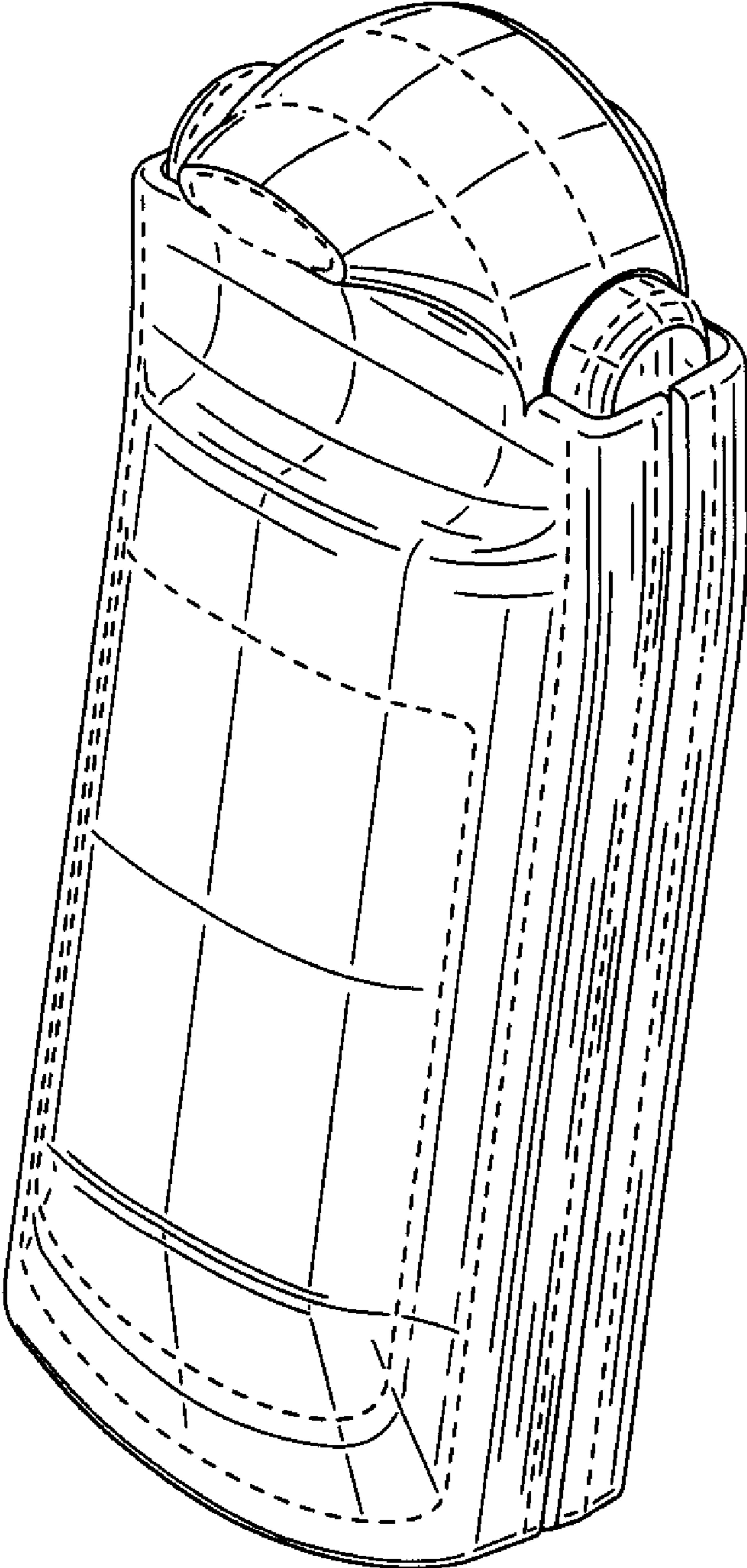


Fig.3

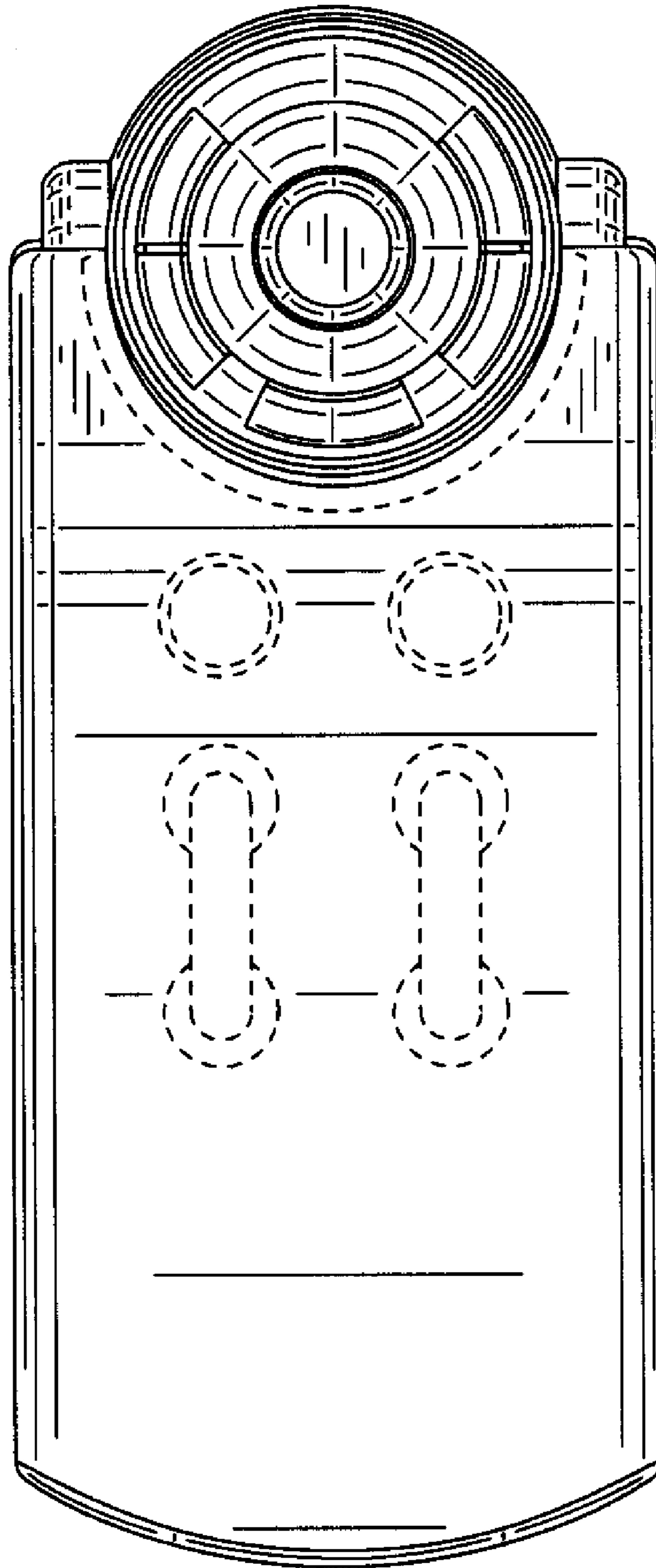


Fig.4

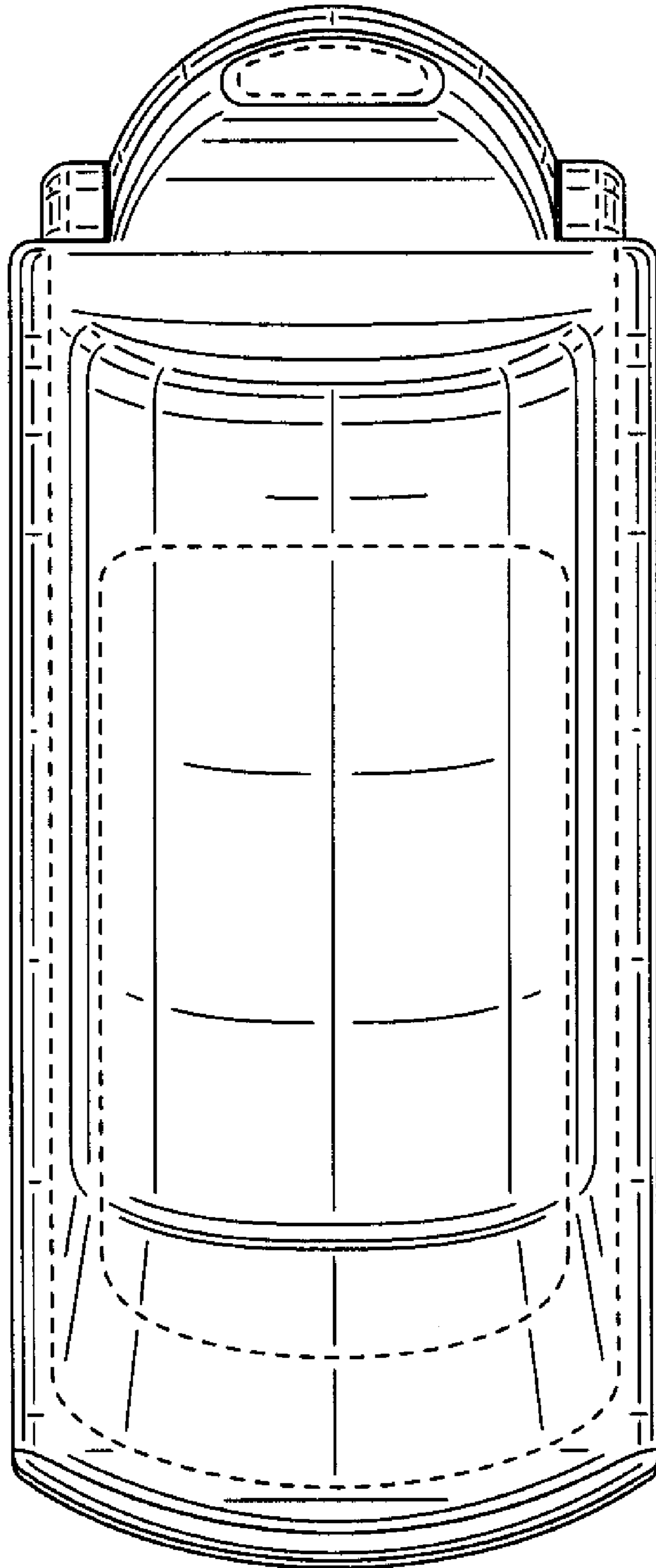


Fig.5

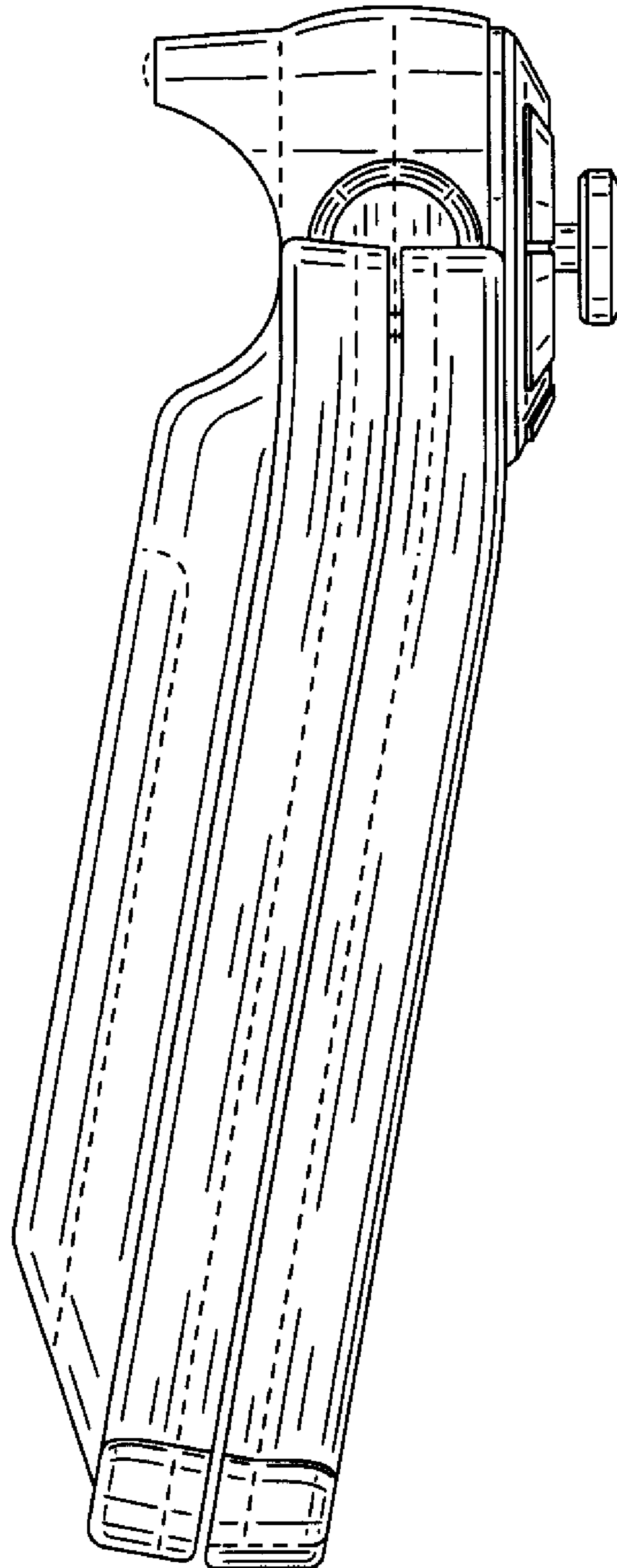
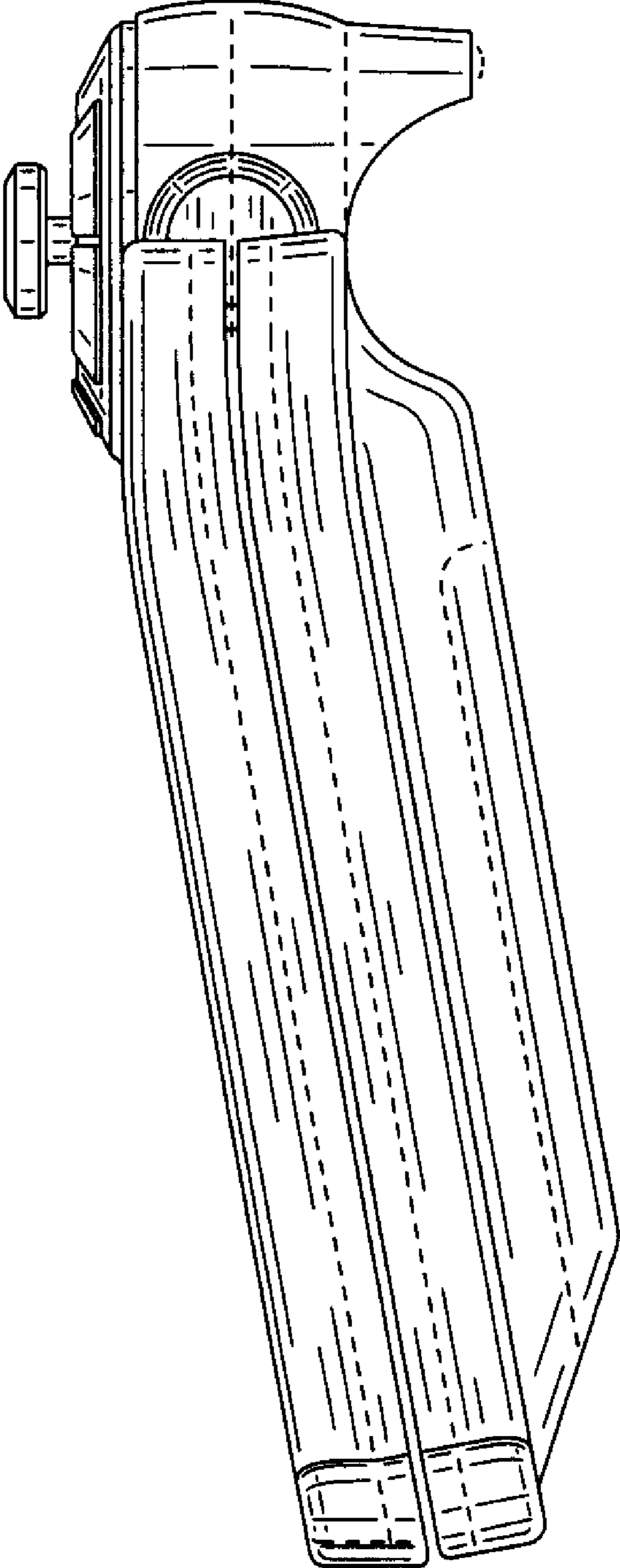
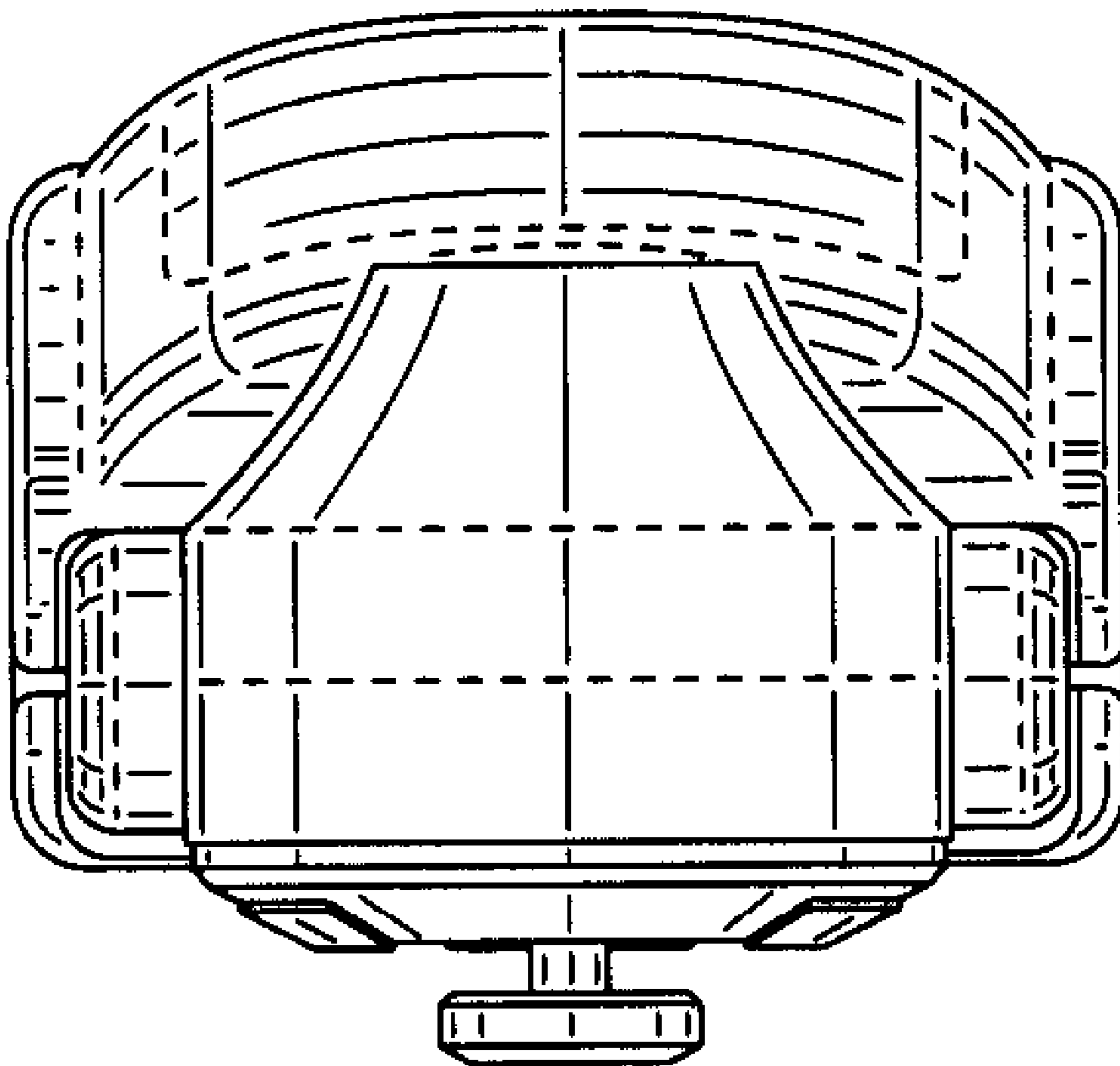


Fig.6



# Fig. 7





# Fig. 8

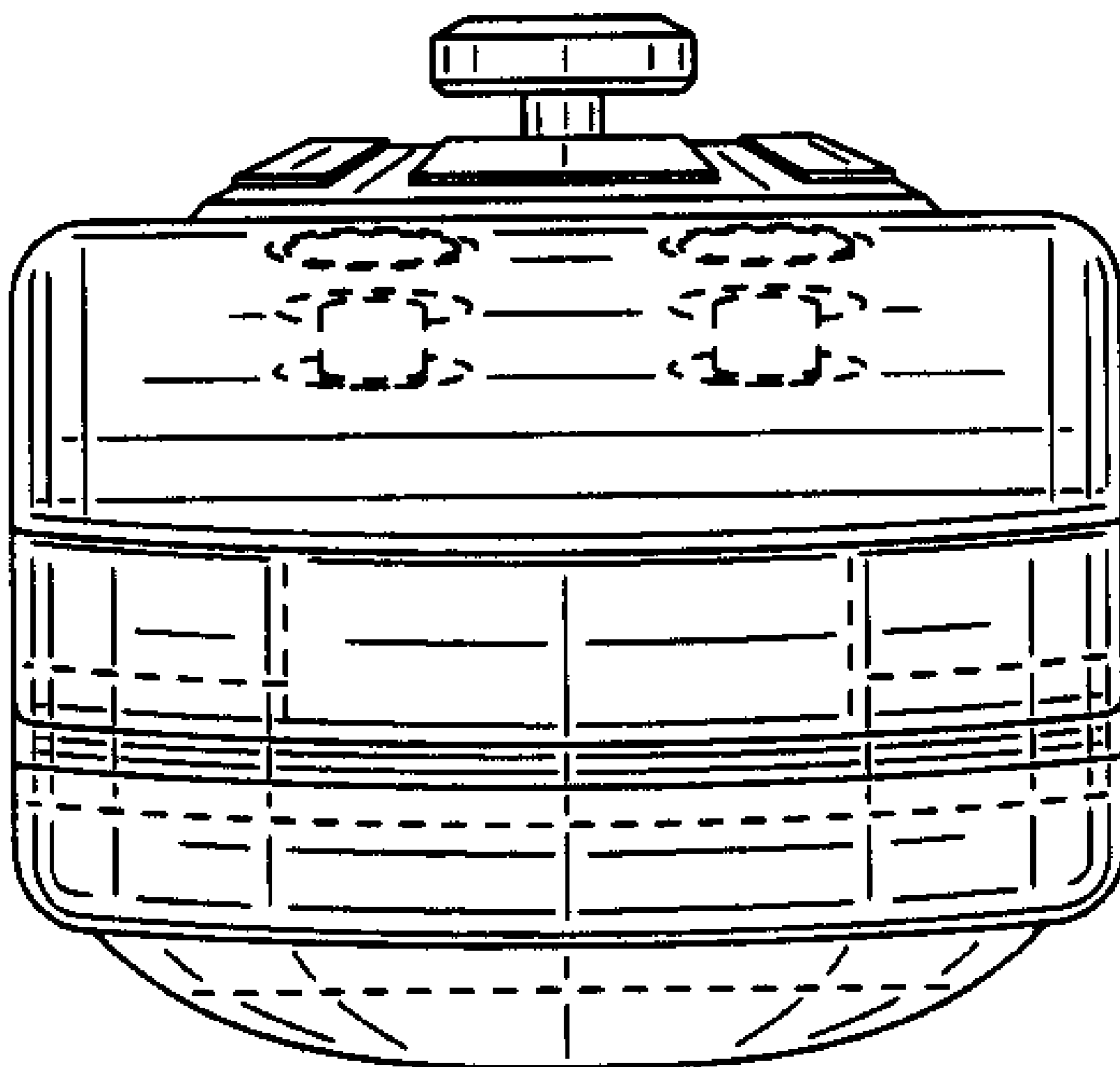


Fig.9

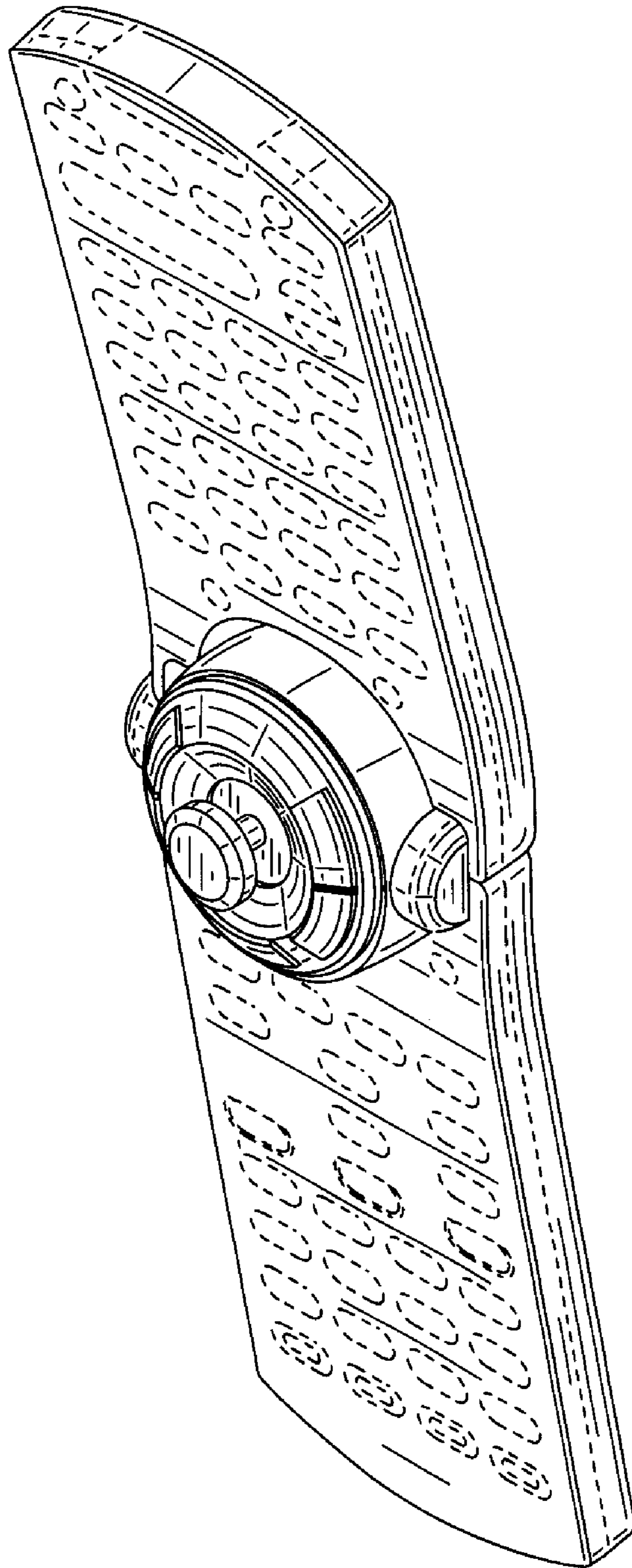


Fig.10

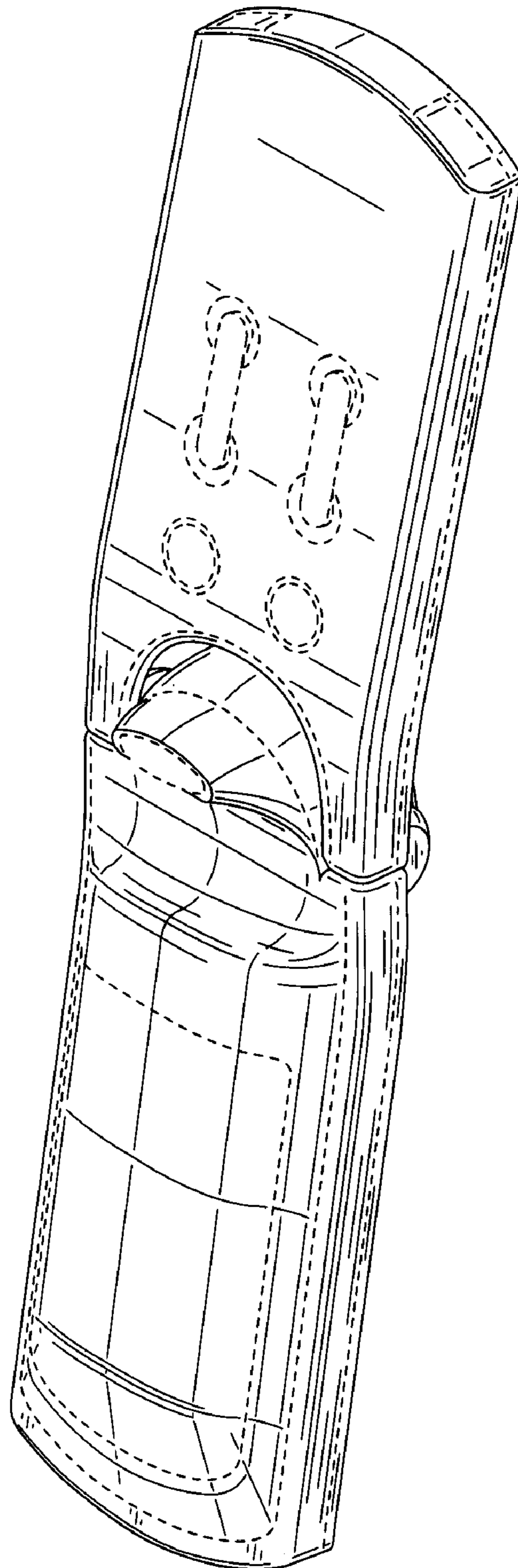


Fig. 11

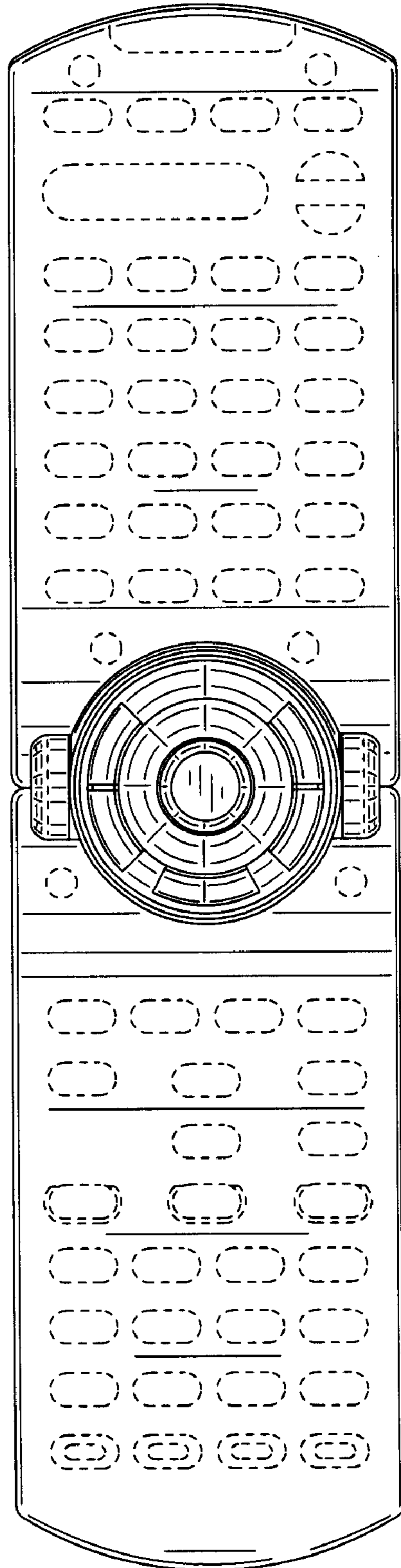


Fig. 12

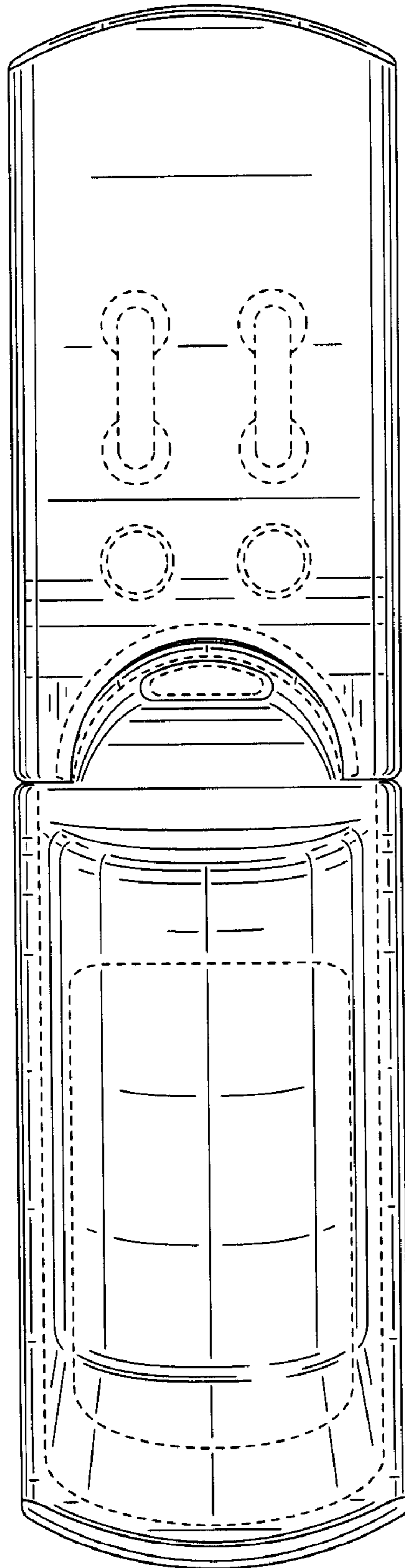


Fig. 13

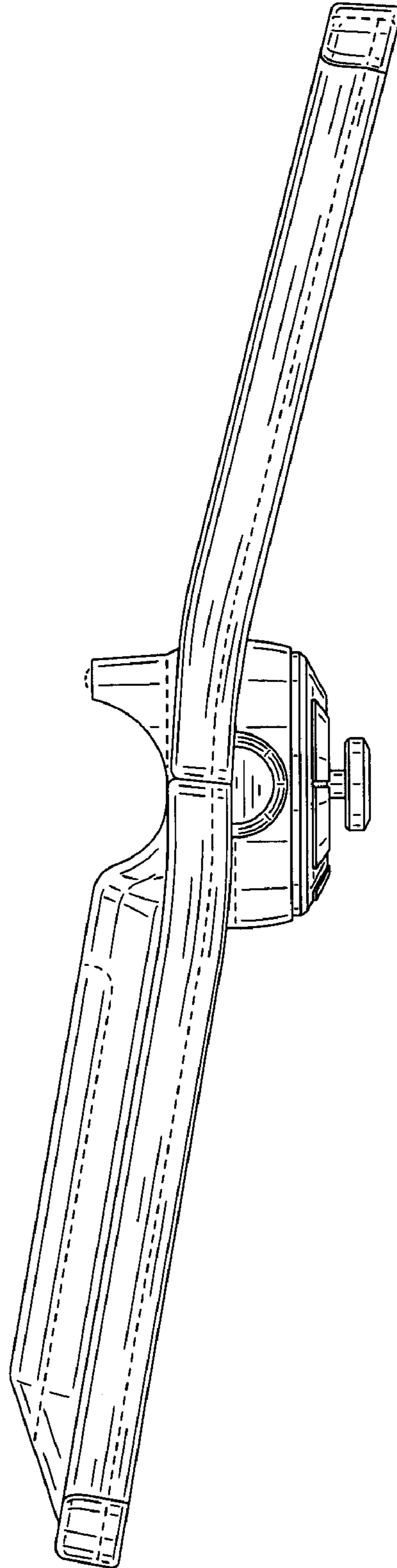
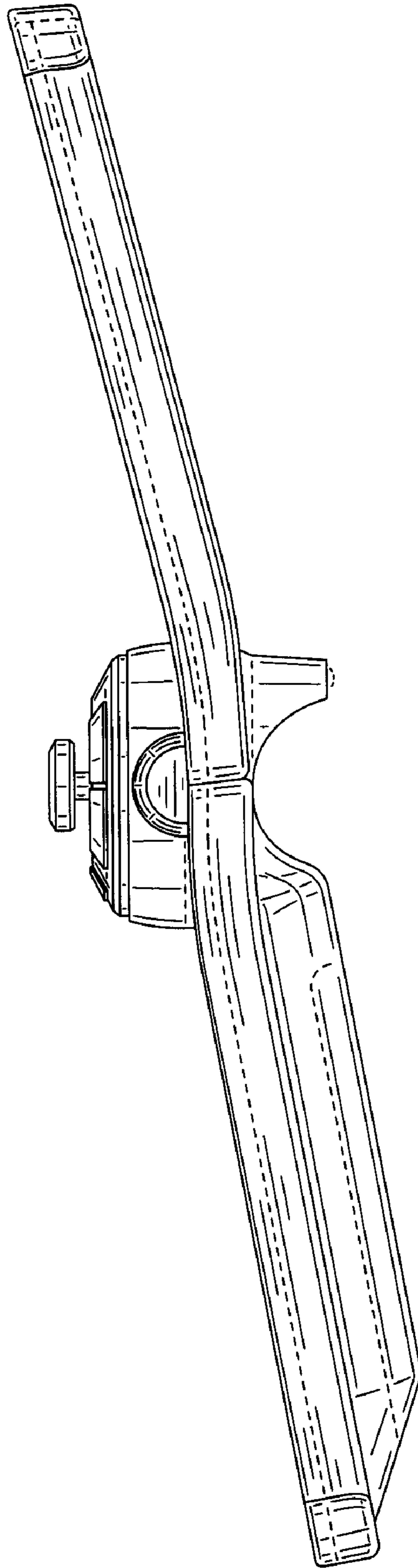
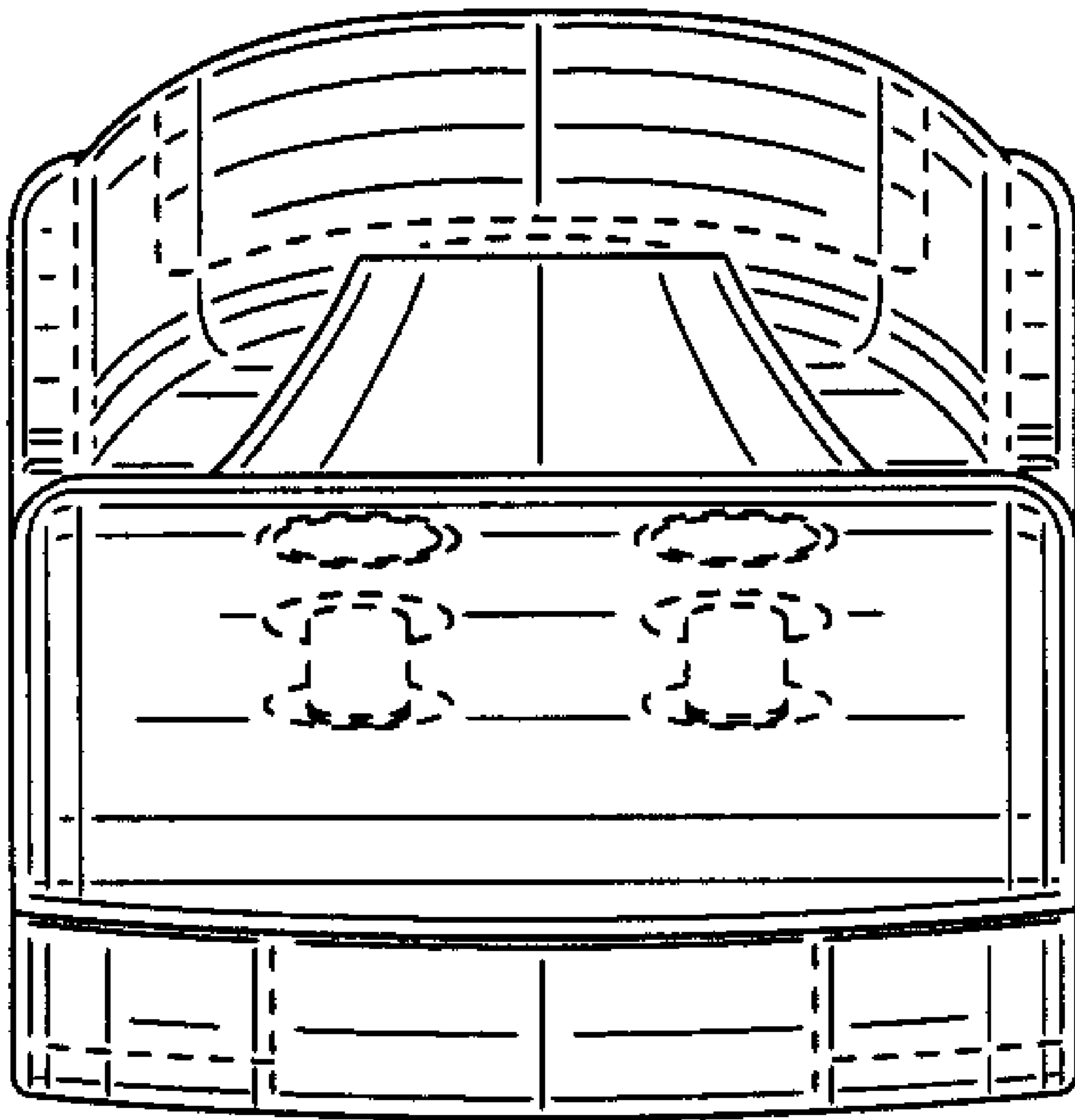


Fig.14



# Fig. 15





# Fig. 16

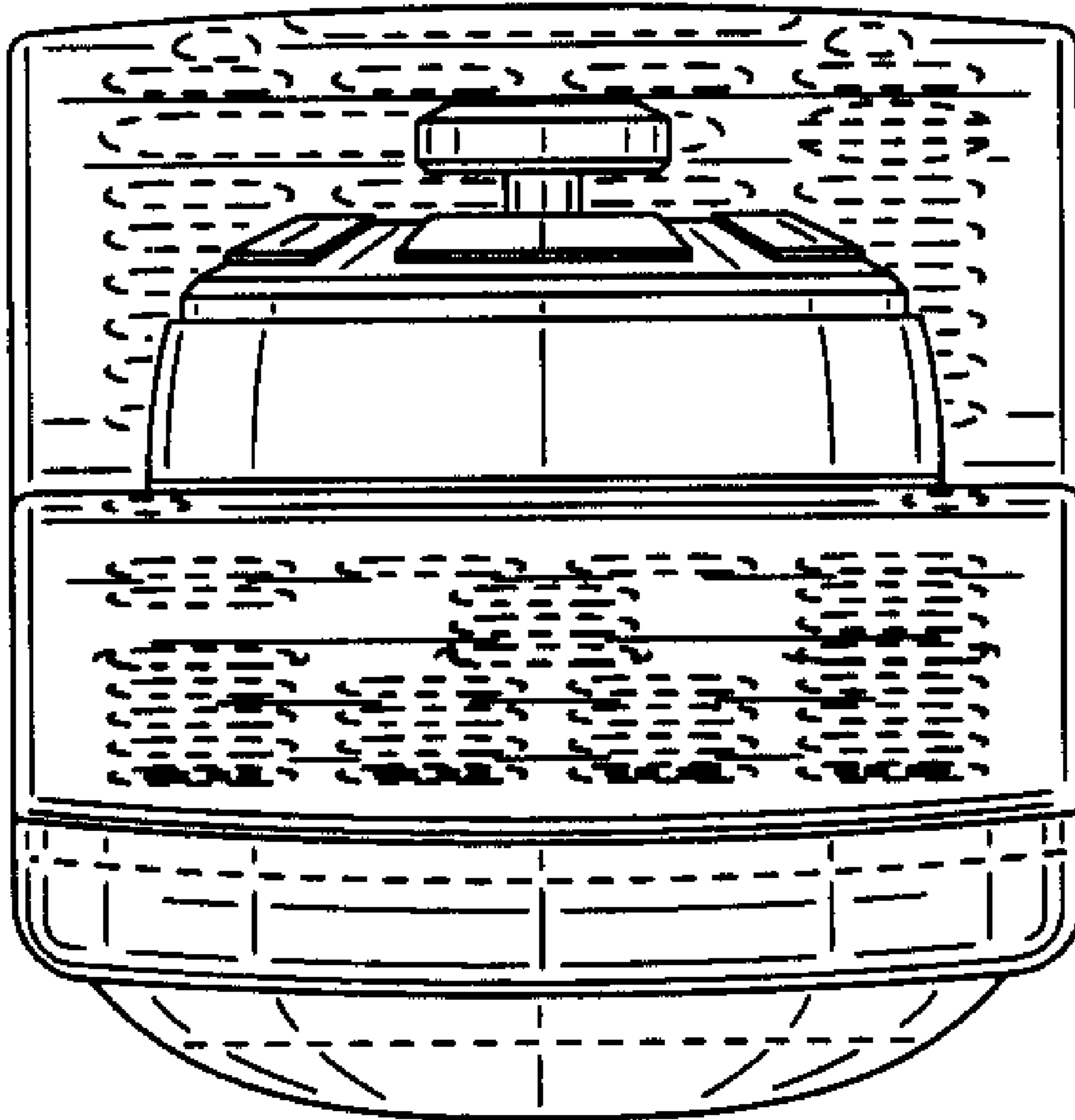
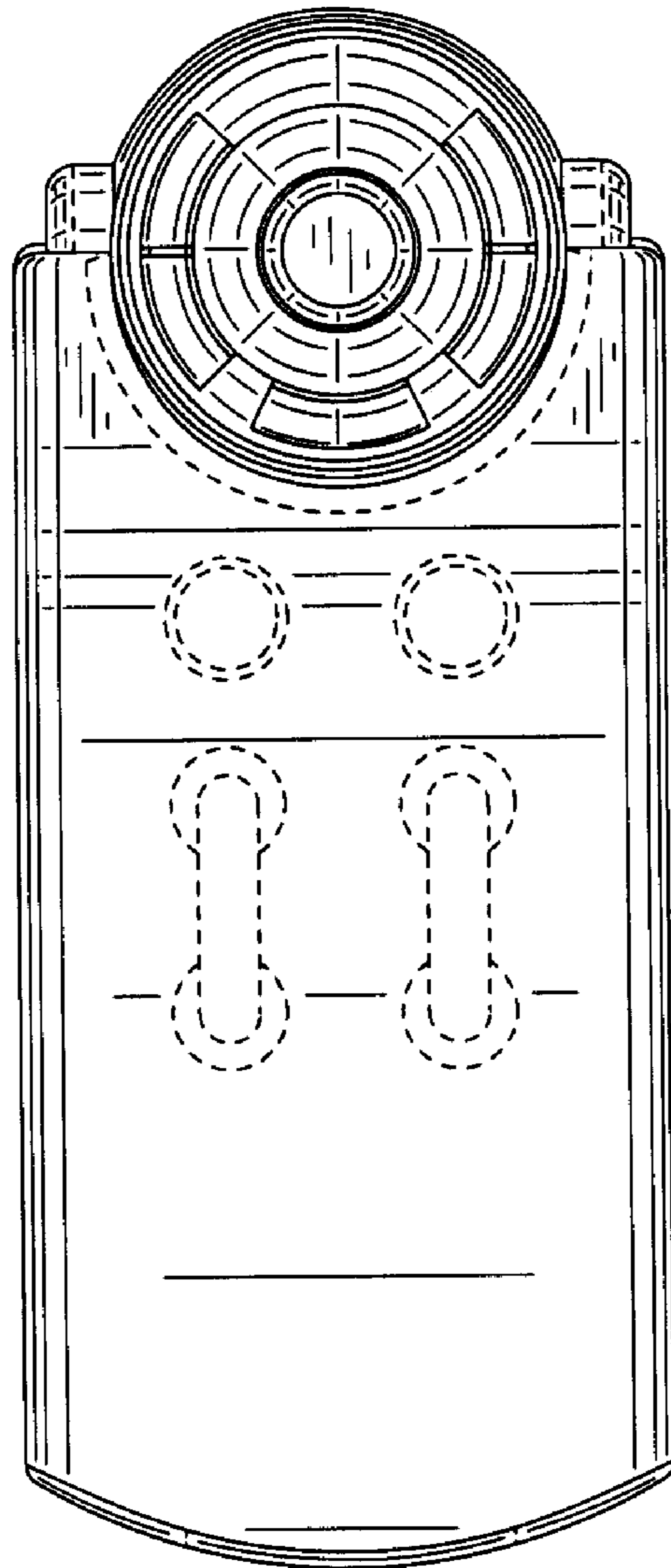
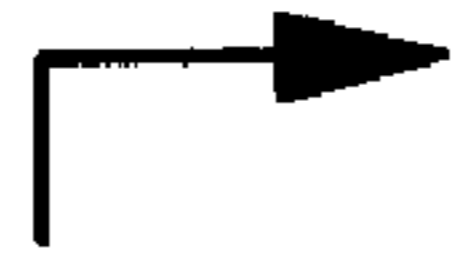


Fig.17

XVIII



XVIII

# Fig. 18

