



US00D526279S

(12) **United States Design Patent**
Kotyk

(10) **Patent No.:** **US D526,279 S**

(45) **Date of Patent:** **** Aug. 8, 2006**

(54) **LIGHT RECEIVER CONTROL**

(75) Inventor: **John A. Kotyk**, Acton, MA (US)

(73) Assignee: **Linemaster Switch Corporation**,
Woodstock, CT (US)

(**) Term: **14 Years**

(21) Appl. No.: **29/203,825**

(22) Filed: **Apr. 20, 2004**

(51) **LOC (8) Cl.** **13-03**

(52) **U.S. Cl.** **D13/158; D13/165**

(58) **Field of Classification Search** D13/158,
D13/162, 165; D10/104, 106; 250/221, 239,
250/330, 336.1, 338.1; 315/155, 159; 340/540,
340/825.71, 825.72; 378/114; 398/106, 111,
398/140

See application file for complete search history.

(56) **References Cited**

U.S. PATENT DOCUMENTS

- 4,688,037 A * 8/1987 Krieg 340/825.72
- 4,823,051 A * 4/1989 Young 315/155
- 4,873,469 A * 10/1989 Young et al. 315/155
- 4,975,937 A * 12/1990 Horton et al. 378/114

- D320,595 S * 10/1991 Fenne D13/158
- 5,933,091 A * 8/1999 McCaslin 340/825.72
- D454,337 S * 3/2002 Robinson D13/165
- 6,384,407 B1 * 5/2002 Frank 250/239

* cited by examiner

Primary Examiner—Selina Sikder

(74) *Attorney, Agent, or Firm*—Alix, Yale & Ristas, LLP

(57) **CLAIM**

The ornamental design for a light receiver control, as shown and described.

DESCRIPTION

FIG. 1 is a perspective view of the light receiver control showing my new design;
 FIG. 2 is a front view of the light receiver control of FIG. 1;
 FIG. 3 is a rear view of the light receiver control of FIG. 1;
 FIG. 4 is a left side view of the light receiver control of FIG. 1;
 FIG. 5 is a right side view of the light receiver control of FIG. 1;
 FIG. 6 is a top view of the light receiver control of FIG. 1;
 and,
 FIG. 7 is a bottom view of the light receiver control of FIG. 1.

1 Claim, 7 Drawing Sheets

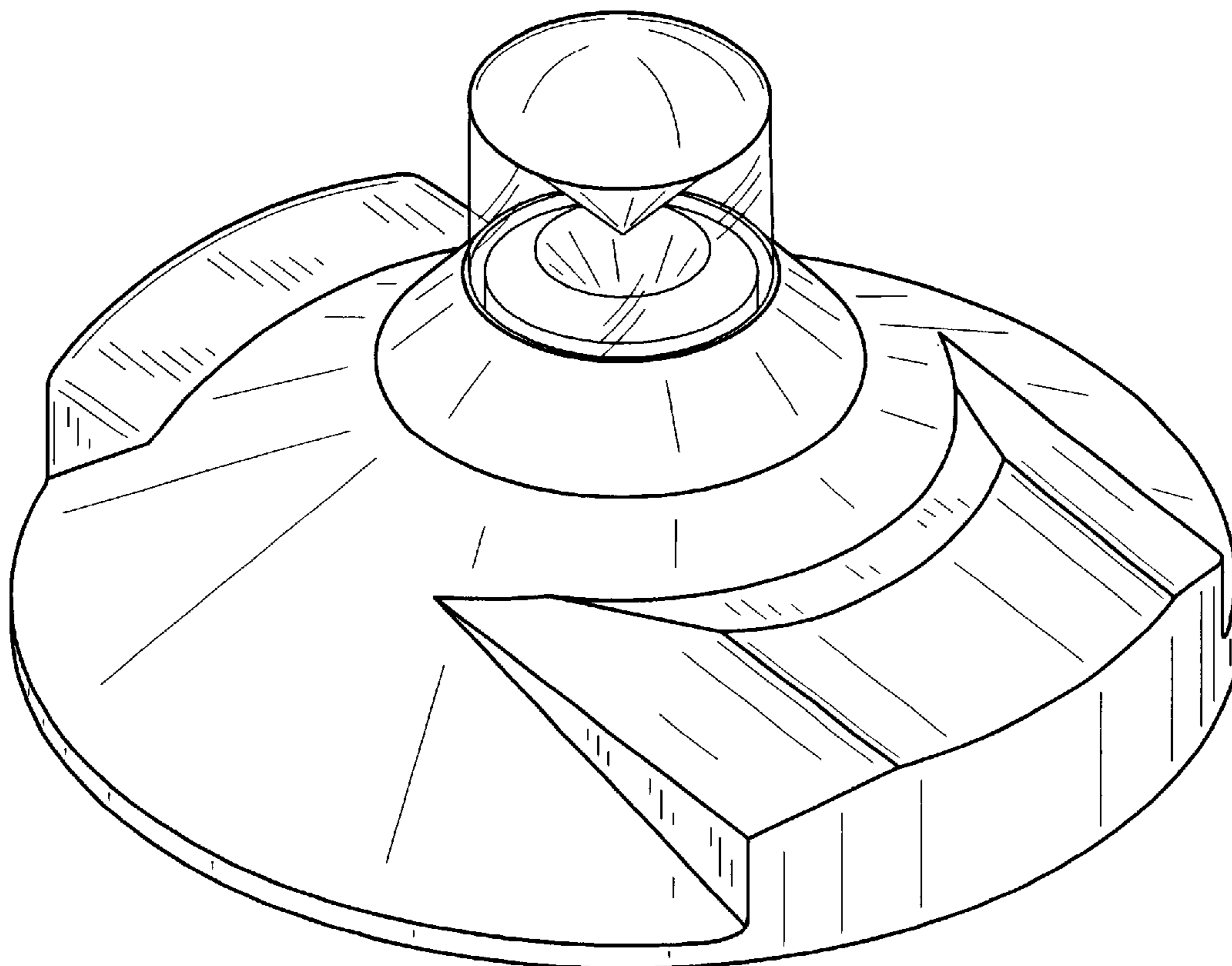


FIG. 1

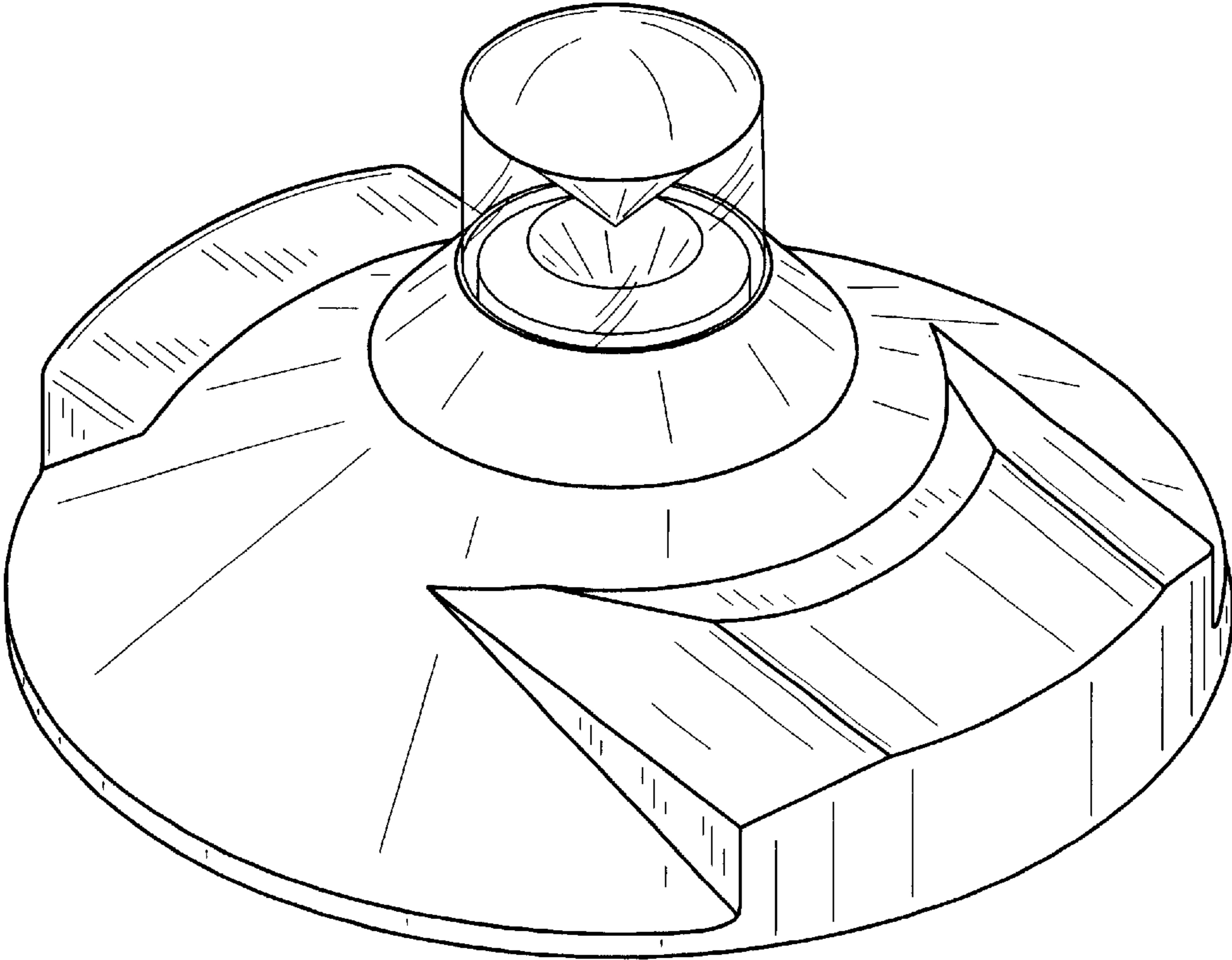


FIG. 2

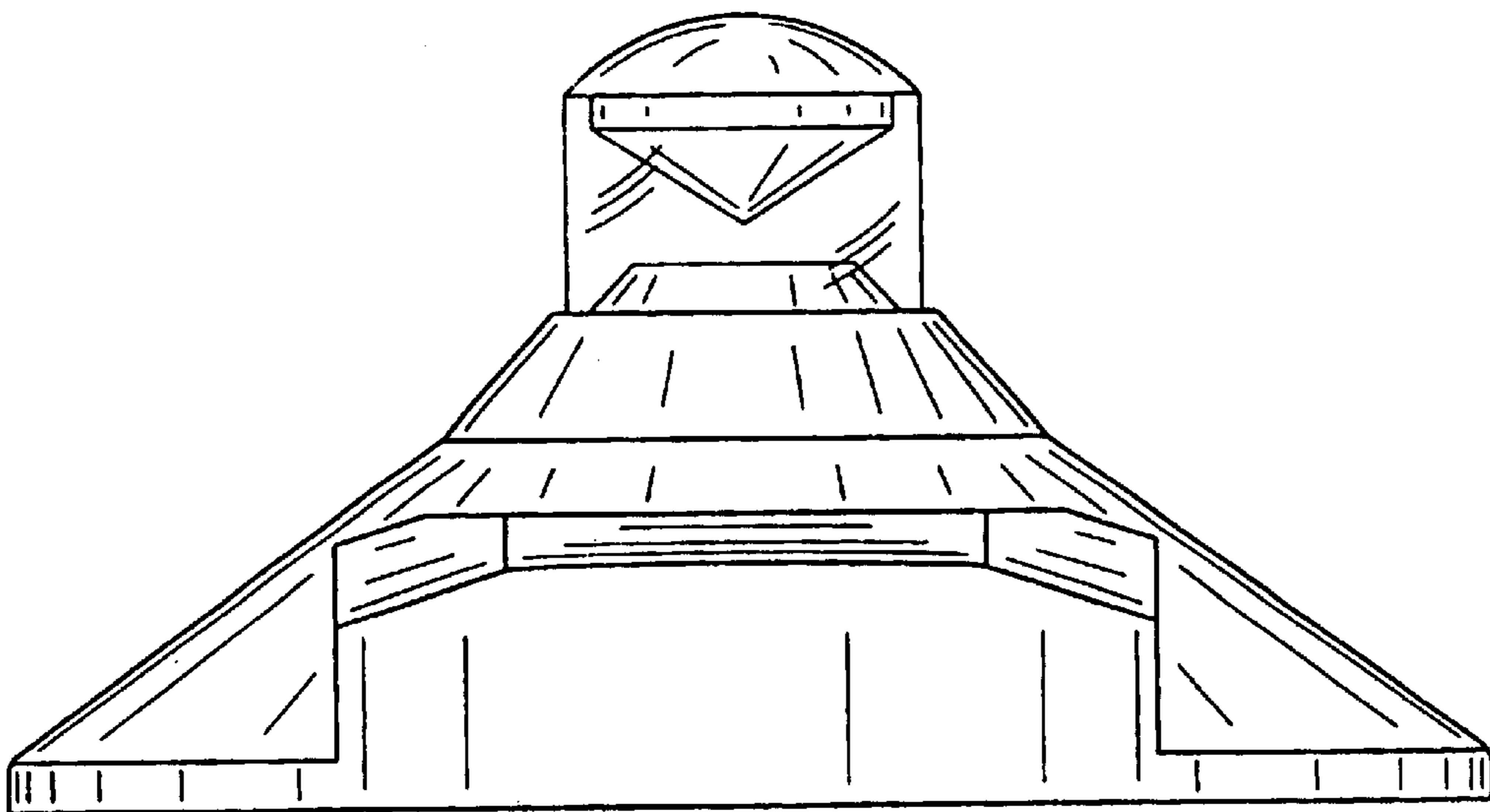


FIG. 3

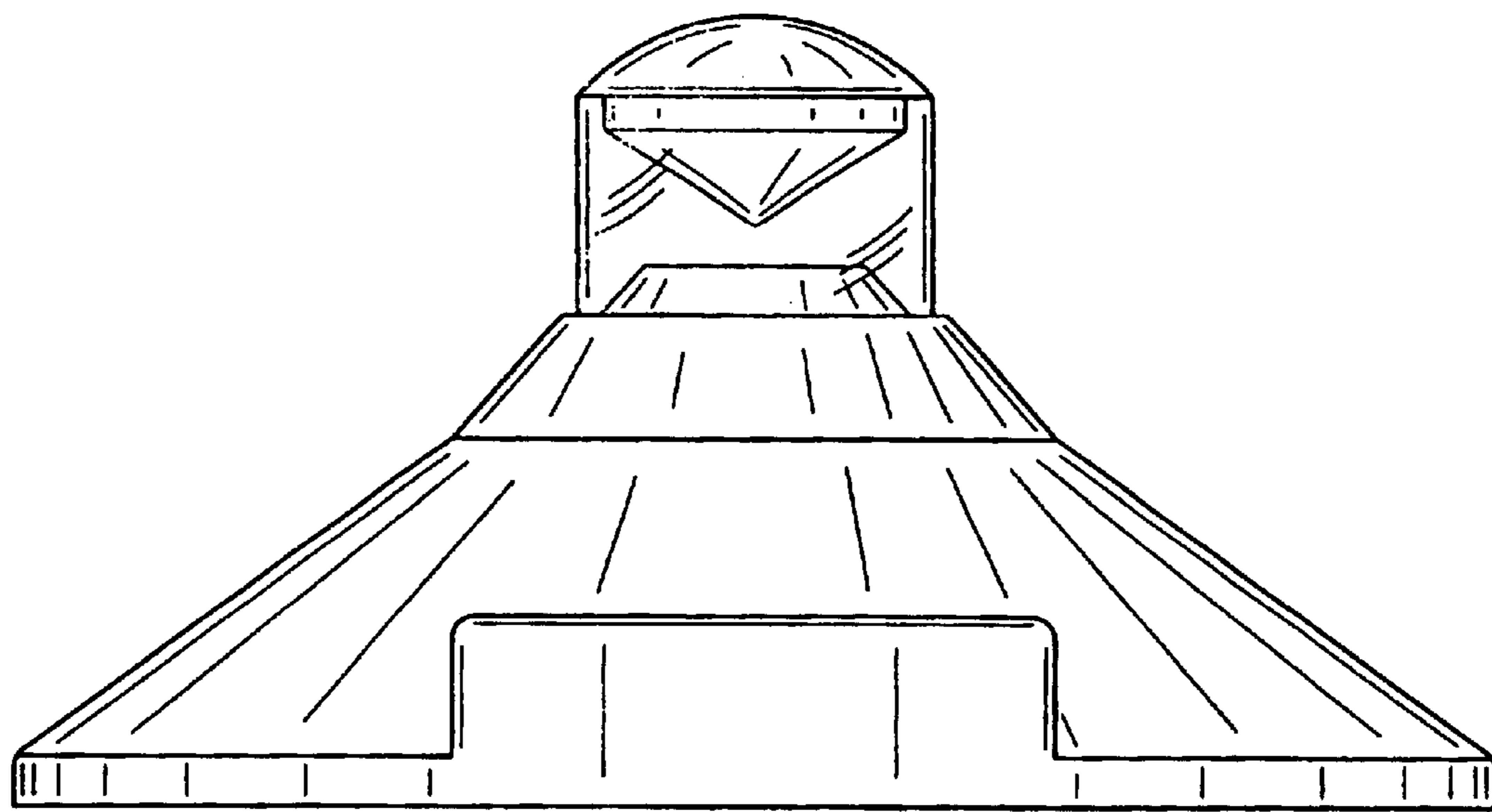


FIG. 4

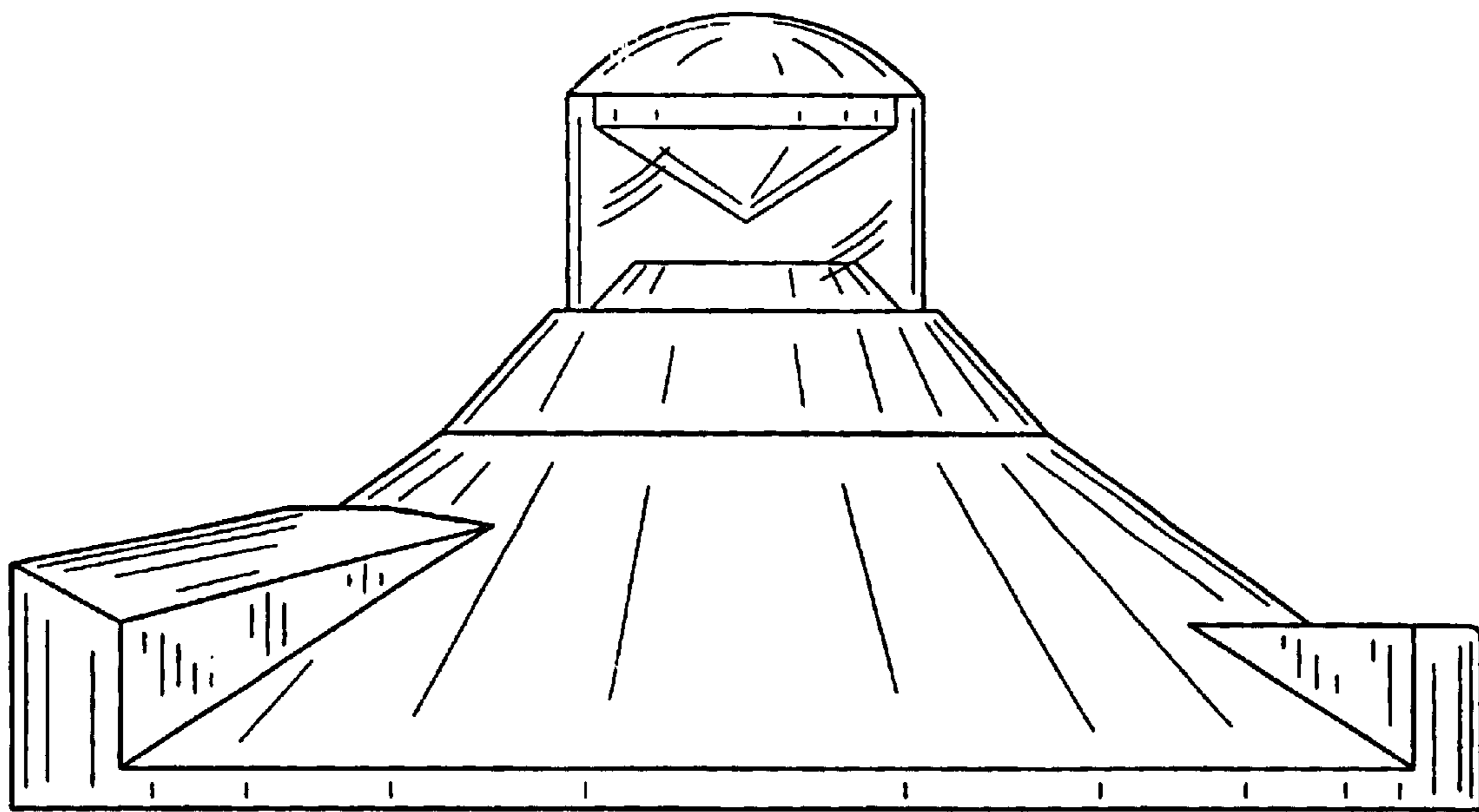


FIG. 5

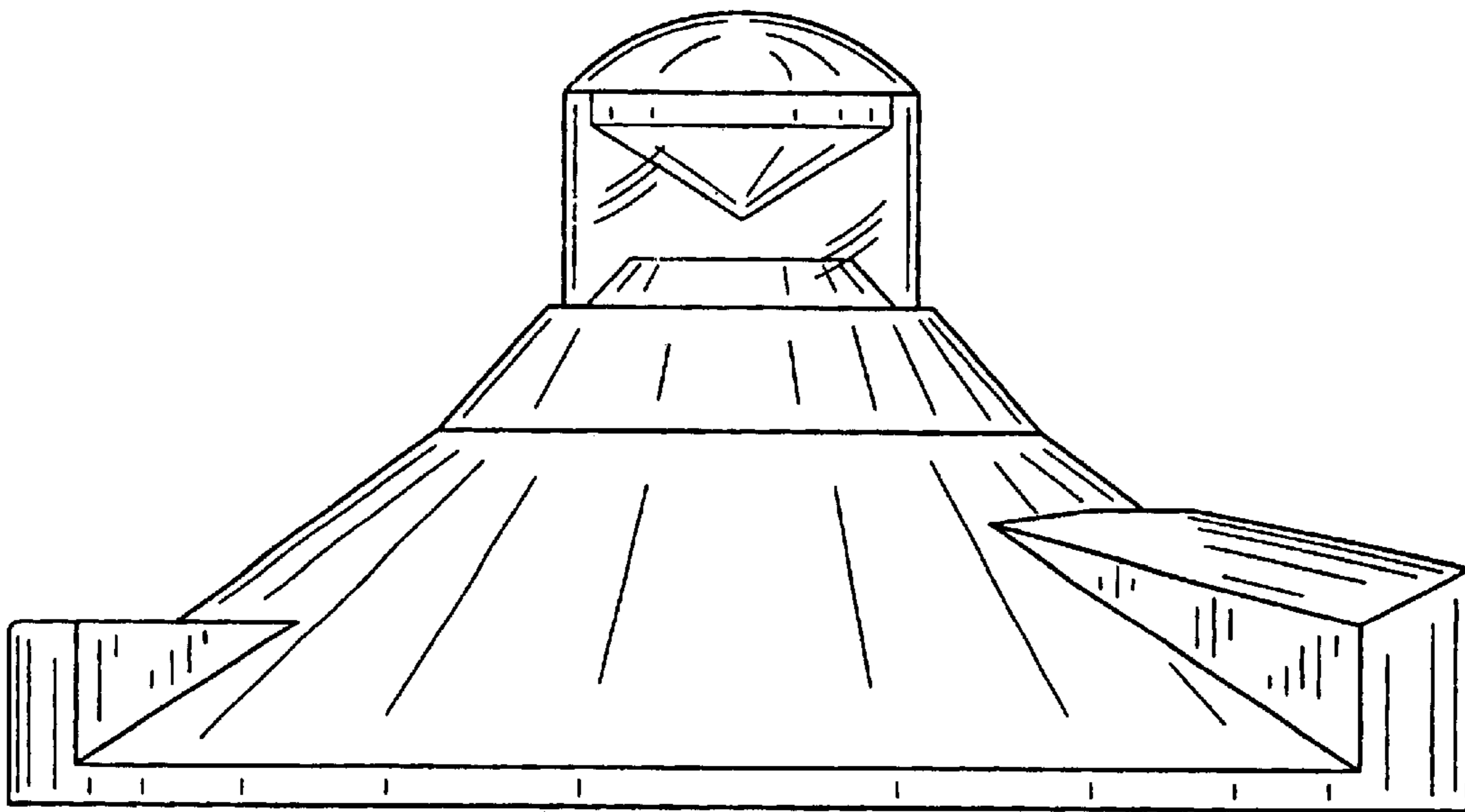


FIG. 6

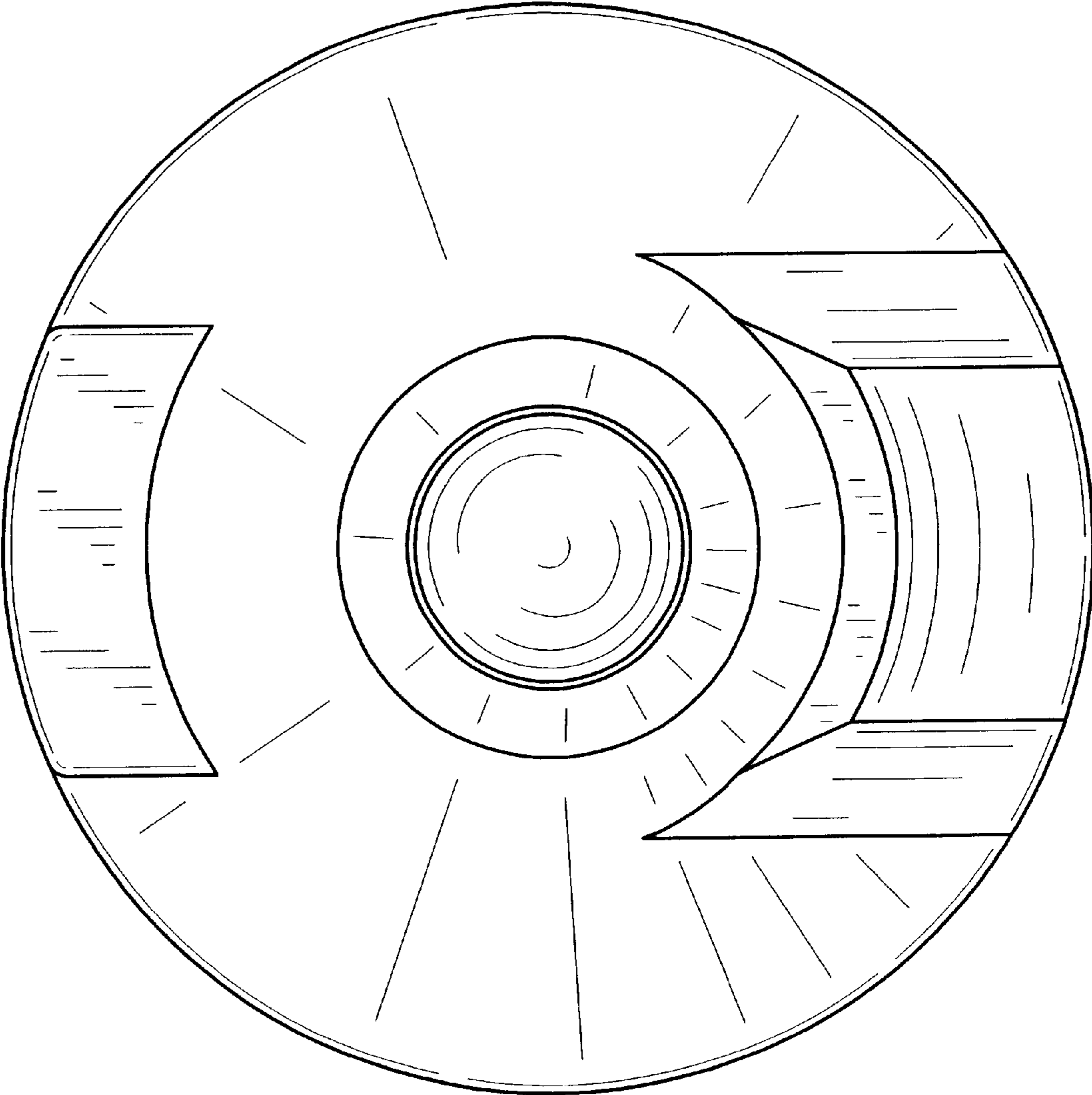


FIG. 7

