



US00D526278S

(12) **United States Design Patent** (10) **Patent No.:** **US D526,278 S**
Heary, Sr. (45) **Date of Patent:** **** Aug. 8, 2006**

(54) **CABLE CLAMP**

(75) **Inventor:** **Kenneth P. Heary, Sr.**, Springville, NY (US)

(73) **Assignee:** **Heary Bros. Lightning Protection Company, Inc.**, Springville, NY (US)

(**) **Term:** **14 Years**

(21) **Appl. No.:** **29/185,767**

(22) **Filed:** **Jul. 2, 2003**

(51) **LOC (8) Cl.** **13-03**

(52) **U.S. Cl.** **D13/154**

(58) **Field of Classification Search** D13/149, D13/154; D26/1; D8/396, 383, 394, 395; 248/69, 65, 68.1; 439/781, 782
See application file for complete search history.

(56) **References Cited**

U.S. PATENT DOCUMENTS

- 2,453,432 A * 11/1948 Hackathorn 403/209
- 2,712,167 A * 7/1955 Blanchard 24/569
- D209,701 S * 12/1967 Lindsey D8/396
- D210,663 S * 4/1968 Piasecki et al. D13/146
- D243,404 S * 2/1977 Mooney et al. D13/149
- D246,366 S * 11/1977 McGrath D13/149
- 4,526,428 A * 7/1985 Sachs 439/92
- 4,646,395 A * 3/1987 Mayszak 24/135 R

- 4,707,051 A * 11/1987 Hall 439/781
- 5,941,483 A * 8/1999 Baginski 248/68.1
- D424,924 S * 5/2000 Ackerman D8/396
- 2003/0002840 A1 * 1/2003 Auclair 385/136

* cited by examiner

Primary Examiner—Holly Baynham
Assistant Examiner—Cynthia M. Chin

(74) *Attorney, Agent, or Firm*—Simpson & Simpson, PLLC

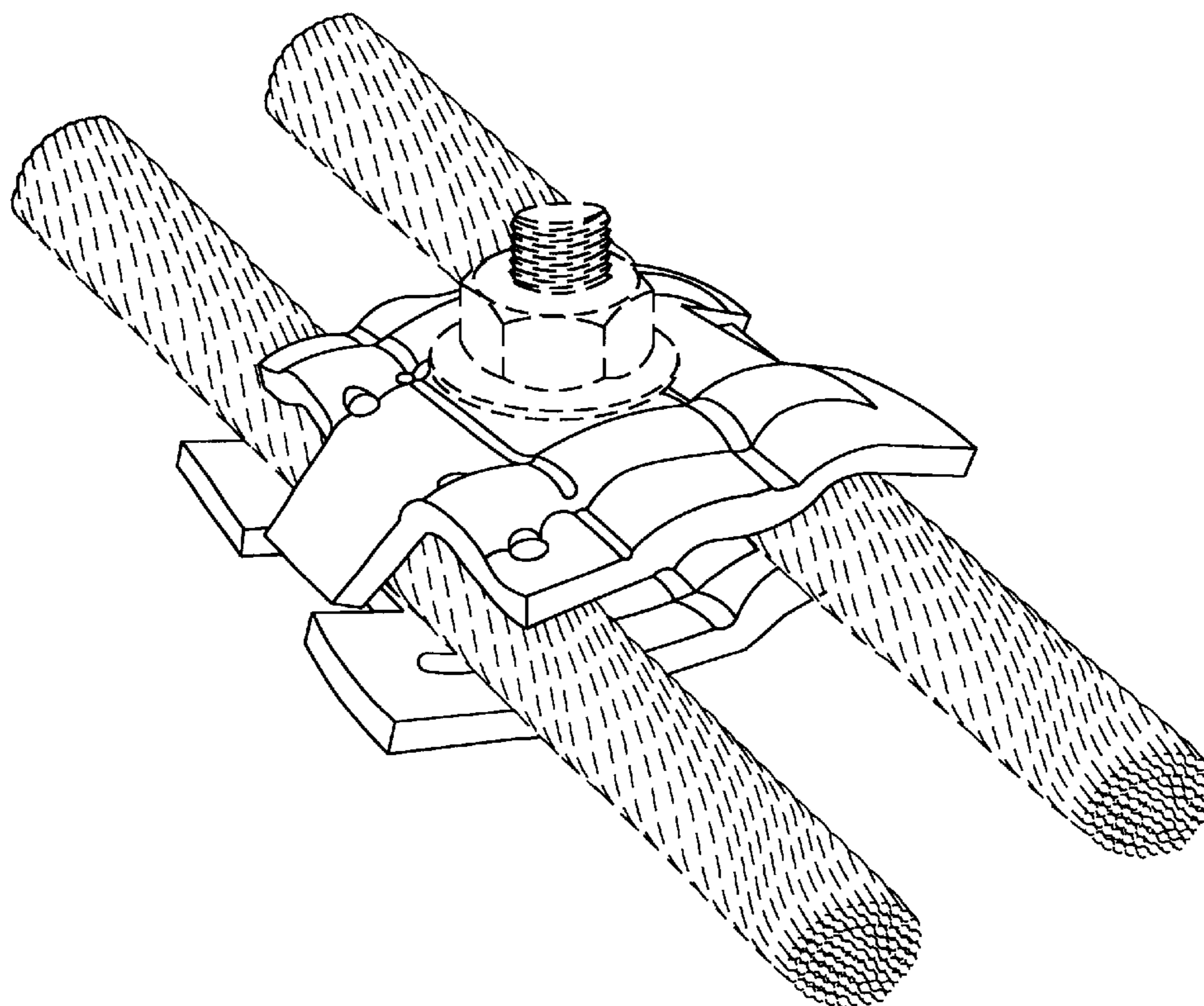
(57) **CLAIM**

The ornamental design for a cable clamp, as shown and described.

DESCRIPTION

FIG. 1 is a perspective view of a cable clamp showing my new design; FIG. 2 is a left side elevational view of the present invention; FIG. 3 is a right side elevational view of the present invention; FIG. 4 is a front elevational view of the present invention; FIG. 5 is a rear elevational view of the present invention; FIG. 6 is a top plan view of the present invention; and, FIG. 7 is a bottom plan view of the present invention. The structures shown in broken lines form no part of the claimed invention. The broken lines are for illustrative purposes only and form no part of the claimed design.

1 Claim, 4 Drawing Sheets



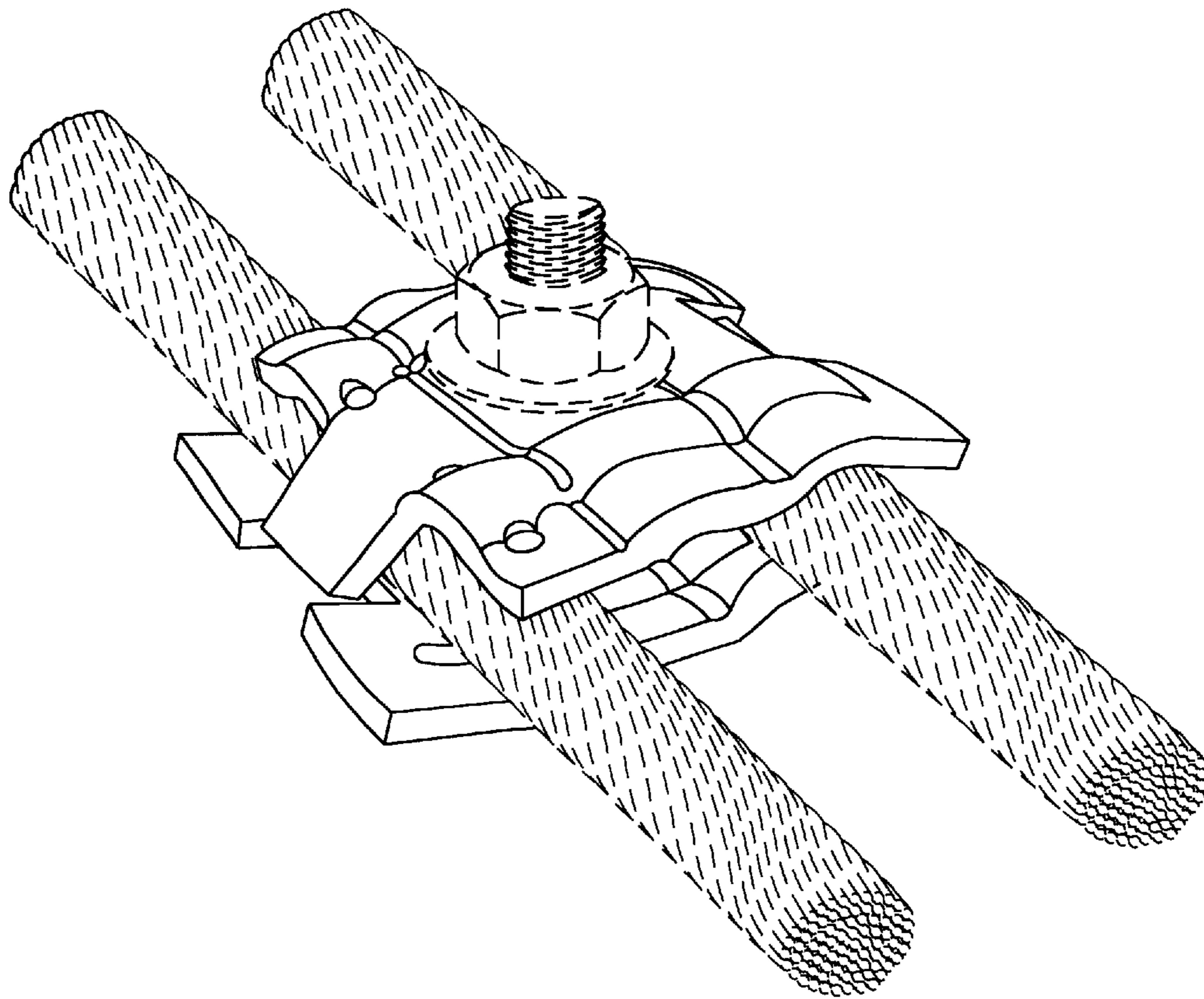


Fig. 1

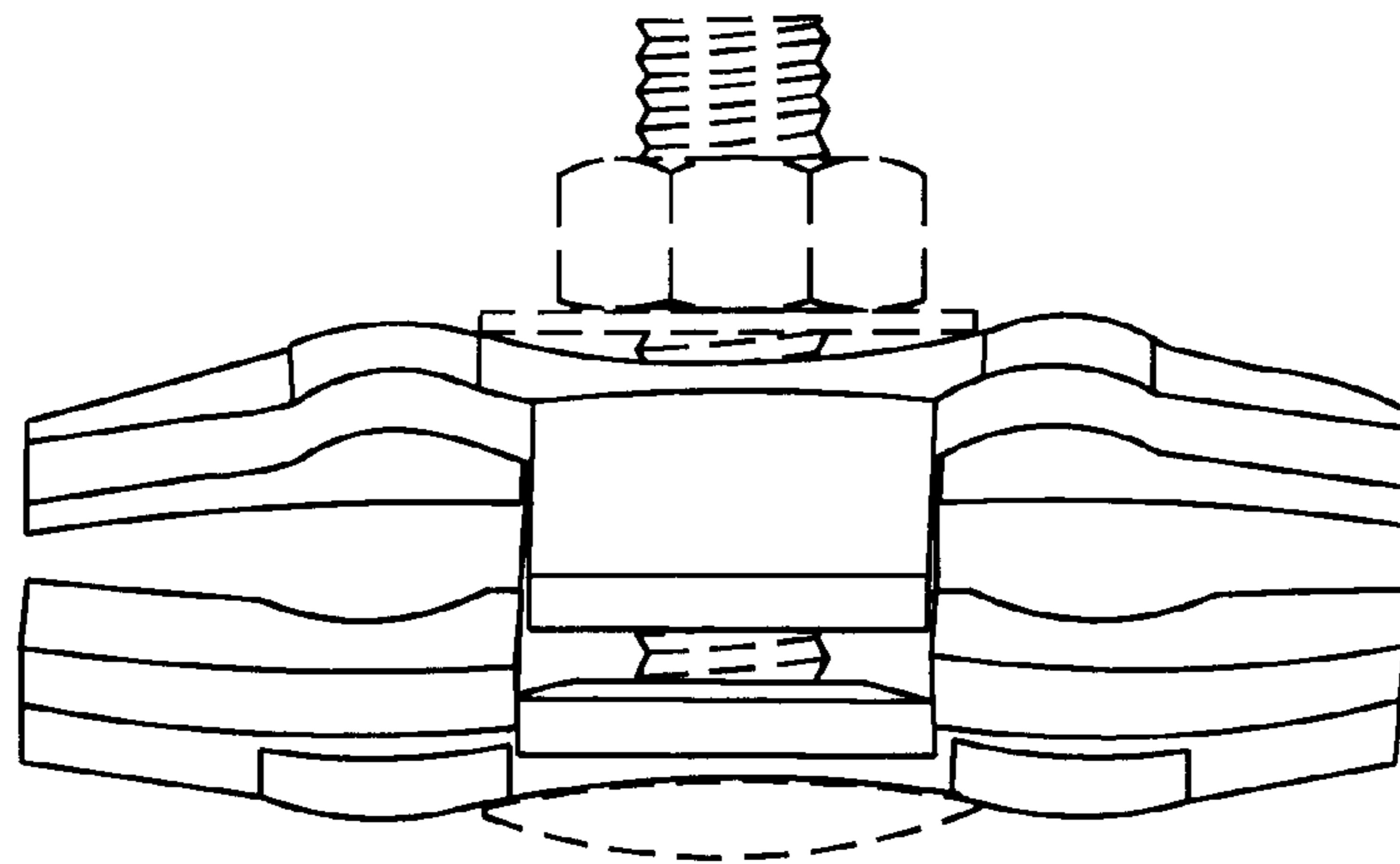


Fig. 2

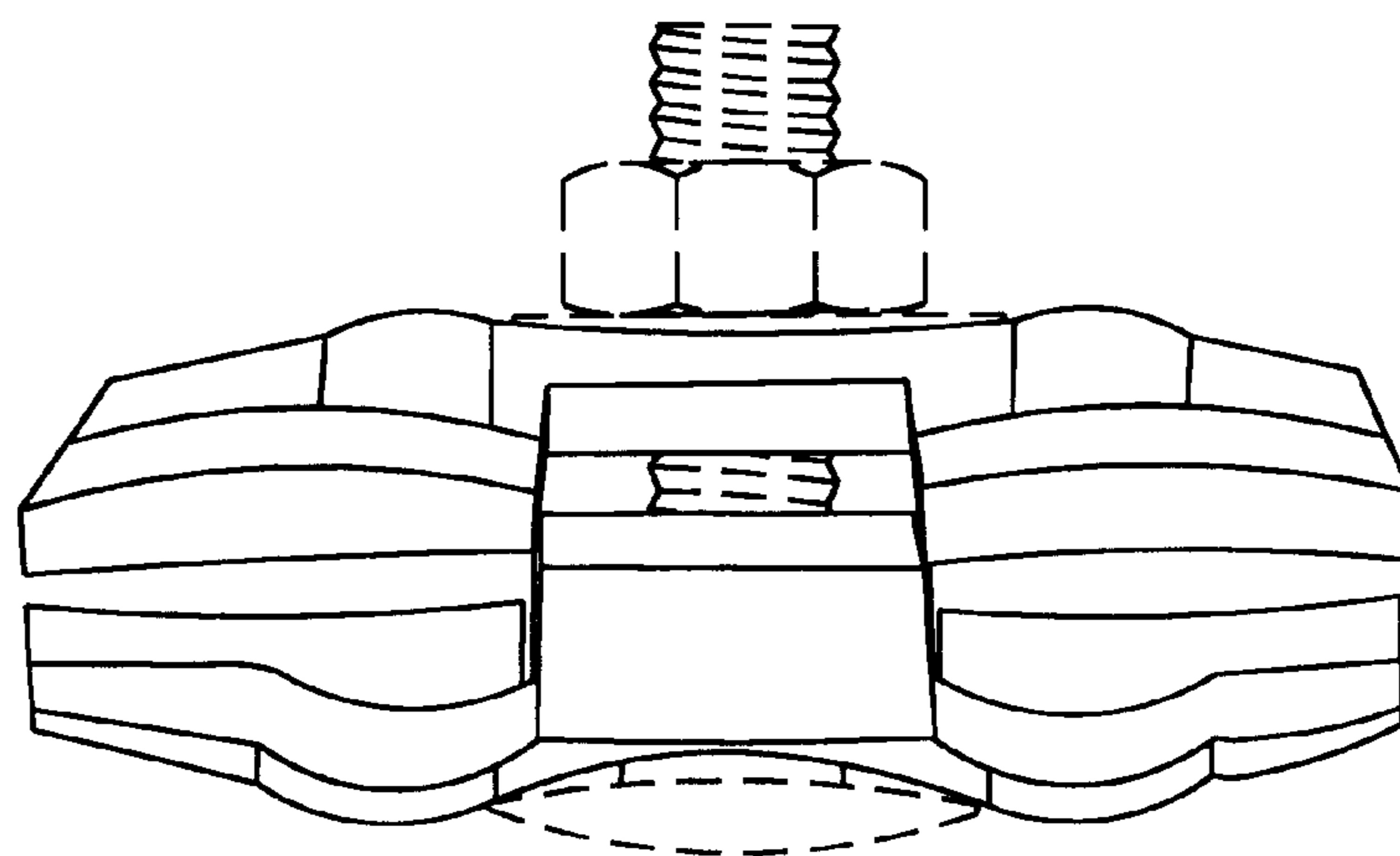


Fig. 3

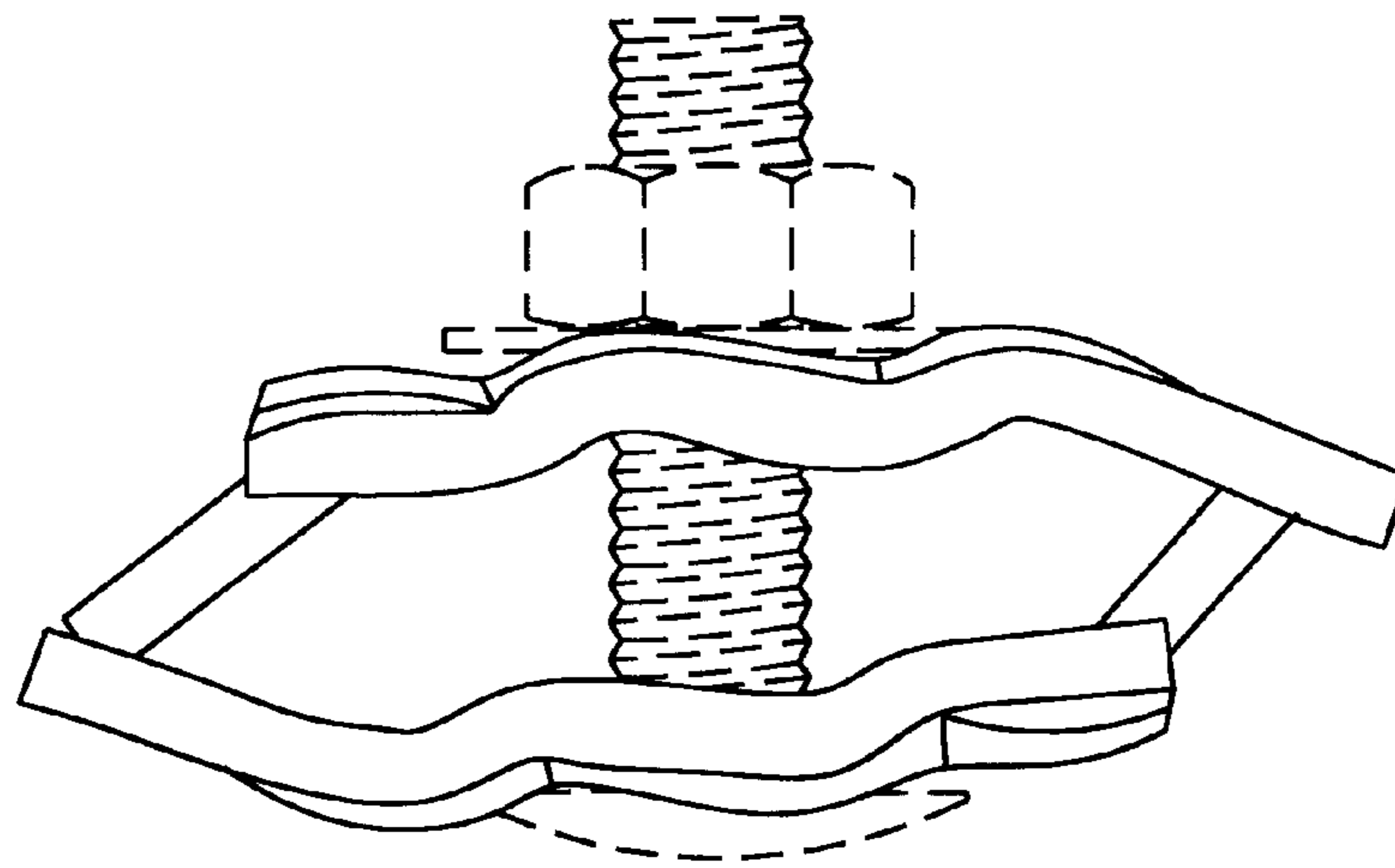


Fig. 4

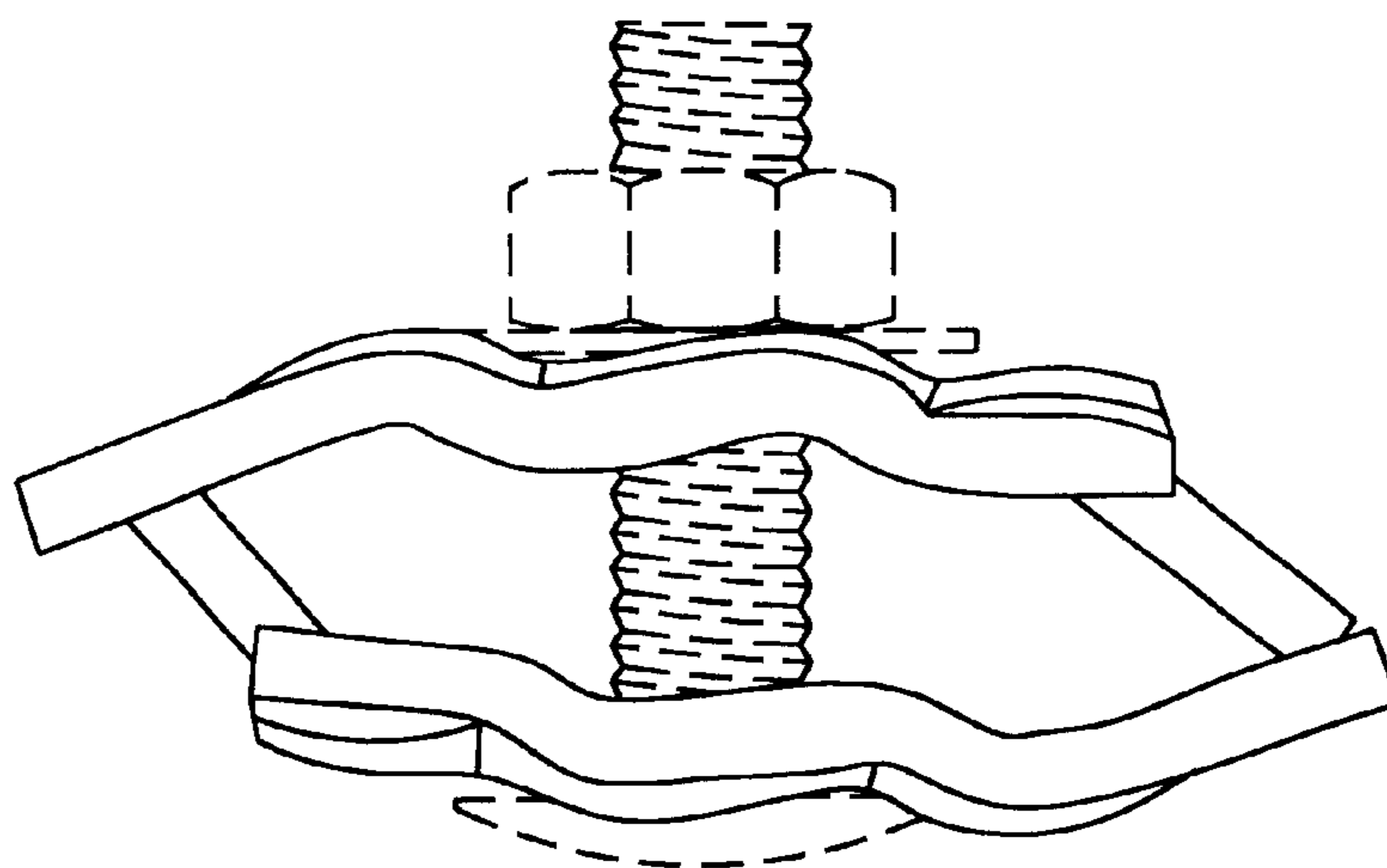


Fig. 5

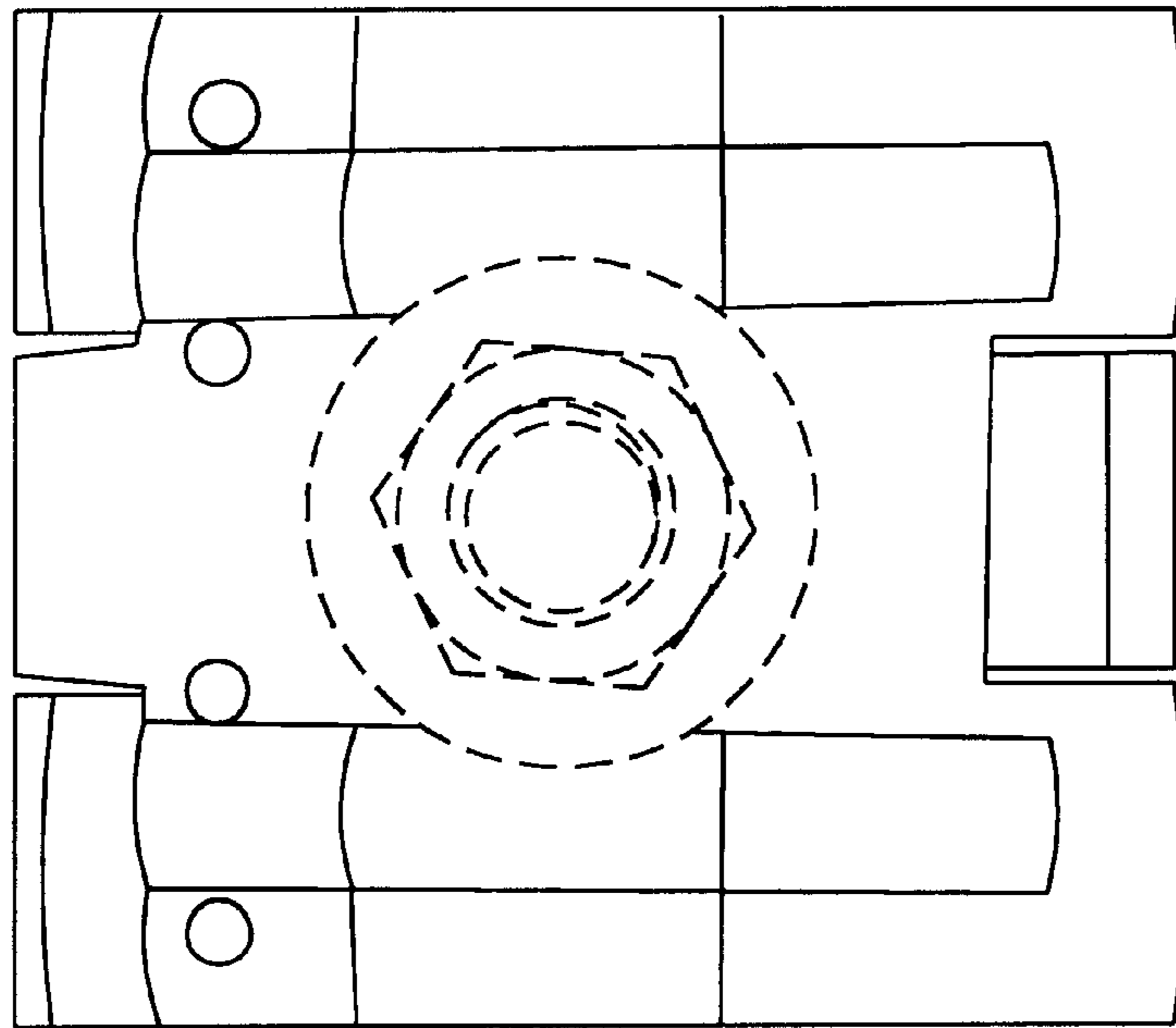


Fig. 6

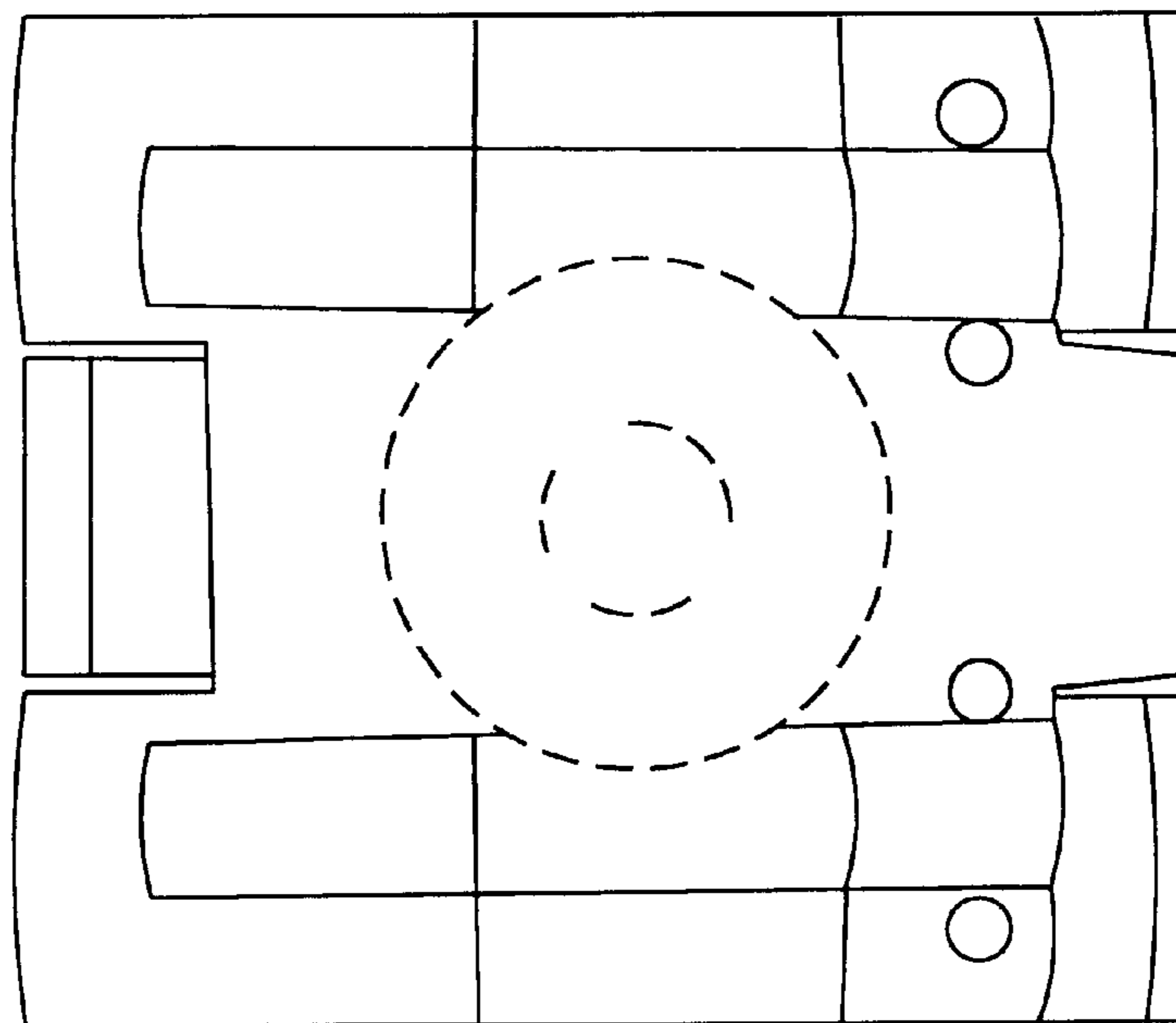


Fig. 7