



US00D526277S

(12) **United States Design Patent**  
**Wu**

(10) **Patent No.:** **US D526,277 S**

(45) **Date of Patent:** **\*\* Aug. 8, 2006**

(54) **INTERFACE OF AN ELECTRICAL CONNECTOR**

(75) Inventor: **Jerry Wu**, Irvine, CA (US)

(73) Assignee: **Hon Hai Precision Ind. Co., Ltd.**,  
Taipei Hsien (TW)

(\*\*) Term: **14 Years**

(21) Appl. No.: **29/211,229**

(22) Filed: **Aug. 11, 2004**

**Related U.S. Application Data**

(63) Continuation-in-part of application No. 10/456,369, filed on Jun. 6, 2003, now Pat. No. 6,942,524.

(51) **LOC (8) Cl.** ..... **13-03**

(52) **U.S. Cl.** ..... **D13/147**

(58) **Field of Classification Search** ..... D13/133,  
D13/146-147, 184, 199; 439/62, 79, 108,  
439/260, 329, 375, 422, 495, 499, 607, 637-639  
See application file for complete search history.

(56) **References Cited**

**U.S. PATENT DOCUMENTS**

5,584,728 A \* 12/1996 Cheng ..... 439/637

D443,861 S \* 6/2001 Ko et al. .... D13/147  
D455,127 S \* 4/2002 Wu ..... D13/147  
6,733,343 B1 \* 5/2004 Morita et al. .... 439/680  
D491,895 S \* 6/2004 Lee et al. .... D13/147  
D497,596 S \* 10/2004 Hisamatsu et al. .... D13/147  
D497,598 S \* 10/2004 Kimura et al. .... D13/147  
2001/0021597 A1 \* 9/2001 Lin et al. .... 439/79  
2004/0248450 A1 \* 12/2004 Masaki et al. .... 439/325

\* cited by examiner

*Primary Examiner*—Stella Reid  
*Assistant Examiner*—Daniel Bui  
(74) *Attorney, Agent, or Firm*—Wei Te Chung

(57) **CLAIM**

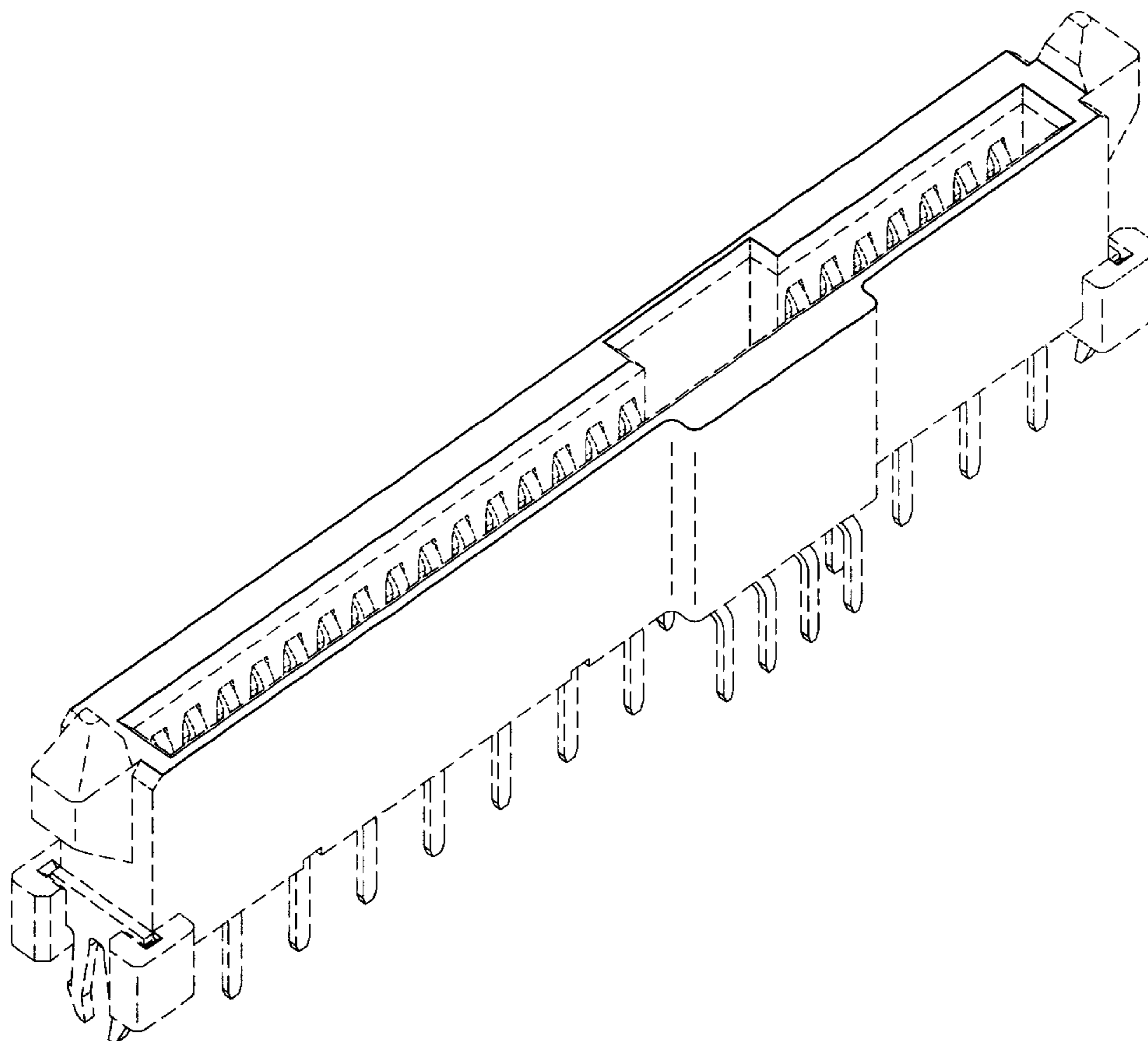
The ornamental design for an interface of an electrical connector, as shown and described.

**DESCRIPTION**

FIG. 1 is a top perspective view of an interface of an electrical connector, showing my new design; and, FIG. 2 is a top plan view thereof.

The broken line showing of the environment is for illustrative purposes only and forms no part of the claimed design.

**1 Claim, 2 Drawing Sheets**



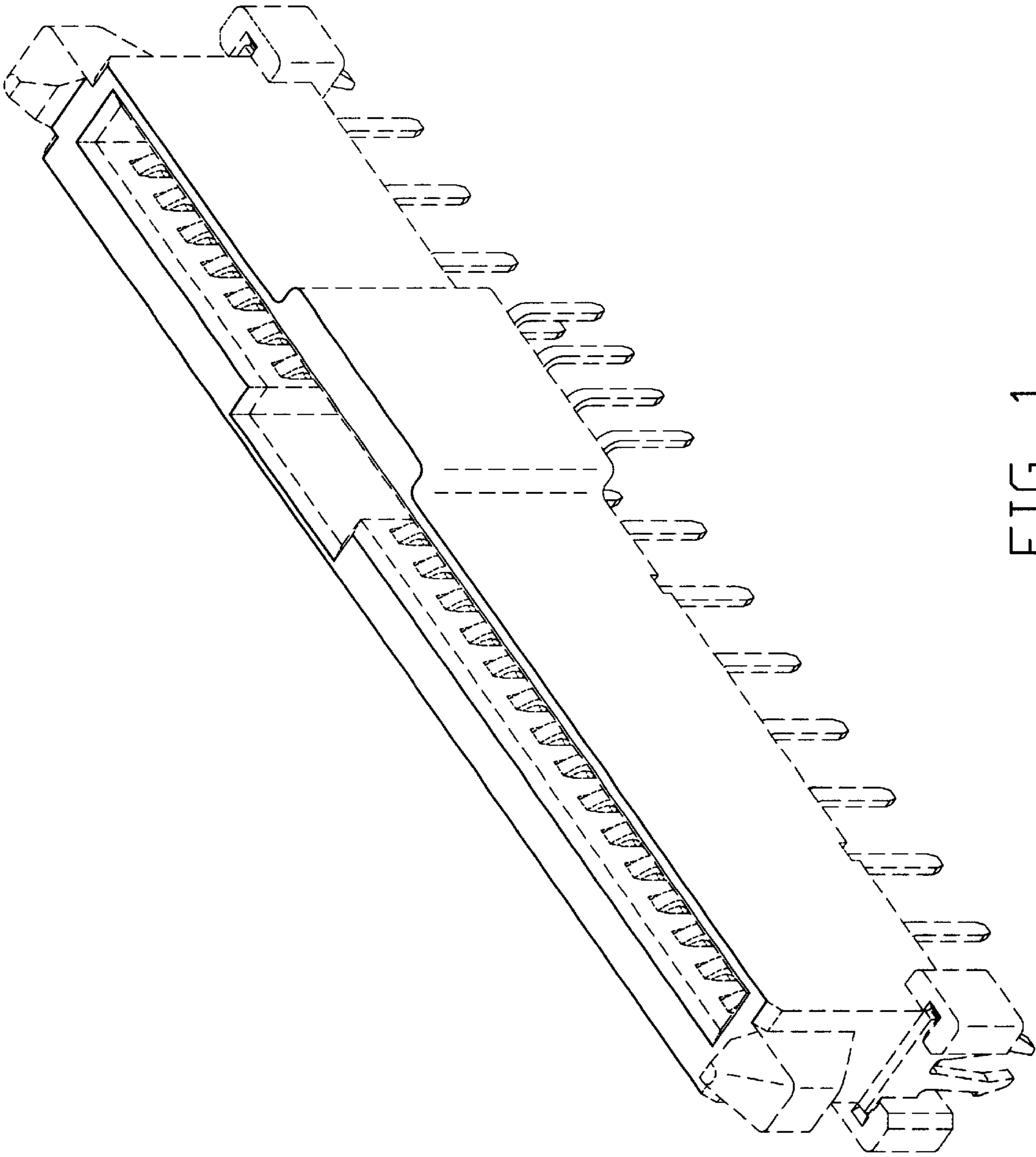


FIG. 1

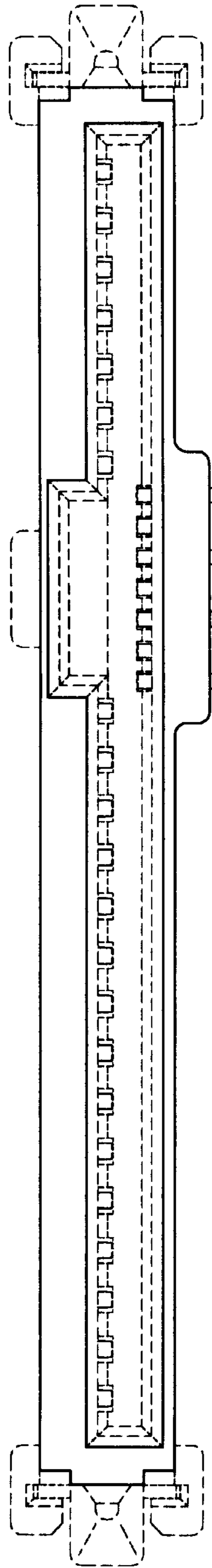


FIG. 2