

US00D526275S

(12) **United States Design Patent**
Han et al.

(10) **Patent No.:** **US D526,275 S**

(45) **Date of Patent:** **** Aug. 8, 2006**

(54) **BRUSH HOLDER FOR MOTOR**

(75) Inventors: **Dong Yeol Han**, Ichon (KR); **Kwang Hae Yun**, Ichon (KR); **Chan Yong Park**, Ichon (KR)

(73) Assignee: **SPG Co., Ltd.** (KR)

(**) Term: **14 Years**

(21) Appl. No.: **29/210,069**

(22) Filed: **Jul. 27, 2004**

(51) **LOC (8) Cl.** **13-01**

(52) **U.S. Cl.** **D13/112**

(58) **Field of Classification Search** D13/112,
D13/101, 113, 118, 122; D15/3, 5; 310/68,
310/239, 242, 245

See application file for complete search history.

(56) **References Cited**

U.S. PATENT DOCUMENTS

D174,148 S	*	3/1955	Rijn	D13/112
3,745,393 A	*	7/1973	Spors	310/239
4,355,253 A	*	10/1982	Vollbrecht	310/239
4,673,837 A	*	6/1987	Gingerich et al.	310/239

5,252,878 A	*	10/1993	Spellman et al.	310/239
5,610,467 A	*	3/1997	Shiah et al.	310/239
2002/0096949 A1	*	7/2002	Yagi et al.	310/68 C

* cited by examiner

Primary Examiner—Stella Reid

Assistant Examiner—Derrick Holland

(74) *Attorney, Agent, or Firm*—Rothwell, Figg, Ernst & Manbeck, PC

(57) **CLAIM**

The ornamental design for a brush holder for motor, as shown and described.

DESCRIPTION

FIG. 1 is a front perspective view of a brush holder showing the new design.

FIG. 2 is a front view thereof;

FIG. 3 is a rear view thereof;

FIG. 4 is a top plan view thereof;

FIG. 5 is a bottom plan view thereof;

FIG. 6 is a left side view thereof;

FIG. 7 is a right side view thereof; and,

FIG. 8 is a rear perspective view thereof.

1 Claim, 8 Drawing Sheets

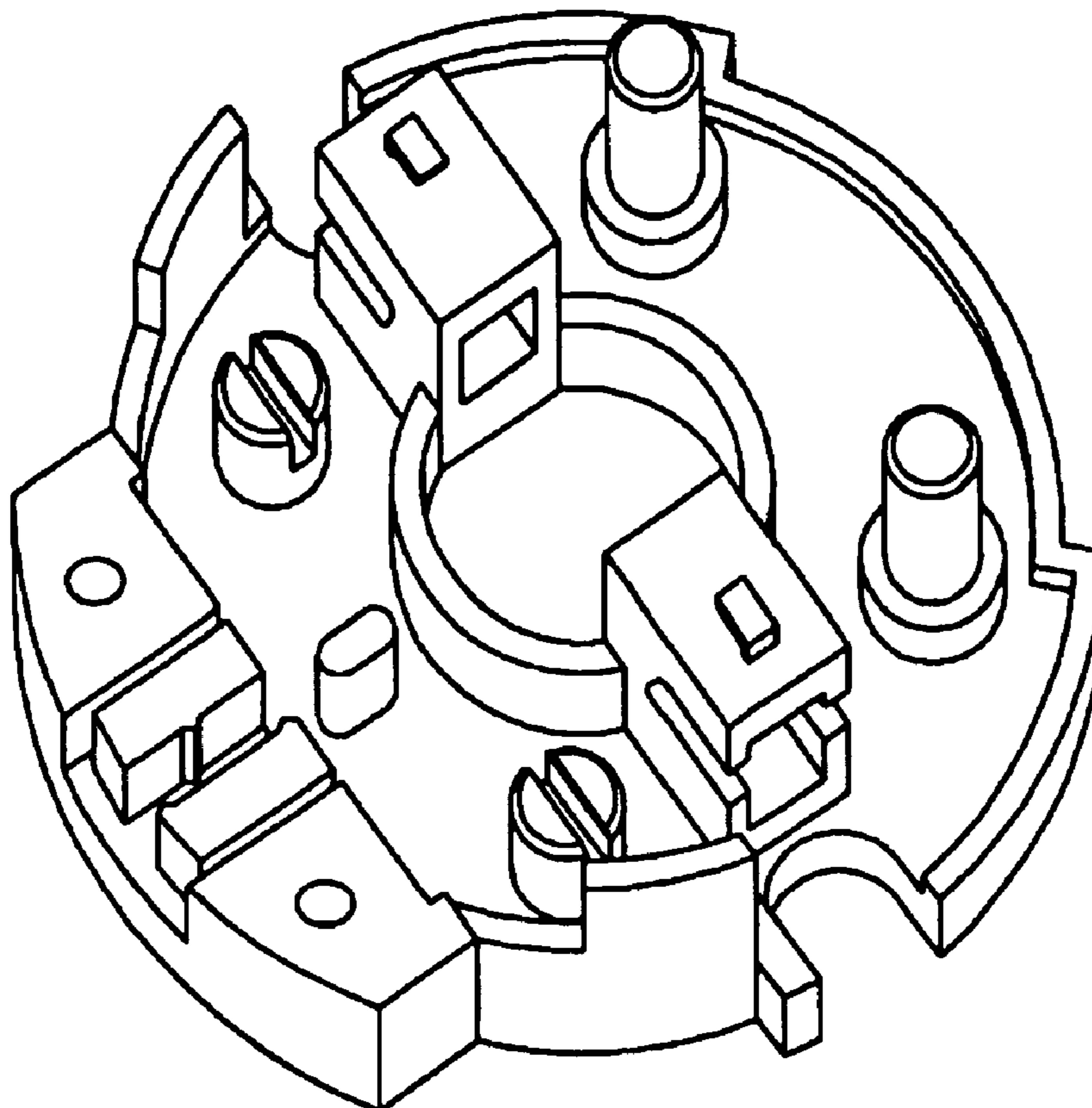


Fig 1.

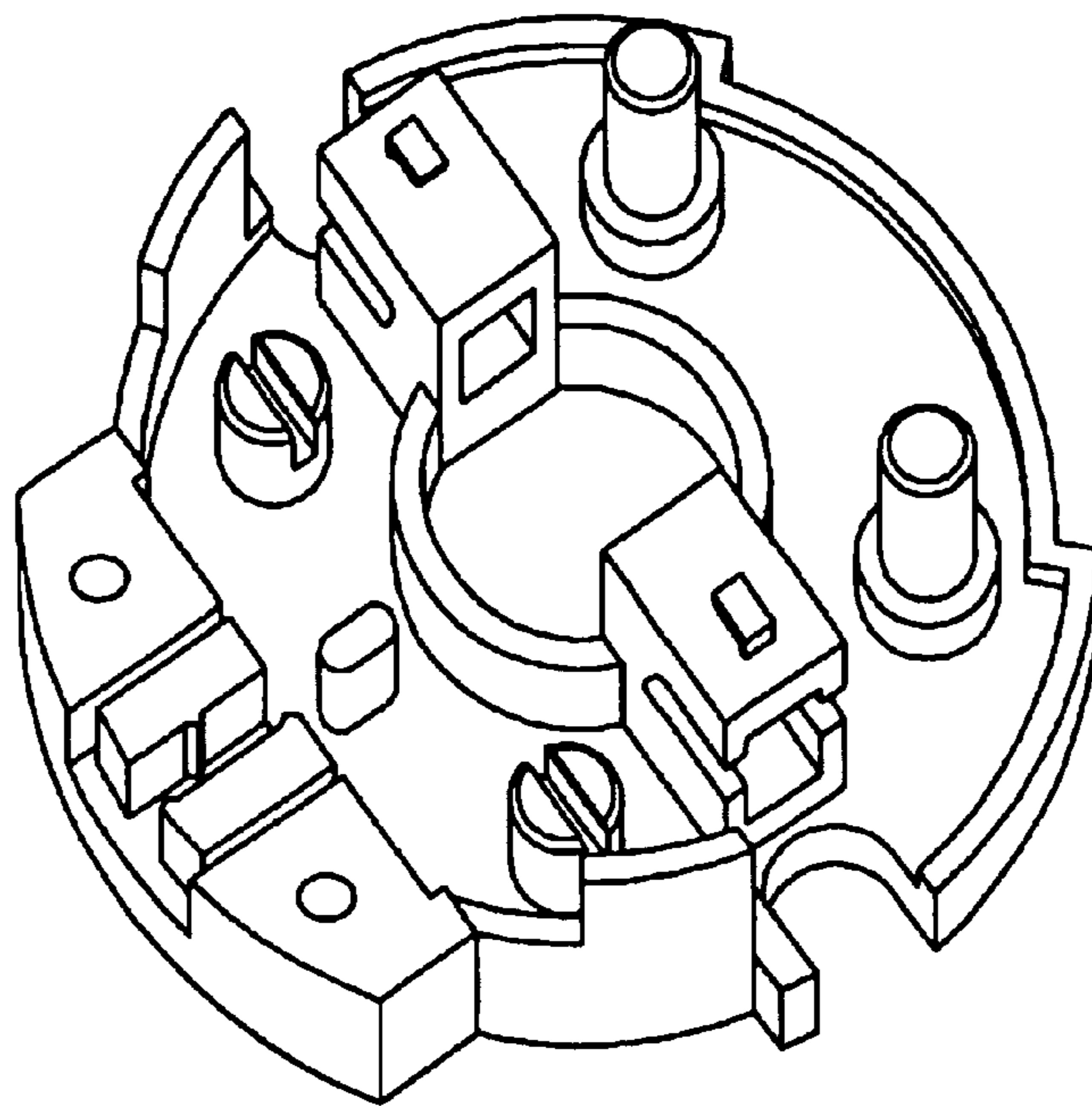


Fig 2.

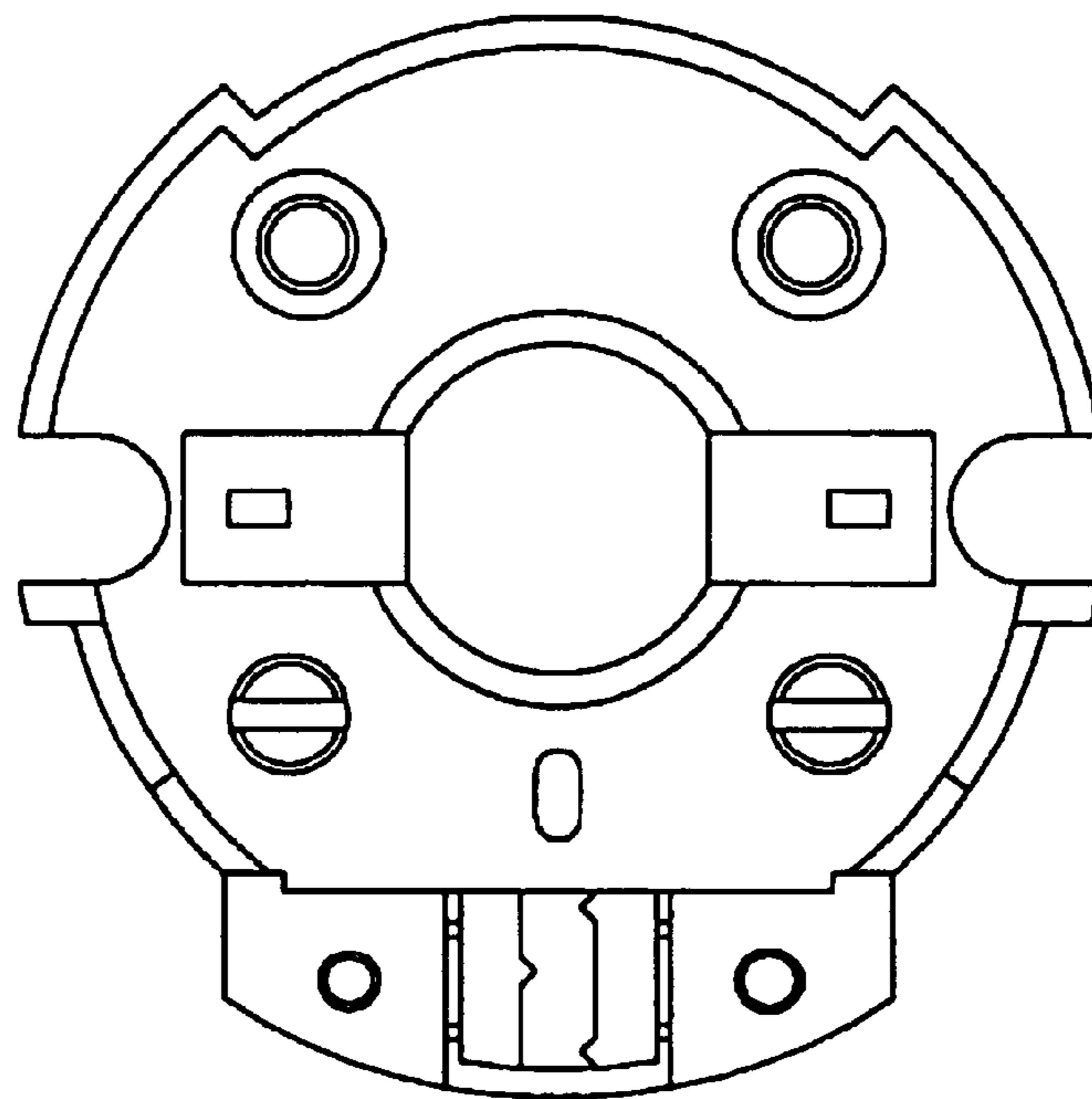


Fig 3.

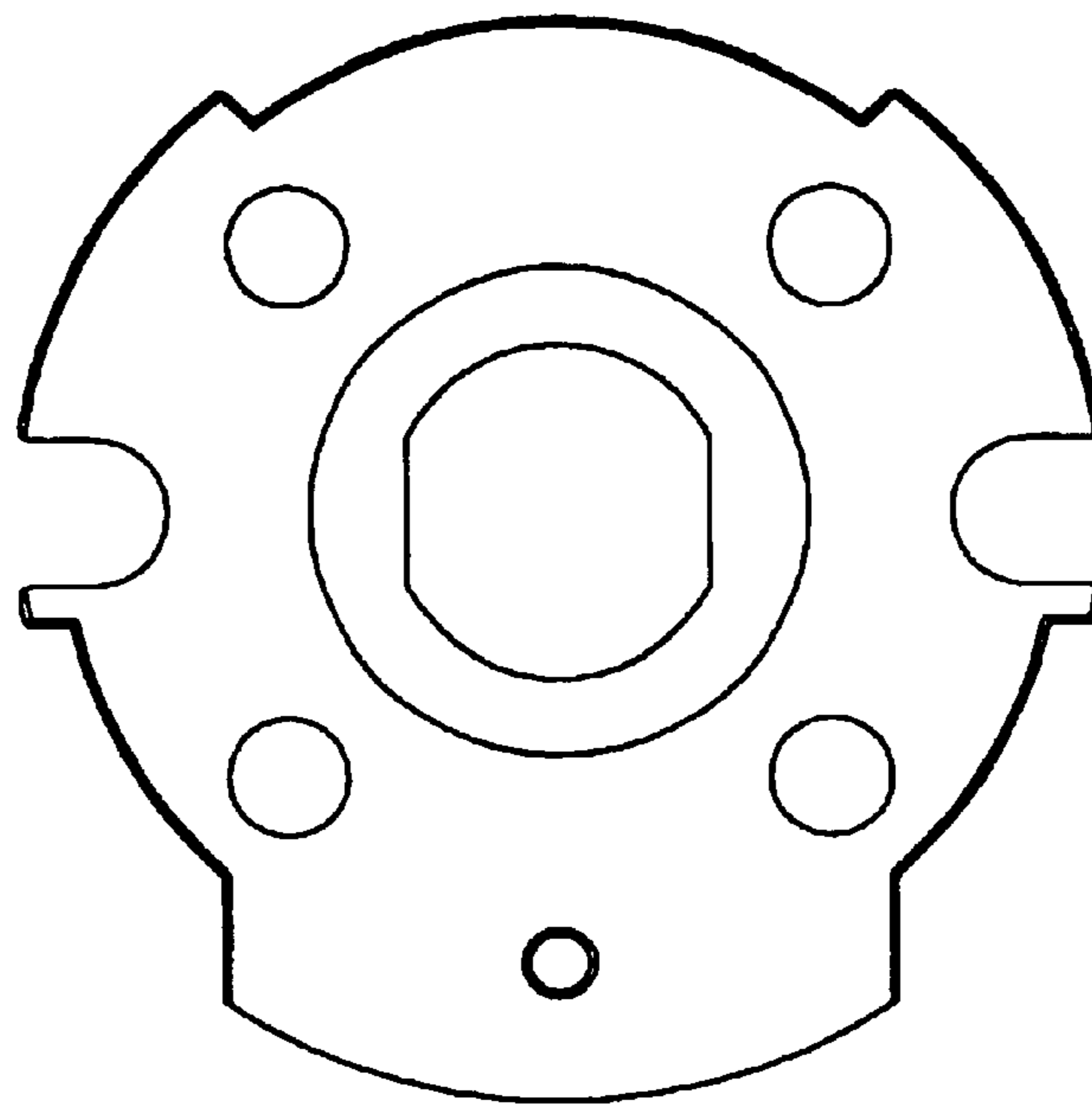


Fig 4.

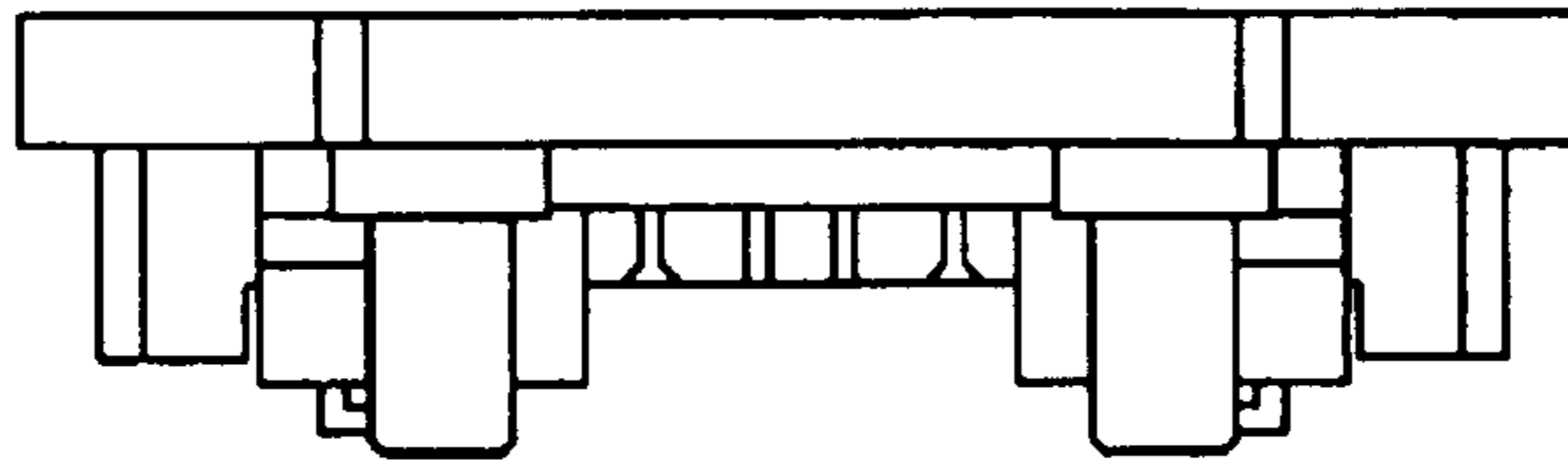


Fig 5.

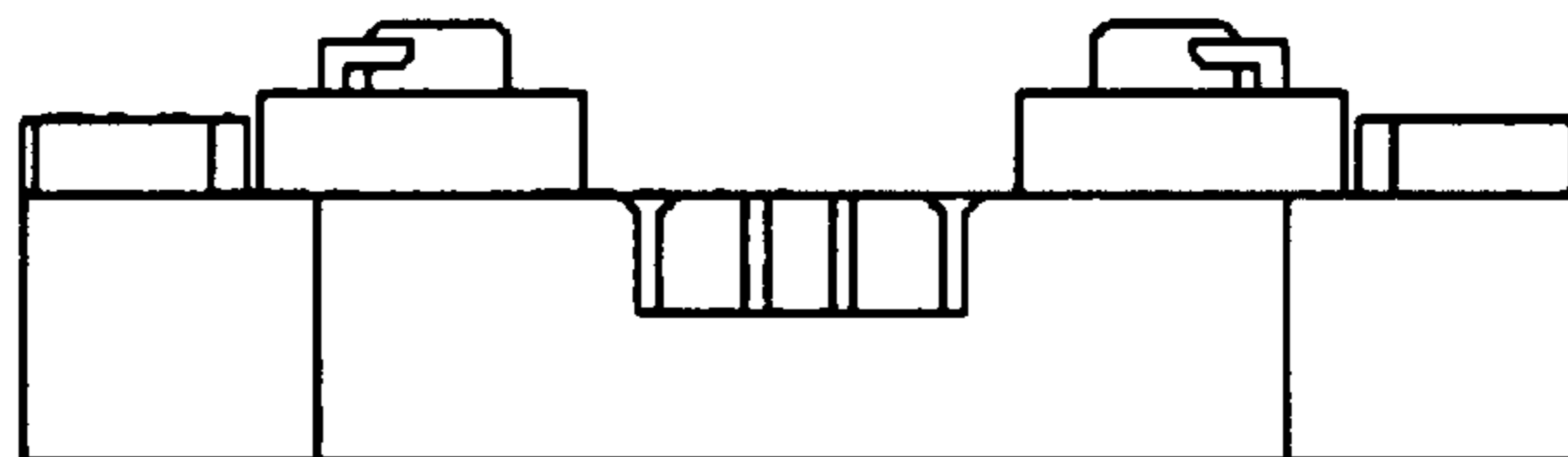


Fig 6.

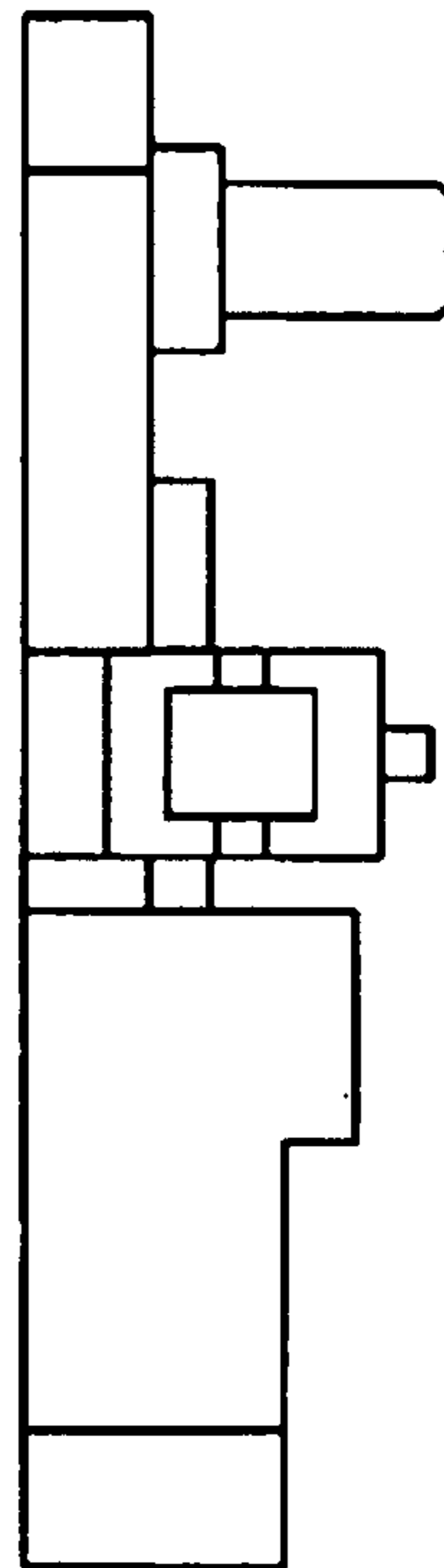


Fig 7.

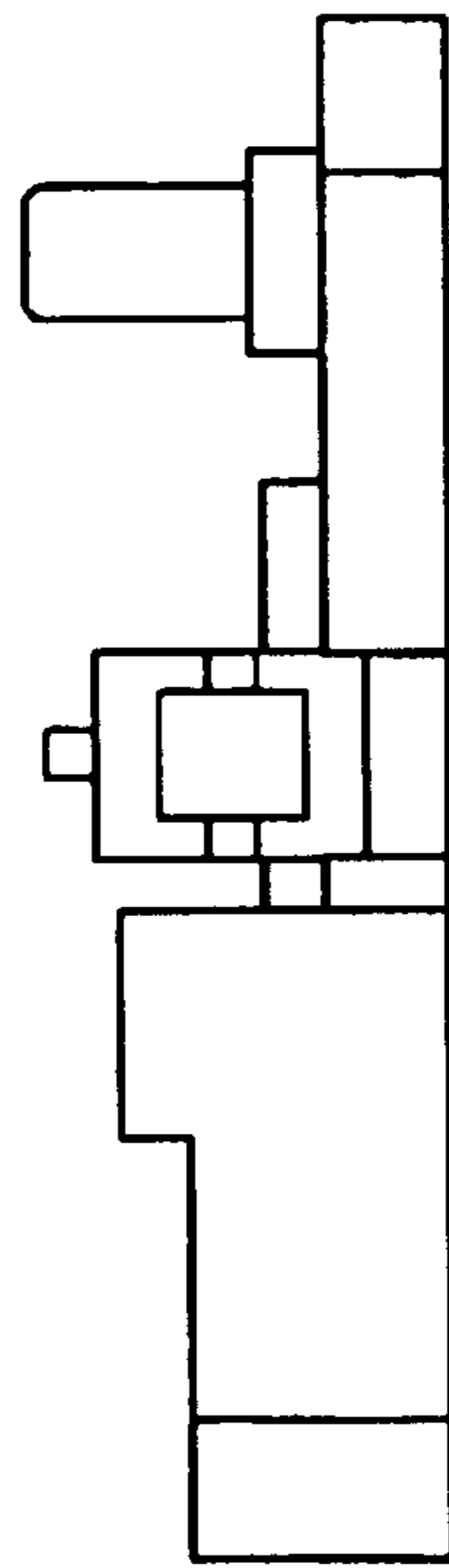


Fig 8.

