

US00D526274S

(12) **United States Design Patent**
Kobayashi et al.

(10) **Patent No.:** **US D526,274 S**
(45) **Date of Patent:** **** Aug. 8, 2006**

(54) **NOISE FILTER**

(75) Inventors: **Katsumi Kobayashi**, Sakata (JP);
Toshihiro Kuroshima, Sakata (JP)
(73) Assignee: **TDK Corporation**, Tokyo (JP)
(**) Term: **14 Years**

(21) Appl. No.: **29/220,873**

(22) Filed: **Jan. 10, 2005**

(30) **Foreign Application Priority Data**

Jul. 13, 2004 (JP) 2004-021101

(51) **LOC (8) Cl.** **13-02**

(52) **U.S. Cl.** **D13/110; D13/133**

(58) **Field of Classification Search** D13/110,
D13/101, 118, 133, 146, 156; D8/396; 174/19,
174/58, 60, 257, 258; 307/151; 361/679,
361/707, 728; 363/39

See application file for complete search history.

(56) **References Cited**

U.S. PATENT DOCUMENTS

D314,186 S *	1/1991	Fujioka	D13/199
D319,217 S *	8/1991	Fujioka	D13/199
D361,310 S *	8/1995	Kawamura	D13/110
D369,778 S *	5/1996	Tamaki	D13/110
5,920,250 A *	7/1999	Watanabe et al.	336/92
6,072,125 A *	6/2000	Takeuchi	174/92
6,469,589 B1 *	10/2002	Takeda	333/12

FOREIGN PATENT DOCUMENTS

JP	U 03-013798	2/1991
JP	U 03-013799	2/1991
JP	U 03-059693	6/1991
JP	U 03-077421	8/1991
JP	A 03-181106	8/1991
JP	A 10-032395	2/1998
JP	A 2000-091136	3/2000
JP	1127718	12/2001

* cited by examiner

Primary Examiner—Stella Reid

Assistant Examiner—Derrick Holland

(74) *Attorney, Agent, or Firm*—Oliff & Berridge, PLC

(57) **CLAIM**

The ornamental design for noise filter, as shown and described.

DESCRIPTION

FIG. 1 is a perspective view of a noise filter, showing our new design;

FIG. 2 is a front elevation view thereof;

FIG. 3 is a rear elevation view thereof;

FIG. 4 is a right side elevation view, with the left side being a mirror image thereof;

FIG. 5 is a top plan view thereof;

FIG. 6 is a bottom plan view thereof; and,

FIG. 7 is a perspective view thereof.

The broken lines showing is for illustrative purposes only and forms no part of the claimed design.

1 Claim, 4 Drawing Sheets

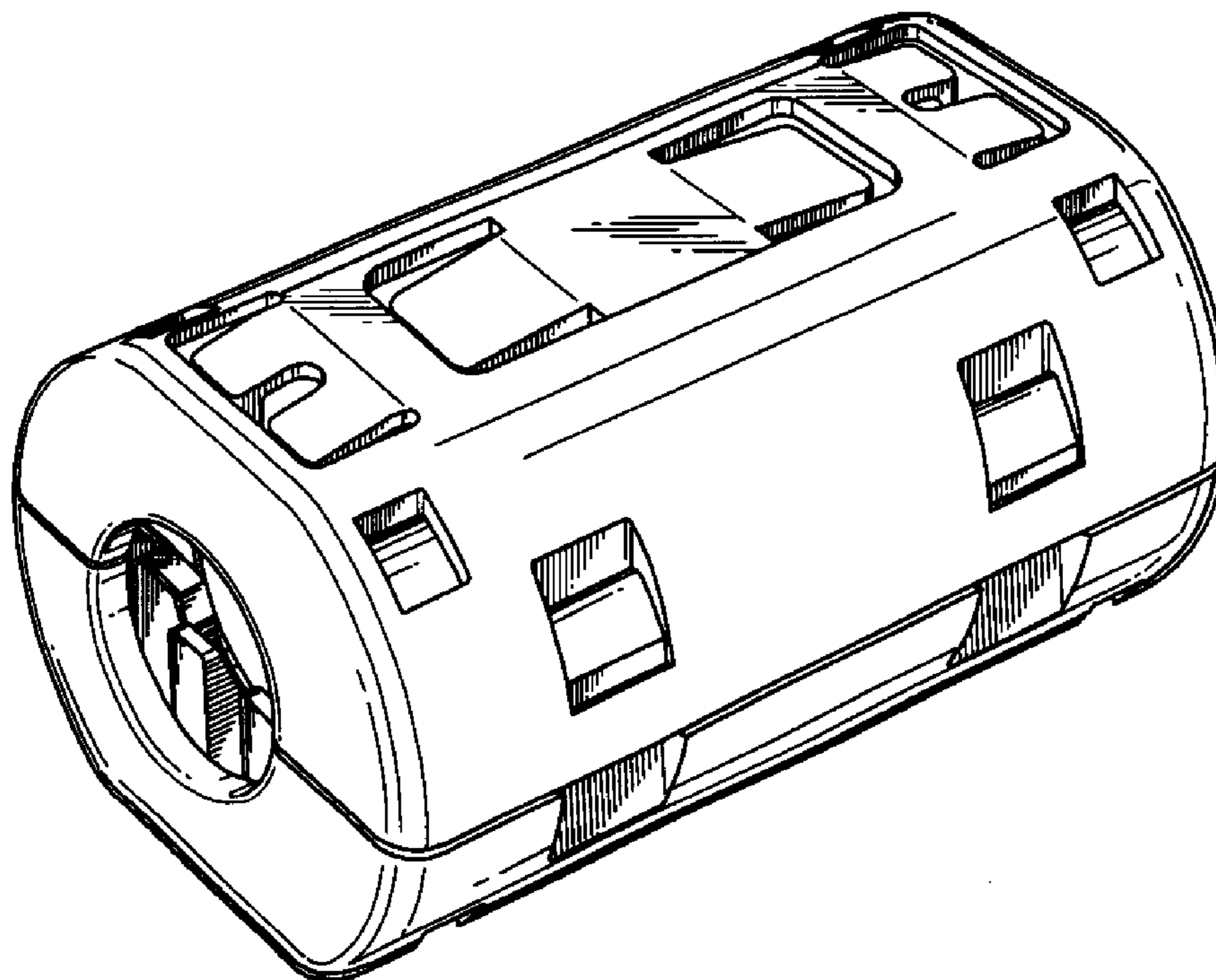


FIG.1

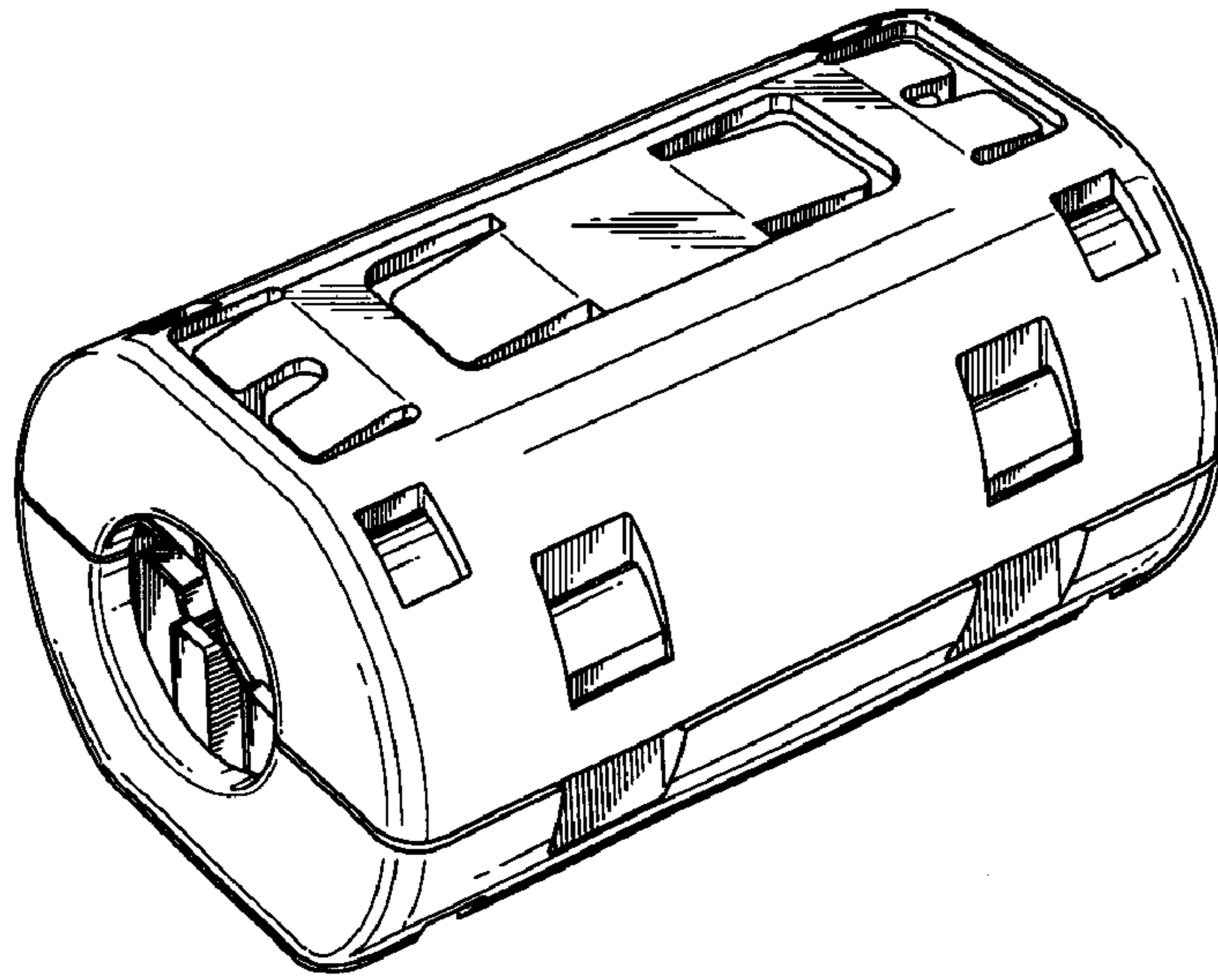


FIG.2

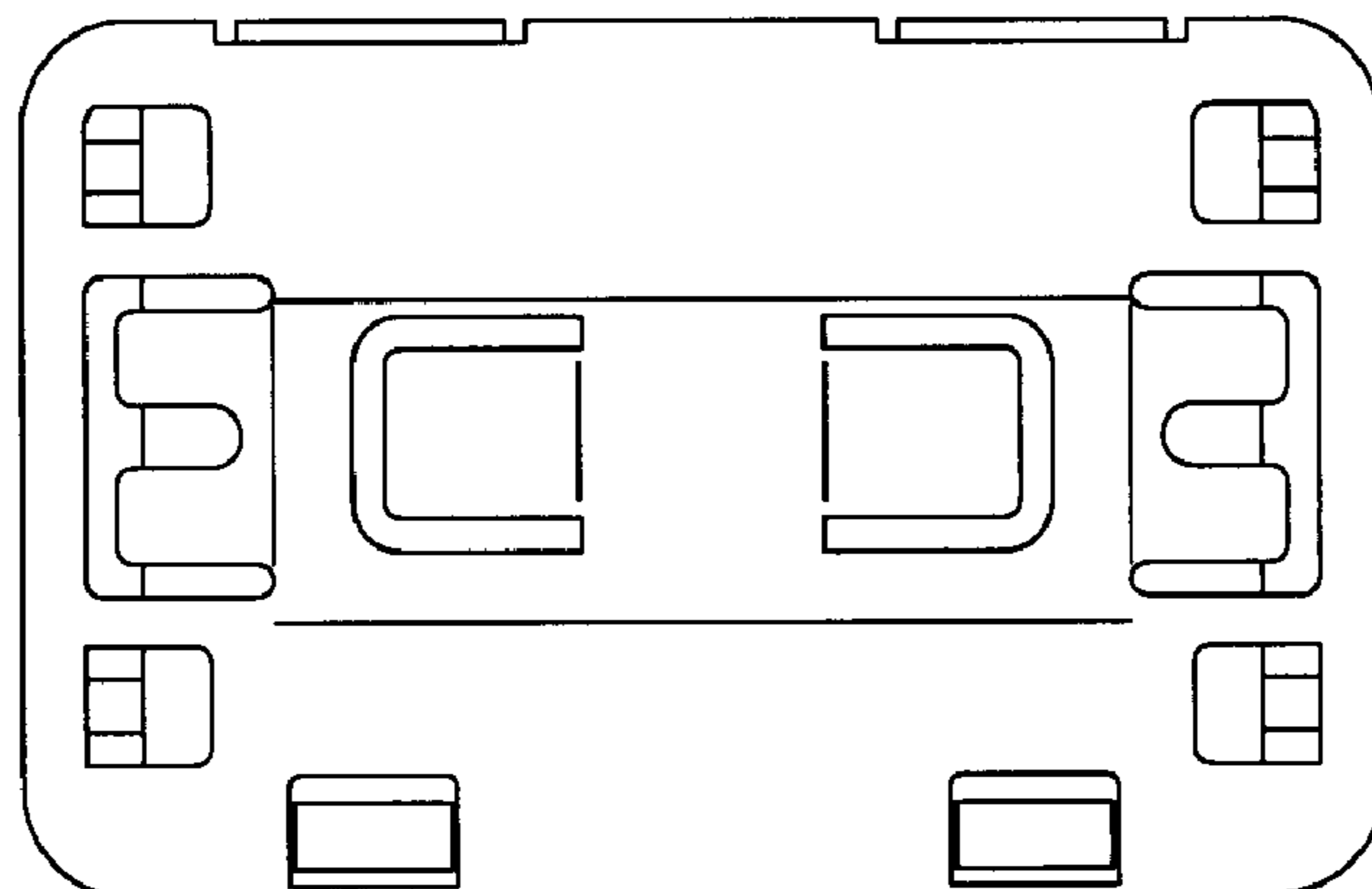


FIG.3

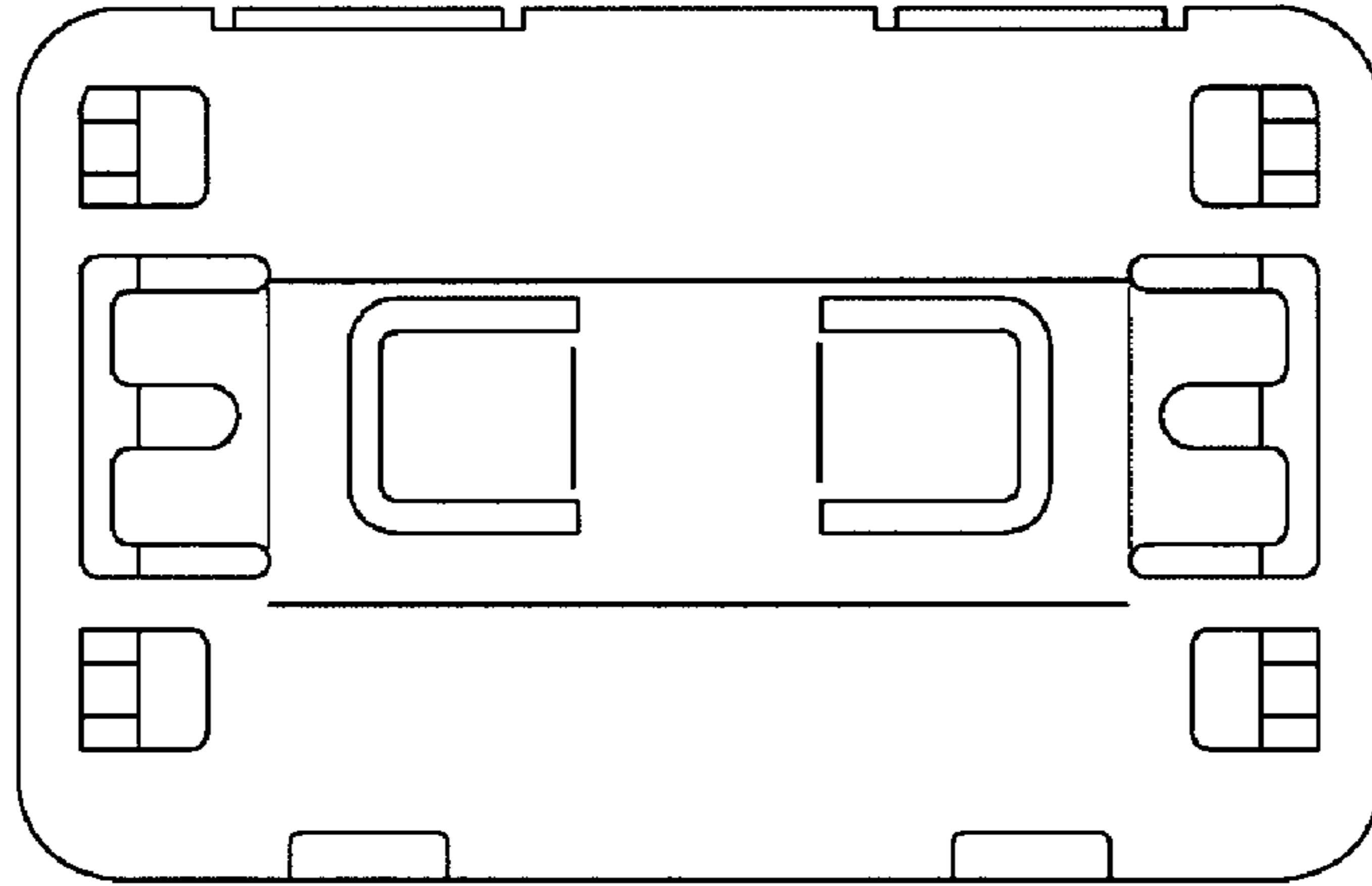


FIG.4

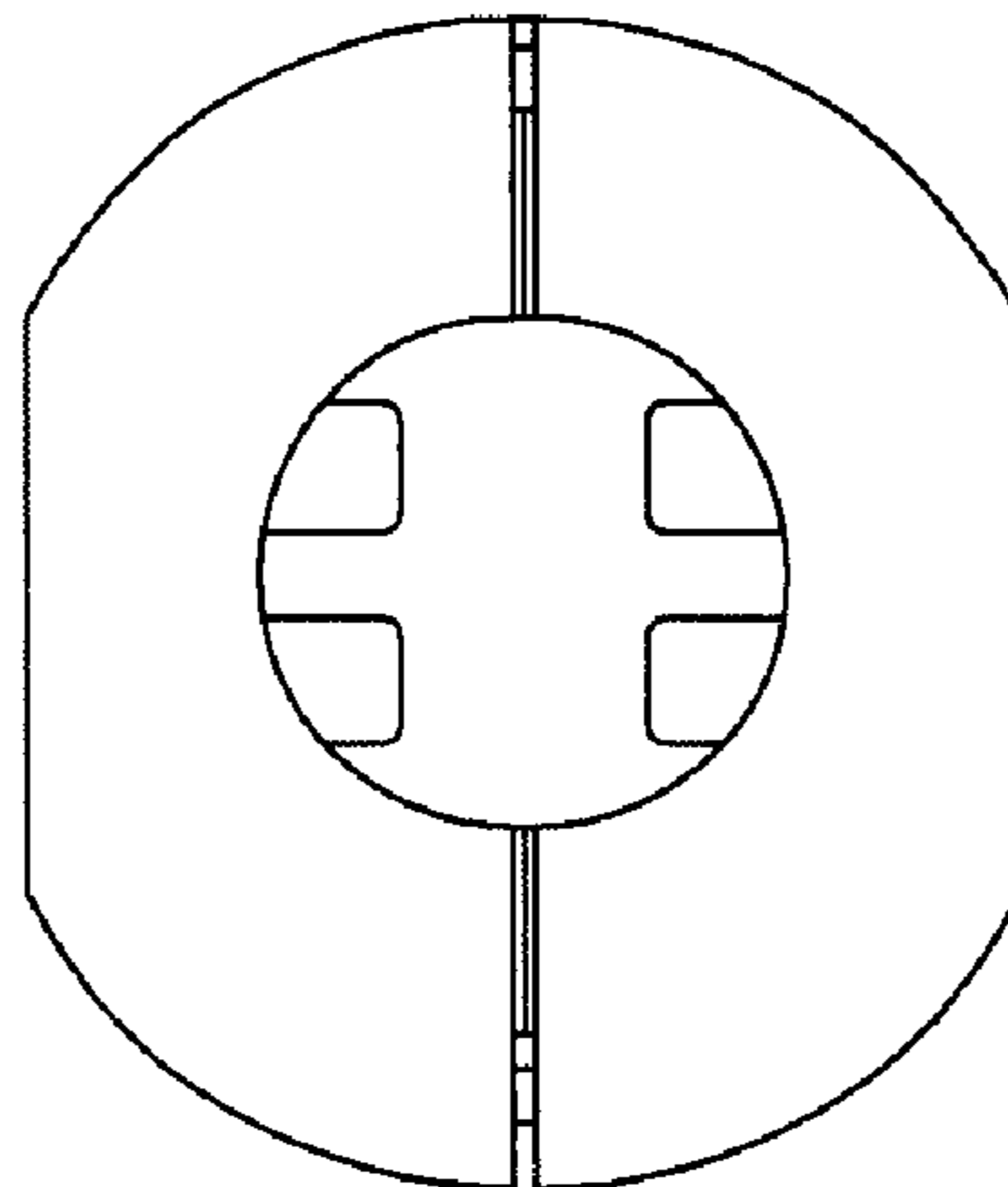


FIG.5

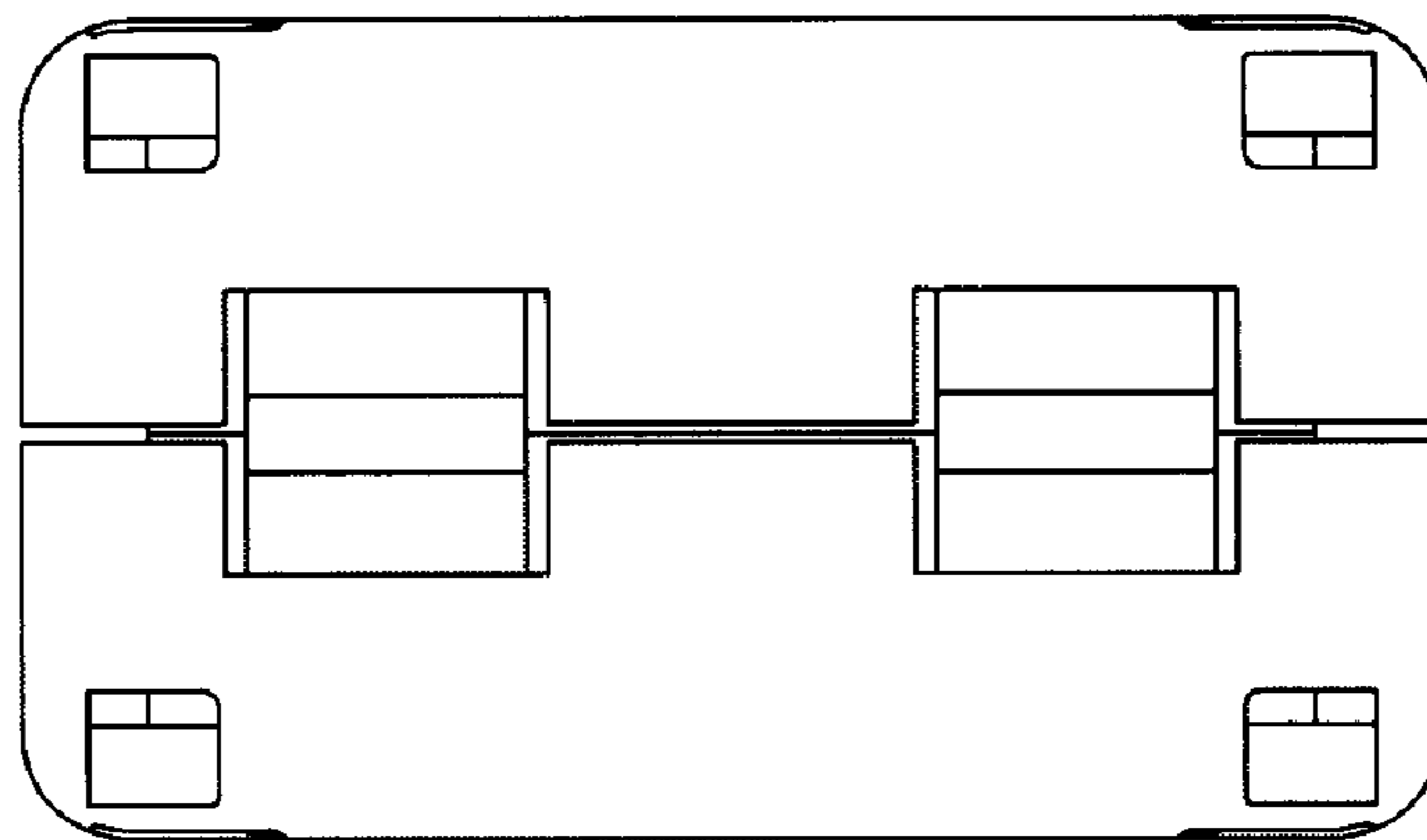


FIG.6

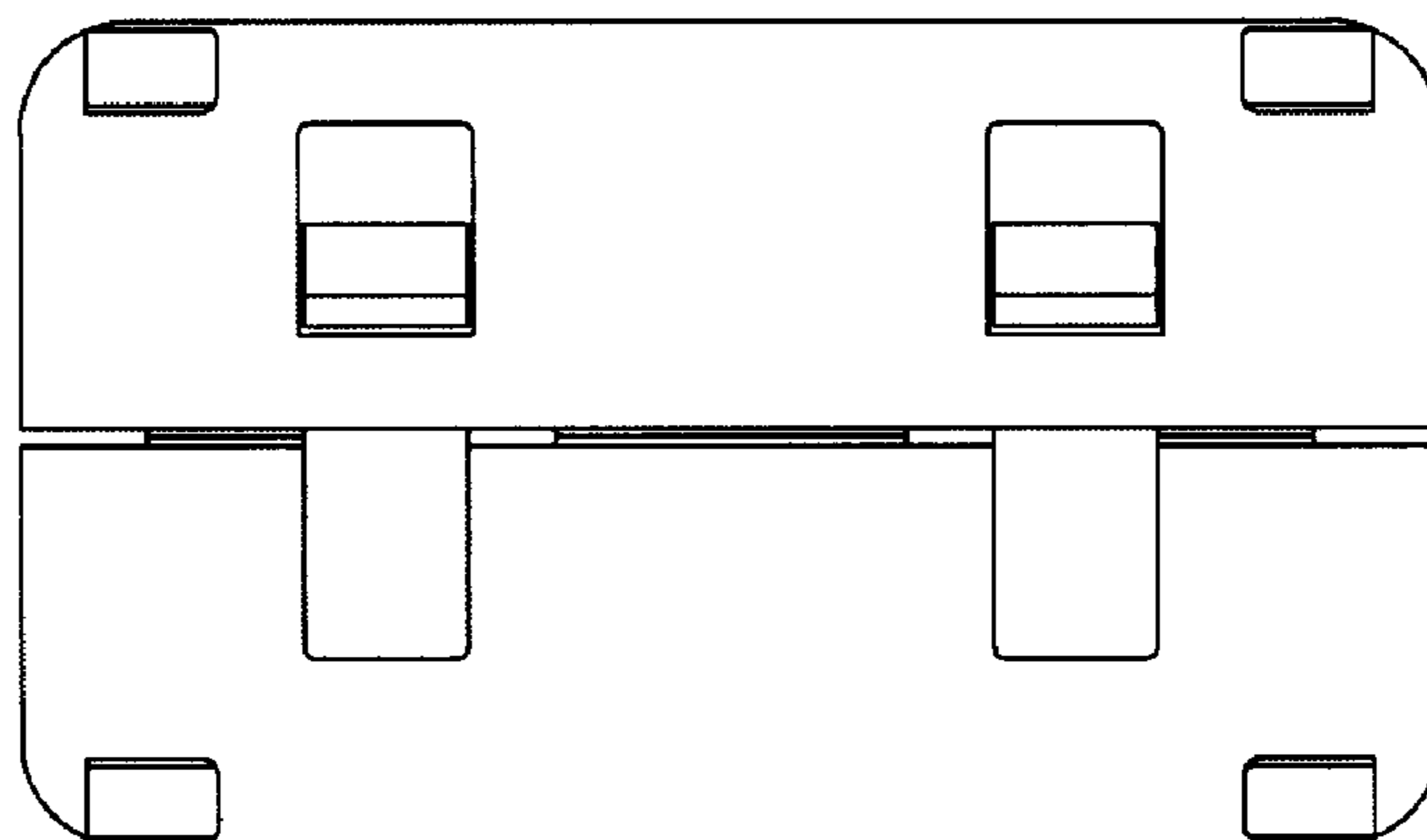


FIG.7

