



US00D526273S

(12) **United States Design Patent**  
**Le et al.**

(10) **Patent No.:** **US D526,273 S**

(45) **Date of Patent:** **\*\* Aug. 8, 2006**

(54) **TRANSFORMER**

(75) Inventors: **Hoan D. Le**, Wendell, NC (US); **Steve A. Shaw**, Greenville, NC (US)

(73) Assignee: **ABB Technology AG**, Zurich (CH)

(\*\*) Term: **14 Years**

(21) Appl. No.: **29/219,097**

(22) Filed: **Dec. 13, 2004**

(51) **LOC (8) Cl.** ..... **13-02**

(52) **U.S. Cl.** ..... **D13/110**

(58) **Field of Classification Search** ..... D13/110,  
D13/4, 101, 199; 29/606; 174/61, 63; 336/65,  
336/67, 70, 90, 92, 107  
See application file for complete search history.

(56) **References Cited**

**U.S. PATENT DOCUMENTS**

- 3,028,568 A \* 4/1962 Camilli ..... 336/70
- D202,045 S \* 8/1965 Oberlin ..... D13/110
- D259,040 S \* 4/1981 Pierce ..... D13/110
- D290,456 S \* 6/1987 Burgher et al. .... D13/110
- 4,899,122 A \* 2/1990 Sommer ..... 336/65

- D324,371 S \* 3/1992 Patty ..... D13/110
- D437,824 S \* 2/2001 Sakai et al. .... D13/110
- 6,185,811 B1 \* 2/2001 Perry ..... 29/606

\* cited by examiner

*Primary Examiner*—Stella Reid

*Assistant Examiner*—Derrick Holland

(74) *Attorney, Agent, or Firm*—Michael M. Rickin

(57) **CLAIM**

We claim the ornamental design for a transformer, as shown and described.

**DESCRIPTION**

FIG. 1 is a front, right side and top perspective view of the transformer of the present invention; FIG. 2 is a front elevational view of the FIG. 1 transformer; FIG. 3 is a rear elevational view of the FIG. 1 transformer; FIG. 4 is a left side elevational view of the FIG. 1 transformer; FIG. 5 is a right side elevational view of the FIG. 1 transformer; FIG. 6 is a top plan view of the FIG. 1 transformer; and, FIG. 7 is a bottom plan view of the FIG. 1 transformer.

**1 Claim, 7 Drawing Sheets**

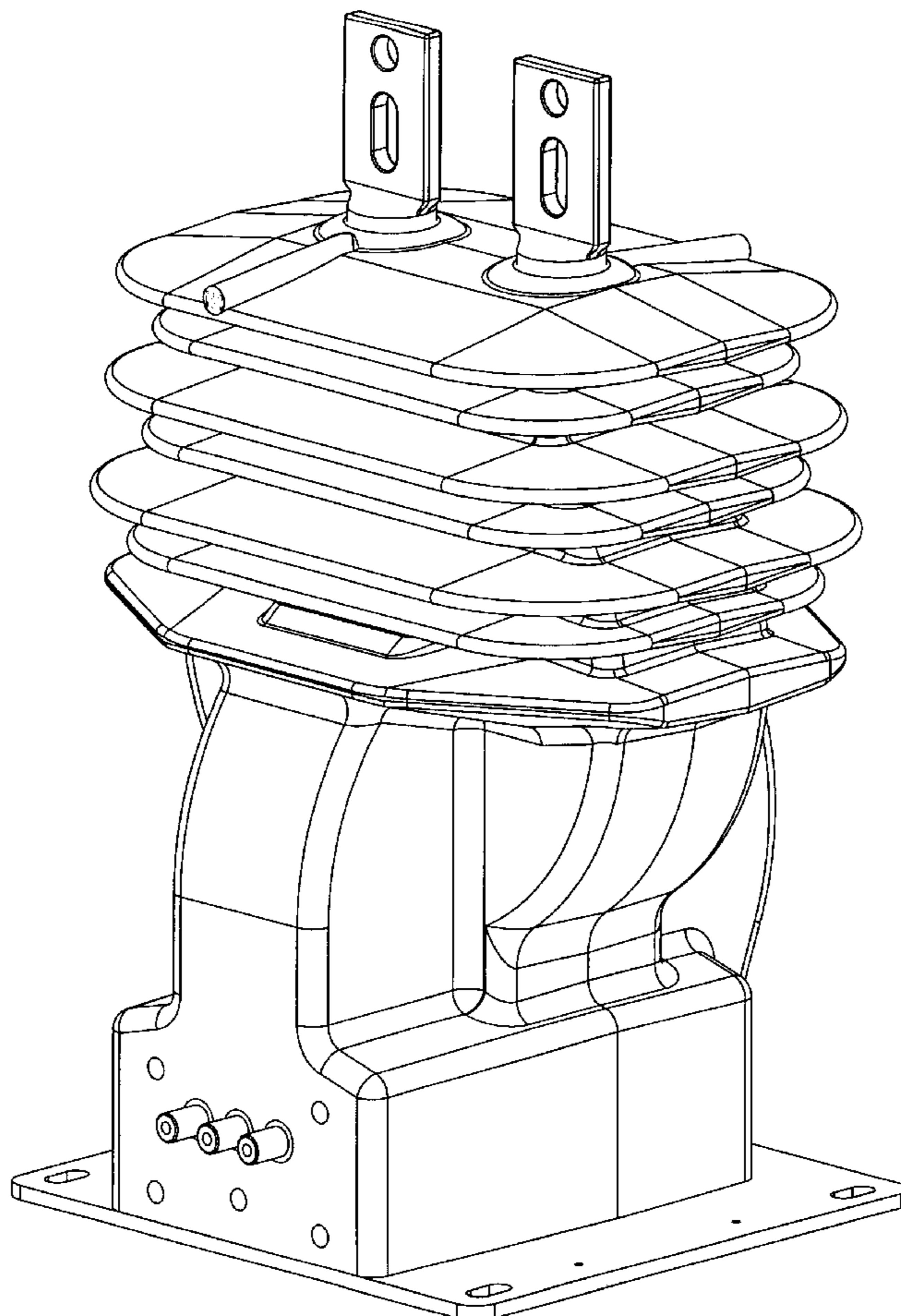


Fig. 1

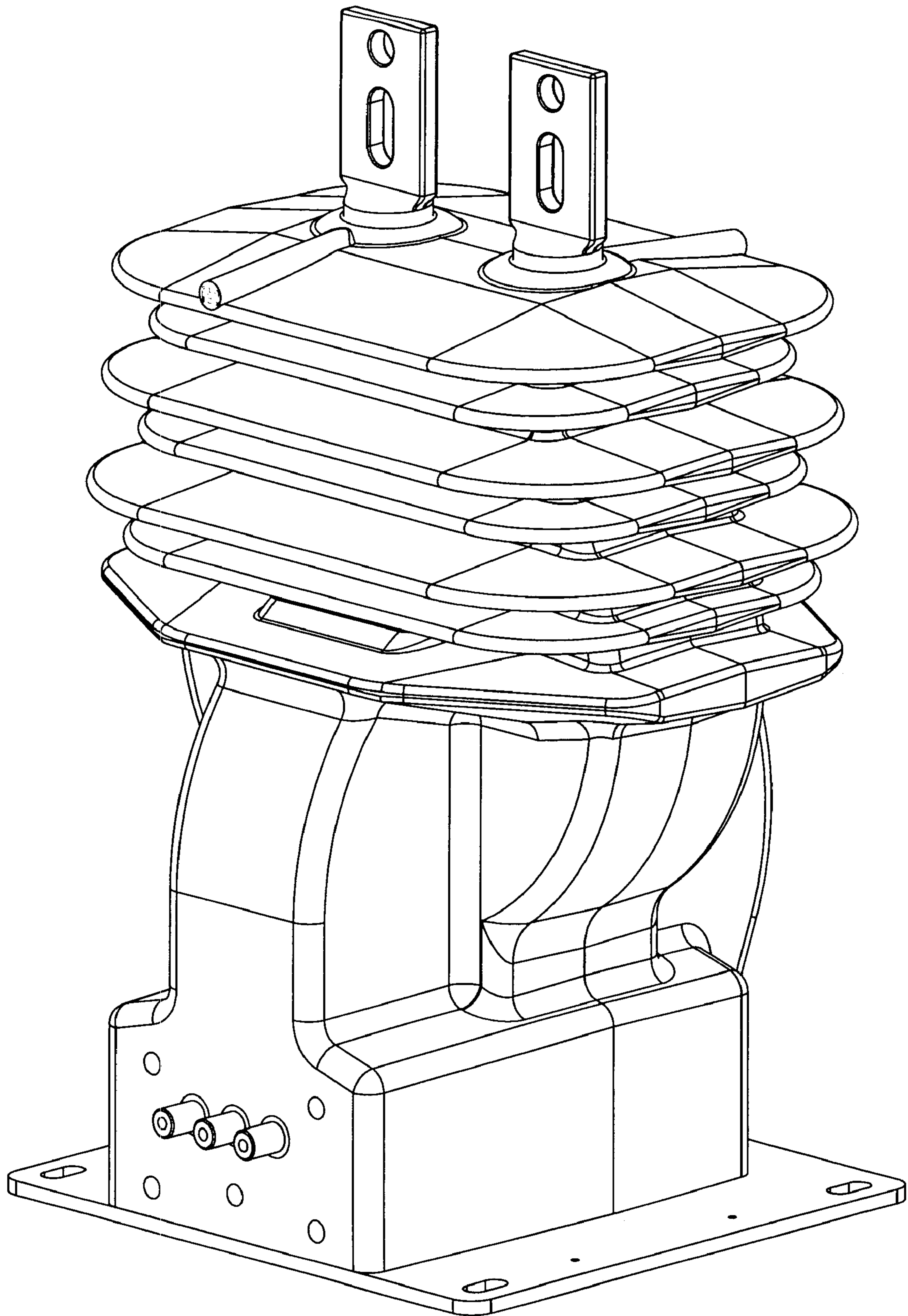


Fig. 2

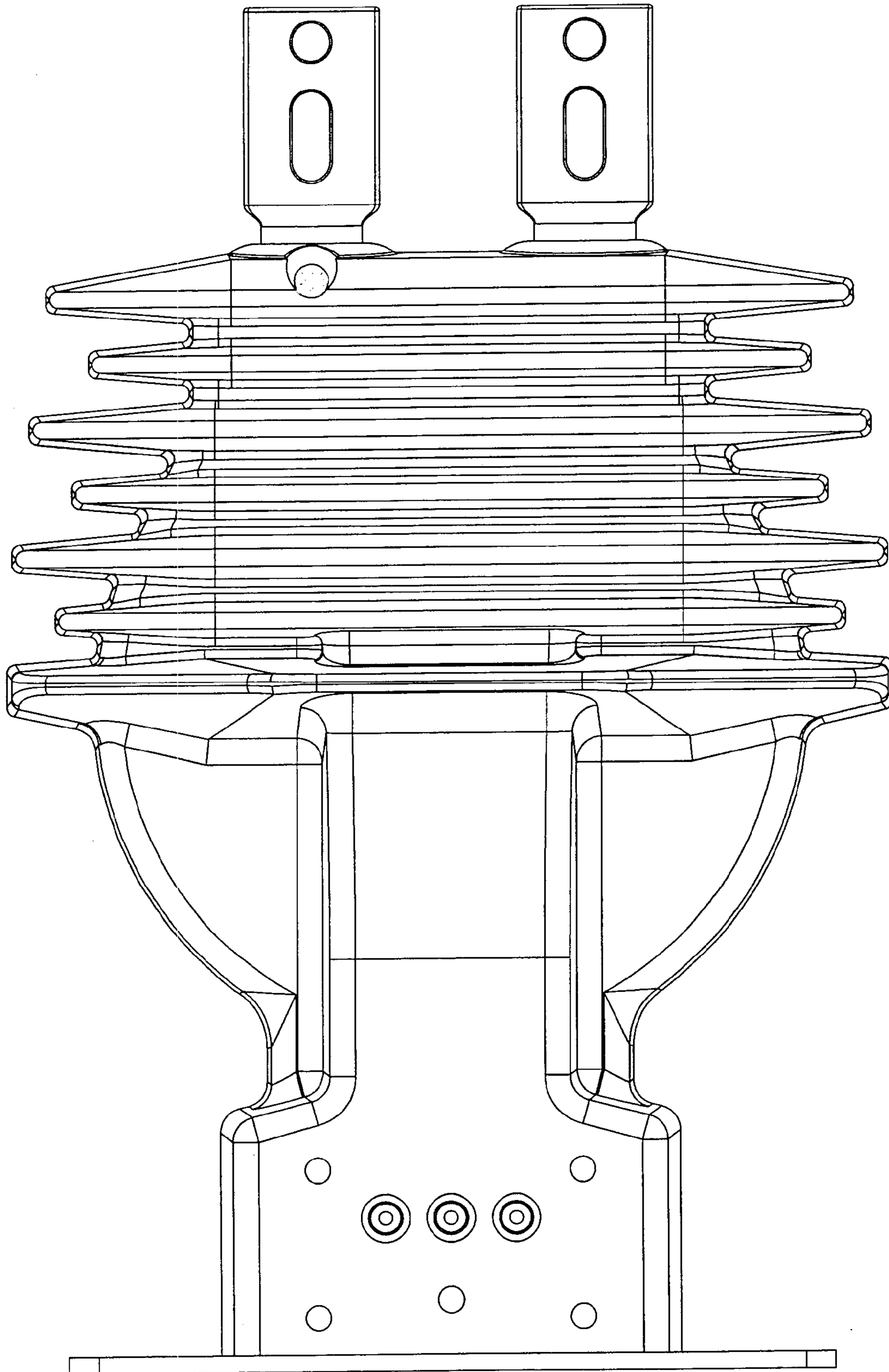


Fig. 3

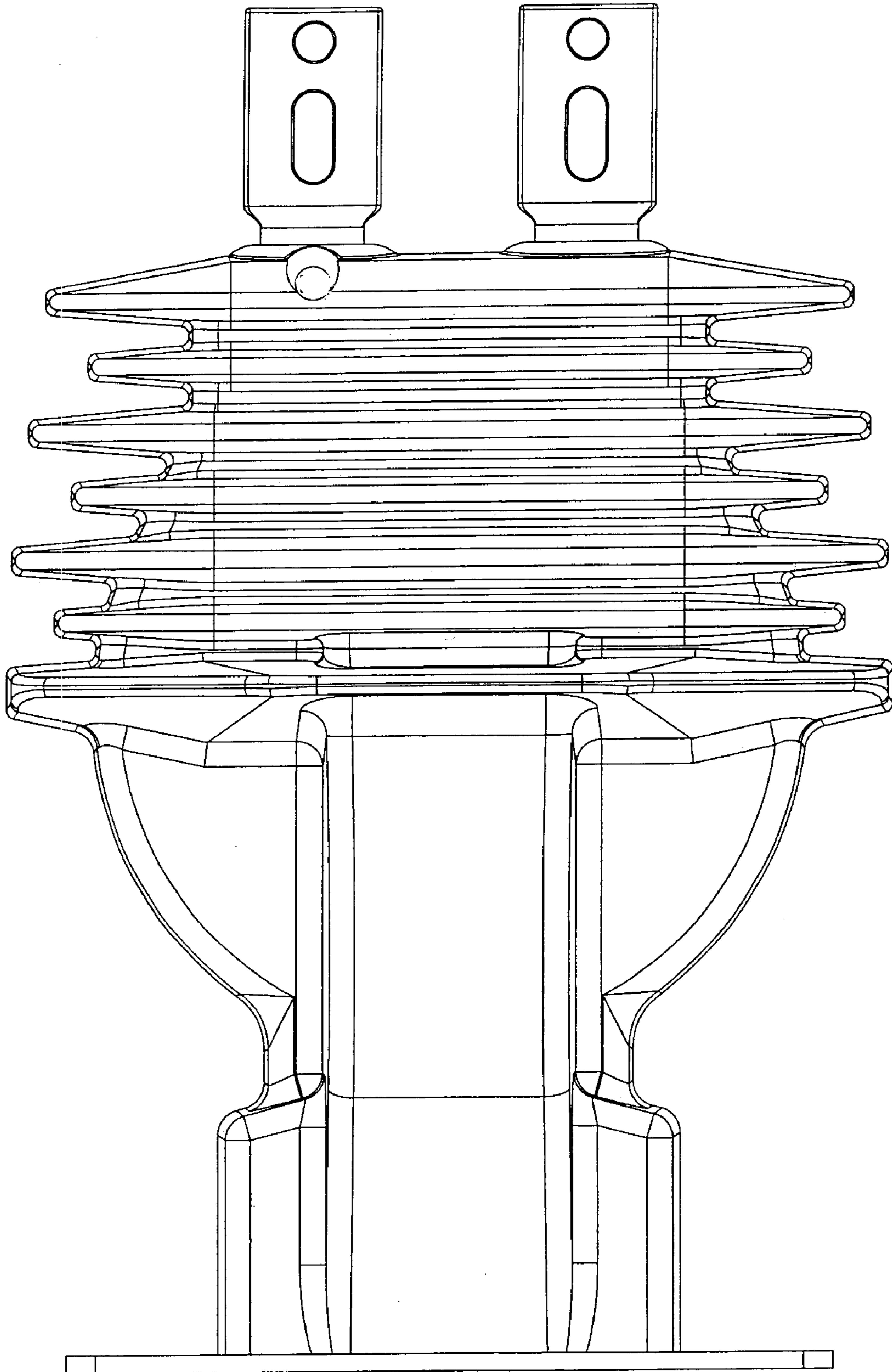


Fig. 4

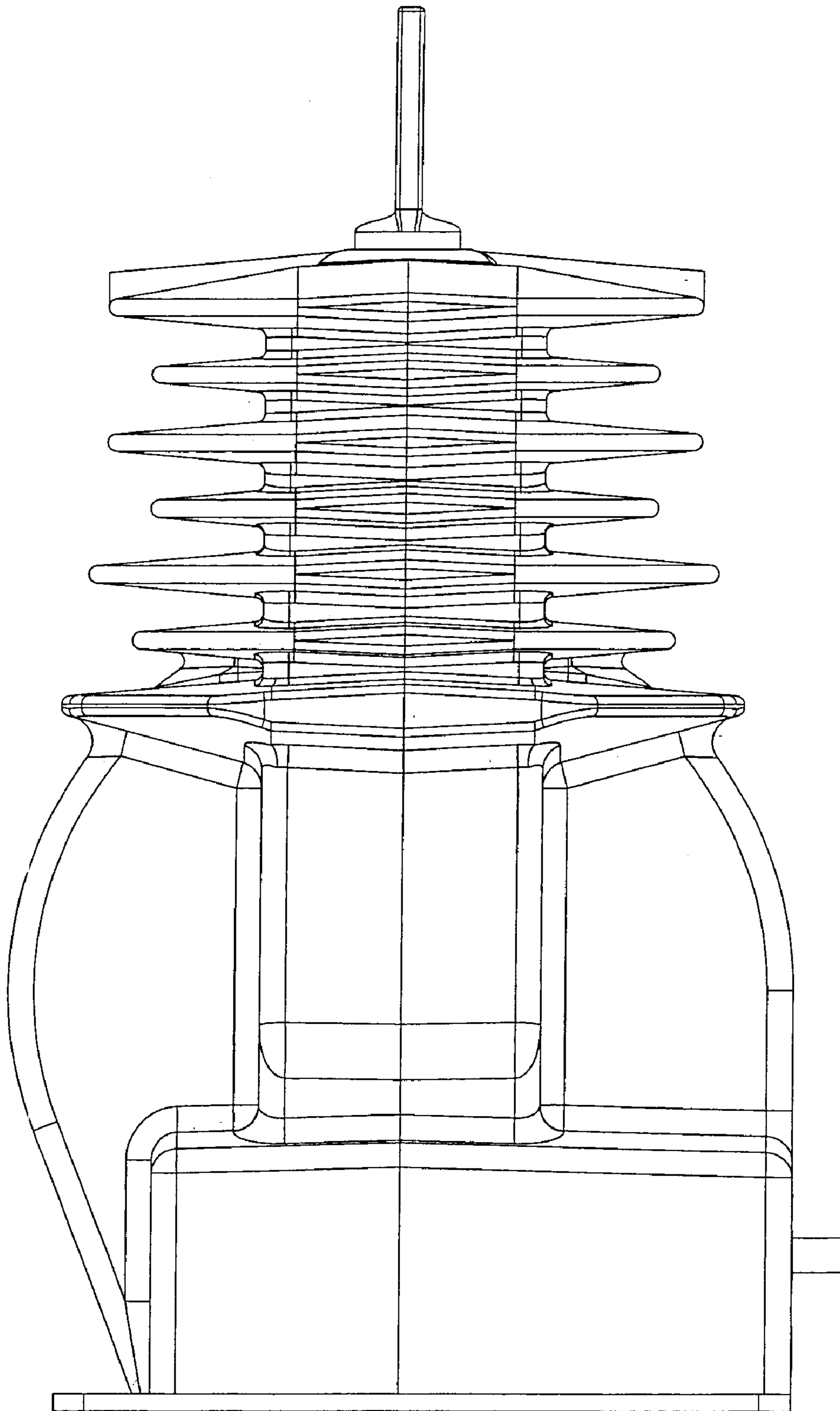


Fig. 5

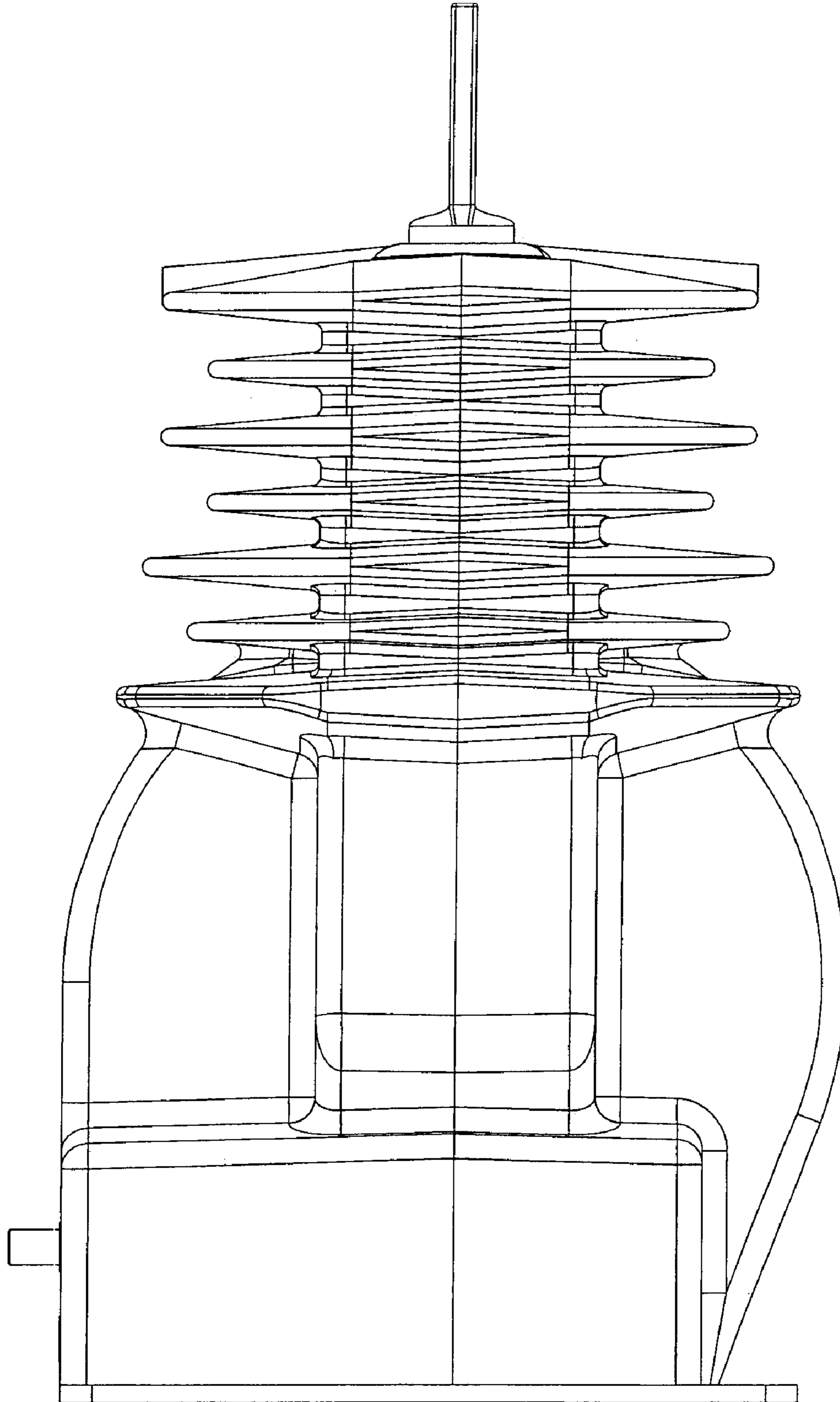


Fig. 6

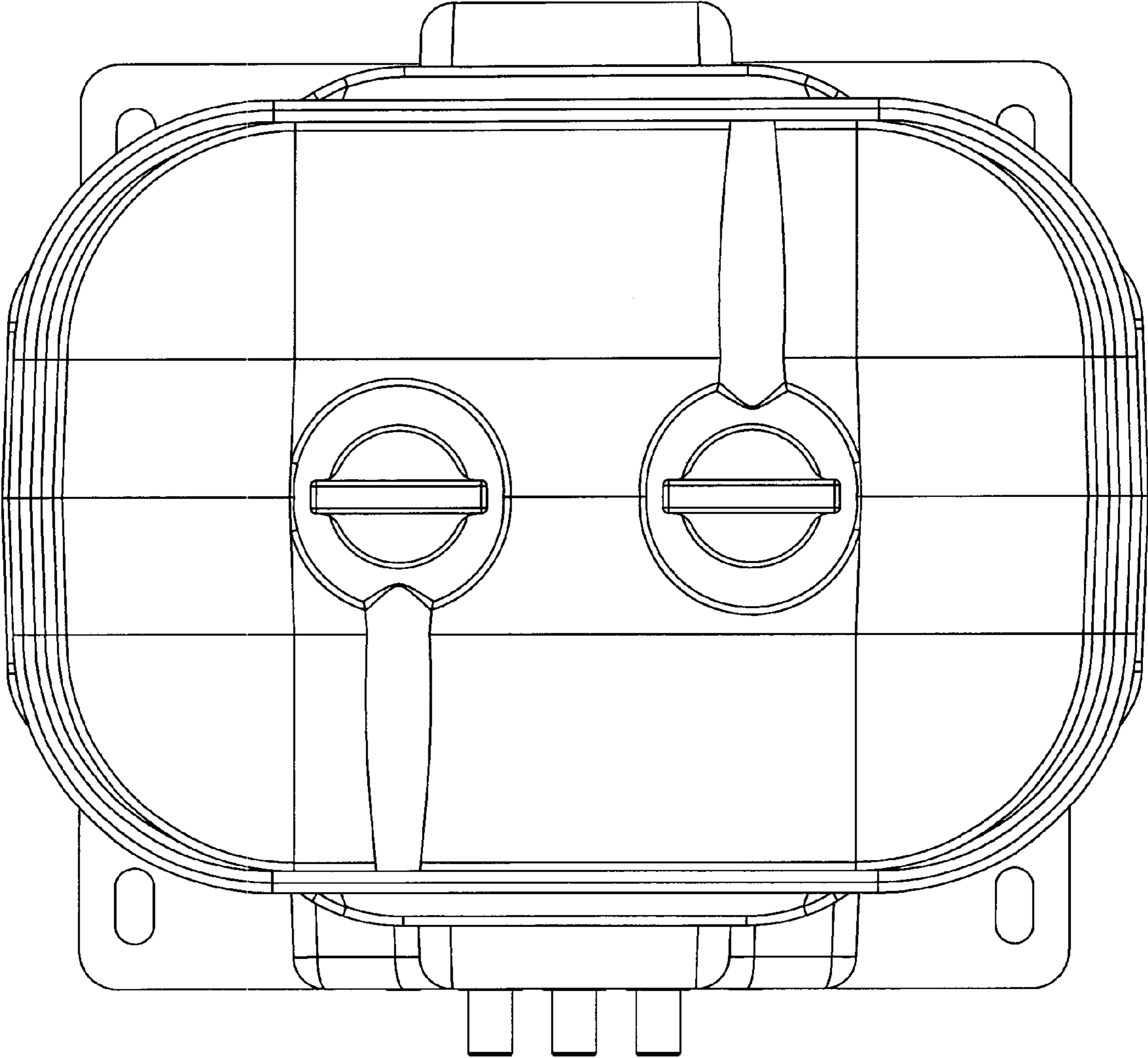


Fig. 7

