



US00D526272S

(12) **United States Design Patent**  
**Säde et al.**

(10) **Patent No.:** **US D526,272 S**  
(45) **Date of Patent:** **\*\* Aug. 8, 2006**

(54) **TRAVEL CHARGER**

(75) Inventors: **Heli Säde**, Salo (FI); **Tapani Jokinen**,  
Piispanristi (FI)

(73) Assignee: **Nokia Corporation**, Espoo (FI)

(\*\*) Term: **14 Years**

(21) Appl. No.: **29/199,638**

(22) Filed: **Feb. 19, 2004**

(30) **Foreign Application Priority Data**

Aug. 22, 2003 (FI) ..... M20030203

(51) **LOC (8) Cl.** ..... **13-02**

(52) **U.S. Cl.** ..... **D13/108**

(58) **Field of Classification Search** ..... D13/107-110,  
D13/118-119, 184; D14/251, 253, 432, 434;  
320/107-115

See application file for complete search history.

(56) **References Cited**

**U.S. PATENT DOCUMENTS**

|              |    |   |         |                     |       |         |
|--------------|----|---|---------|---------------------|-------|---------|
| D406,259     | S  | * | 3/1999  | Lindahl             | ..... | D13/110 |
| 5,923,146    | A  | * | 7/1999  | Martensson          | ..... | 320/111 |
| 5,923,147    | A  | * | 7/1999  | Martensson          | ..... | 320/111 |
| D425,480     | S  | * | 5/2000  | Jokinen             | ..... | D13/107 |
| D431,020     | S  | * | 9/2000  | Harjunpaa et al.    | ..... | D13/107 |
| D446,185     | S  | * | 8/2001  | Saastamoinen et al. | ....  | D13/108 |
| 6,320,353    | B1 | * | 11/2001 | Chiu et al.         | ..... | 320/111 |
| D456,008     | S  | * | 4/2002  | Kawanobe et al.     | ..... | D13/110 |
| D474,739     | S  | * | 5/2003  | Chang               | ..... | D13/110 |
| 6,664,758    | B1 | * | 12/2003 | Yang                | ..... | 320/107 |
| 6,938,867    | B1 | * | 9/2005  | Dirks               | ..... | 248/314 |
| 6,960,727    | B1 | * | 11/2005 | Hering              | ..... | 174/135 |
| 2005/0269987 | A1 | * | 12/2005 | Lin                 | ..... | 320/115 |

**FOREIGN PATENT DOCUMENTS**

|    |           |         |
|----|-----------|---------|
| FI | M19990223 | 12/1999 |
| FI | M19990224 | 12/1999 |
| FI | M19990225 | 12/1999 |
| FI | M19990226 | 12/1999 |

\* cited by examiner

*Primary Examiner*—Alan P. Douglas

*Assistant Examiner*—Rosemary K. Tarcza

(74) *Attorney, Agent, or Firm*—Banner & Witcoff, Ltd.

(57) **CLAIM**

The ornamental design for a travel charger, as shown and described.

**DESCRIPTION**

FIG. 1 is a bottom plan view of a travel charger showing our new design;

FIG. 2 is a right side view thereof;

FIG. 3 is a front view thereof;

FIG. 4 is a left side view thereof;

FIG. 5 is a top plan view thereof;

FIG. 6 is a rear view thereof;

FIG. 7 is a perspective front view thereof;

FIG. 8 is a perspective rear view thereof;

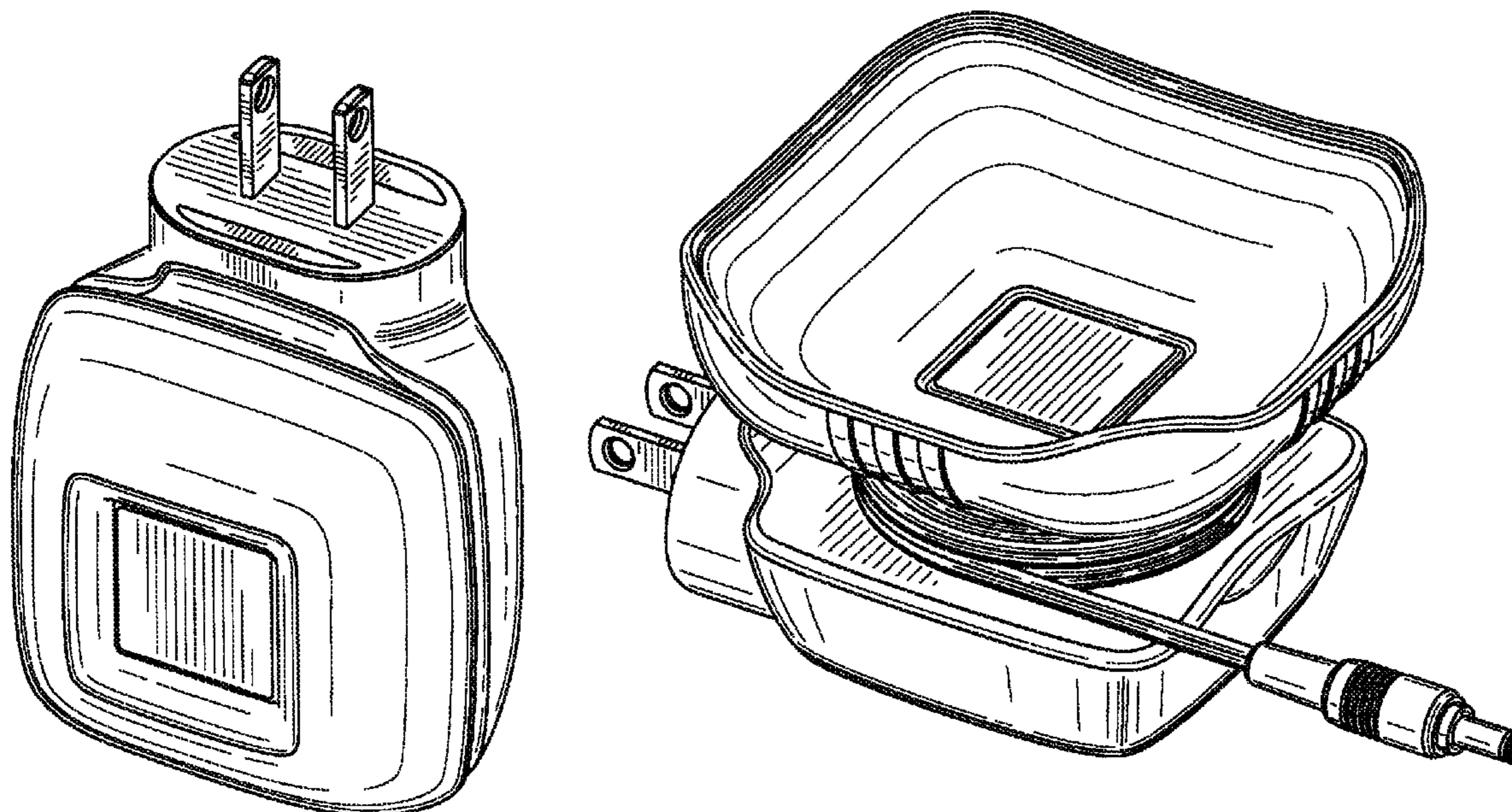
FIG. 9 is a perspective front view thereof with an element shown in an alternative position and a cord assembly in a first extended position;

FIG. 10 is a left side view thereof; and,

FIG. 11 is a right side view thereof with the cord assembly in a second extended position.

The broken line showing of an indeterminate cord length in FIG. 11 is for illustrative purposes only and forms no part of the claimed design.

**1 Claim, 6 Drawing Sheets**



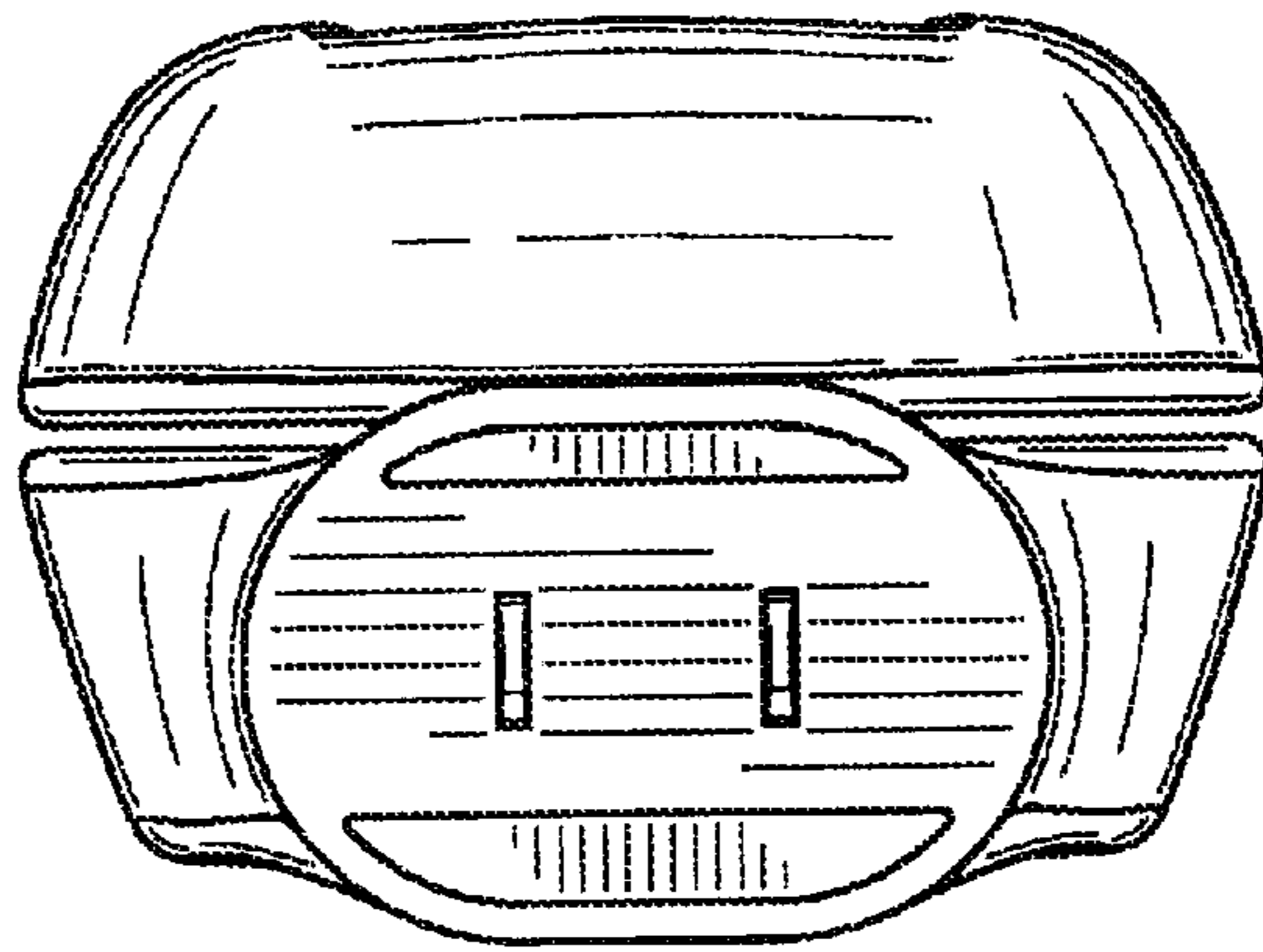


FIG. 1

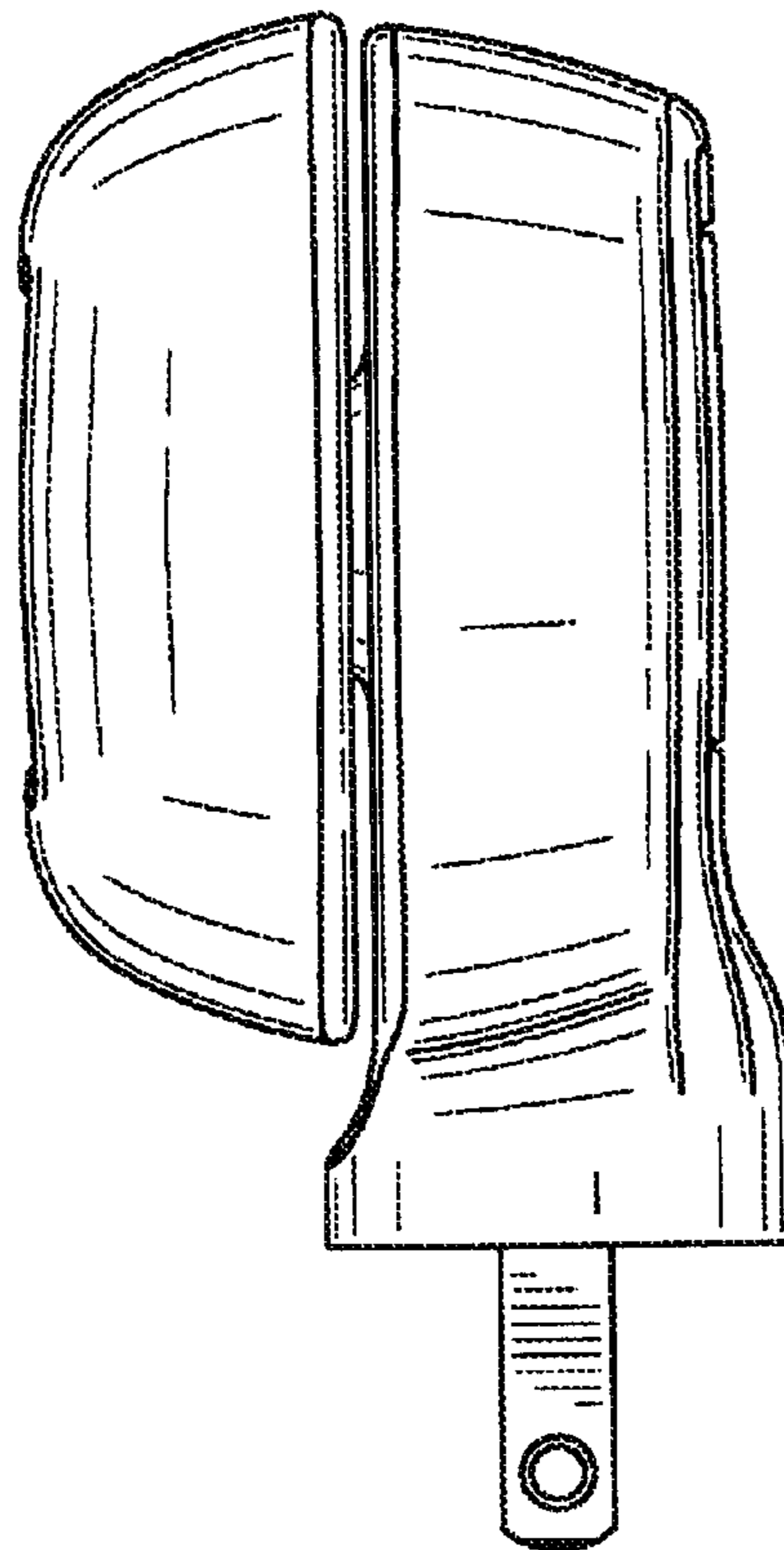


FIG. 2

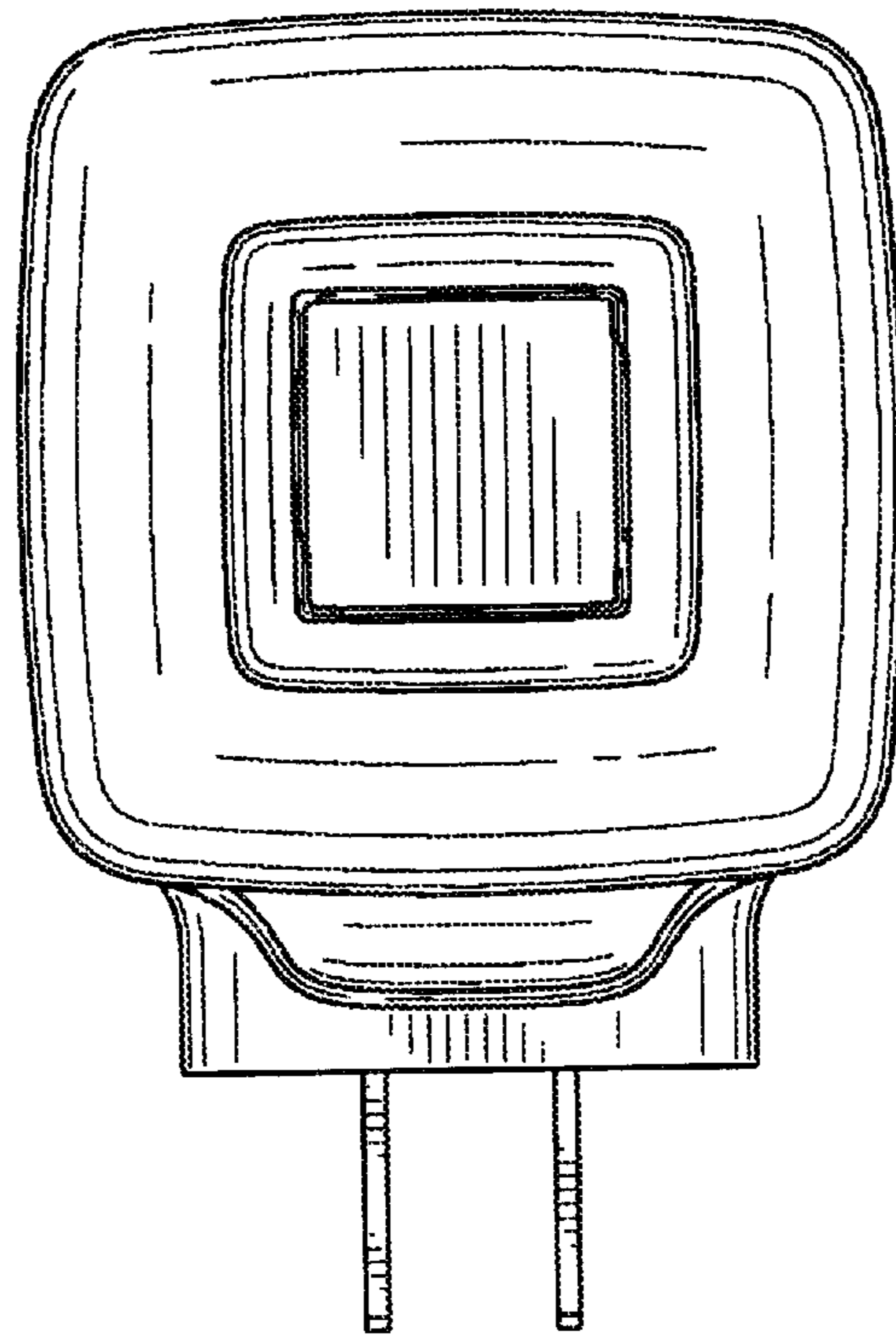


FIG. 3

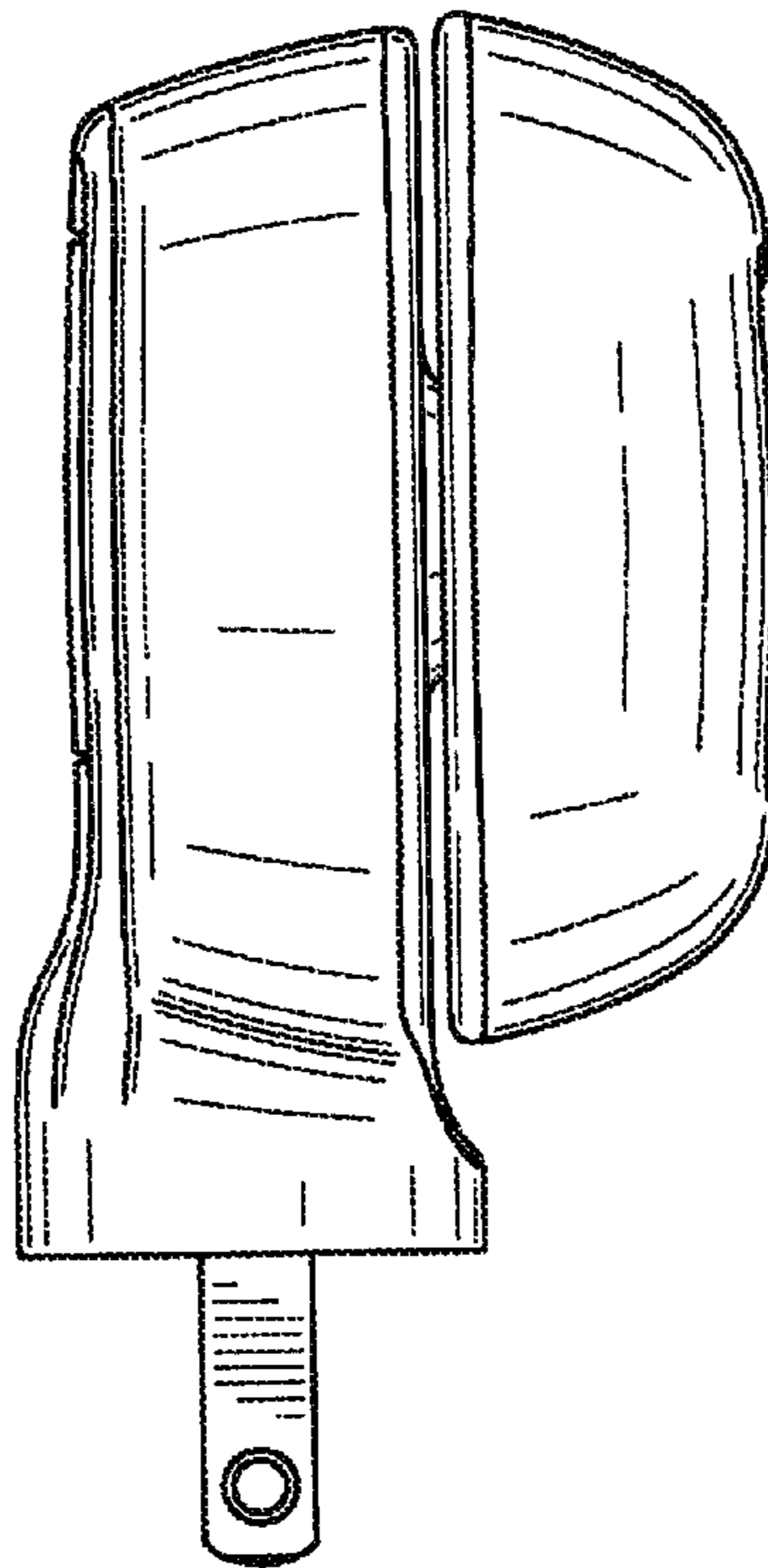


FIG. 4

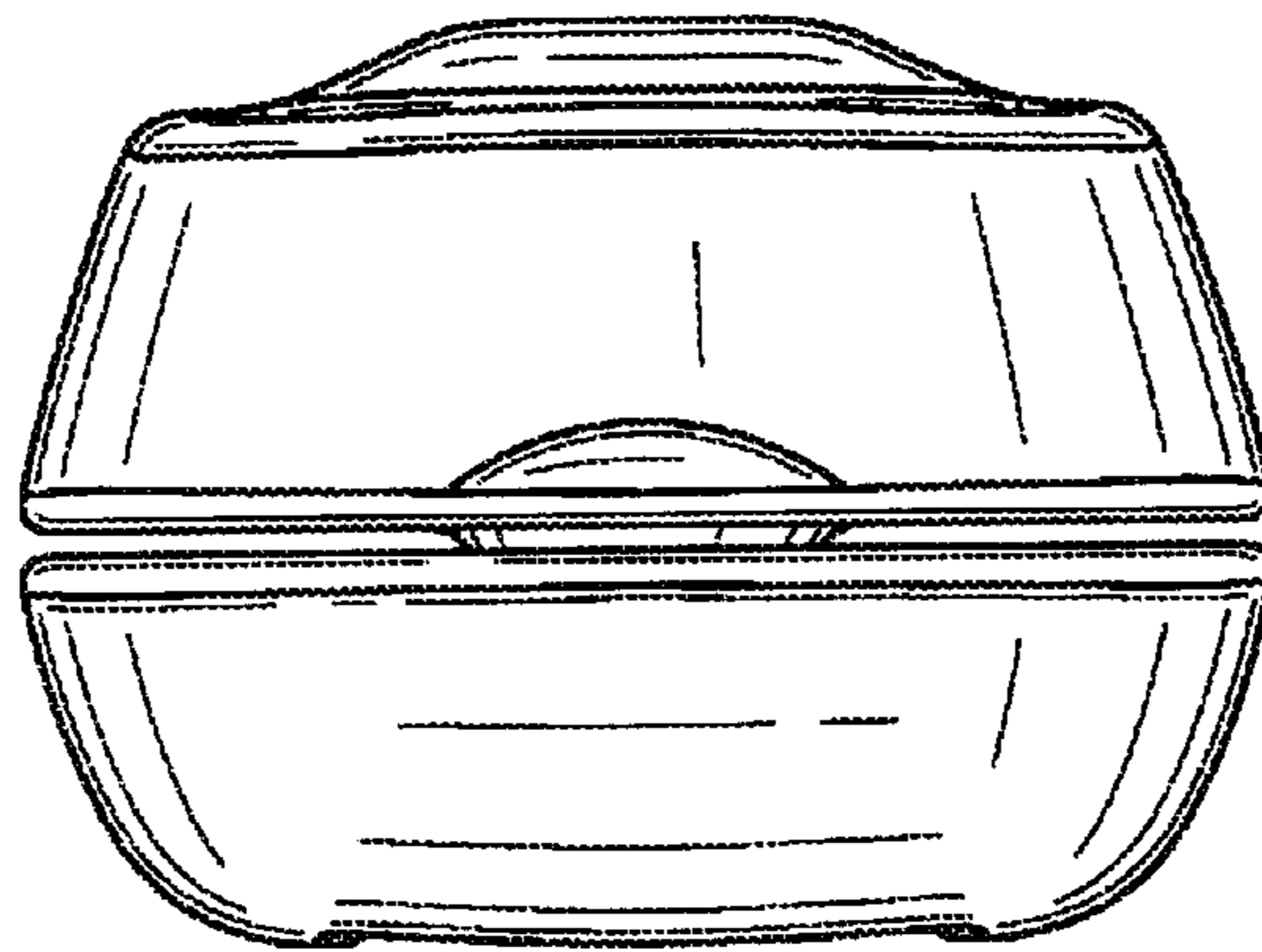


FIG. 5

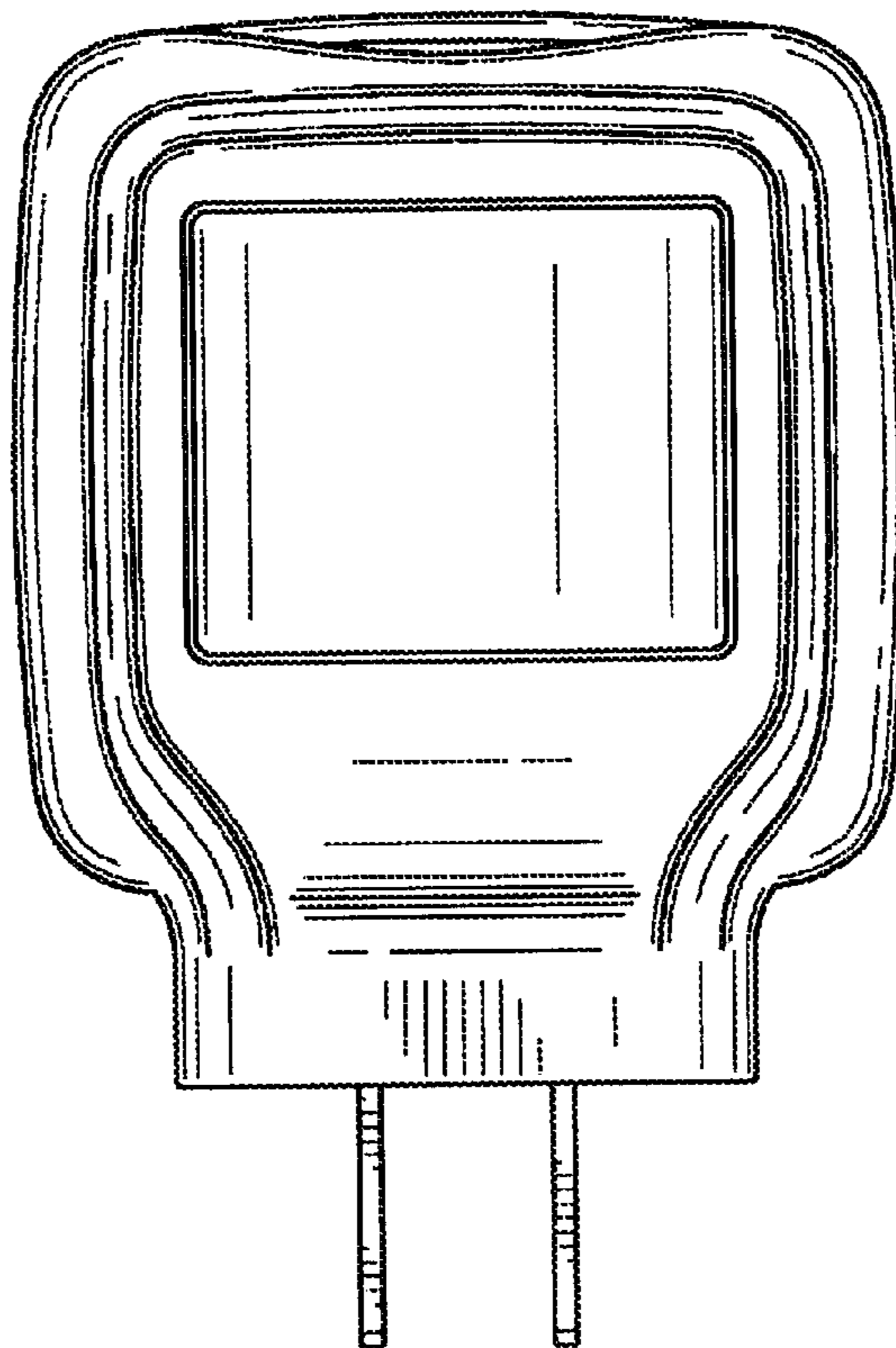


FIG. 6

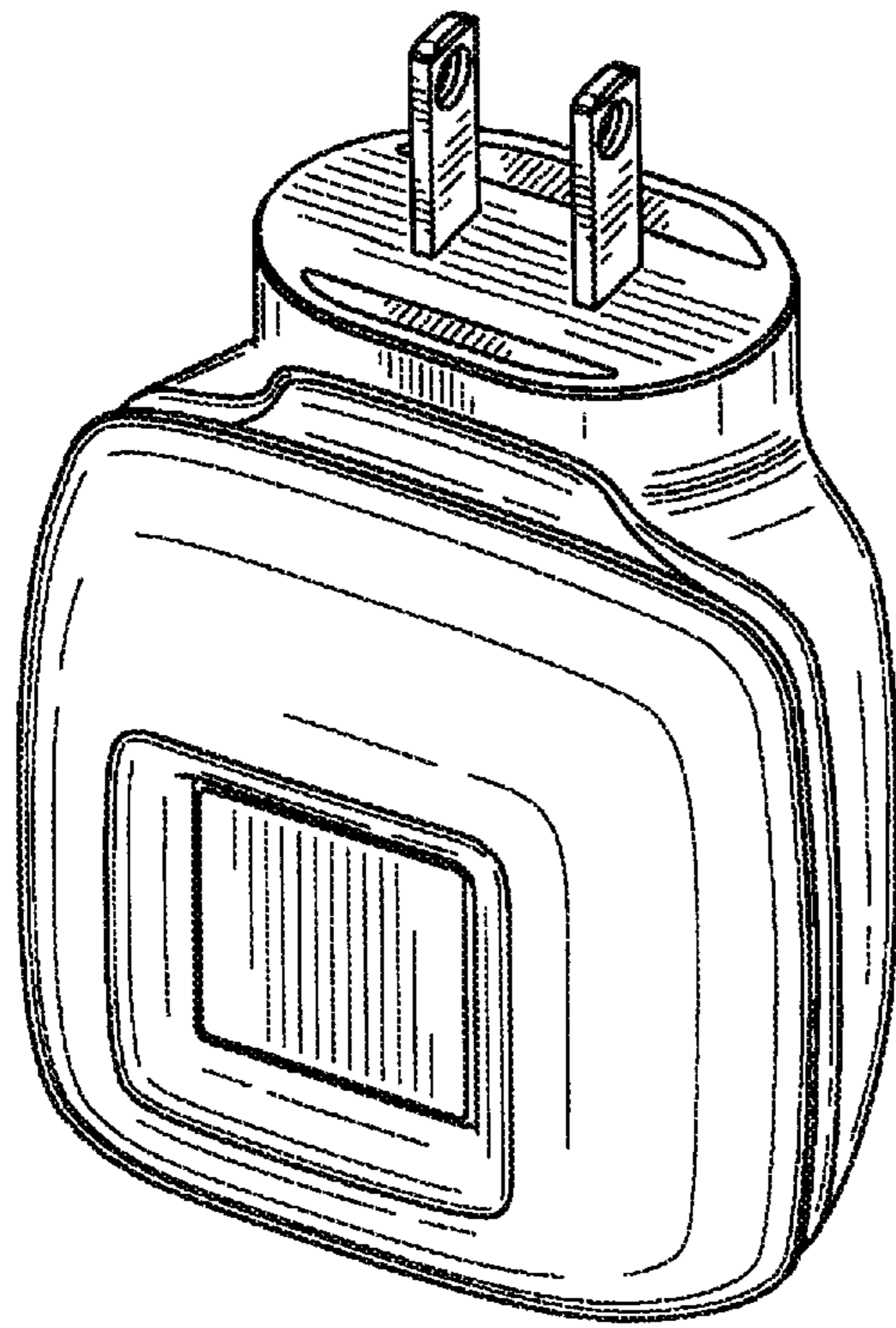


FIG. 7

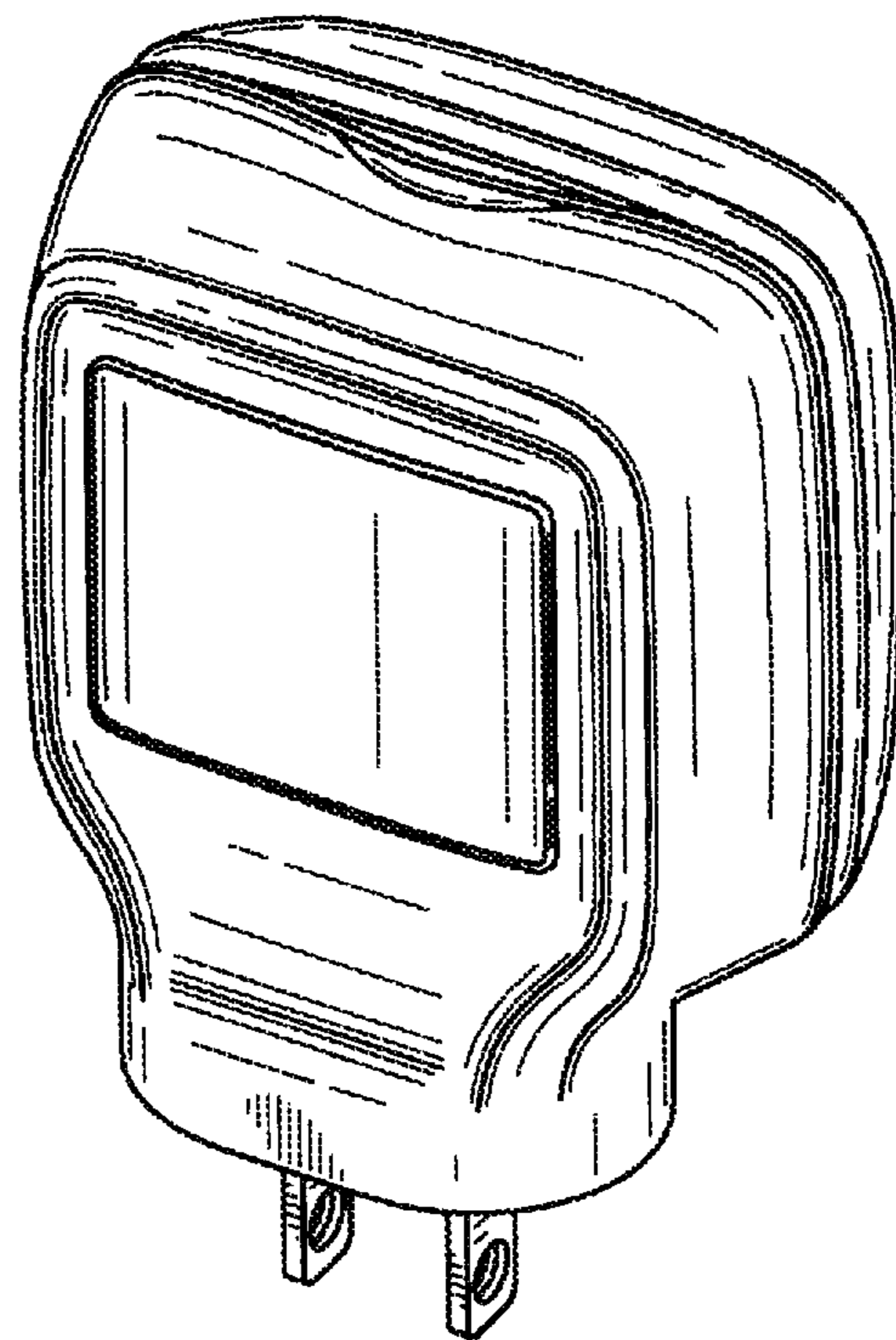


FIG. 8

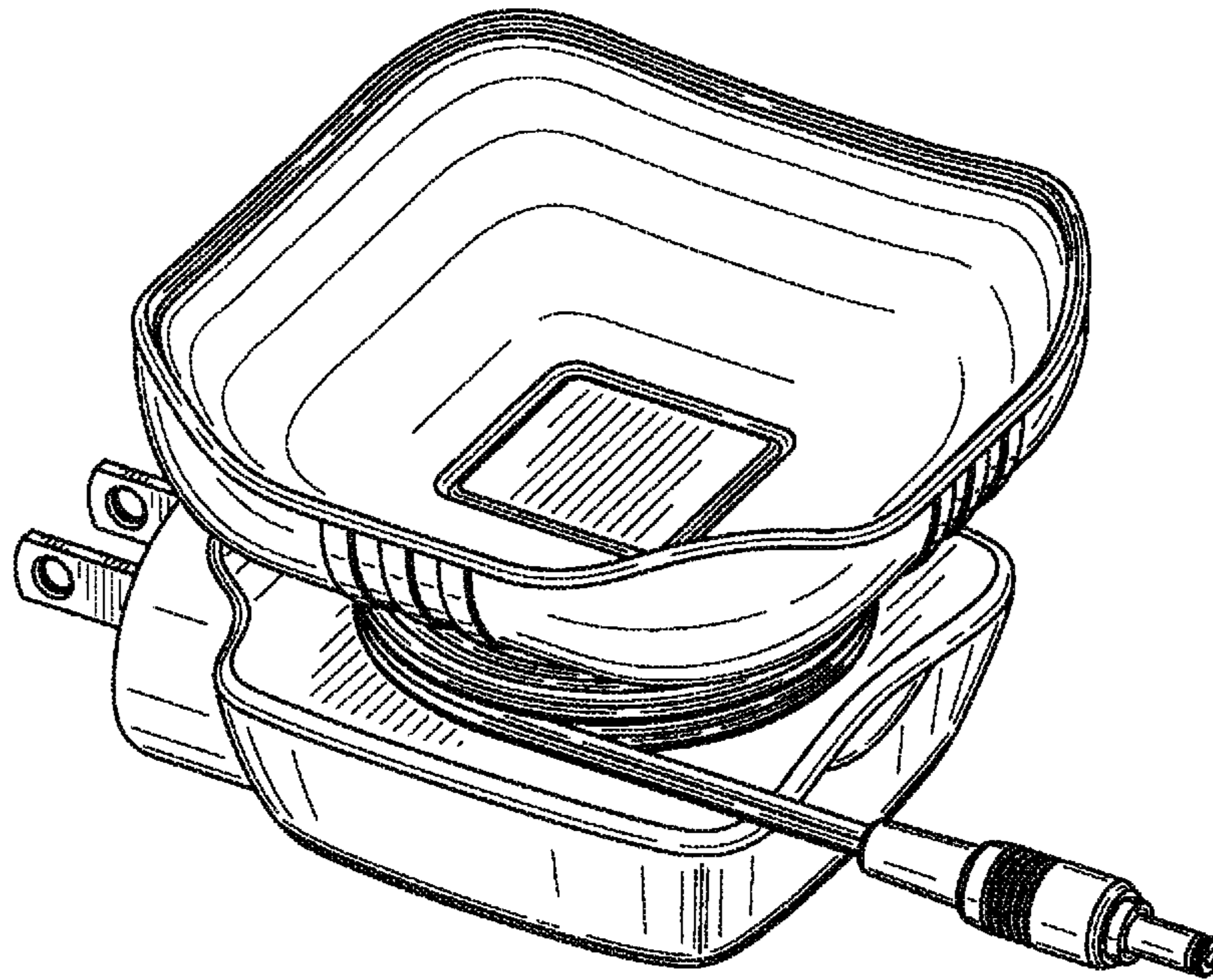


FIG. 9

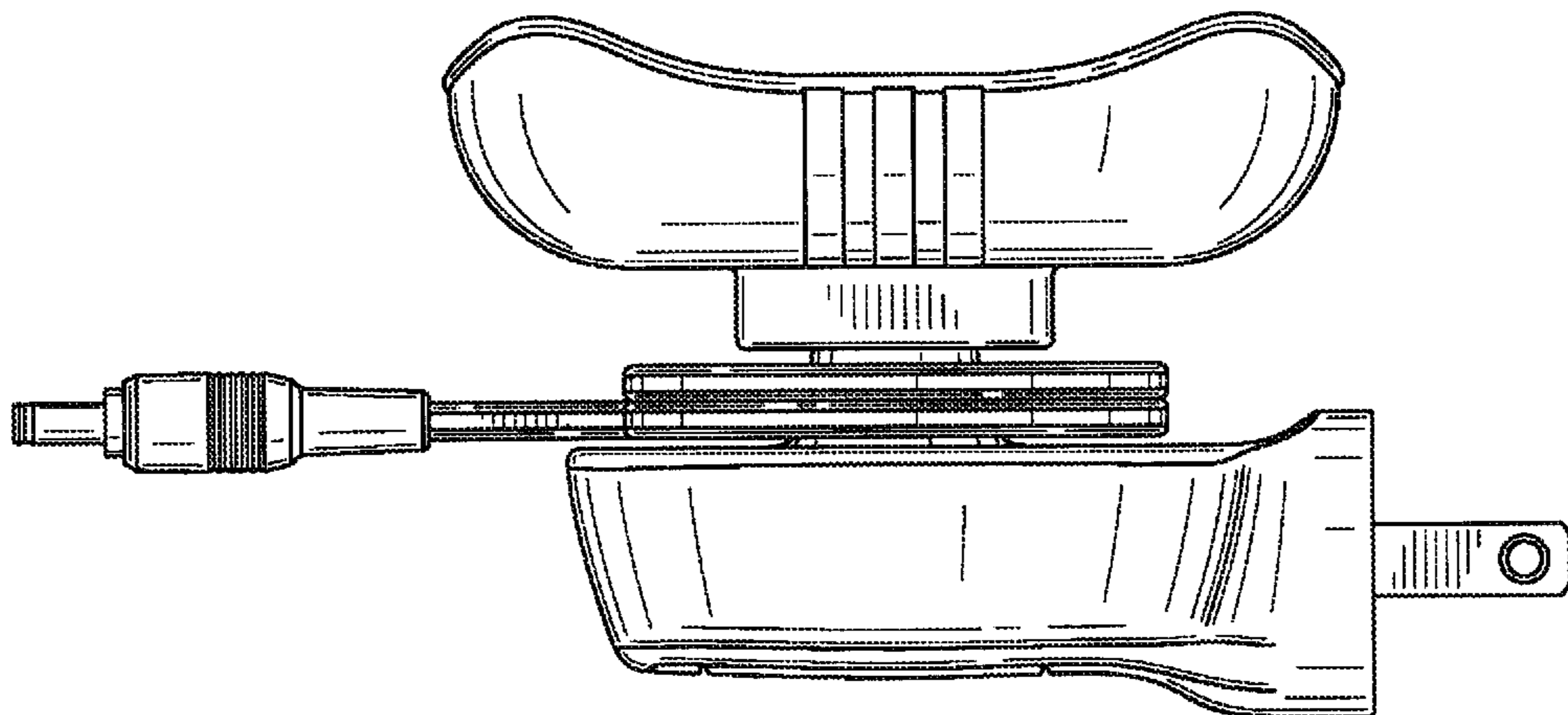


FIG. 10

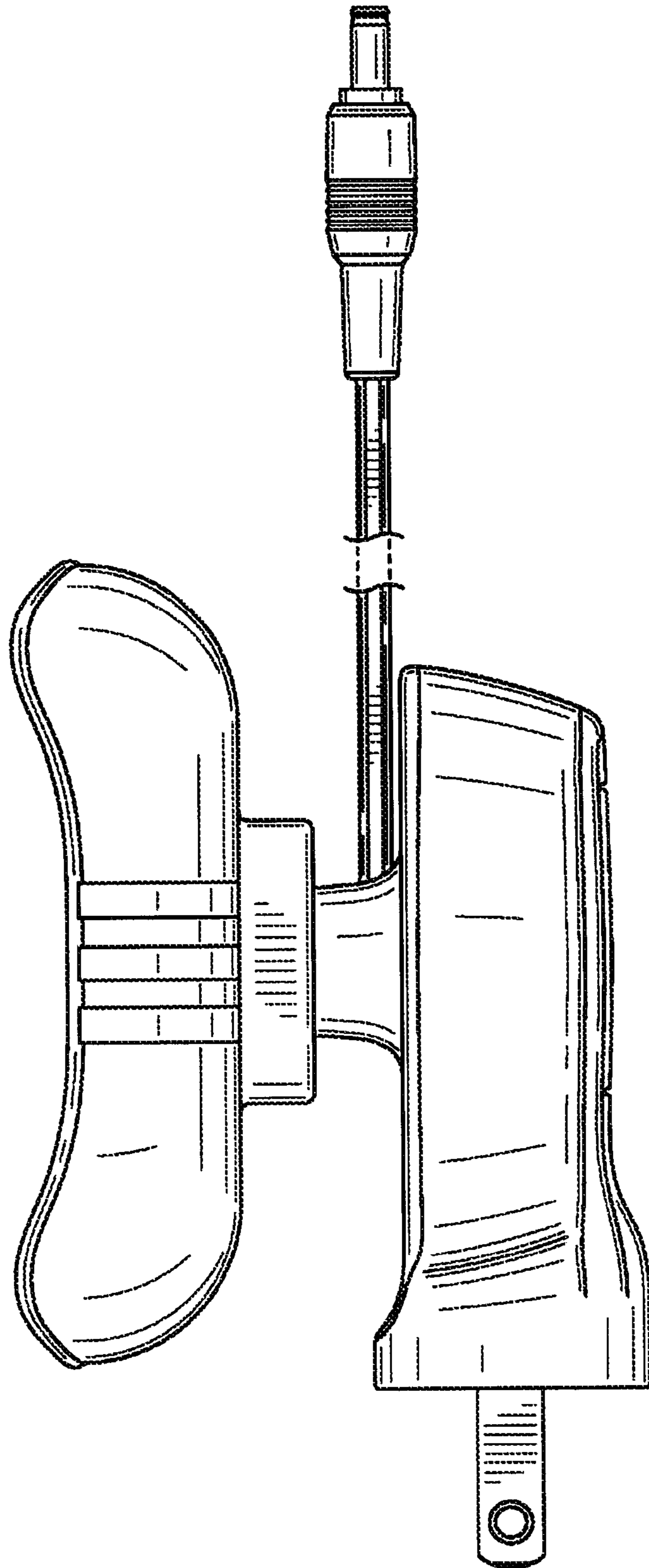


FIG. 11