



US00D526264S

(12) **United States Design Patent**
Marji

(10) **Patent No.:** **US D526,264 S**

(45) **Date of Patent:** **** Aug. 8, 2006**

(54) **WHEEL**

(75) Inventor: **Rondy Marji**, Yonkers, NY (US)

(73) Assignee: **Zyoxx Way Inc.**

(**) Term: **14 Years**

(21) Appl. No.: **29/245,586**

(22) Filed: **Dec. 27, 2005**

(51) **LOC (8) Cl.** **12-16**

(52) **U.S. Cl.** **D12/209**

(58) **Field of Classification Search** D12/204-213;
301/37.101, 64.101, 65

See application file for complete search history.

(56) **References Cited**

U.S. PATENT DOCUMENTS

D431,514 S	*	10/2000	Cullen	D12/209
D460,037 S	*	7/2002	Takechi	D12/211
D477,262 S	*	7/2003	Koch	D12/209
D482,308 S	*	11/2003	Lee	D12/211

D486,437 S	*	2/2004	Hieke	D12/211
D489,309 S	*	5/2004	Laengerer	D12/211
D500,277 S	*	12/2004	Kataoka	D12/209
D507,517 S	*	7/2005	Kushartanto	D12/209
D515,490 S	*	2/2006	Pfeiffer	D12/209
D515,491 S	*	2/2006	Elmitt	D12/209

* cited by examiner

Primary Examiner—Stacia Cadmus

(74) *Attorney, Agent, or Firm*—John K. Park; Park Law Firm

(57) **CLAIM**

The ornamental design for a wheel, as shown and described.

DESCRIPTION

FIG. 1 is a perspective view of a wheel showing my new design; and,

FIG. 2 is a front elevational view of FIG. 1.

The broken line showing of environment is for illustrative purposes only and forms no part of the claimed design.

1 Claim, 2 Drawing Sheets

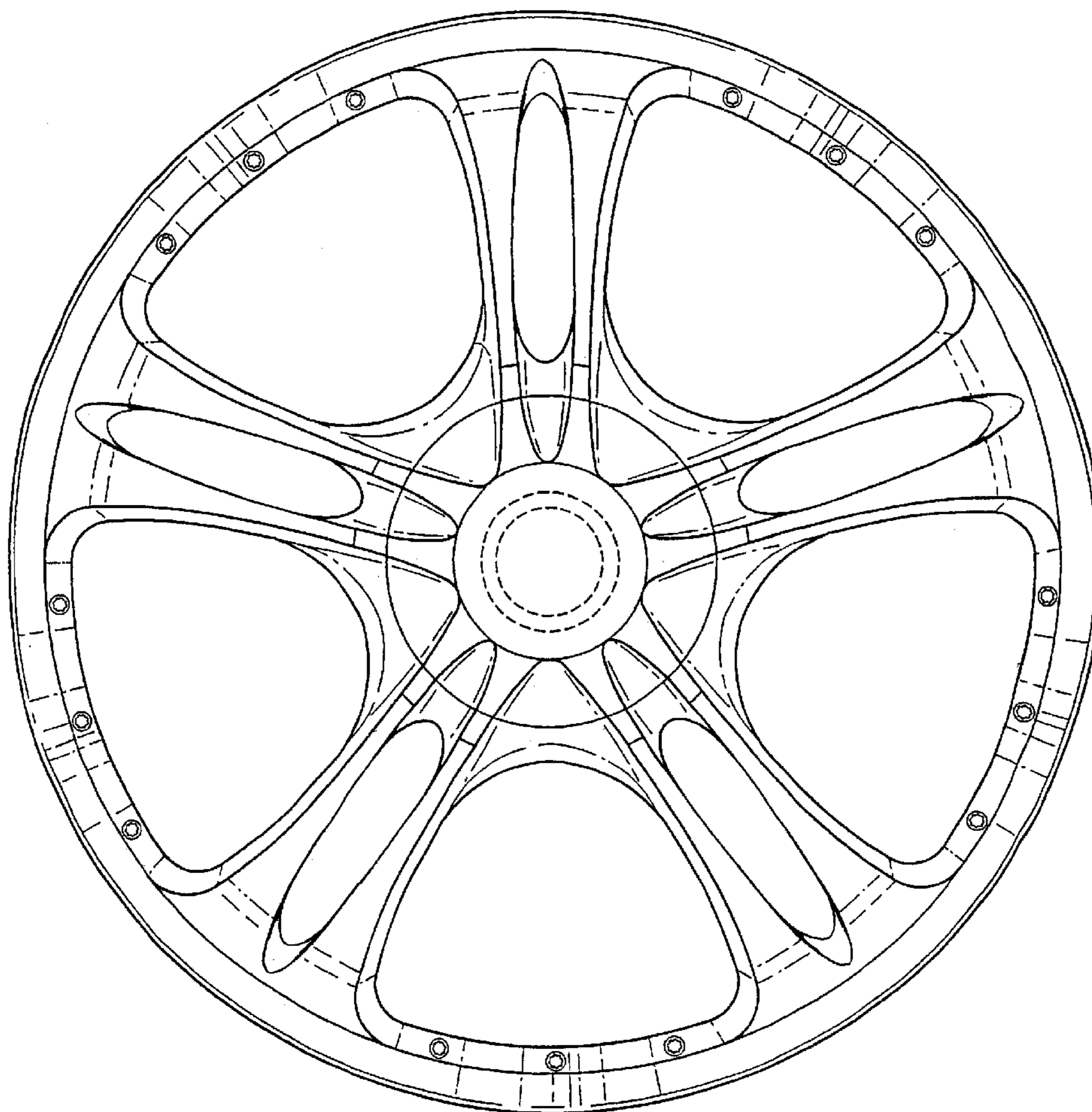


FIG. 1

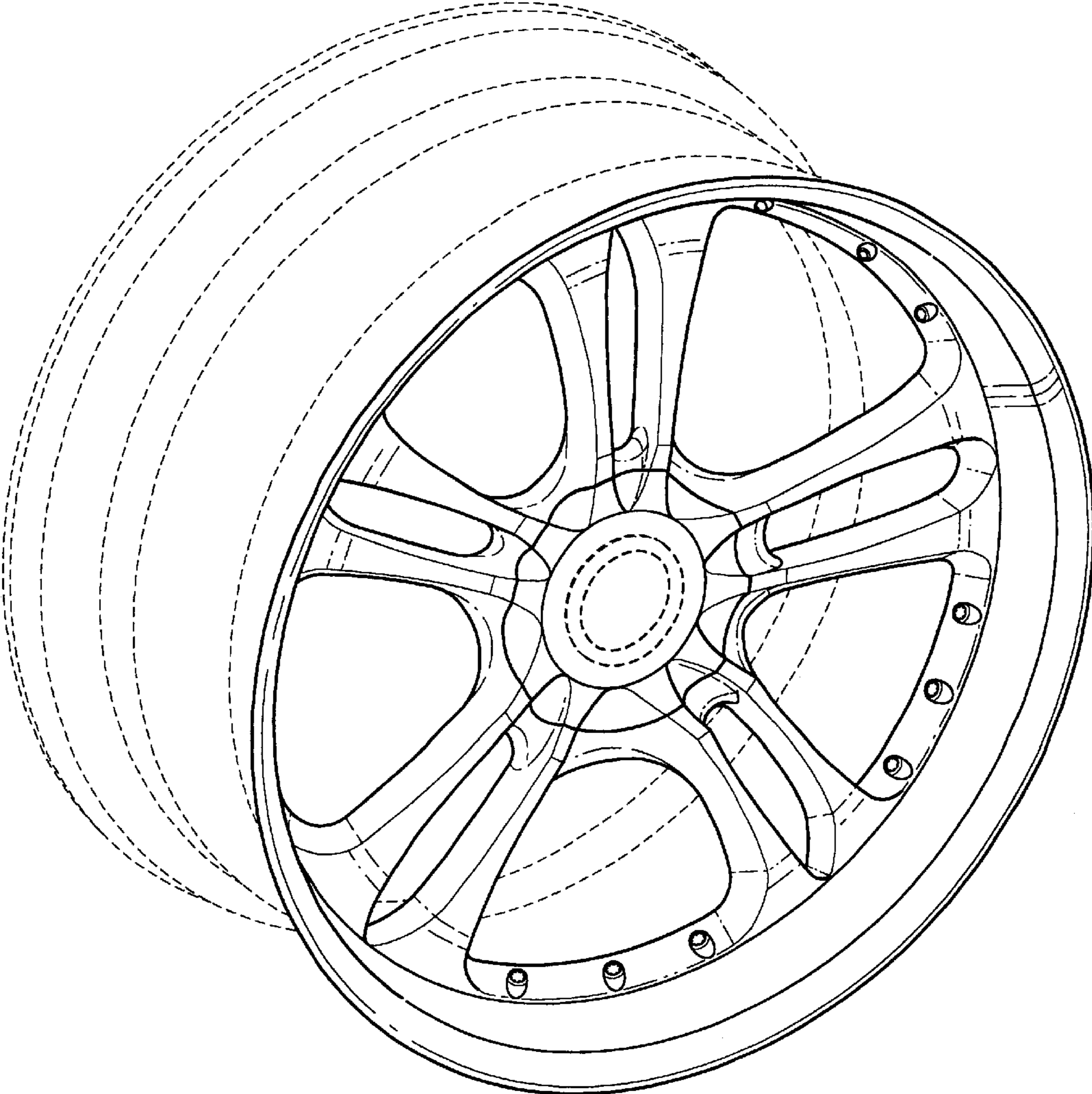


FIG. 2

