



US00D526263S

(12) **United States Design Patent**
Brown

(10) **Patent No.:** **US D526,263 S**

(45) **Date of Patent:** **** Aug. 8, 2006**

(54) **FRONT FACE OF A VEHICLE WHEEL**

(75) Inventor: **Roger Brown**, Corona, CA (US)

(73) Assignee: **Honda Motor Co., Ltd.**, Tokyo (JP)

(**) Term: **14 Years**

(21) Appl. No.: **29/235,919**

(22) Filed: **Aug. 8, 2005**

(51) **LOC (8) Cl.** **12-16**

(52) **U.S. Cl.** **D12/209**

(58) **Field of Classification Search** D12/204-213;
301/37.101, 64.101, 65

See application file for complete search history.

(56) **References Cited**

U.S. PATENT DOCUMENTS

D84,320 S	*	6/1931	Beutke et al.	D12/209
D475,669 S	*	6/2003	Boyer	D12/209
D480,672 S	*	10/2003	Pfeiffer et al.	D12/209
D487,569 S	*	3/2004	Laengerer	D12/211
D491,123 S	*	6/2004	Lai	D12/209
D494,120 S	*	8/2004	Pfeiffer	D12/209

D499,681 S	*	12/2004	Boyer	D12/209
D504,383 S	*	4/2005	Pfeiffer	D12/211
D504,647 S	*	5/2005	Leclercq	D12/209
D506,718 S	*	6/2005	Szavits	D12/209
D507,224 S	*	7/2005	Pfeiffer	D12/211
D507,775 S	*	7/2005	Pfeiffer	D12/211
D513,489 S	*	1/2006	Momokawa	D12/211

* cited by examiner

Primary Examiner—Stacia Cadmus

(74) *Attorney, Agent, or Firm*—Plumsea Law Group, LLC

(57) **CLAIM**

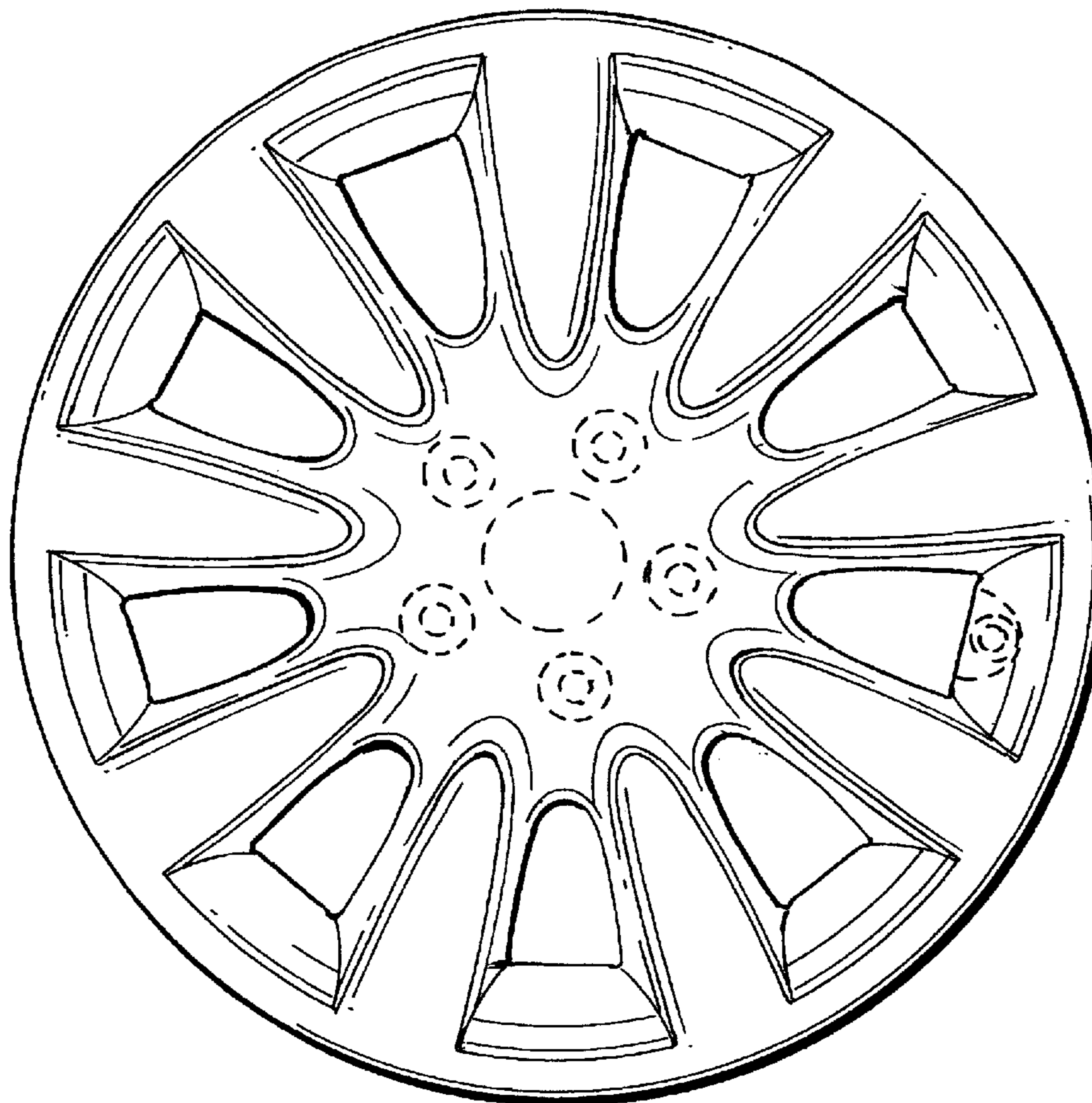
The ornamental design for a front face of a vehicle wheel, as shown and described.

DESCRIPTION

FIG. 1 is an elevational view of a front face of a vehicle wheel showing my new design; and, FIG. 2 is a perspective view thereof.

The broken line showings of the hub, lug nut circles and valve stem are for illustrative purposes only and form no part of the claimed design.

1 Claim, 1 Drawing Sheet



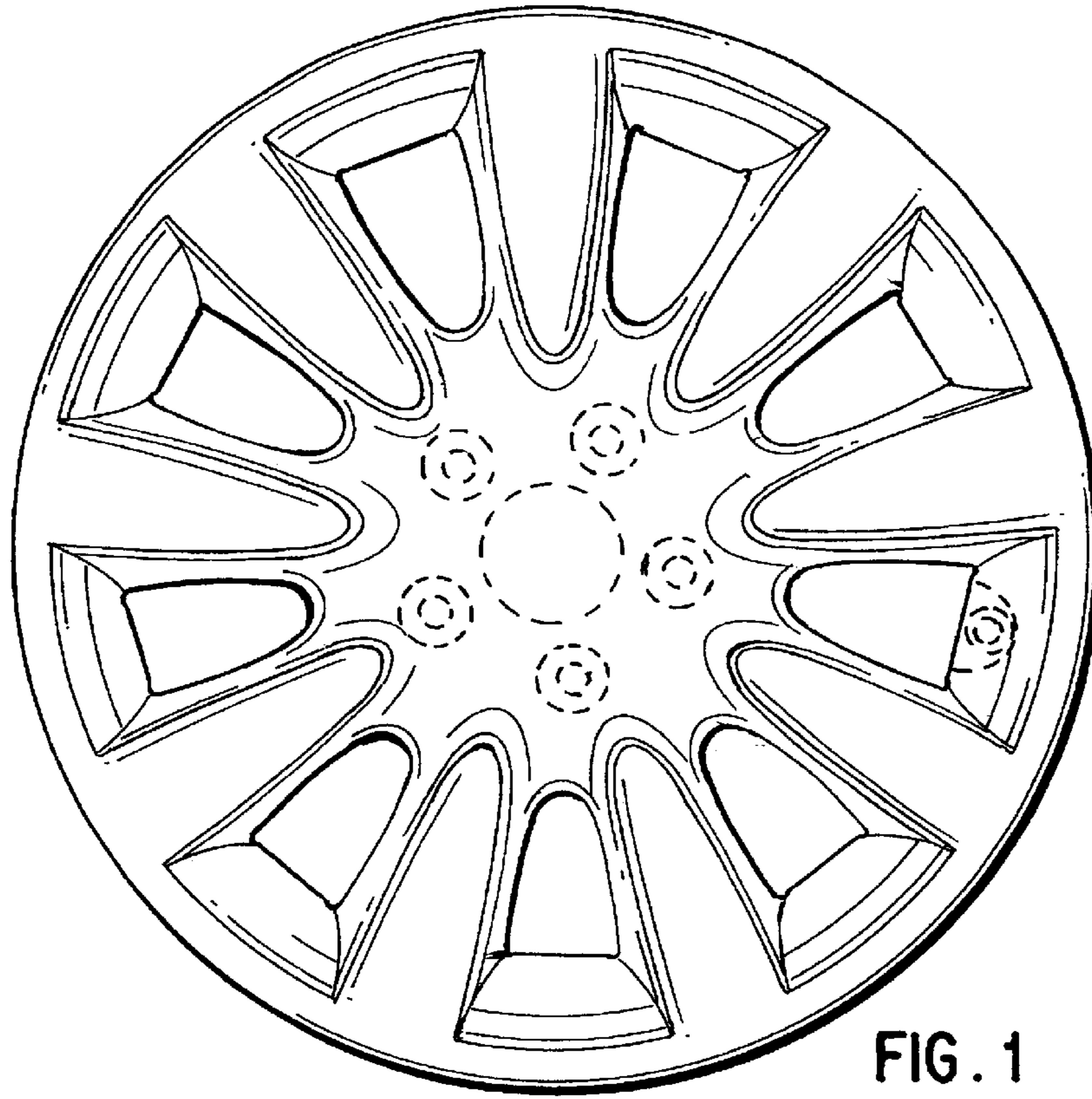


FIG. 1

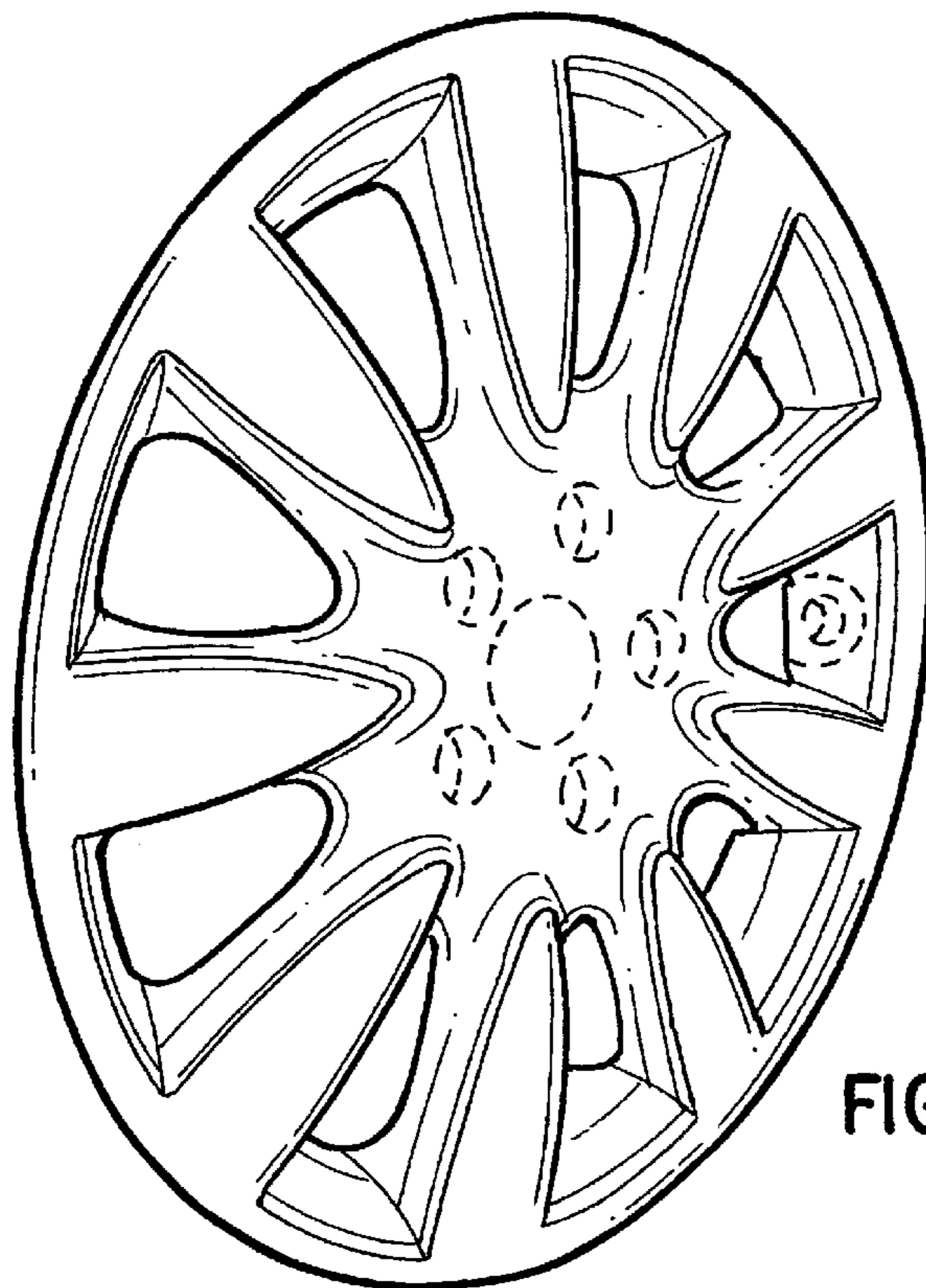


FIG. 2