

US00D526262S

(12) **United States Design Patent**
Guevara

(10) **Patent No.:** **US D526,262 S**

(45) **Date of Patent:** **** Aug. 8, 2006**

(54) **FIVE SPOKE ALLOY WHEEL**

(76) Inventor: **Ricardo Guevara**, 121 Express St.,
Plainview, NY (US) 11803

(**) Term: **14 Years**

(21) Appl. No.: **29/226,024**

(22) Filed: **Mar. 23, 2005**

(51) **LOC (8) Cl.** **12-16**

(52) **U.S. Cl.** **D12/209**

(58) **Field of Classification Search** D12/204-213;
301/37.101, 64.101, 65

See application file for complete search history.

(56) **References Cited**

U.S. PATENT DOCUMENTS

| | | | | | |
|------------|---|---------|-----------|-------|---------|
| D379,612 S | * | 6/1997 | Honarkhah | | D12/209 |
| D413,851 S | * | 9/1999 | Donikoglu | | D12/209 |
| D420,637 S | * | 2/2000 | Glade | | D12/209 |
| D427,555 S | * | 7/2000 | Hall | | D12/209 |
| D431,514 S | * | 10/2000 | Cullen | | D12/209 |
| D449,028 S | * | 10/2001 | Weidhase | | D12/209 |
| D454,105 S | * | 3/2002 | Pfeiffer | | D12/209 |
| D458,571 S | * | 6/2002 | Maifrini | | D12/209 |

| | | | | | |
|------------|---|---------|-----------------|-------|---------|
| D463,349 S | * | 9/2002 | Vian | | D12/209 |
| D480,343 S | * | 10/2003 | Oh | | D12/209 |
| D482,308 S | * | 11/2003 | Lee | | D12/211 |
| D485,223 S | * | 1/2004 | Pfeiffer et al. | | D12/209 |
| D486,437 S | * | 2/2004 | Hieke | | D12/211 |
| D487,418 S | * | 3/2004 | Hieke | | D12/211 |
| D504,098 S | * | 4/2005 | Gallert | | D12/209 |

* cited by examiner

Primary Examiner—Stacia Cadmus

(74) *Attorney, Agent, or Firm*—Collard & Roe, P.C.

(57) **CLAIM**

The ornamental design for a five spoke alloy wheel, as shown and described.

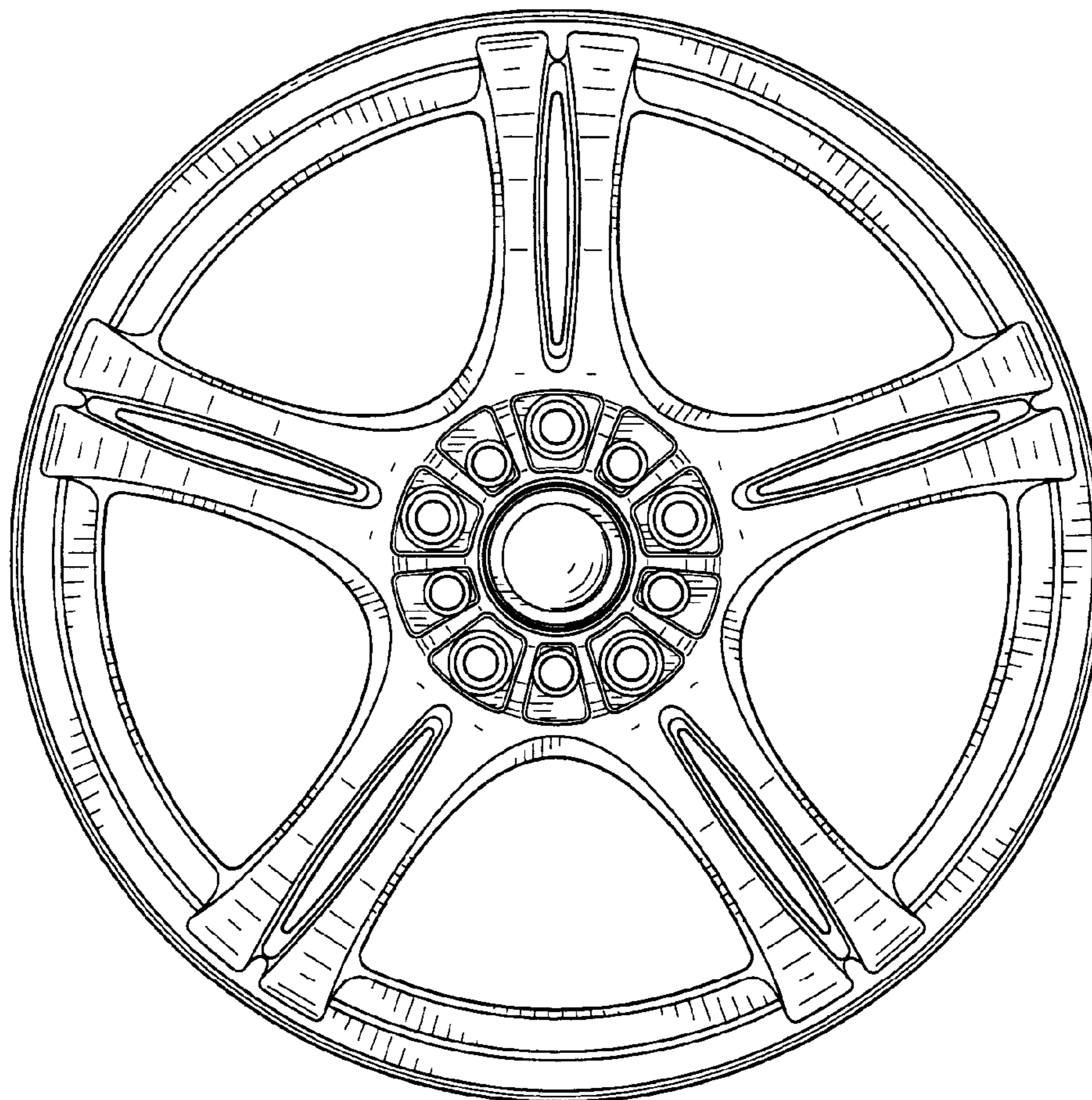
DESCRIPTION

FIG. 1 shows a front perspective view of a five spoke alloy wheel;

FIG. 2 shows a front-side view of a five spoke alloy wheel; and,

FIG. 3 shows a side view of a five spoke alloy wheel shown in FIGS. 1 and 2 with the opposite side being identical as the wheel is symmetrical.

1 Claim, 3 Drawing Sheets



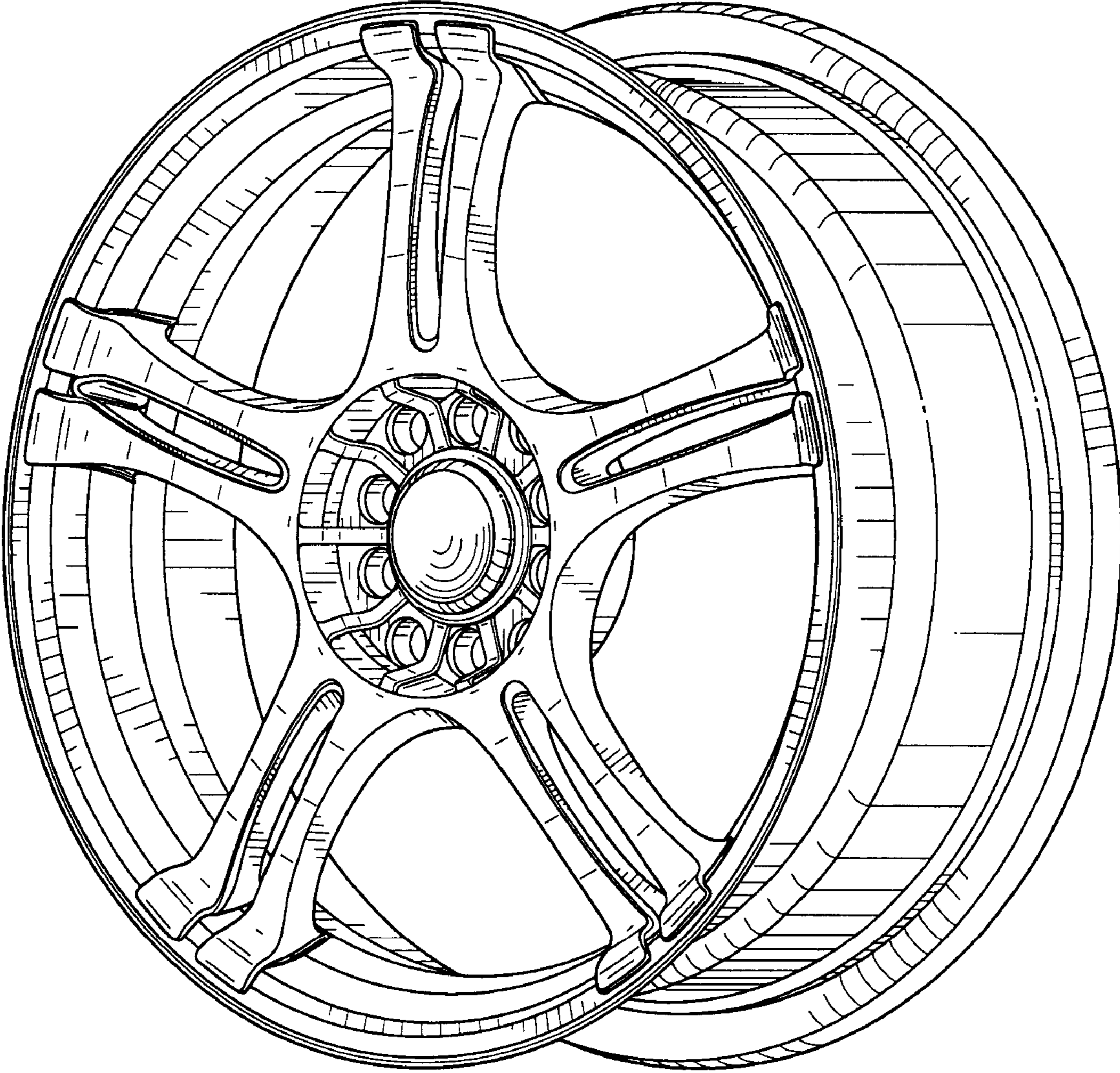


FIG. 1

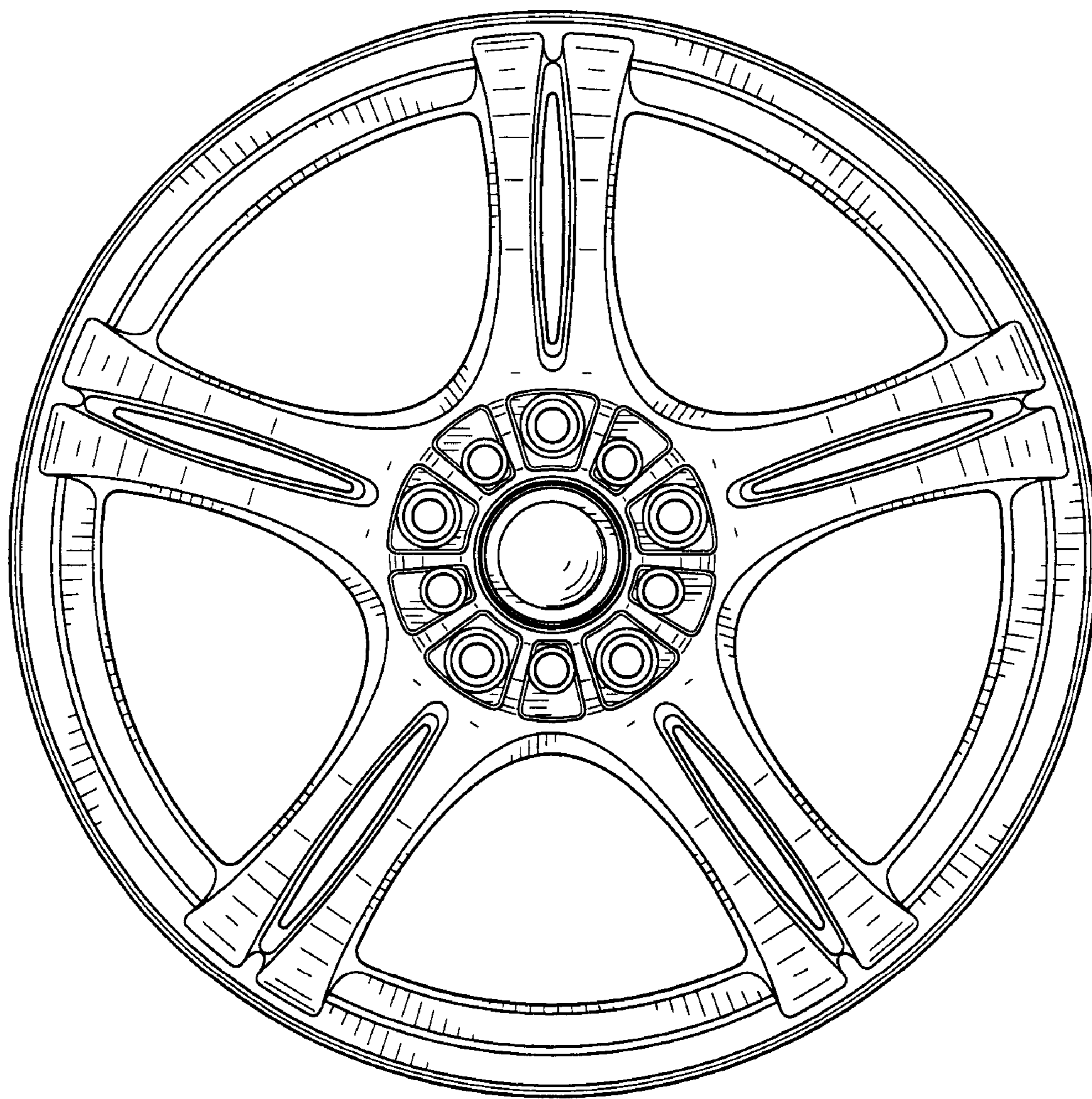


FIG. 2

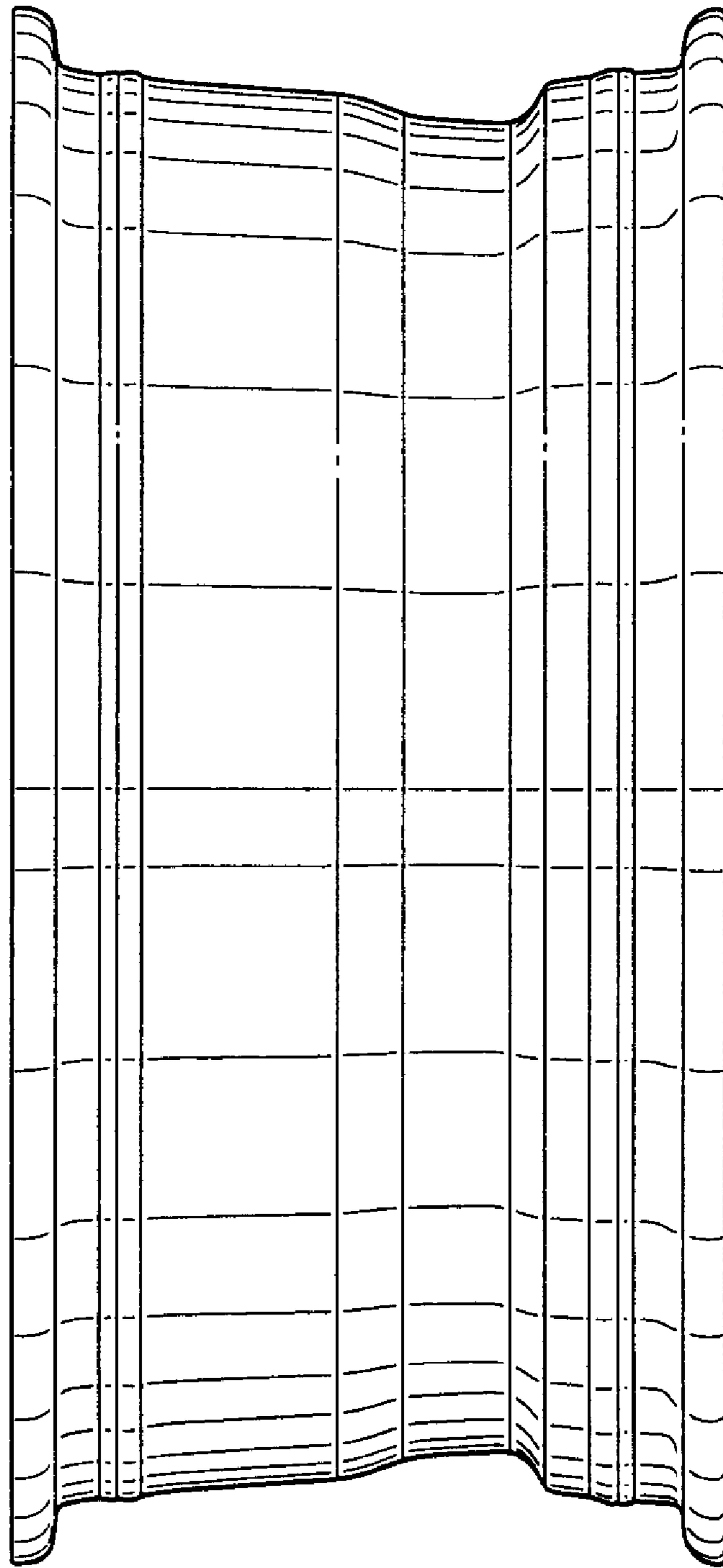


FIG. 3