

US00D526259S

(12) **United States Design Patent**
Votz

(10) **Patent No.:** **US D526,259 S**

(45) **Date of Patent:** **** Aug. 8, 2006**

(54) **AUTOMOTIVE SUN VISOR**

(76) Inventor: **Jacquelyn S. Votz**, 2153 S. Elms Rd.,
Waterford, MI (US) 48473

(**) Term: **14 Years**

(21) Appl. No.: **29/252,120**

(22) Filed: **Jan. 20, 2006**

(51) **LOC (8) Cl.** **12-16**

(52) **U.S. Cl.** **D12/191**

(58) **Field of Classification Search** D12/191,
D12/190, 417; 224/669-670, 311-312, 901;
296/97.1-97.13; 160/370.21-370.23, DIG. 3
See application file for complete search history.

(56) **References Cited**

U.S. PATENT DOCUMENTS

4,828,314	A	*	5/1989	Gavagan	296/97.8
D309,595	S	*	7/1990	Jonsås	D12/191
5,042,867	A	*	8/1991	Crotty et al.	296/97.8
D325,719	S	*	4/1992	Langlais	D12/191
D346,358	S	*	4/1994	Peterson	D12/191
5,316,361	A	*	5/1994	Miller	296/97.8

D378,206	S	*	2/1997	Kulla	D12/191
5,906,424	A	*	5/1999	Peterson	296/97.5
D420,360	S	*	2/2000	Amron	D12/191
6,059,347	A	*	5/2000	Davalos	296/97.6
D462,306	S	*	9/2002	Kifer	D12/191
6,578,895	B1	*	6/2003	Tom	296/97.1

* cited by examiner

Primary Examiner—Stacia Cadmus

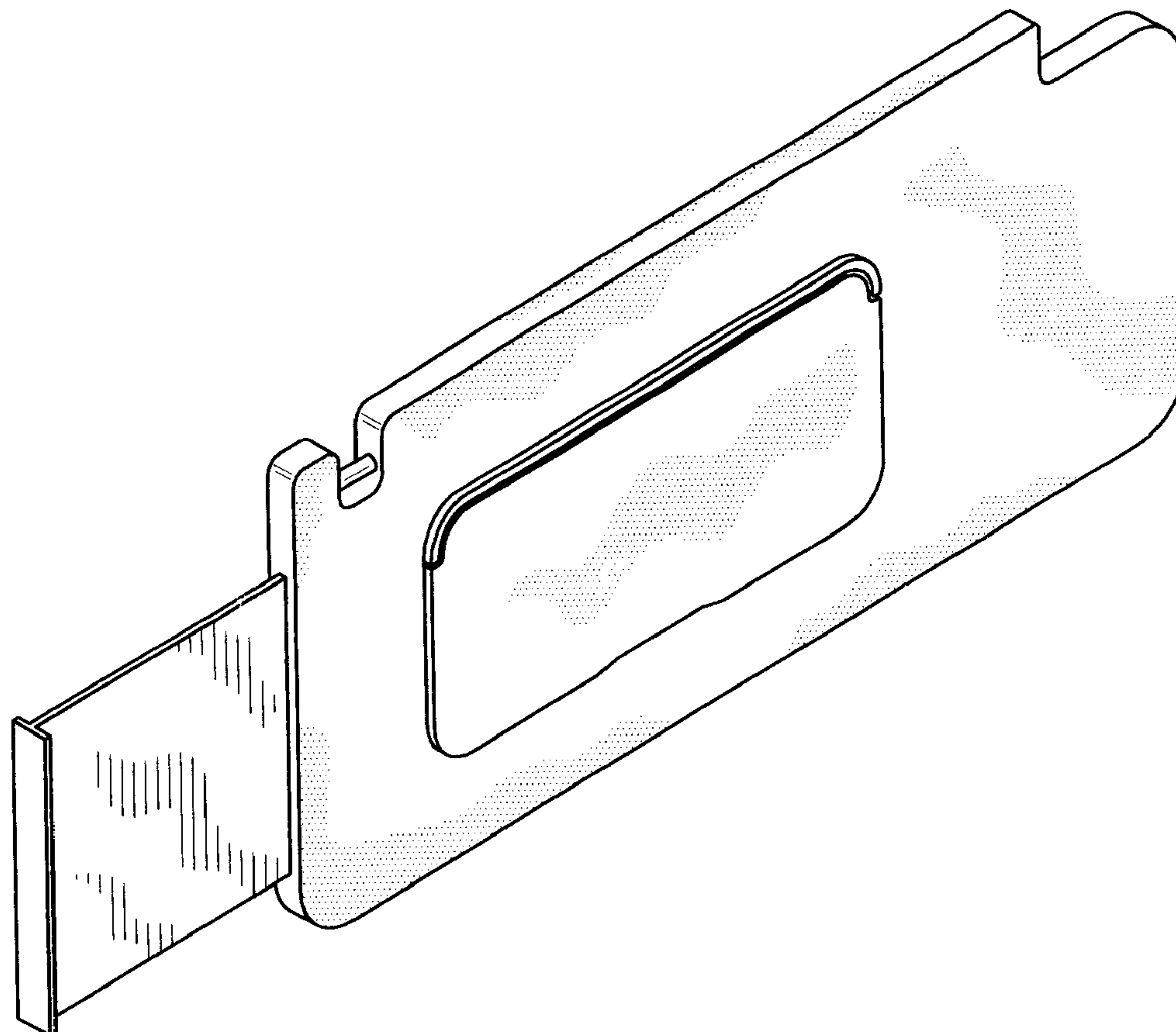
(57) **CLAIM**

The ornamental design for a automotive sun visor, as shown and described.

DESCRIPTION

FIG. 1 is a front elevation view of a automotive sun visor showing my new design;
FIG. 2 is a rear elevation view;
FIG. 3 is a right elevation view;
FIG. 4 is a left elevation view;
FIG. 5 is a top plan view;
FIG. 6 is a bottom plan view; and,
FIG. 7 is a right side isometric view of a automotive sun visor showing my new design.

1 Claim, 4 Drawing Sheets



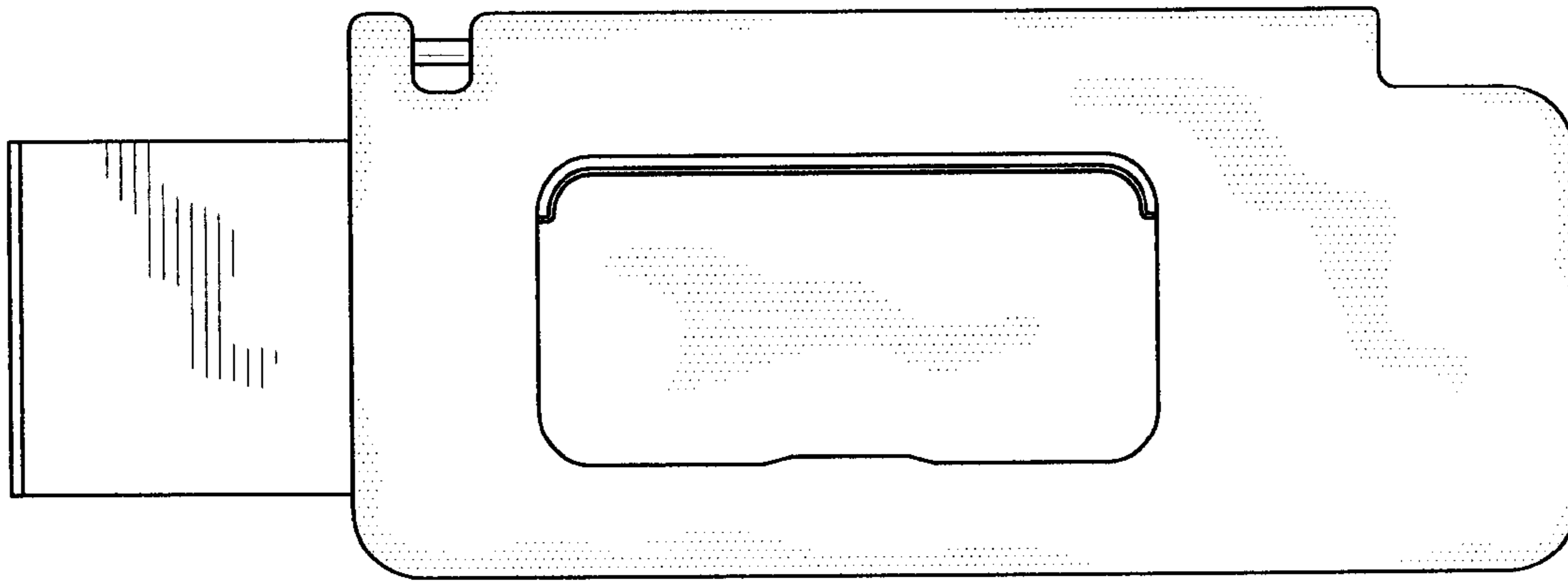


FIG.1

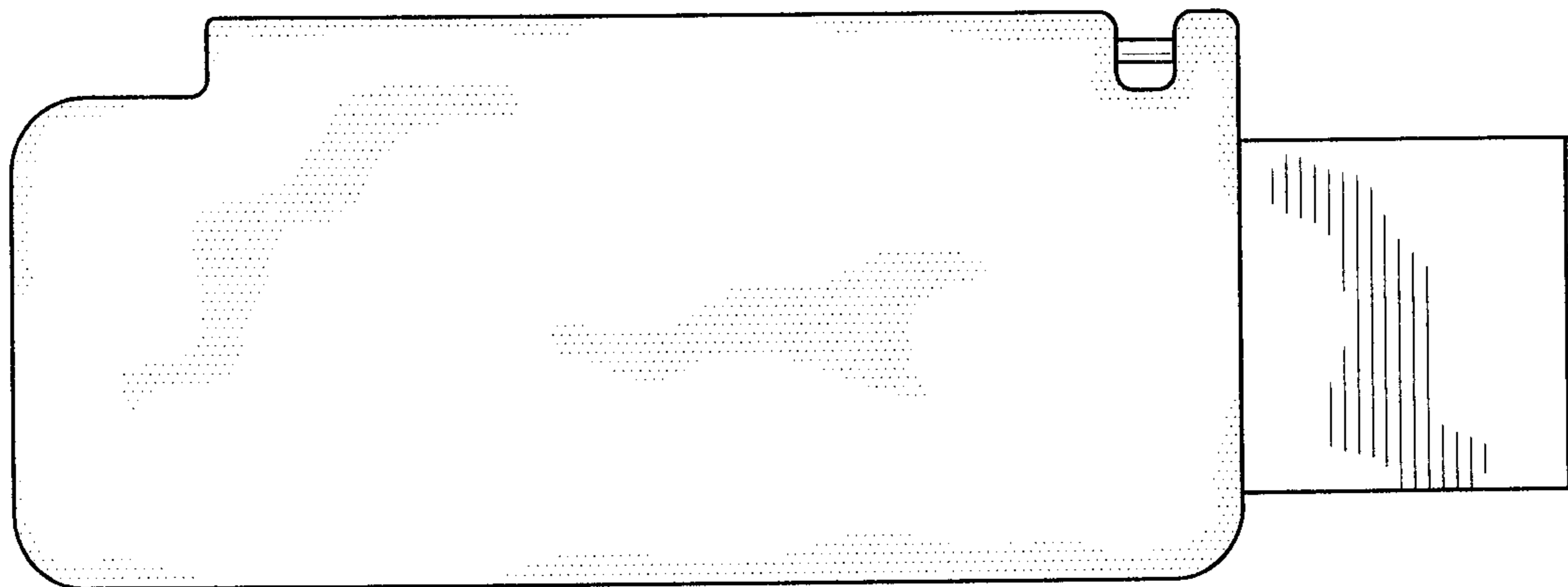


FIG.2



FIG.3

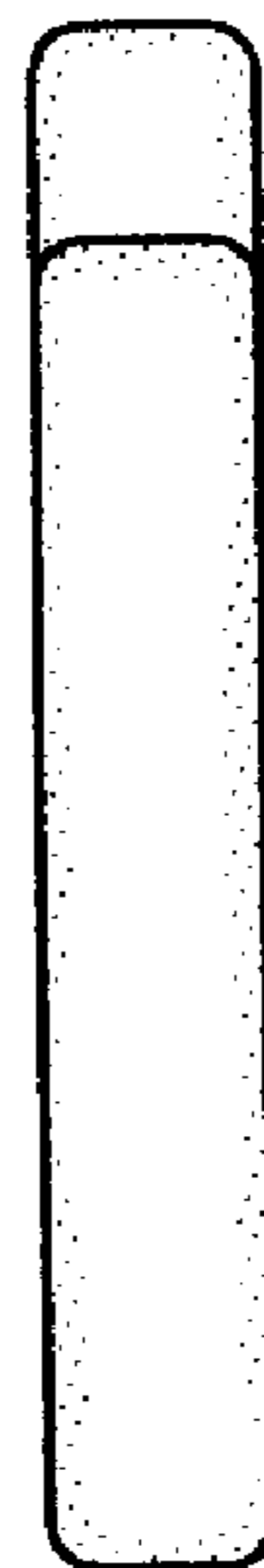


FIG.4



FIG. 5



FIG. 6

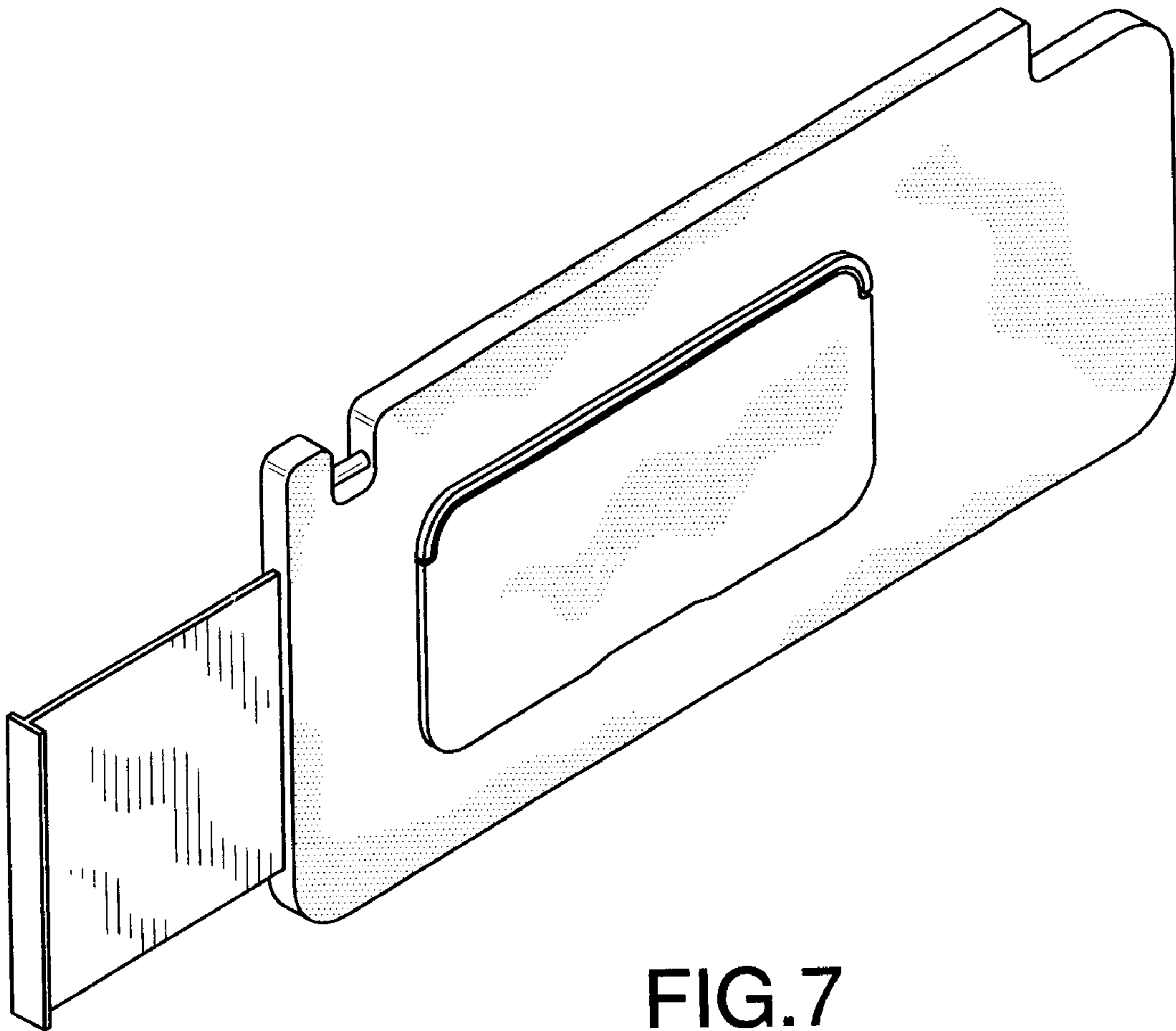


FIG. 7