



US00D526258S

(12) **United States Design Patent**
Branham et al.

(10) **Patent No.:** **US D526,258 S**

(45) **Date of Patent:** **** Aug. 8, 2006**

(54) **VEHICLE TOP MOUNT MIRROR SUPPORT ARM**

(75) Inventors: **Michael Dean Branham**, Blythewood, SC (US); **Juergen Bittner**, Columbia, SC (US)

(73) Assignee: **Lang Mekra North America, LLC**, Ridgeway, SC (US)

(**) Term: **14 Years**

(21) Appl. No.: **29/210,204**

(22) Filed: **Jul. 28, 2004**

(51) **LOC (8) Cl.** **12-16**

(52) **U.S. Cl.** **D12/187**

(58) **Field of Classification Search** D12/187-189;
359/838-851, 855-868, 871-881
See application file for complete search history.

(56) **References Cited**

U.S. PATENT DOCUMENTS

D385,243 S	*	10/1997	Lang	D12/188
D393,025 S	*	3/1998	Englander et al.	D12/187
D424,001 S	*	5/2000	Englander	D12/187

D434,360 S	*	11/2000	Wagner et al.	D12/223
D434,716 S	*	12/2000	Zieske	D12/223
D452,671 S	*	1/2002	Lang	D12/187
D457,114 S	*	5/2002	Lang et al.	D12/187
D460,393 S	*	7/2002	Kidd	D12/188
D466,455 S	*	12/2002	Kidd et al.	D12/187
D512,355 S	*	12/2005	Courbon	D12/187

* cited by examiner

Primary Examiner—Melody N. Brown

(74) *Attorney, Agent, or Firm*—McNair Law Firm, P.A.

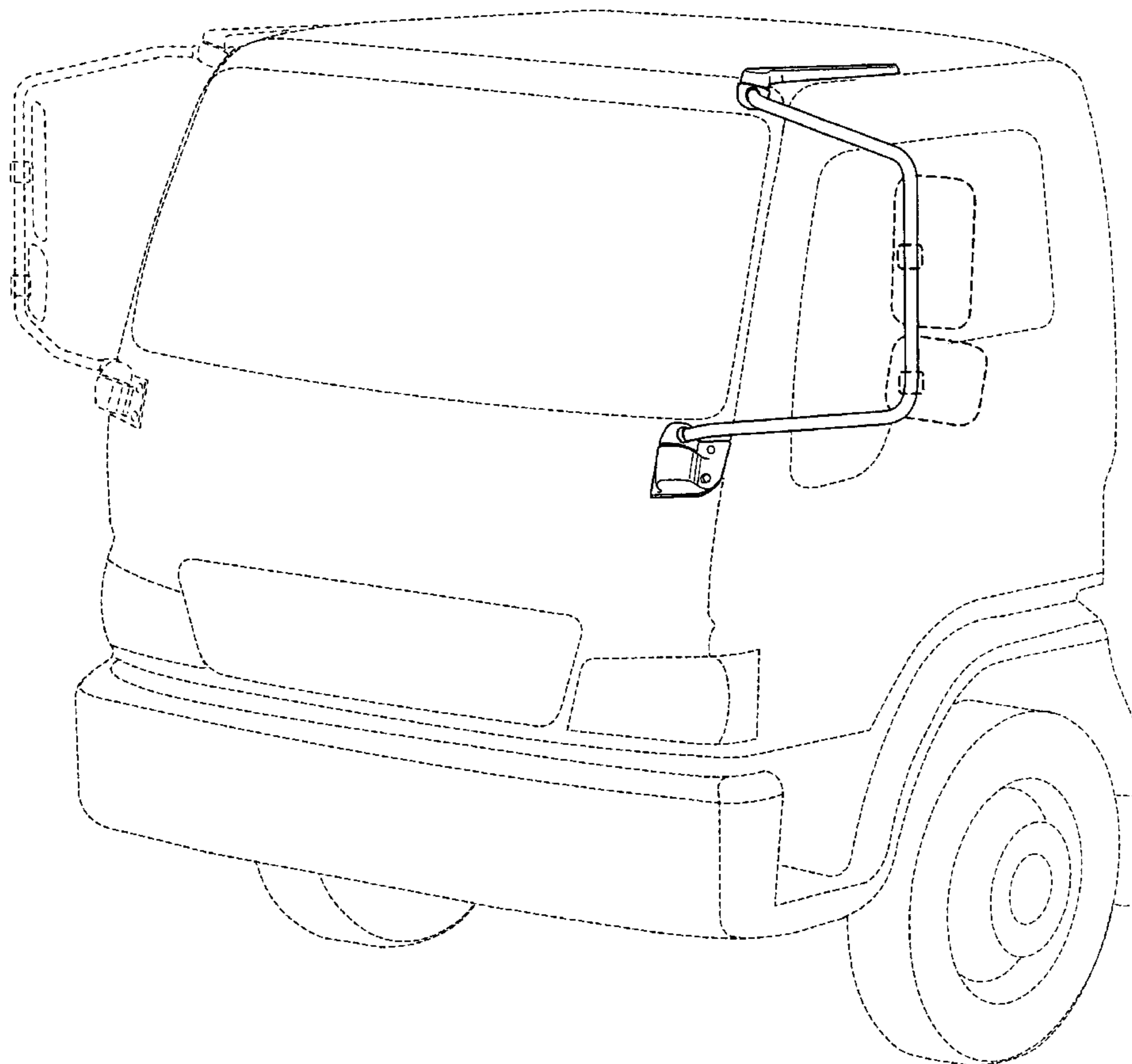
(57) **CLAIM**

The ornamental design for a vehicle top mount mirror support arm, as shown and described.

DESCRIPTION

FIG. 1 is a right front perspective view of a vehicle top mount mirror support arm showing our new design, the vehicle portion shown in broken lines are for illustrative purposes only and form no part of the claimed design; FIG. 2 is a rear elevation view thereof; FIG. 3 is a front elevation view thereof; and, FIG. 4 is a side elevation view thereof.

1 Claim, 4 Drawing Sheets



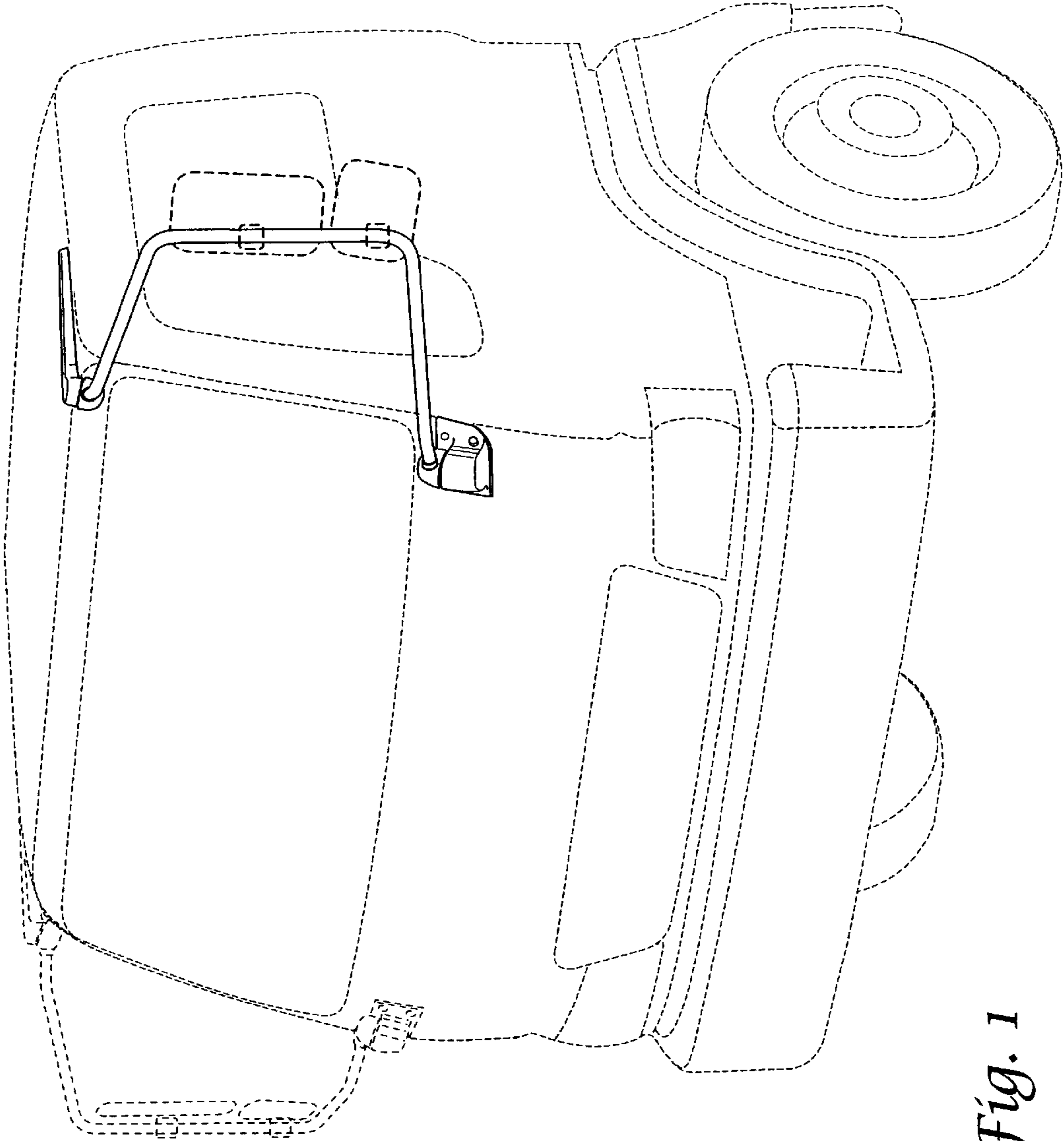


Fig. 1

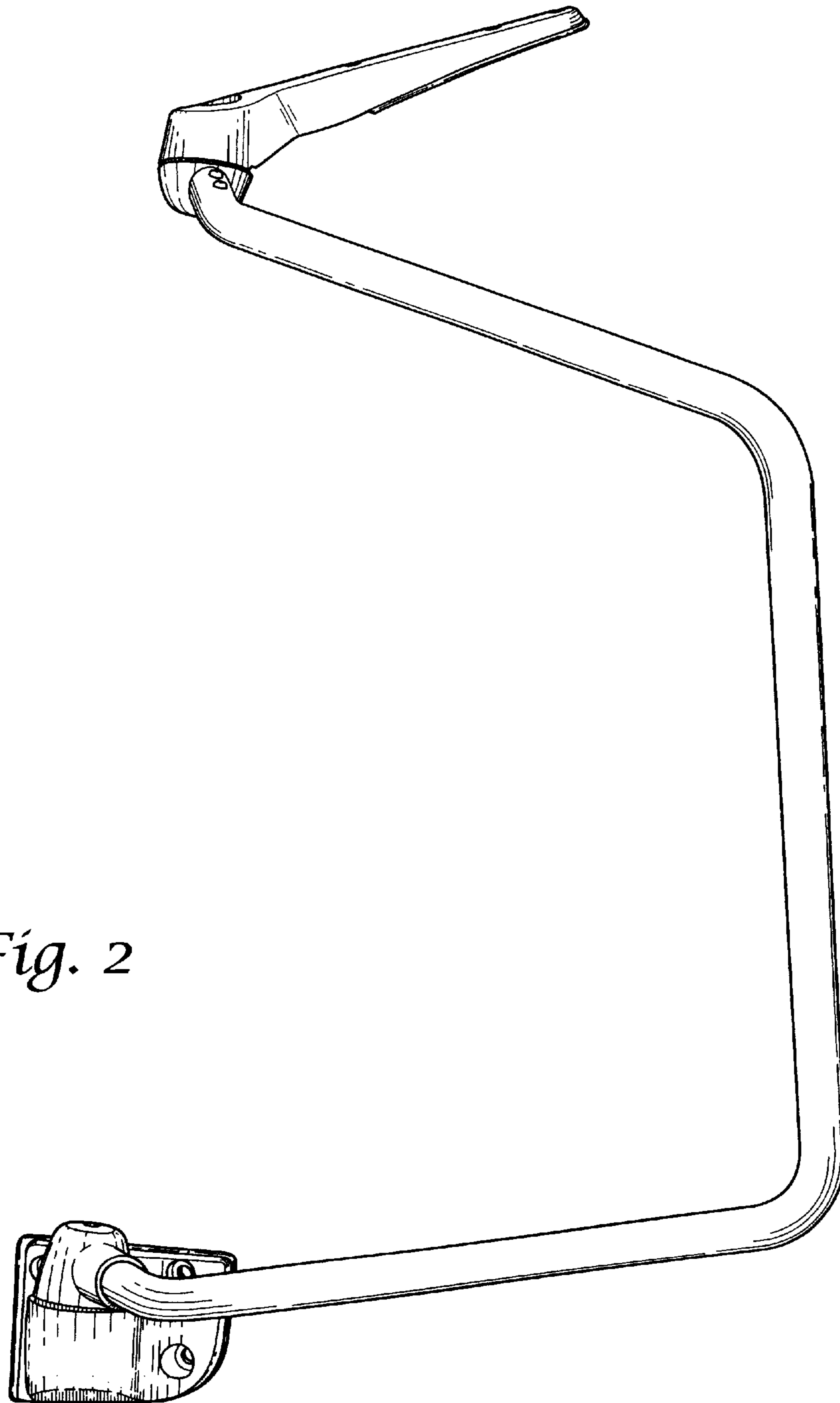


Fig. 2

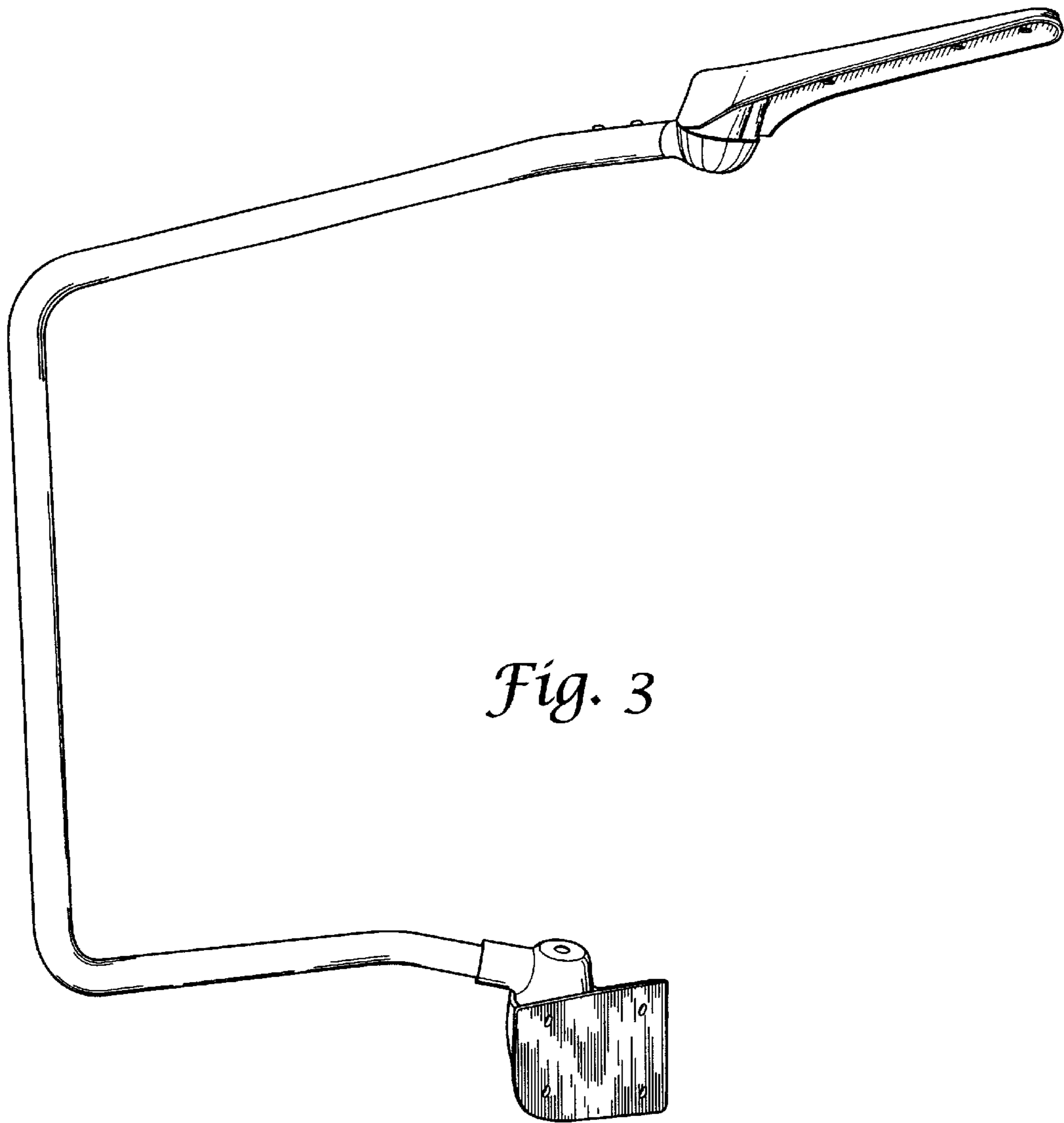


Fig. 3

