



US00D526255S

(12) **United States Design Patent**  
**Peng**

(10) **Patent No.:** **US D526,255 S**

(45) **Date of Patent:** **\*\* Aug. 8, 2006**

(54) **VEHICLE STEERING WHEEL COVER  
HAVING A DESIGN OF ILLUMINATED  
STRIPES MADE OF LIGHT-TRANSMISSIVE  
MATERIAL**

D457,472 S \* 5/2002 Burden ..... D12/177  
D480,669 S \* 10/2003 Proudfit et al. .... D12/177  
D486,105 S \* 2/2004 Proudfit et al. .... D12/177  
D490,757 S \* 6/2004 Peng ..... D12/177

(76) Inventor: **Vincent Peng**, 322 S. Ynez Ave., #C,  
Monterey Park, CA (US) 91754

\* cited by examiner

*Primary Examiner*—Melody N. Brown

(\*\*) Term: **14 Years**

(57) **CLAIM**

(21) Appl. No.: **29/190,359**

The ornamental design for a vehicle steering wheel cover having a design of illuminated stripes made of light-transmissive material, as shown and described.

(22) Filed: **Sep. 20, 2003**

(51) **LOC (8) Cl.** ..... **12-16**

(52) **U.S. Cl.** ..... **D12/177**

(58) **Field of Classification Search** ..... D12/175-177;  
74/552, 558, 558.5

See application file for complete search history.

**DESCRIPTION**

FIG. 1 is a front perspective view of a vehicle steering wheel cover having illuminated stripes made of light-transmissive material showing my new design, the steering wheel portions are for illustrative purposes only and form no part of the claimed design;

FIG. 2 is a front elevational view thereof, the rear view being a mirror image; and,

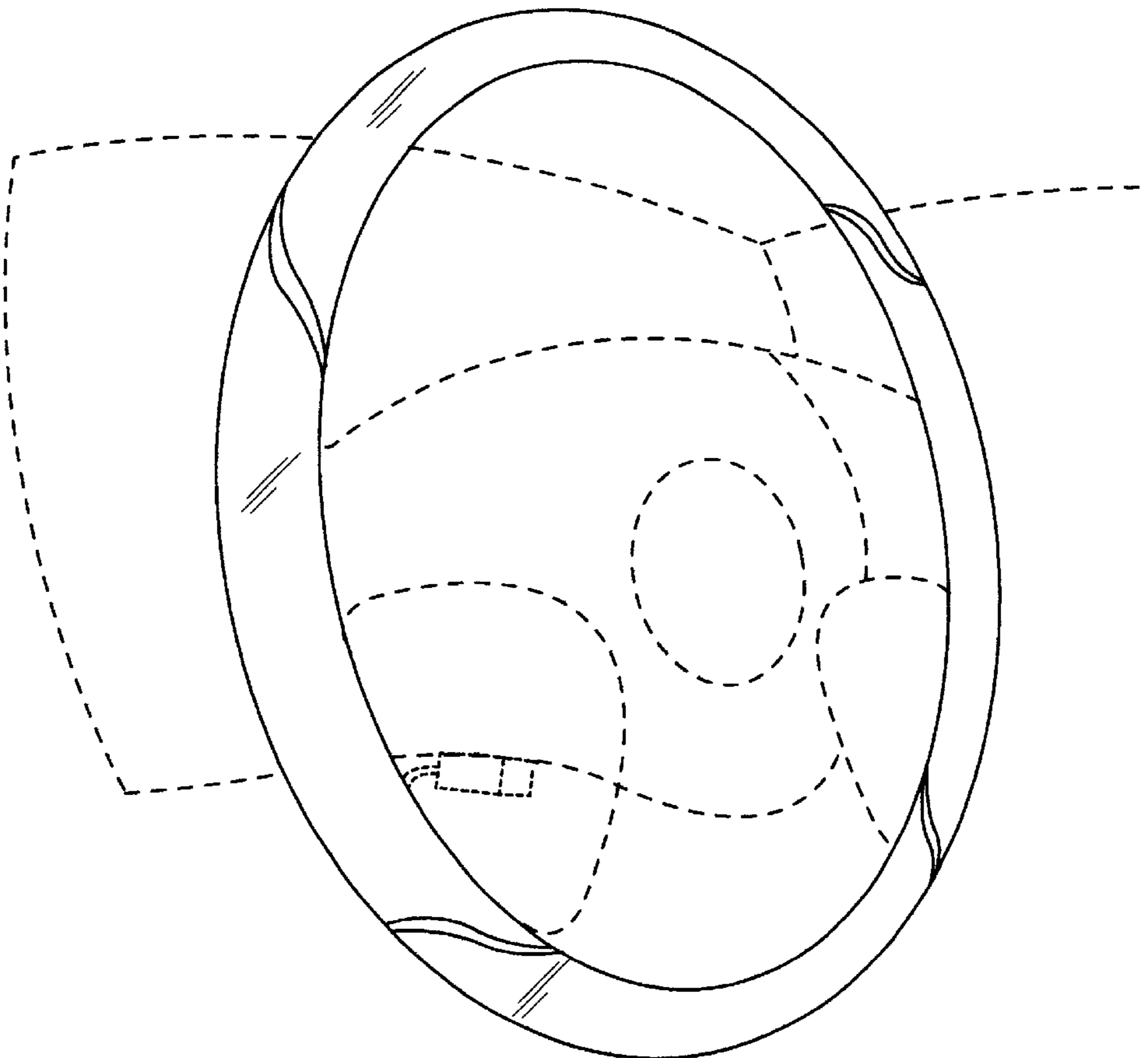
FIG. 3 is a right-side elevational view thereof, the left-side being a mirror image.

(56) **References Cited**

U.S. PATENT DOCUMENTS

D408,770 S \* 4/1999 Colquitt ..... D12/176  
D424,996 S \* 5/2000 McShay, Jr. .... D12/176  
D430,086 S \* 8/2000 Huang ..... D12/177  
D441,699 S \* 5/2001 Lin ..... D12/177

**1 Claim, 3 Drawing Sheets**



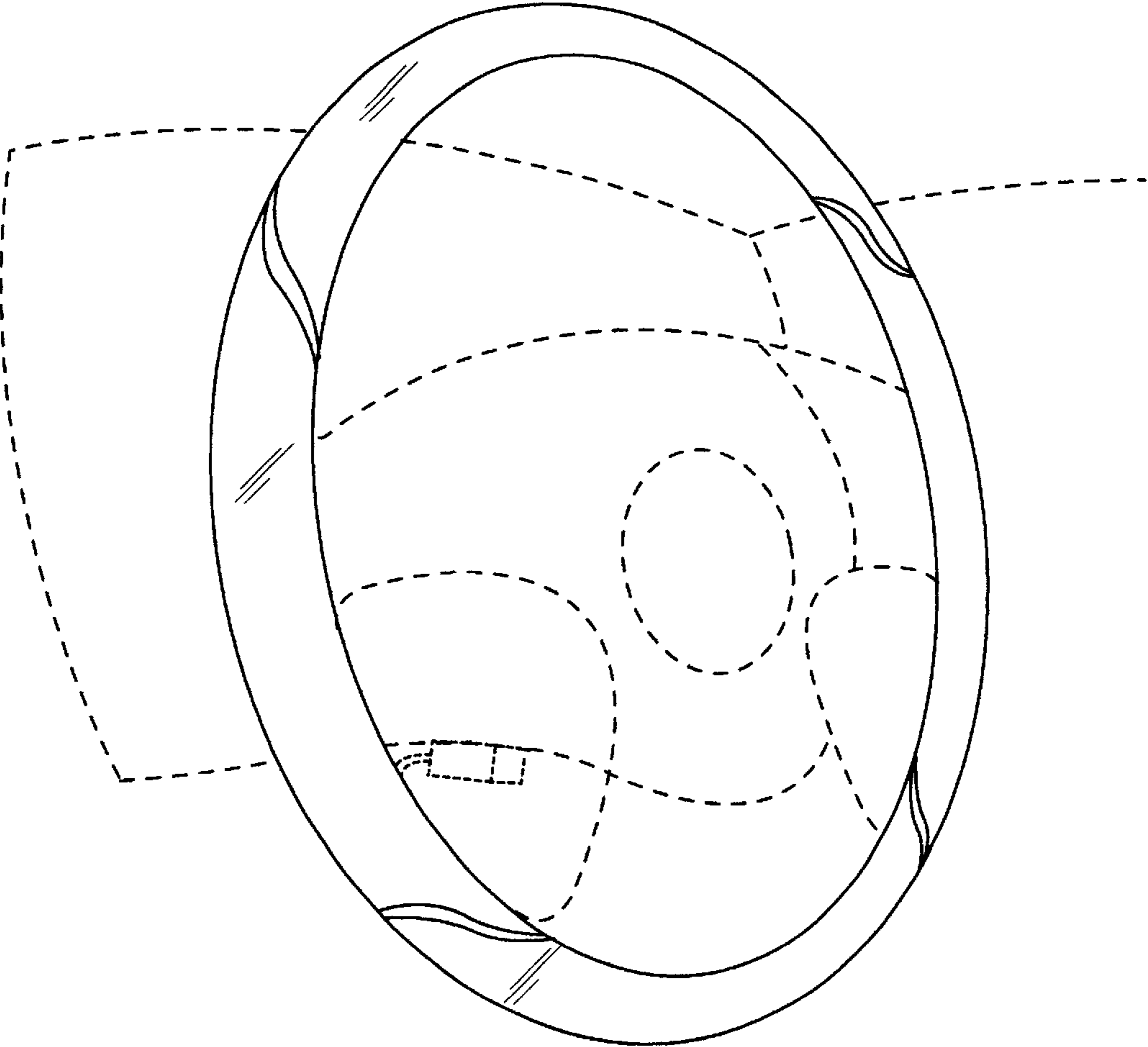


Figure 1

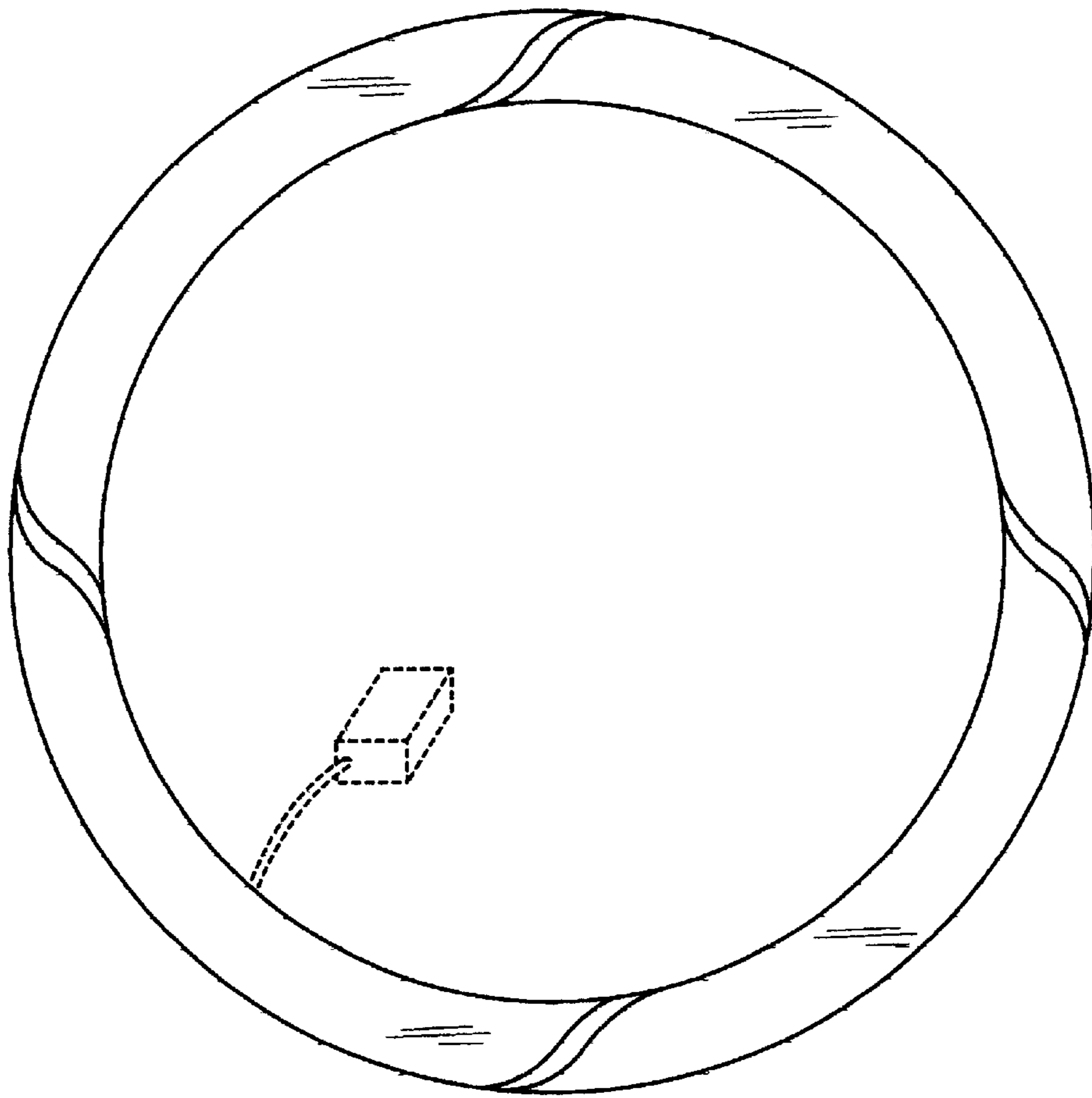


Figure 2

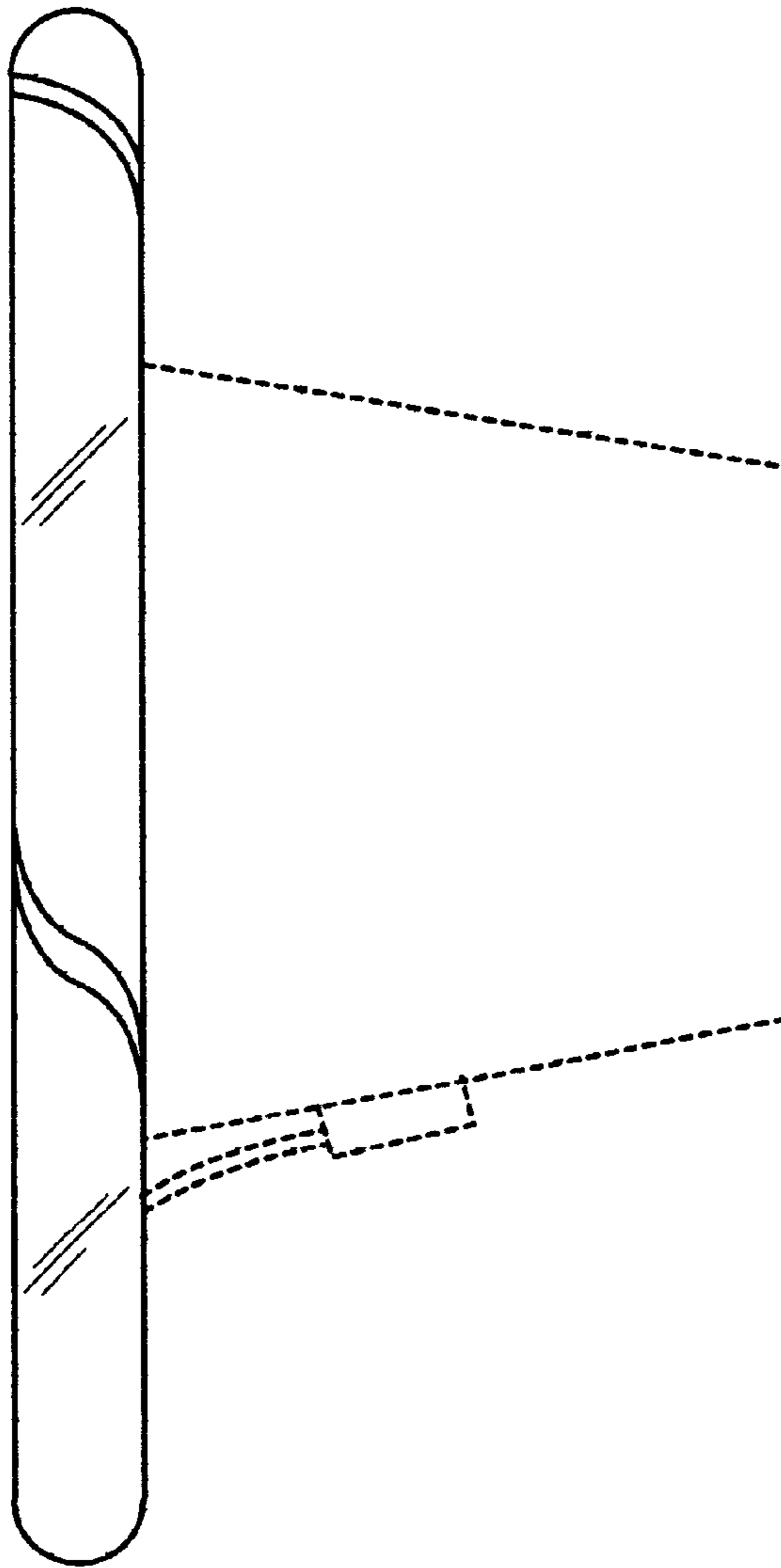


Figure 3