



US00D526253S

(12) **United States Design Patent**  
**Oda**

(10) **Patent No.:** **US D526,253 S**

(45) **Date of Patent:** **\*\* Aug. 8, 2006**

(54) **GRILL FOR AN AUTOMOBILE**

(75) Inventor: **Tatsuya Oda**, Wako (JP)

(73) Assignee: **Honda Motor Co., Ltd.**, Tokyo (JP)

(\*\*) Term: **14 Years**

(21) Appl. No.: **29/234,344**

(22) Filed: **Jul. 18, 2005**

(30) **Foreign Application Priority Data**

Jan. 19, 2005 (JP) ..... 2005-001199

(51) **LOC (8) Cl.** ..... **12-16**

(52) **U.S. Cl.** ..... **D12/163**

(58) **Field of Classification Search** ..... D12/163,  
D12/171, 90-92, 216, 169, 196; 180/68.1,  
180/68.6; 296/194; 293/102, 113, 115  
See application file for complete search history.

(56) **References Cited**

**U.S. PATENT DOCUMENTS**

D447,726 S \* 9/2001 Okano ..... D12/169

D452,837 S \* 1/2002 Kitamura et al. .... D12/163  
D463,334 S \* 9/2002 Koman ..... 12/169

\* cited by examiner

*Primary Examiner*—Melody N. Brown

(74) *Attorney, Agent, or Firm*—Westerman, Hattori,  
Daniels & Adrian, LLP.

(57) **CLAIM**

The ornamental design for, a grill for an automobile, as shown and described.

**DESCRIPTION**

FIG. 1 is a front elevation view of A grill for an automobile, showing our new design;

FIG. 2 is a top plan view thereof;

FIG. 3 is a right side elevation view thereof, the left side elevation view is a mirror image of the right side elevation view; and,

FIG. 4 is a perspective view thereof.

The broken lines in the drawings are illustrative purposes only and form no part of the claimed design.

**1 Claim, 4 Drawing Sheets**

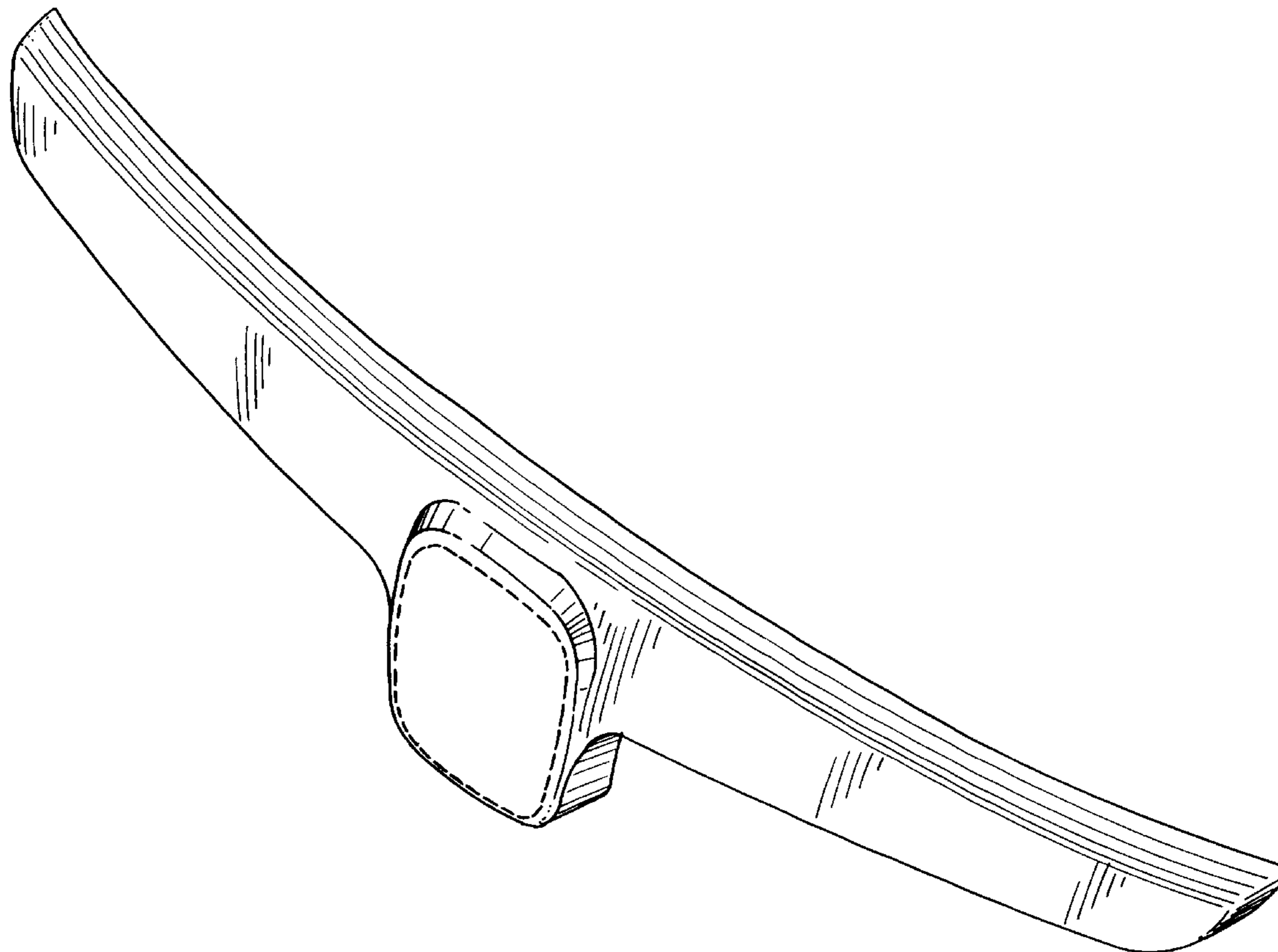


FIG. 1

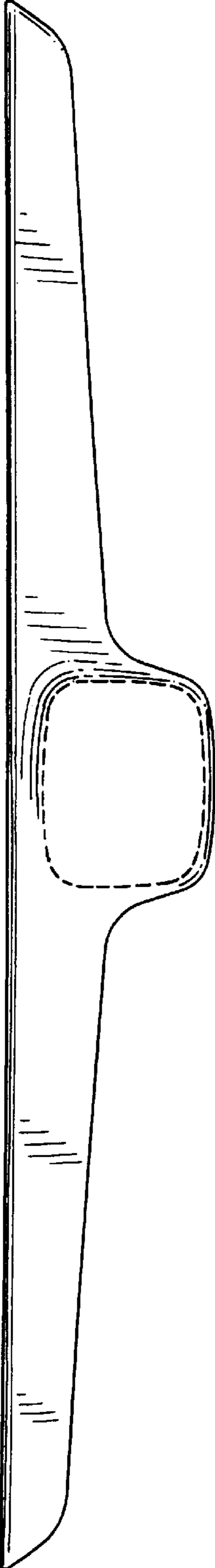


FIG. 2

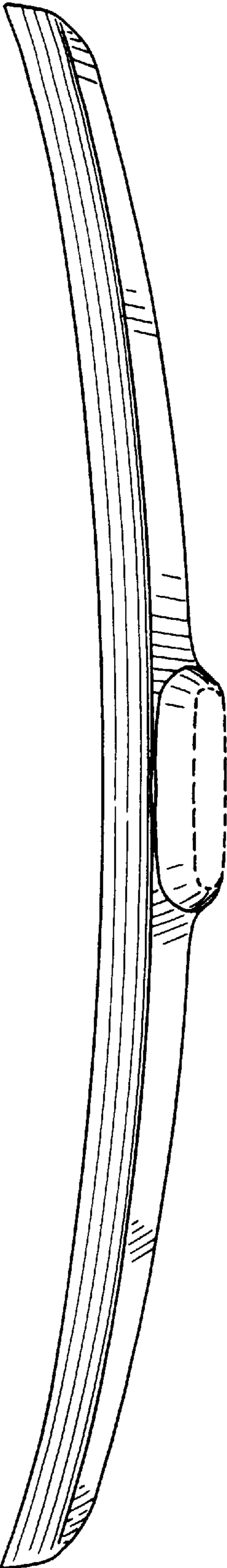


FIG. 3

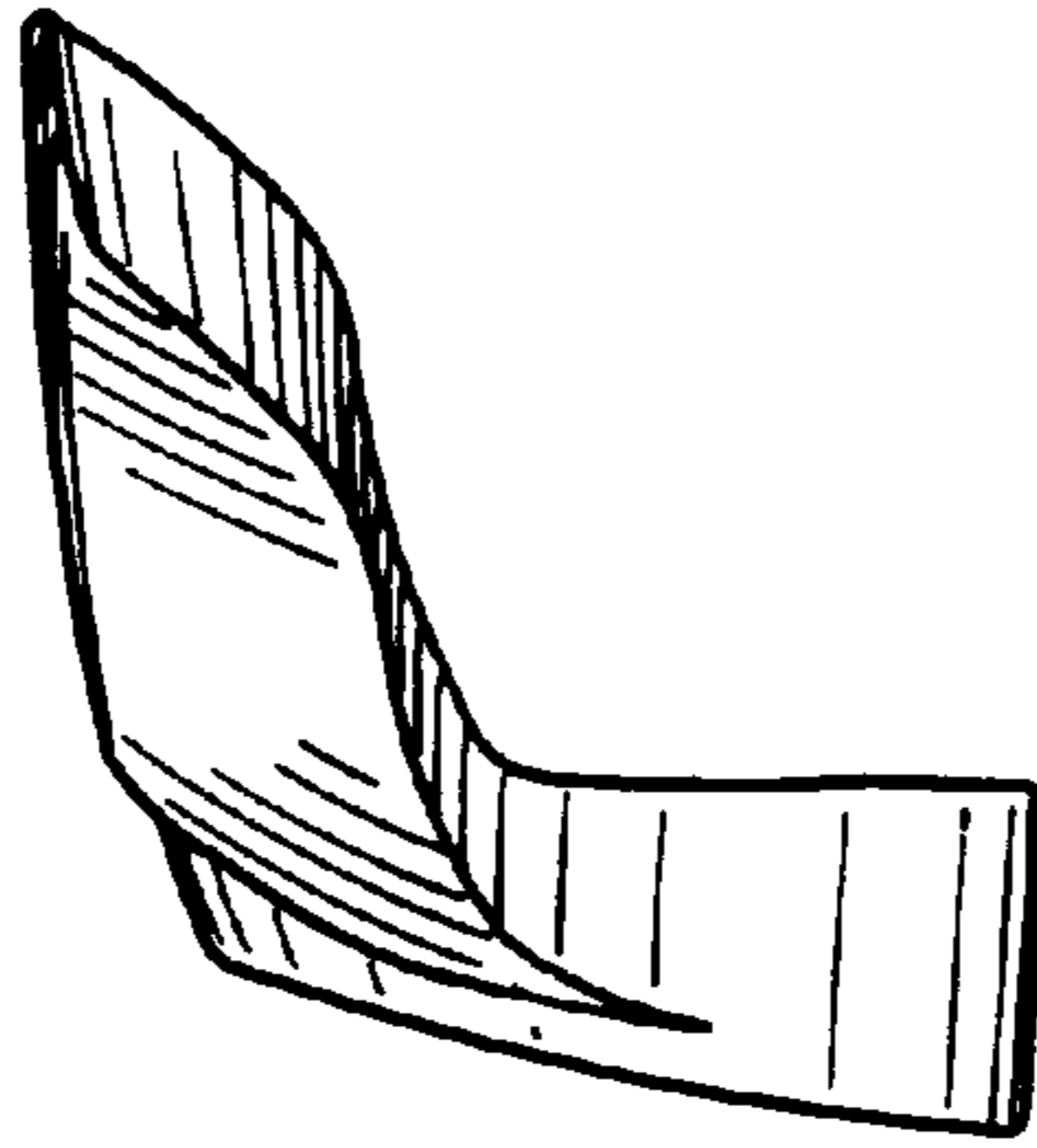


FIG. 4

