



US00D526250S

(12) **United States Design Patent**
Trumble et al.

(10) **Patent No.:** **US D526,250 S**

(45) **Date of Patent:** **** Aug. 8, 2006**

(54) **ELLIPTICAL BIKE**

6,439,590 B1 * 8/2002 Liang 280/221
6,773,022 B1 8/2004 Janssen 280/221

(75) Inventors: **James Trumble**, Royal Oak, MI (US);
Jos Timmermans, Ortonville, MI (US)

* cited by examiner

(73) Assignee: **Altair Engineering, Inc.**, Troy, MI
(US)

Primary Examiner—Alan P. Douglas

Assistant Examiner—Linda Brooks

(74) *Attorney, Agent, or Firm*—Young & Basile, P.C.

(**) Term: **14 Years**

(57) **CLAIM**

(21) Appl. No.: **29/222,298**

The ornamental design for the elliptical bike, as shown and described.

(22) Filed: **Jan. 27, 2005**

DESCRIPTION

(51) **LOC (8) Cl.** **12-11**

(52) **U.S. Cl.** **D12/111**

(58) **Field of Classification Search** D12/107,

D12/111; D21/663-665; 482/51-53, 57;

280/220, 221, 251-253, 270, 278, 279, 282,

280/281.1, 288.1-288.3, 293, 298, 304, 259-261,

280/256

See application file for complete search history.

FIG. 1 is a top perspective view illustrating the ornamental design according to the present invention;

FIG. 2 is a top plan view of the ornamental design;

FIG. 3 is a bottom perspective view of the ornamental design;

FIG. 4 is a front view of the ornamental design;

FIG. 5 is a rear view of the ornamental design;

FIG. 6 is a right-hand view of the ornamental design illustrated in FIG. 1; and,

FIG. 7 is a left-hand view of the ornamental design illustrated in FIG. 1.

(56) **References Cited**

U.S. PATENT DOCUMENTS

5,368,321 A * 11/1994 Berman et al. 280/221

1 Claim, 7 Drawing Sheets

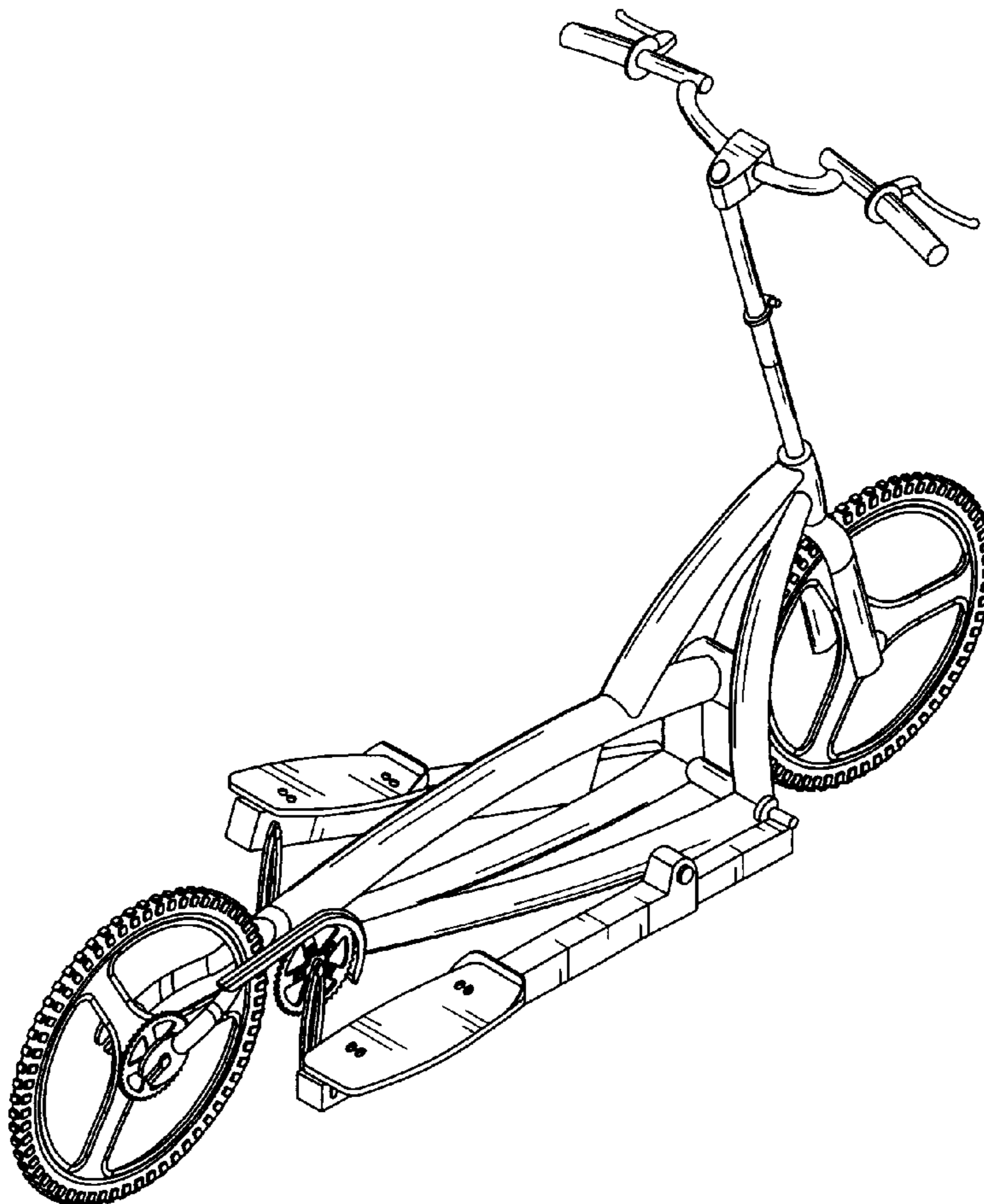
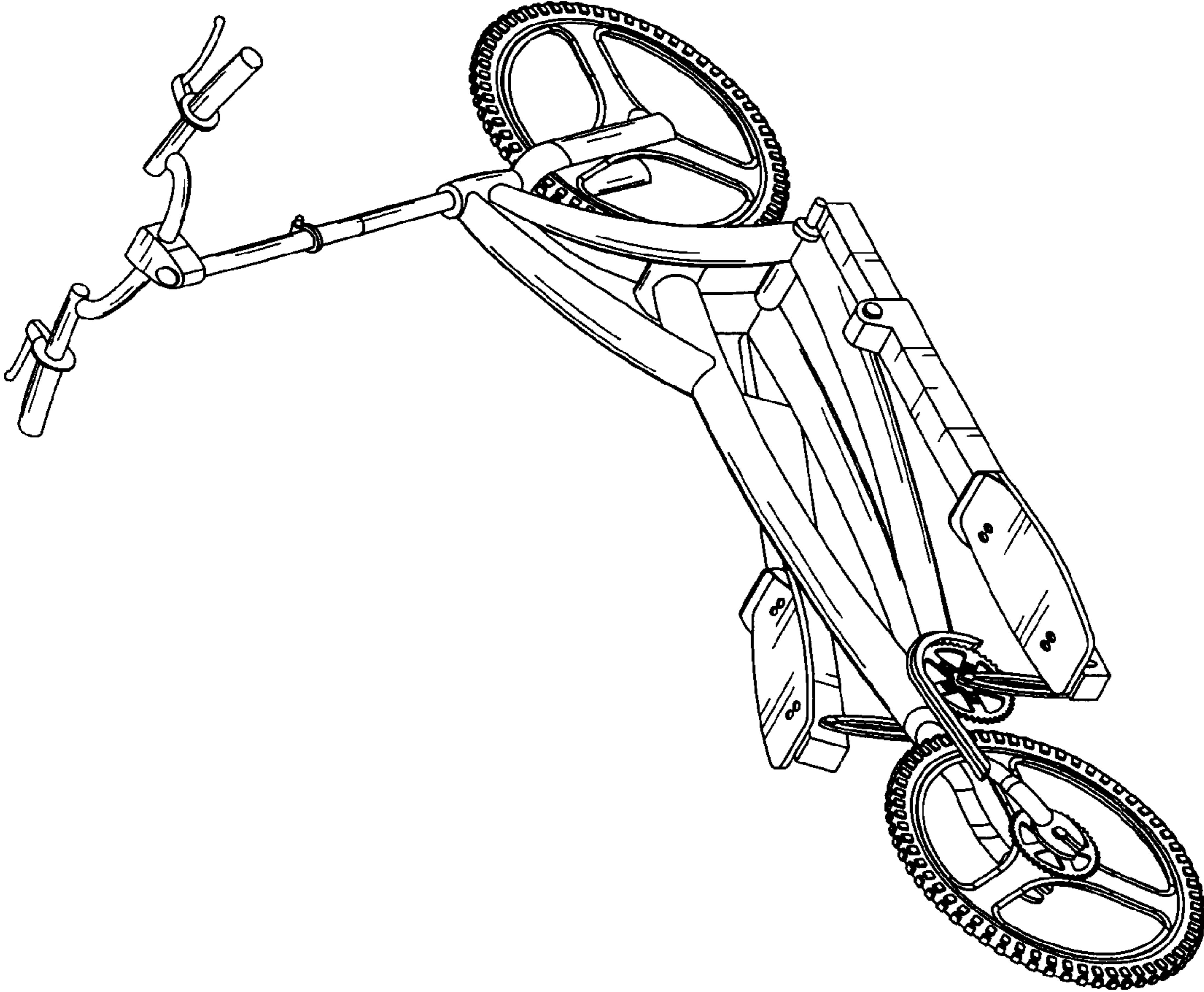


FIG. 1



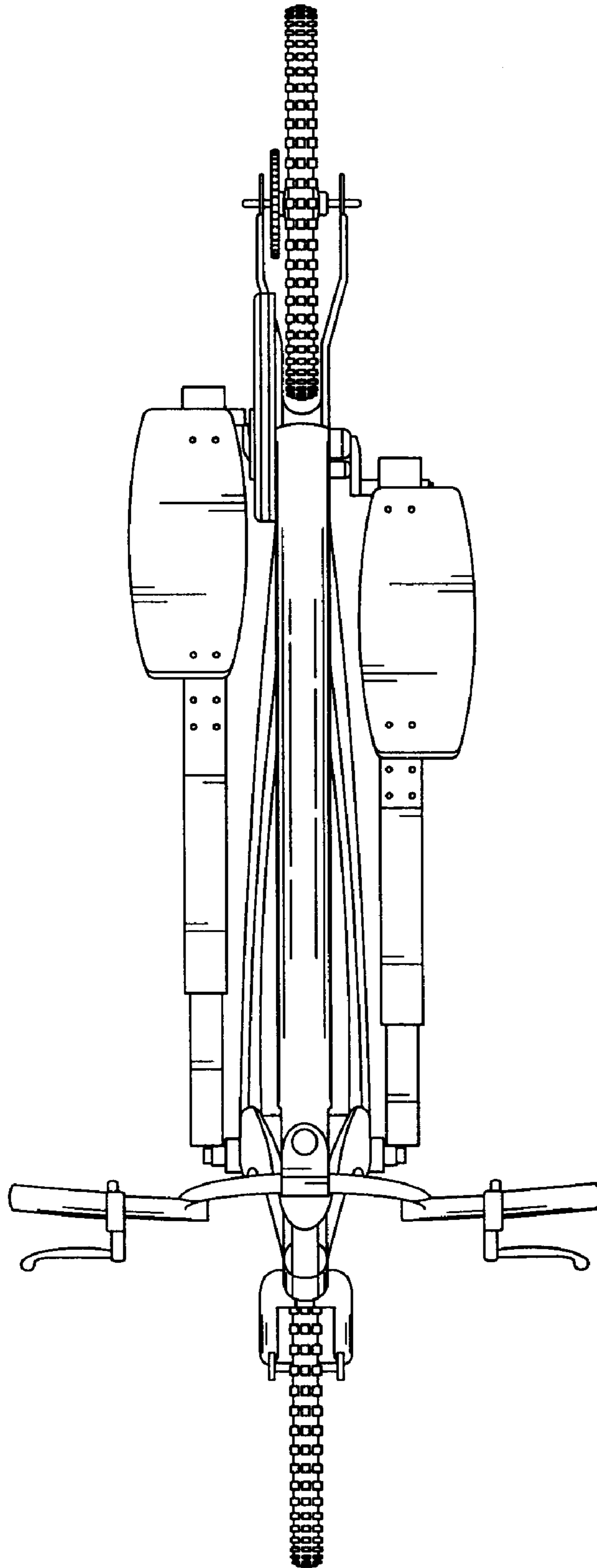


FIG. 2

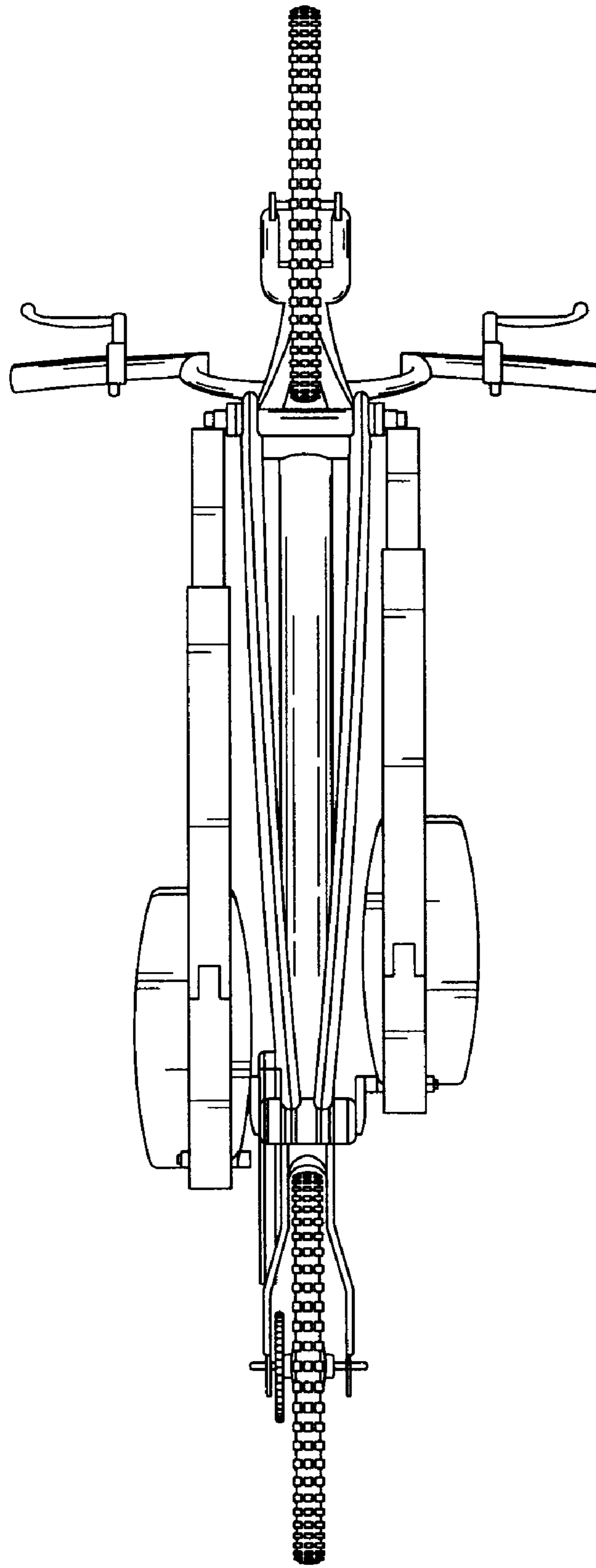


FIG. 3

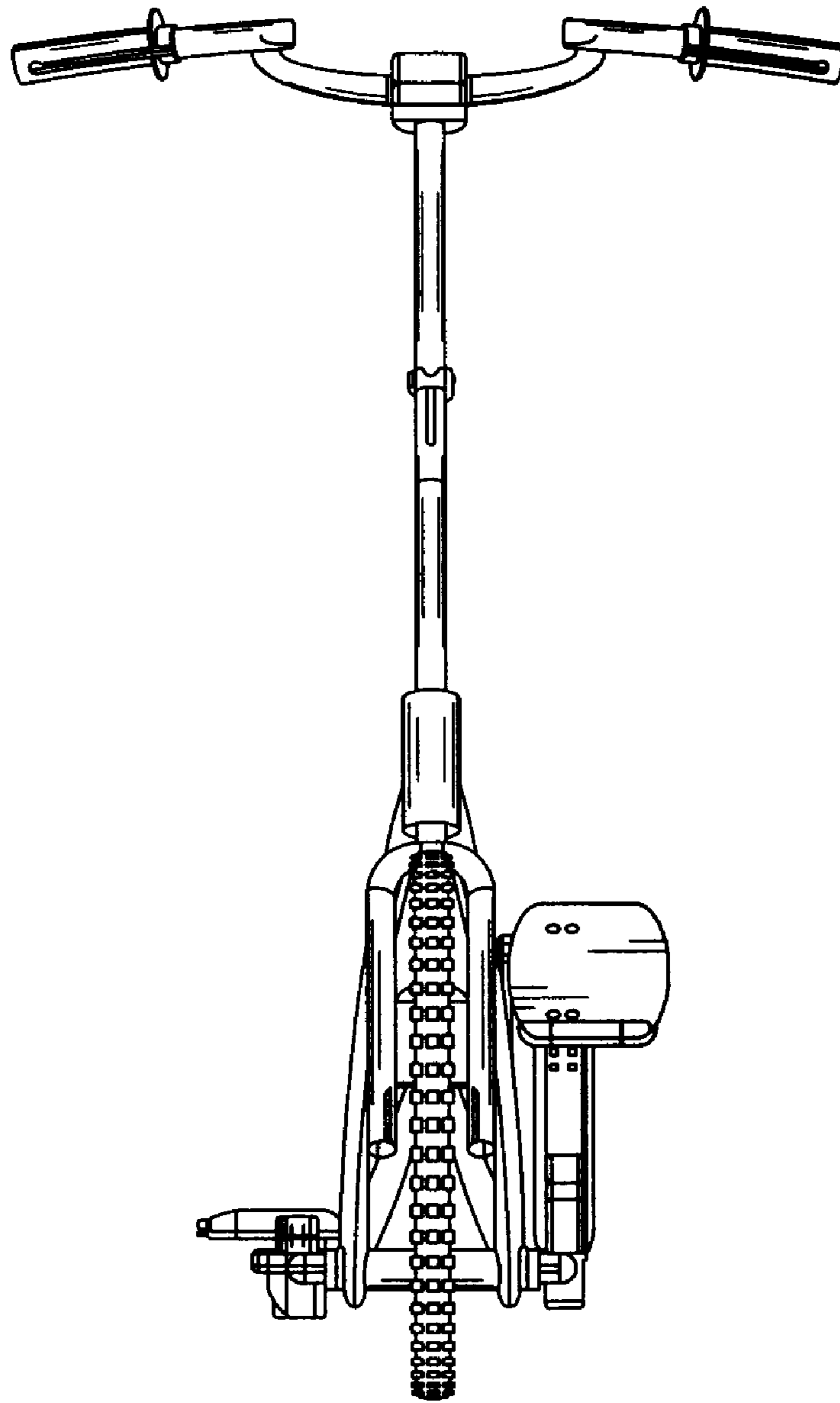


FIG. 4

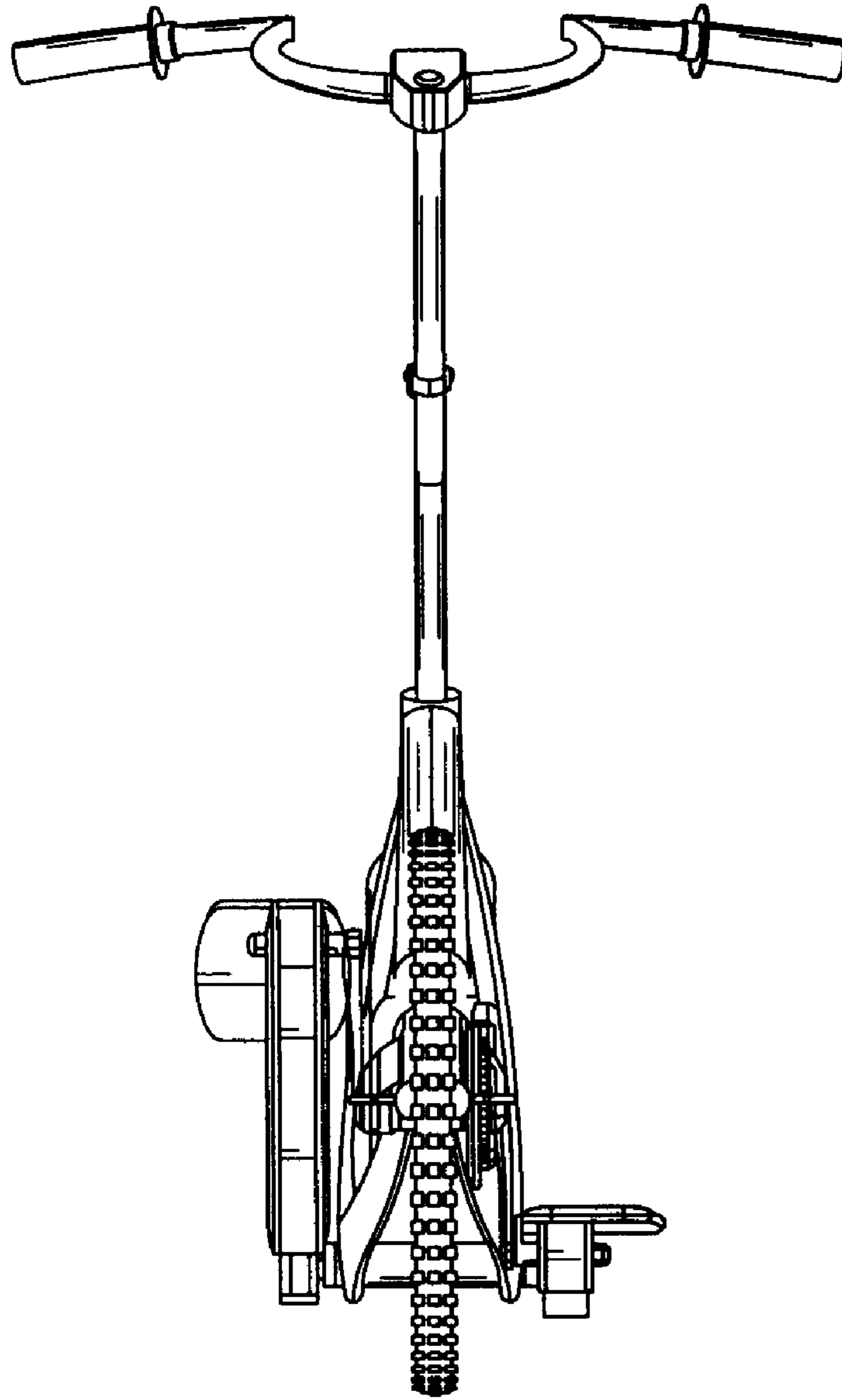


FIG. 5

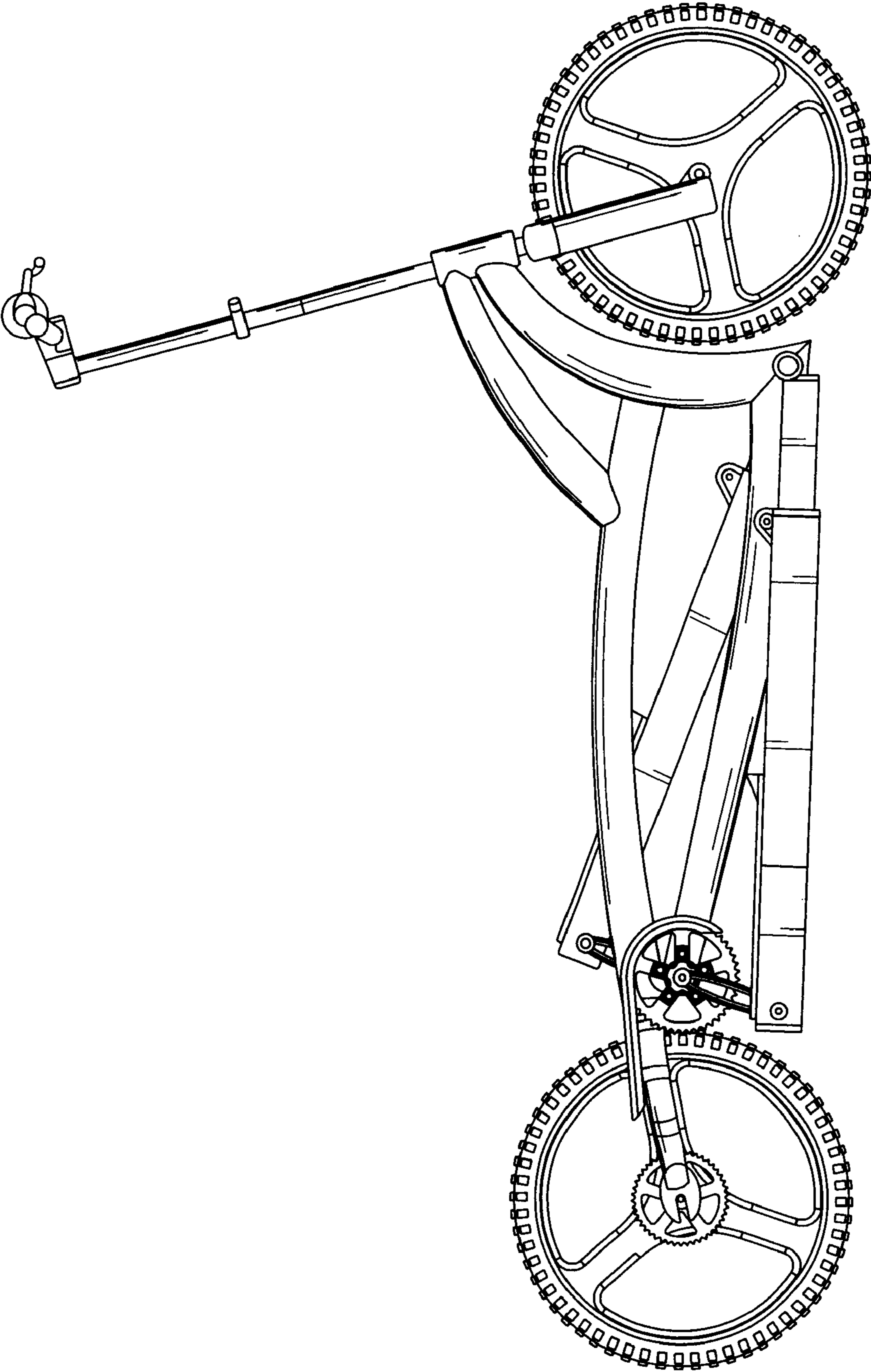


FIG. 6

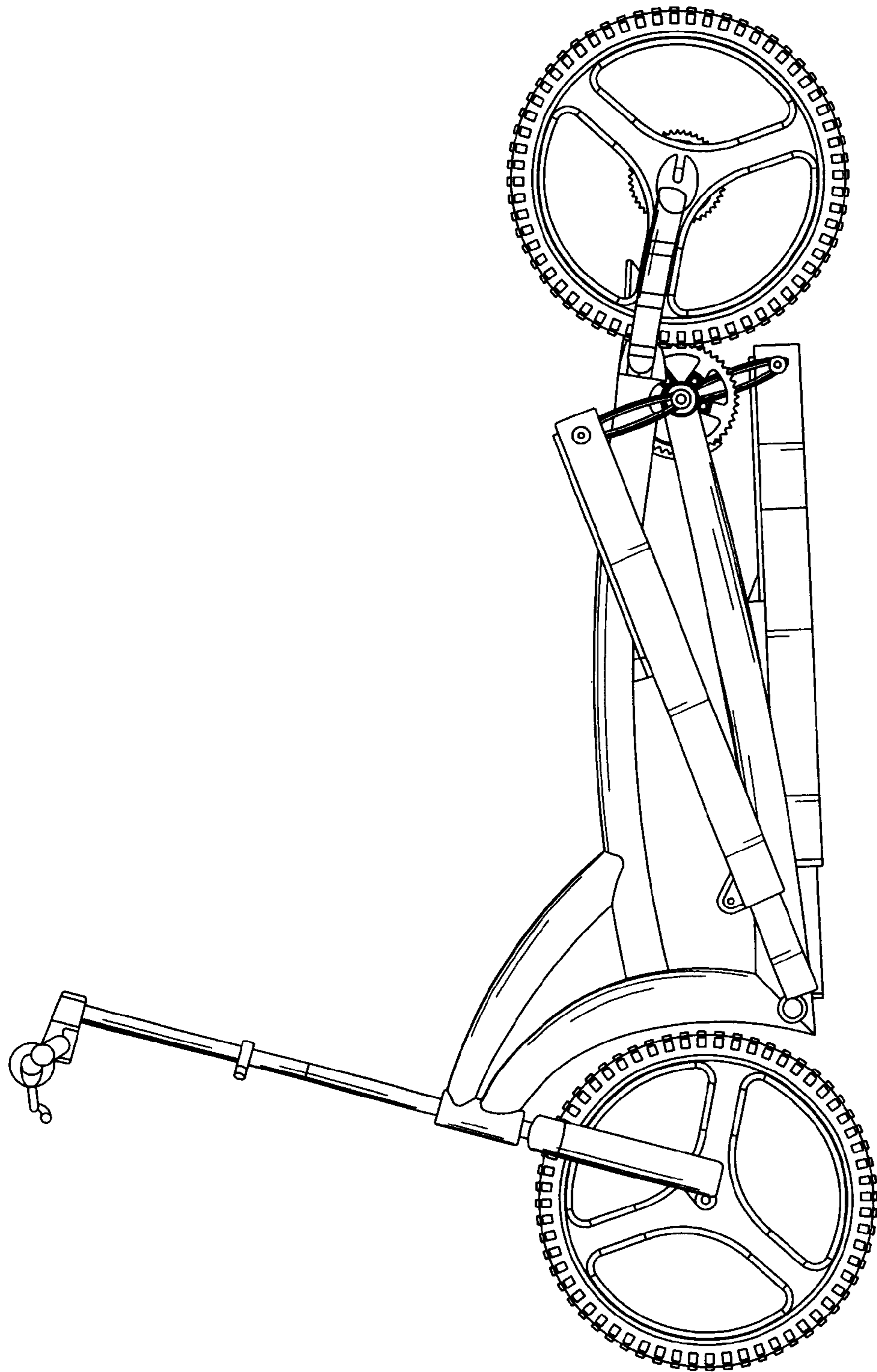


FIG. 7