



US00D526249S

(12) **United States Design Patent**
Tanaka et al.

(10) **Patent No.:** **US D526,249 S**

(45) **Date of Patent:** **** Aug. 8, 2006**

(54) **MOTORCYCLE**

(75) Inventors: **Shunji Tanaka**, Kobe (JP); **Seiichi Ino**,
Kakogawa (JP); **Naoki Hashimoto**,
Kakogawa (JP)

(73) Assignee: **Kawasaki Jukogyo Kabushiki Kaisha**
(JP)

(**) Term: **14 Years**

(21) Appl. No.: **29/225,623**

(22) Filed: **Mar. 18, 2005**

(51) **LOC (8) Cl.** **12-11**

(52) **U.S. Cl.** **D12/110**

(58) **Field of Classification Search** **D12/110;**
180/219, 229, 220, 225

See application file for complete search history.

(56) **References Cited**

U.S. PATENT DOCUMENTS

D384,601 S 10/1997 Hiruma et al.
D431,501 S 10/2000 Yamamoto et al.
D497,329 S 10/2004 Yamamoto et al.

OTHER PUBLICATIONS

Japanese Design Registration No. 1124207, published Oct.
22, 2001.

Japanese Design Registration No. 1121547, published Sep.
17, 2001.

Japanese Design Registration No. 1216437, published Sep.
6, 2004.

Japanese Design Registration No. 1071597, published May
29, 2000.

Japanese Design Registration No. 1090519, published Nov.
13, 2000.

Primary Examiner—Alan P. Douglas

Assistant Examiner—Linda Brooks

(74) *Attorney, Agent, or Firm*—SAIDMAN DesignLaw
Group

(57) **CLAIM**

The ornamental design for a motorcycle, as shown and
described.

DESCRIPTION

FIG. 1 is a front perspective view of a motorcycle showing
our new design;

FIG. 2 is another front perspective view thereof;

FIG. 3 is a rear perspective view thereof;

FIG. 4 is another rear perspective view thereof;

FIG. 5 is a front view thereof;

FIG. 6 is a rear view thereof;

FIG. 7 is a right side view thereof;

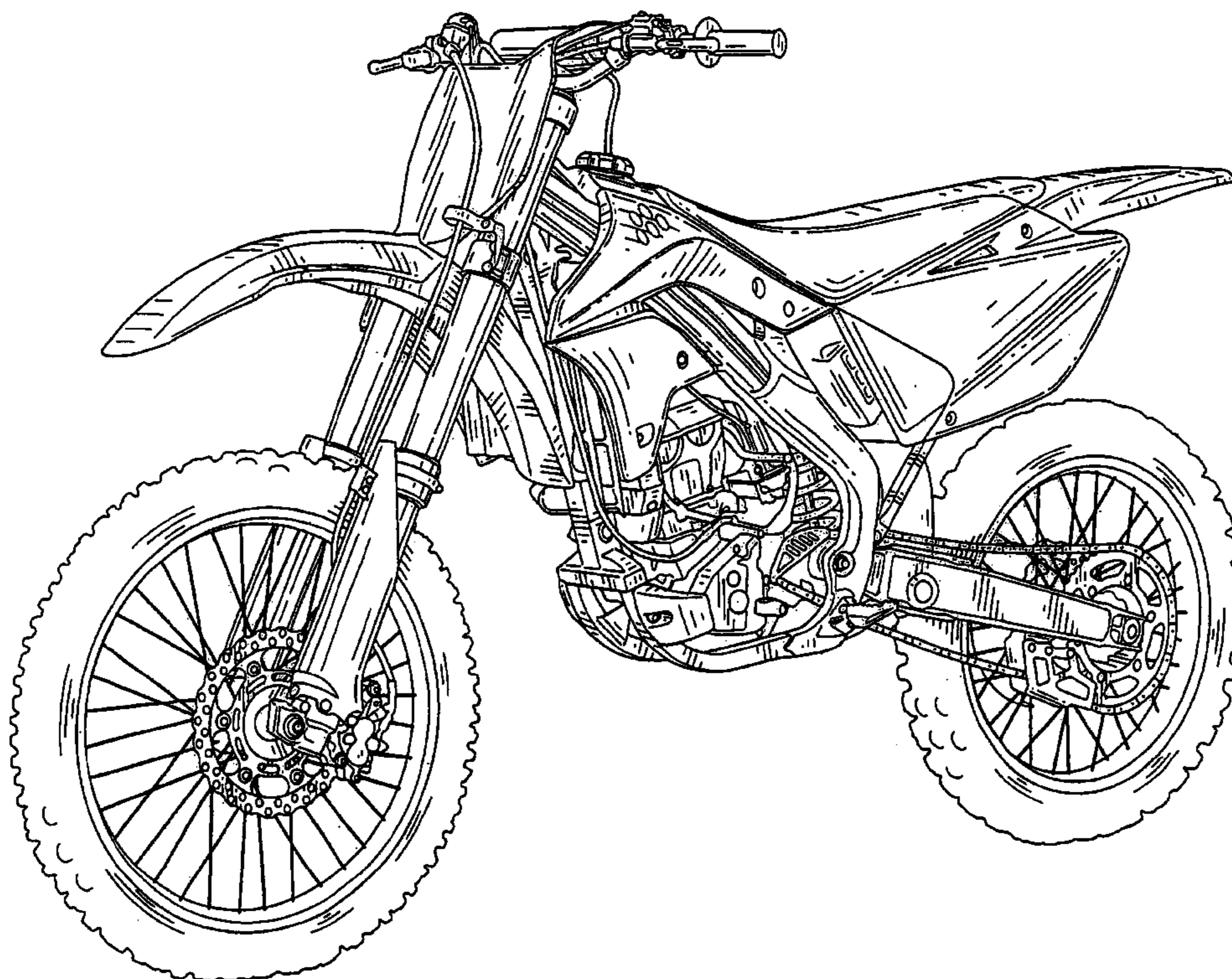
FIG. 8 is a left side view thereof;

FIG. 9 is a top plan view thereof;

FIG. 10 is a bottom plan view thereof; and,

FIG. 11 is a partial enlarged view, showing openings formed
on the side cover of the motorcycle.

1 Claim, 11 Drawing Sheets



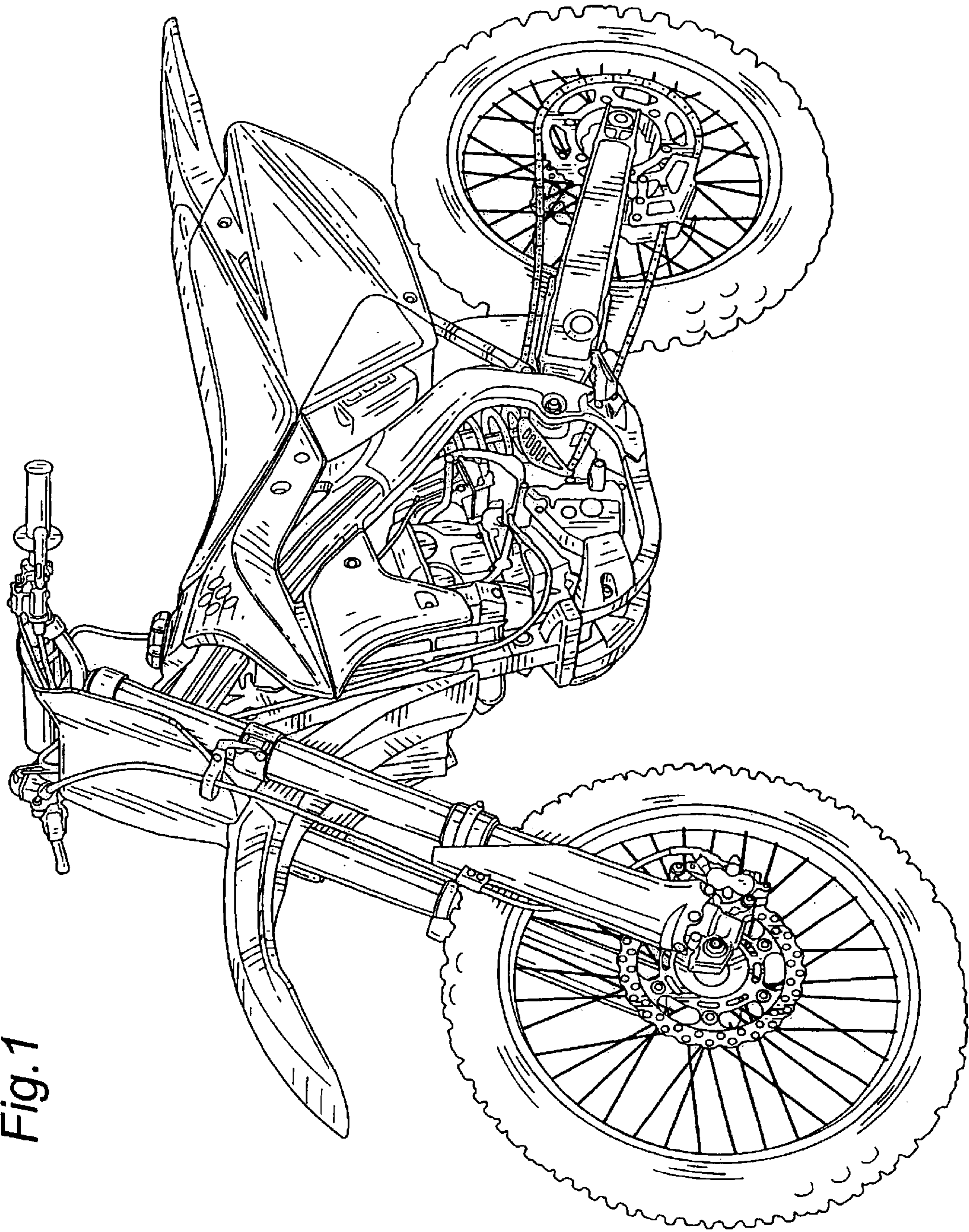


Fig. 1

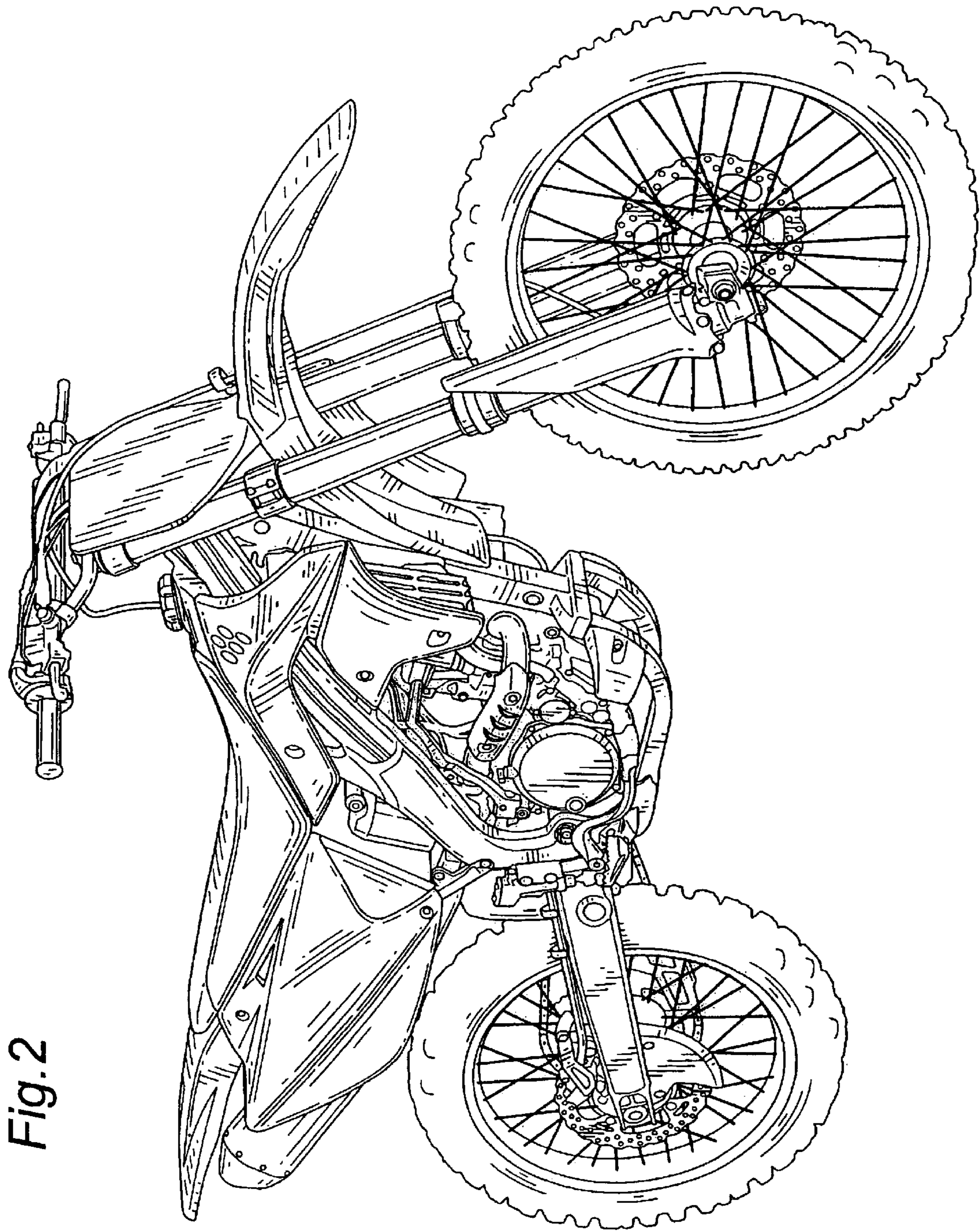


Fig. 2

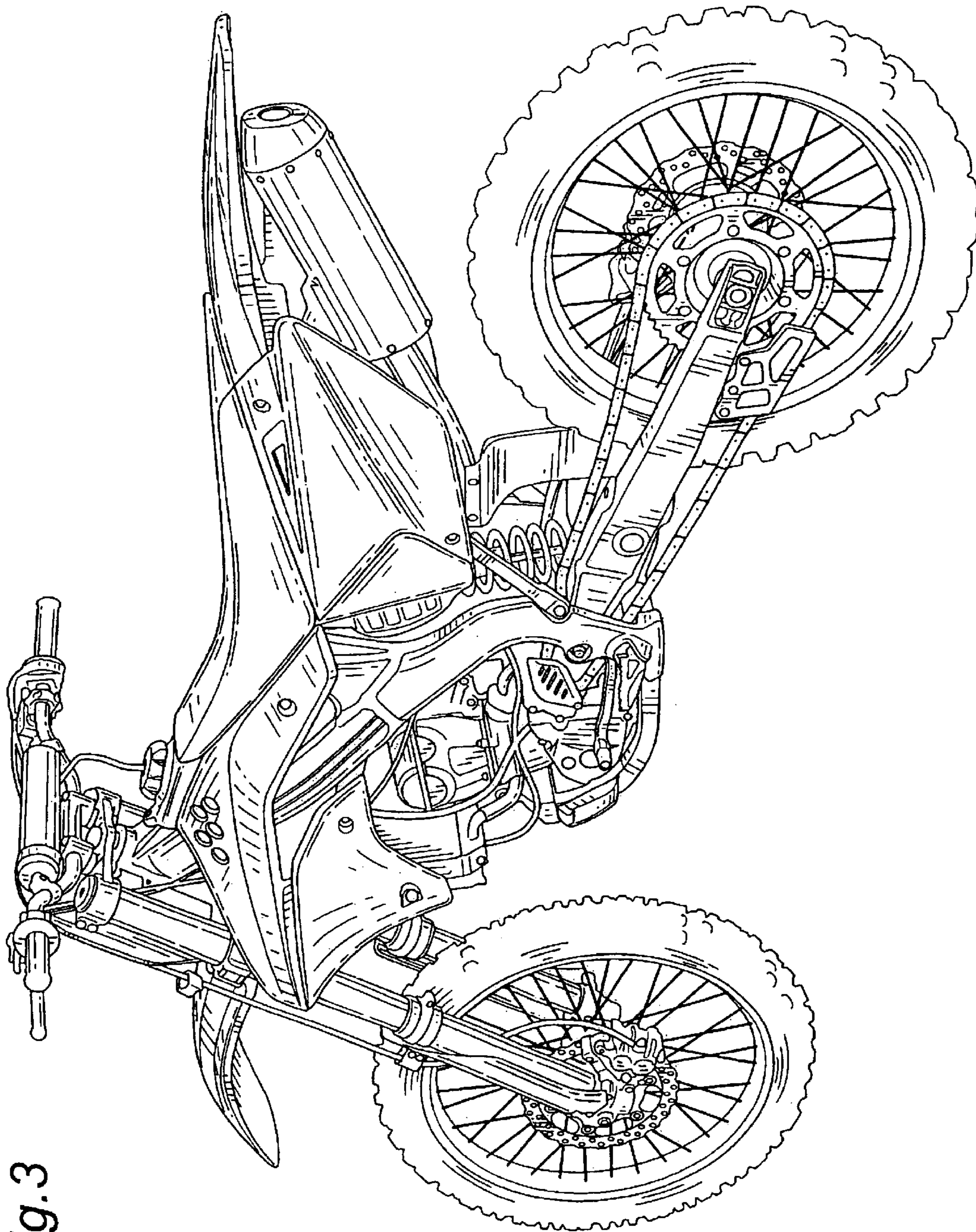


Fig. 3

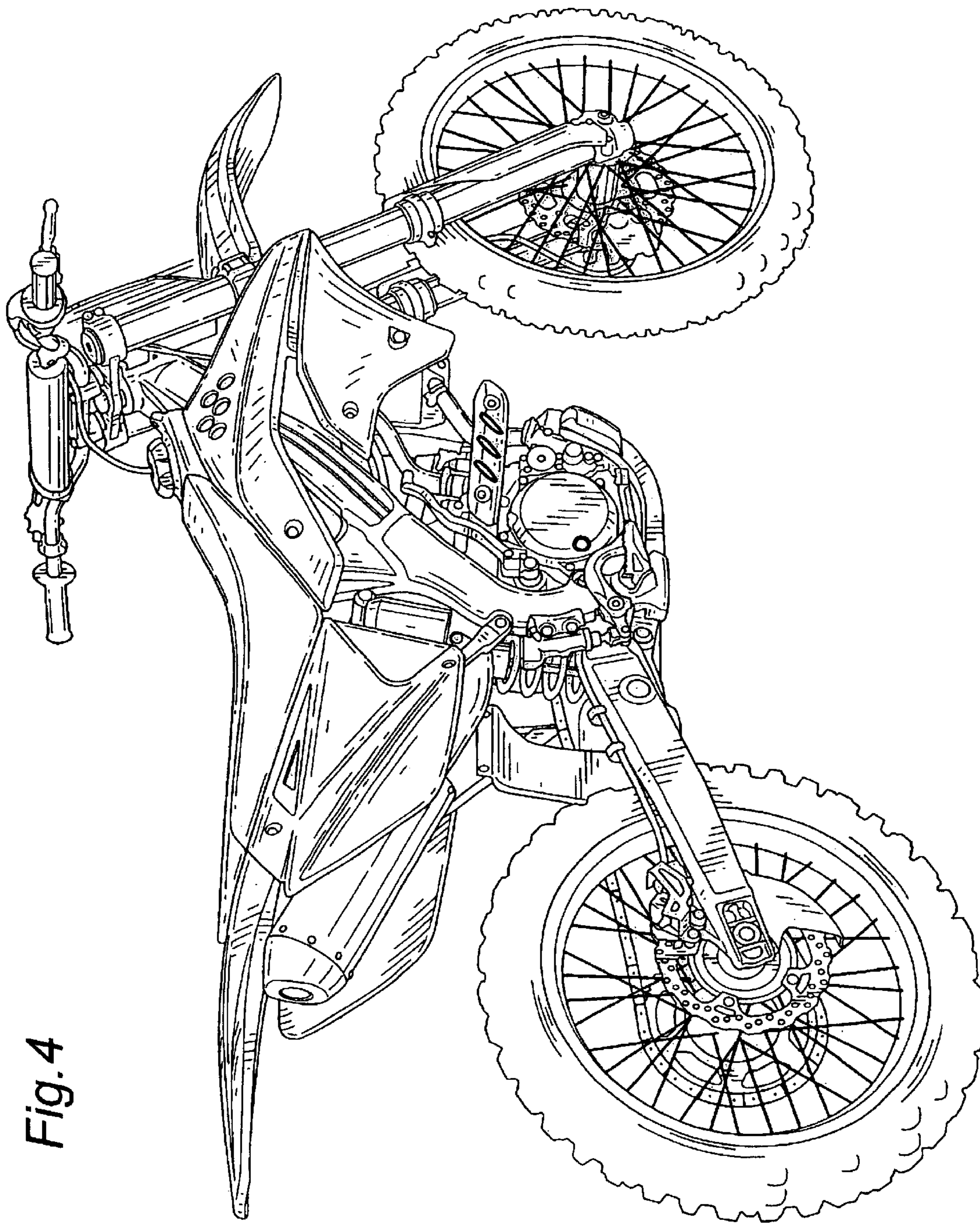


Fig. 4

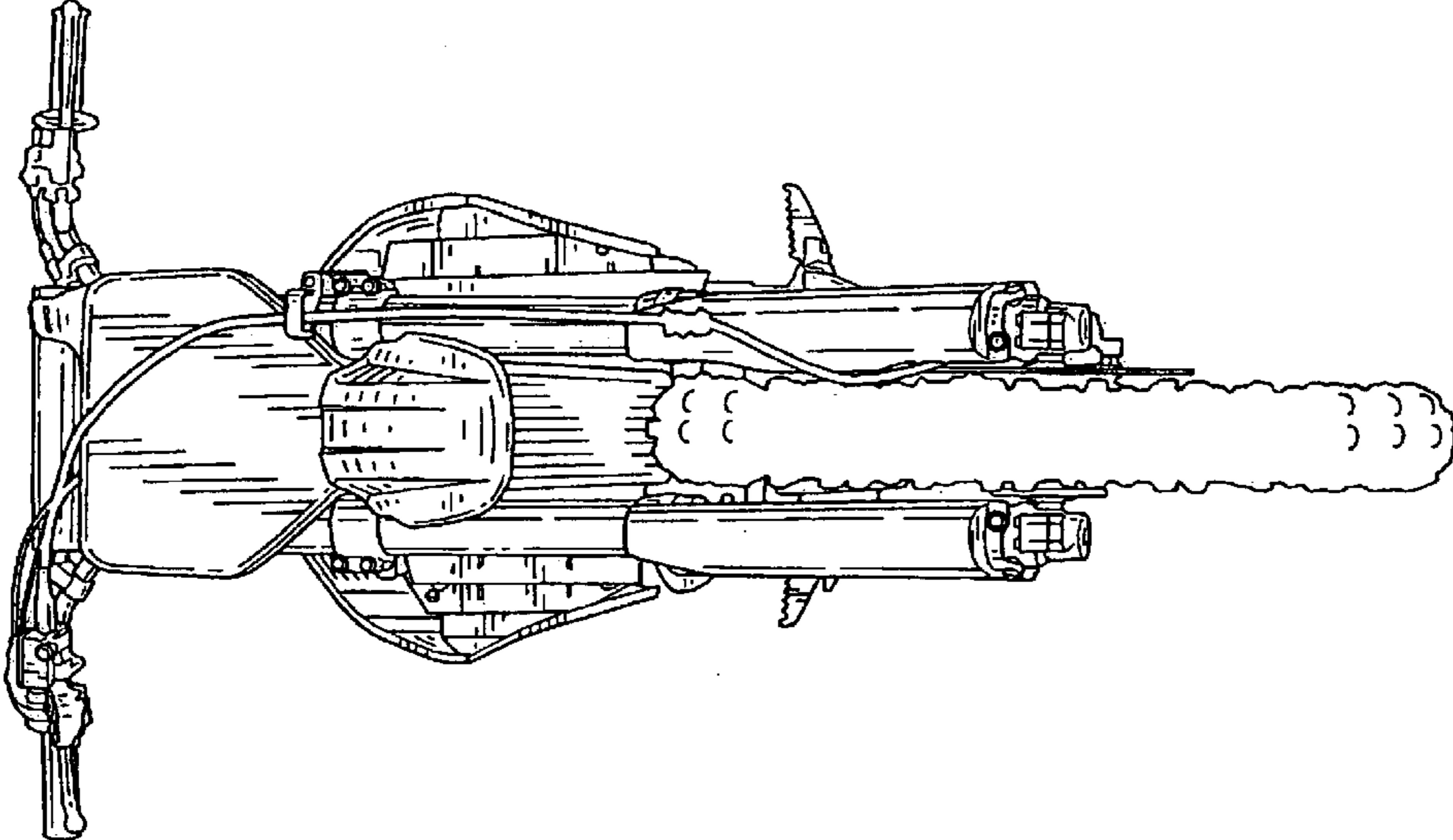


Fig. 5

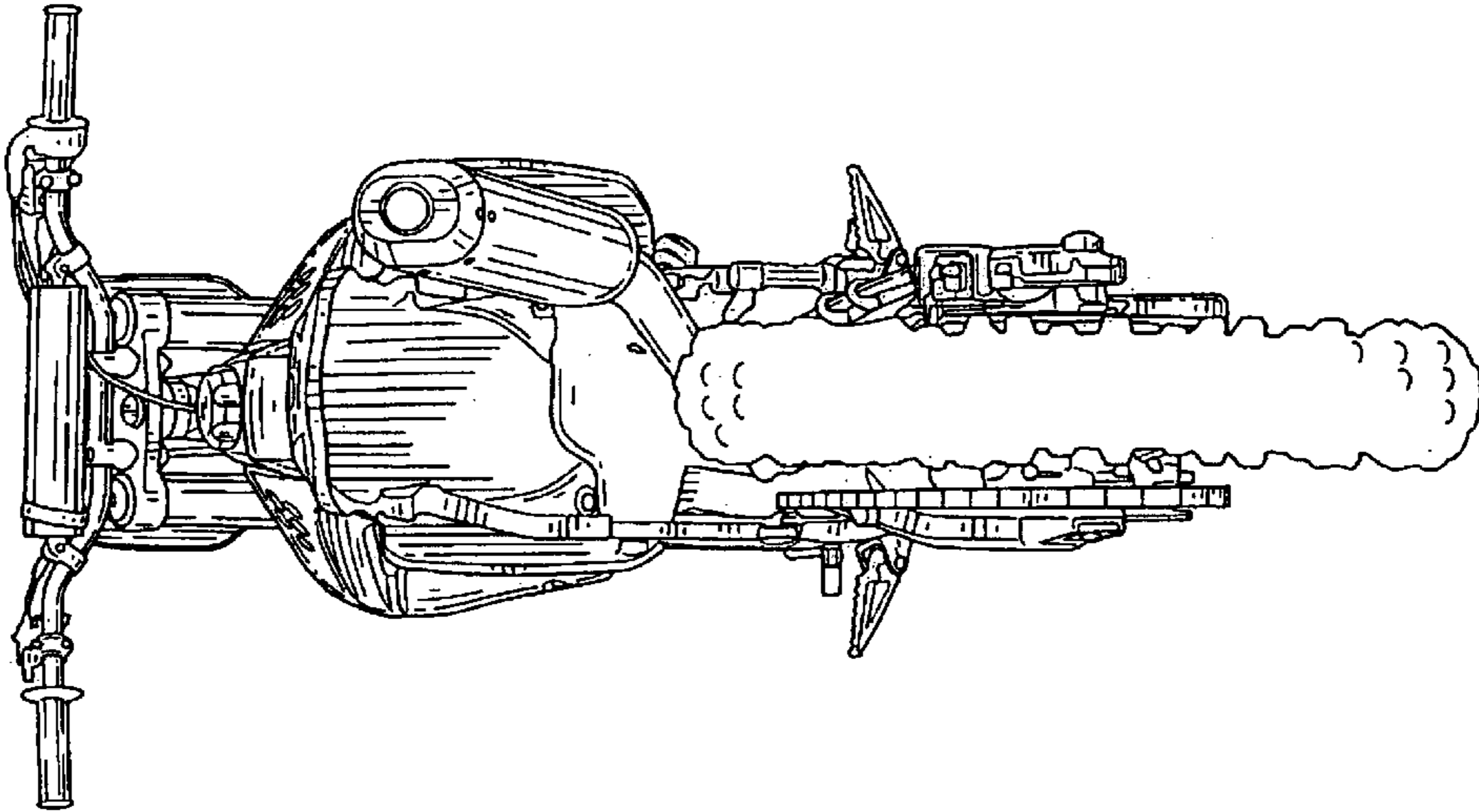


Fig. 6

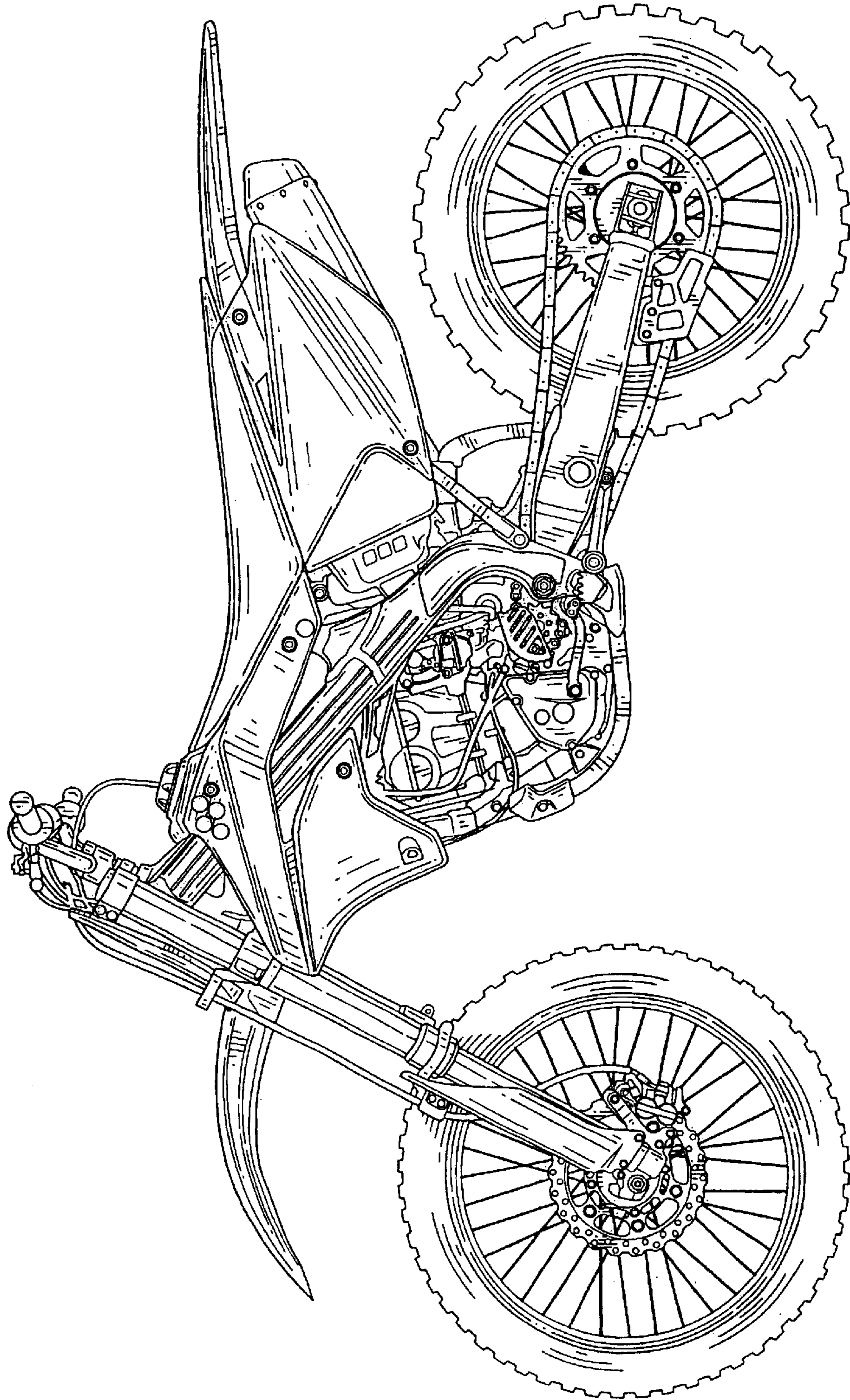


Fig. 7

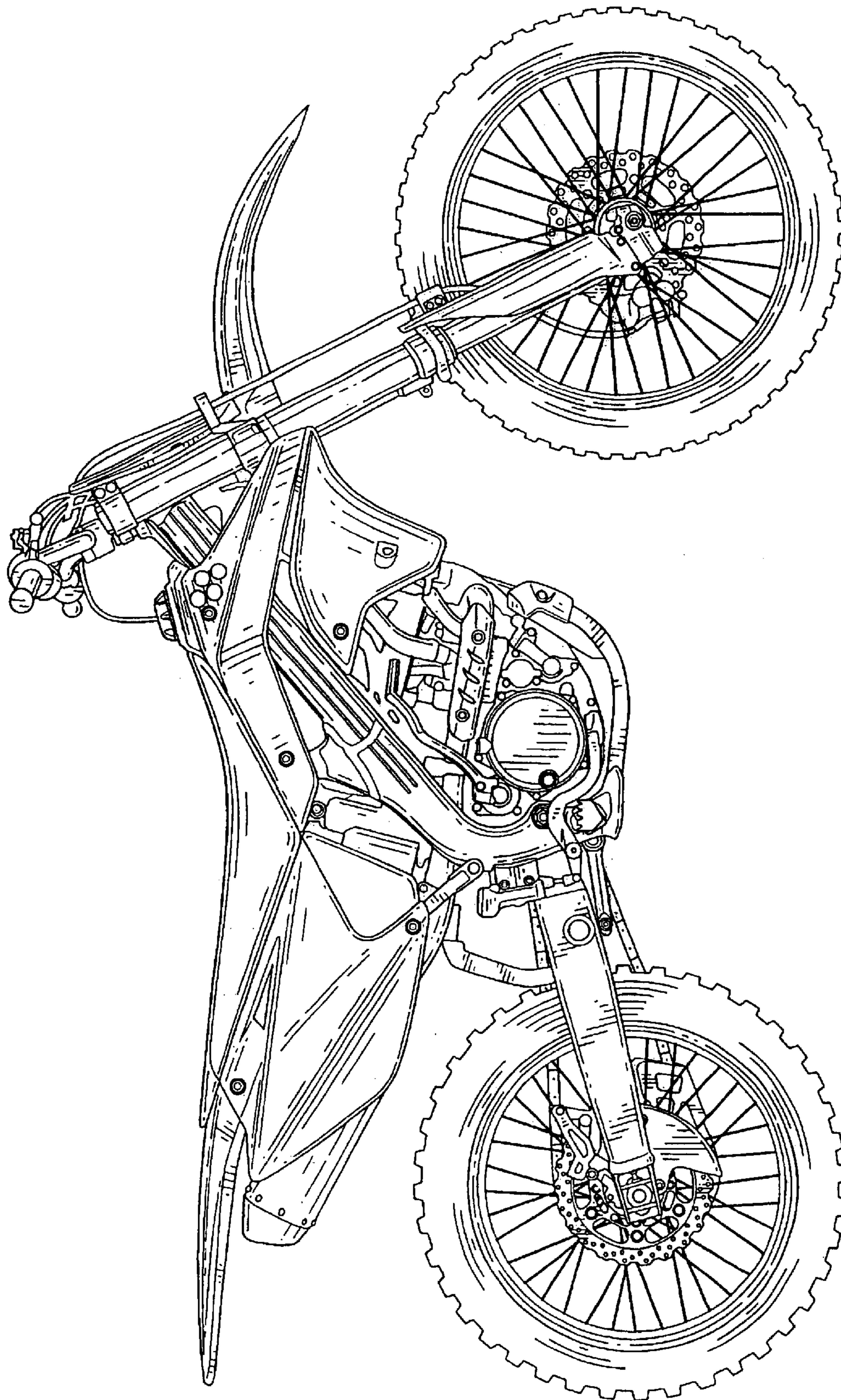


Fig. 8

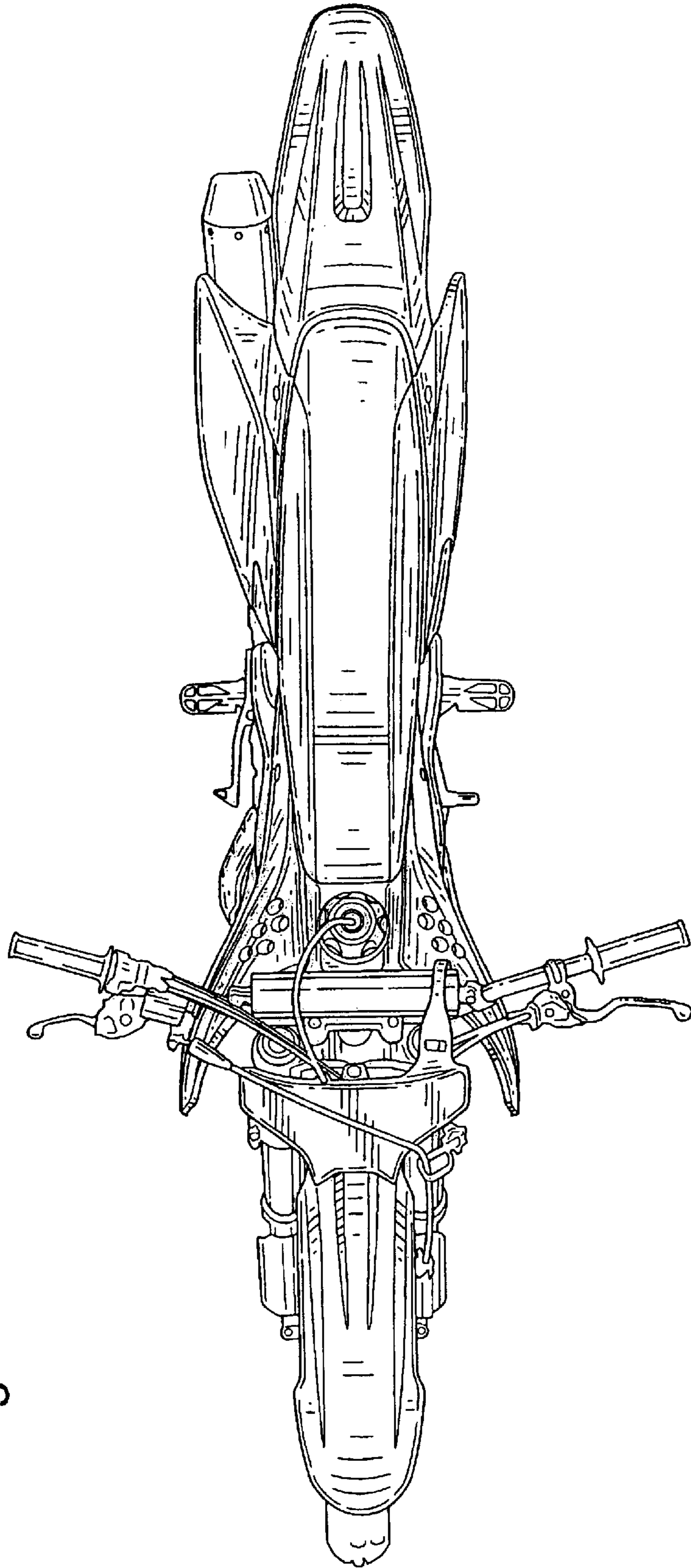


Fig. 9

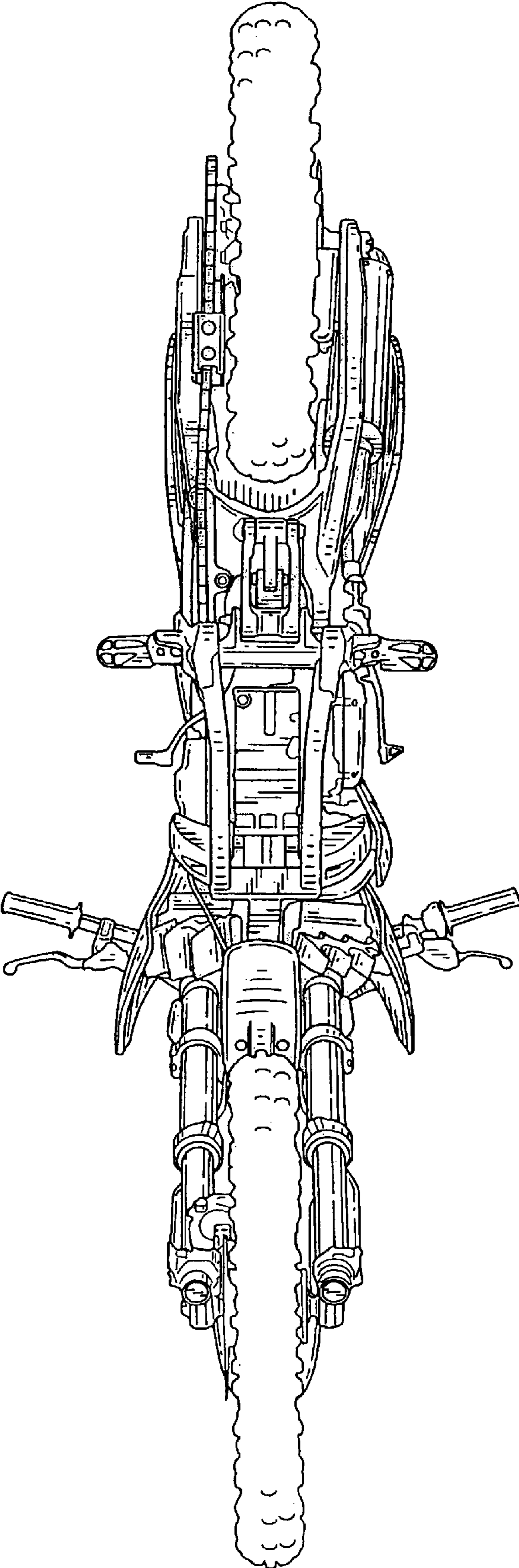


Fig. 10

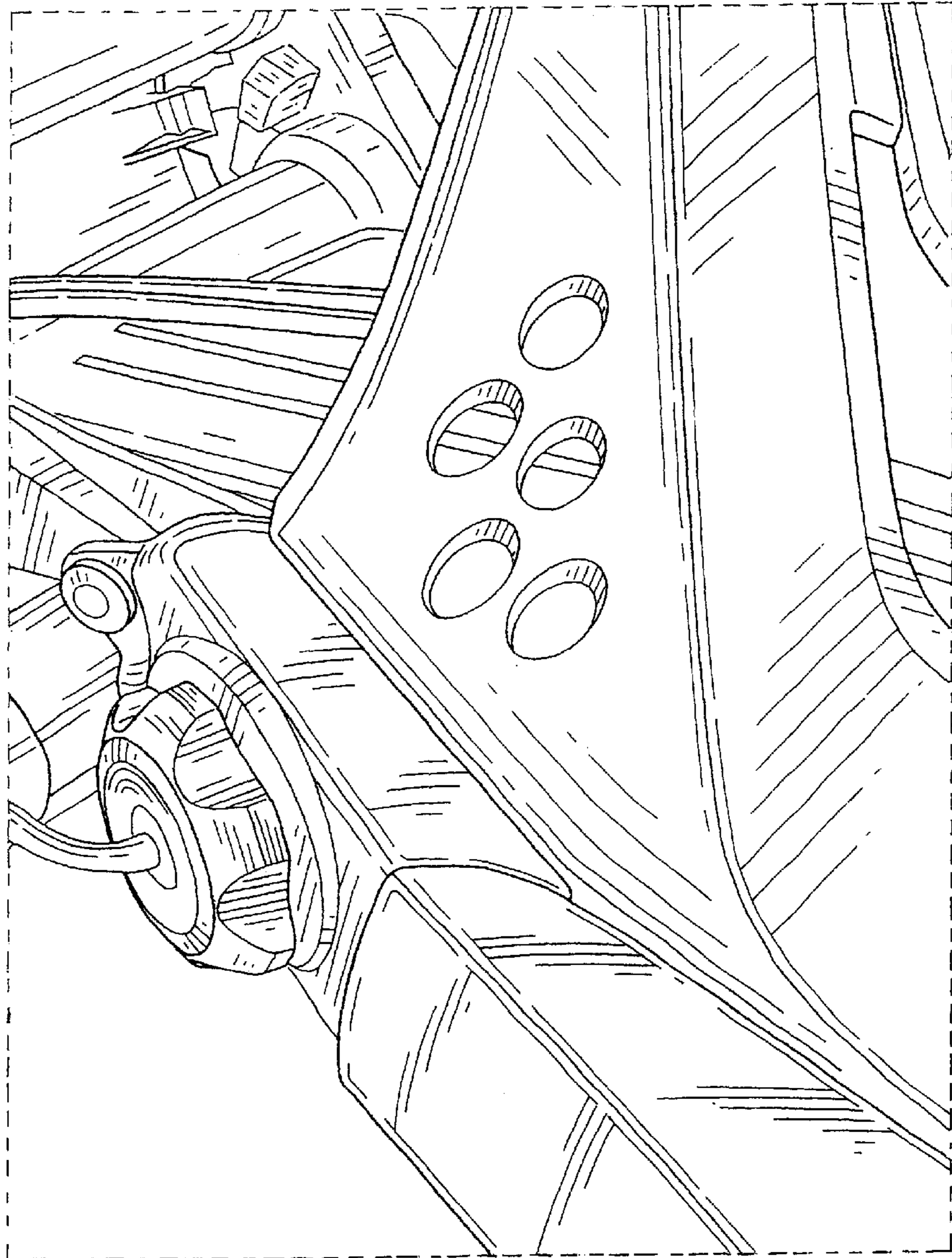


Fig. 11