



US00D526248S

(12) **United States Design Patent**
Stidham et al.

(10) **Patent No.:** **US D526,248 S**

(45) **Date of Patent:** **** Aug. 8, 2006**

(54) **INTERLOCKING CHanneled TRAILER
SIDE PANEL**

(75) Inventors: **Brian Stidham**, Chickasha, OK (US);
Robbie Stidham, Chickasha, OK (US)

(73) Assignee: **Stidham Brothers Manufacturing,
Inc.**, Chickasha, OK (US)

(**) Term: **14 Years**

(21) Appl. No.: **29/209,364**

(22) Filed: **Jul. 14, 2004**

(51) **LOC (8) Cl.** **12-16**

(52) **U.S. Cl.** **D12/106; D25/138**

(58) **Field of Classification Search** D12/106,
D12/101; D25/138-141, 119, 164; 52/574,
52/579, 580, 578, 588.1, 590.1, 590.2
See application file for complete search history.

(56) **References Cited**

U.S. PATENT DOCUMENTS

1,913,342 A	6/1933	Schaffert
3,043,407 A	7/1962	Marryatt
3,110,371 A	11/1963	Ridder
D216,480 S	1/1970	Wilson
5,052,741 A	10/1991	Brown
5,526,622 A	6/1996	Augustine
5,613,726 A	3/1997	Hobbs
D410,868 S	6/1999	Hall, Jr.
D430,069 S	8/2000	Collie, Jr.

6,224,142 B1	5/2001	McCormack
D448,865 S	* 10/2001	Manning D25/141
D471,292 S	* 3/2003	Barber D25/141
D473,664 S	* 4/2003	Perkins et al. D25/138
6,652,018 B1	11/2003	Buchholz
D485,373 S	* 1/2004	Morton et al. D25/138
D487,316 S	* 3/2004	Suwanda et al. D25/138
D504,526 S	* 4/2005	Perkins et al. D25/138

* cited by examiner

Primary Examiner—Melody N. Brown

(74) *Attorney, Agent, or Firm*—Randal D. Homburg

(57) **CLAIM**

The ornamental design for an interlocking channeled trailer side panel, as shown and described.

DESCRIPTION

FIG. 1 is a front view of an interlocking channeled trailer side panel showing our new design.

FIG. 2 is a rear view of the side panel.

FIG. 3 is a right side view of the side panel indicating an upper interlocking channel.

FIG. 4 is a left side view of the side panel indicating a lower interlocking channel.

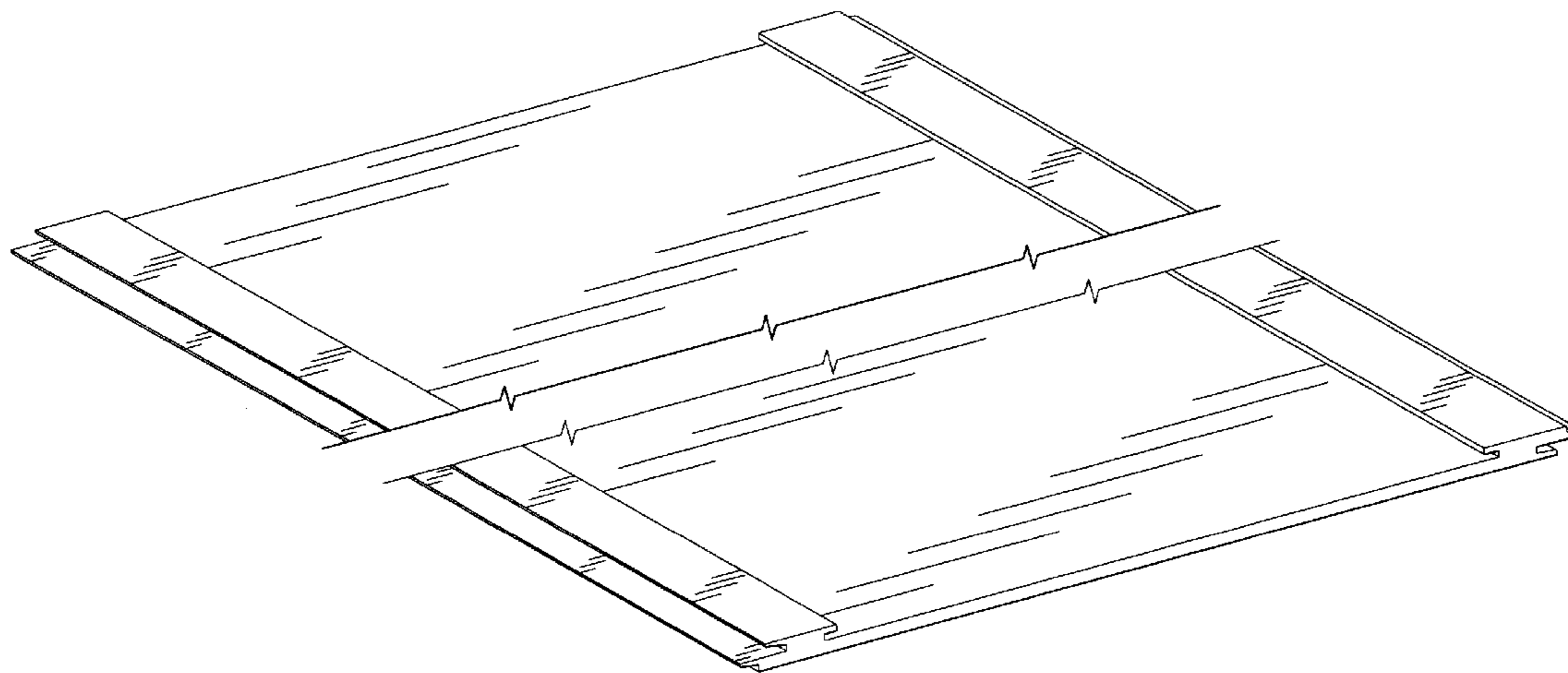
FIG. 5 is a top view of the side panel.

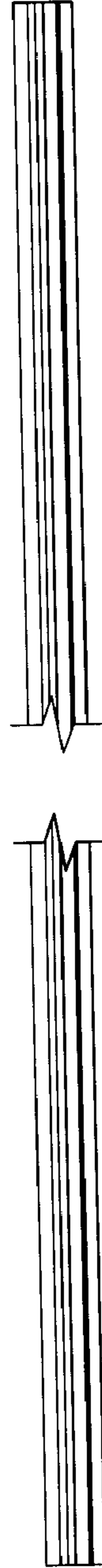
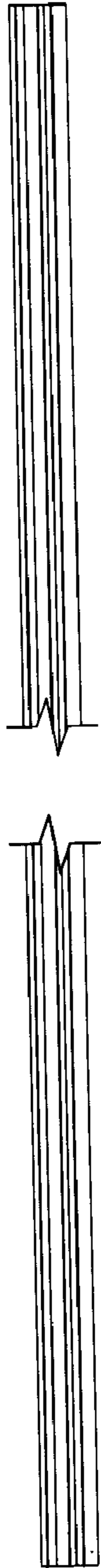
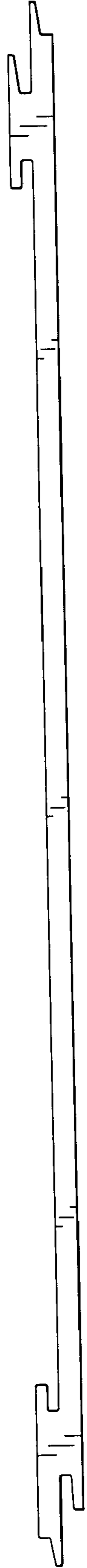
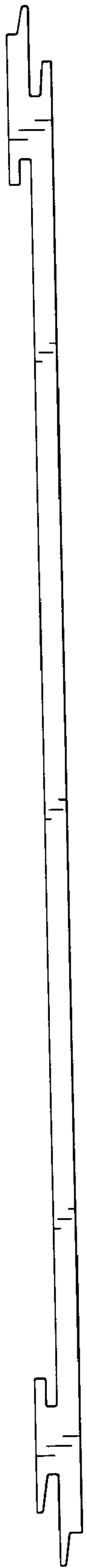
FIG. 6 is a bottom view of the side panel; and,

FIG. 7 is an upper front perspective view of an interlocking channeled trailer side panel showing our new design.

The panels are shown broken away in the middle in FIGS. 3-7 to indicate indeterminate length.

1 Claim, 4 Drawing Sheets





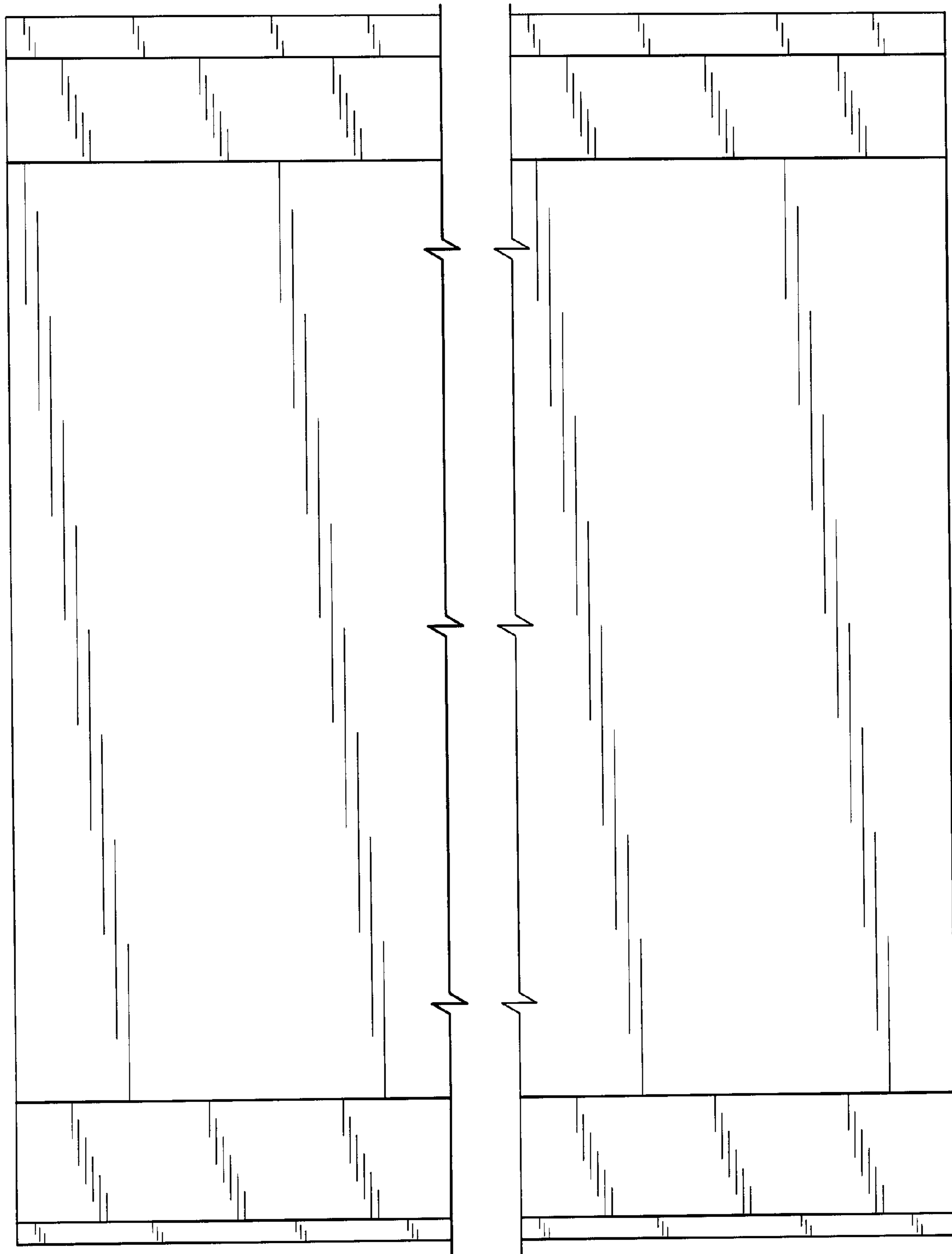
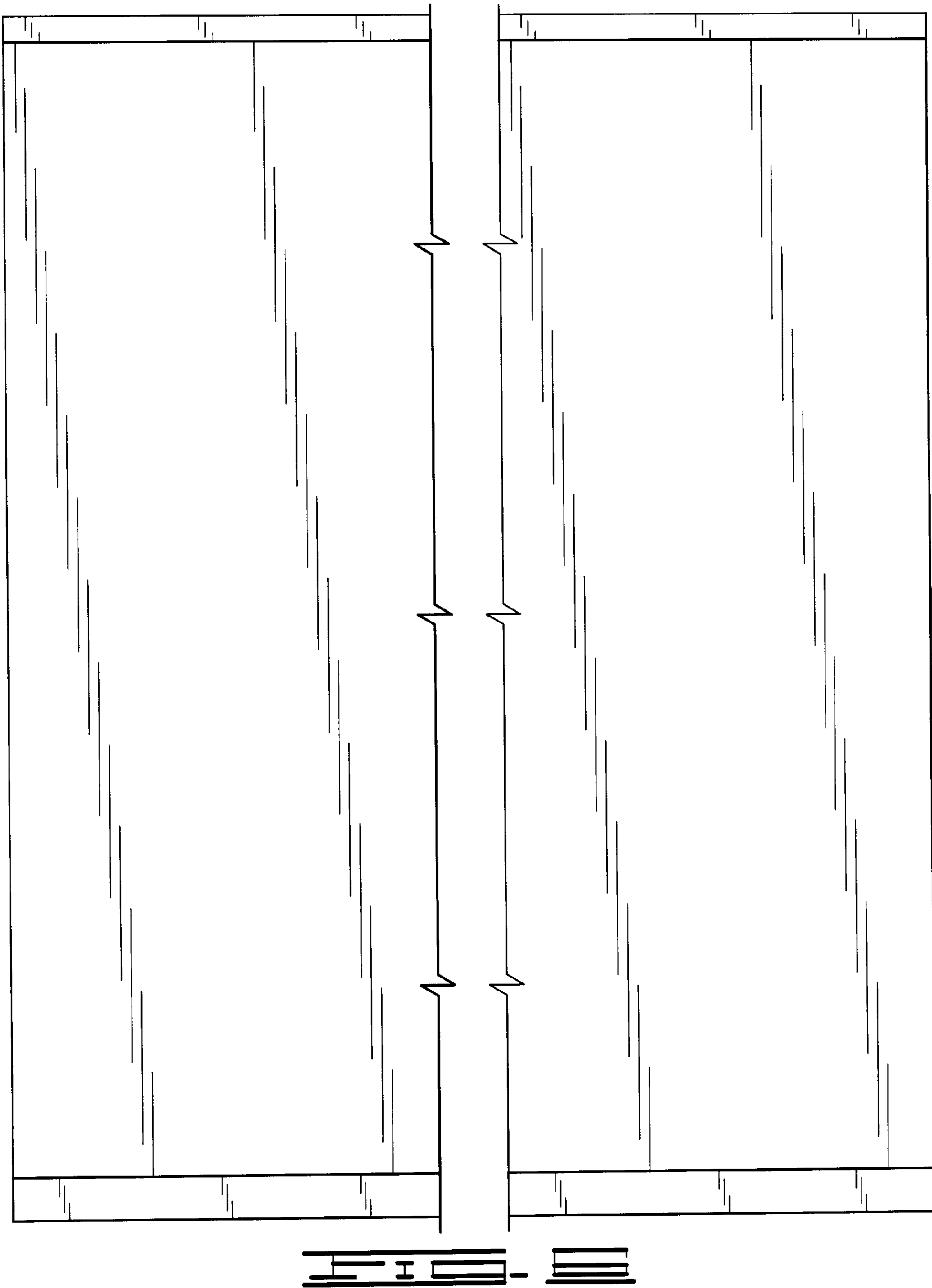


FIG. 3



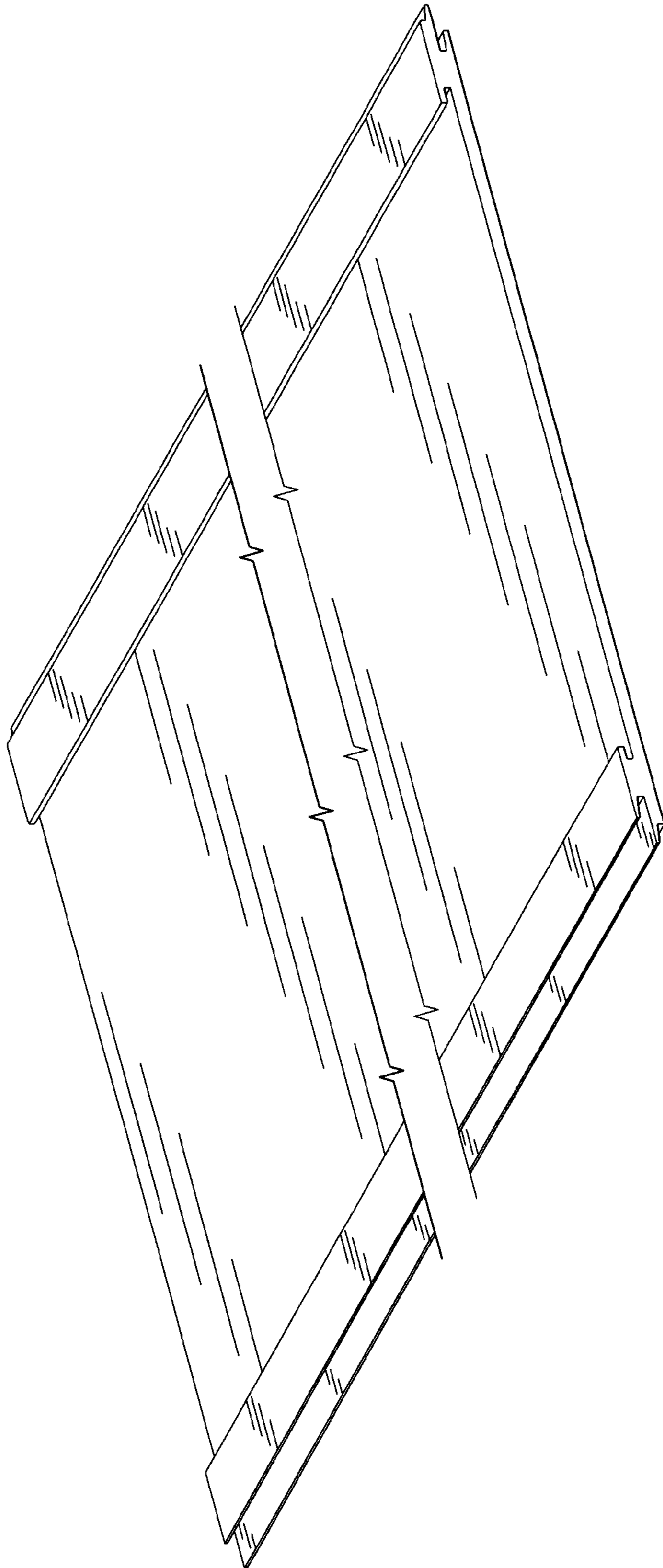


FIG. 4