



US00D526247S

(12) **United States Design Patent**
White

(10) **Patent No.:** **US D526,247 S**

(45) **Date of Patent:** **** Aug. 8, 2006**

(54) **PICKUP TRUCK**

D509,772 S * 9/2005 Hattori et al. D12/98

(76) Inventor: **Leron J. White**, 1100 Crull Dr. Apt.
1C, Charleston, SC (US) 29407

* cited by examiner

(**) Term: **14 Years**

Primary Examiner—Melody N. Brown
(74) *Attorney, Agent, or Firm*—Goldizen & Associates;
Bradley D. Goldizen

(21) Appl. No.: **29/234,605**

(57) **CLAIM**

(22) Filed: **Jul. 20, 2005**

I claim the ornamental design for a pickup truck, as shown
and described.

(51) **LOC (8) Cl.** **12-08**

(52) **U.S. Cl.** **D12/98**

(58) **Field of Classification Search** D12/98,
D12/93; 296/181.2, 181.3

See application file for complete search history.

DESCRIPTION

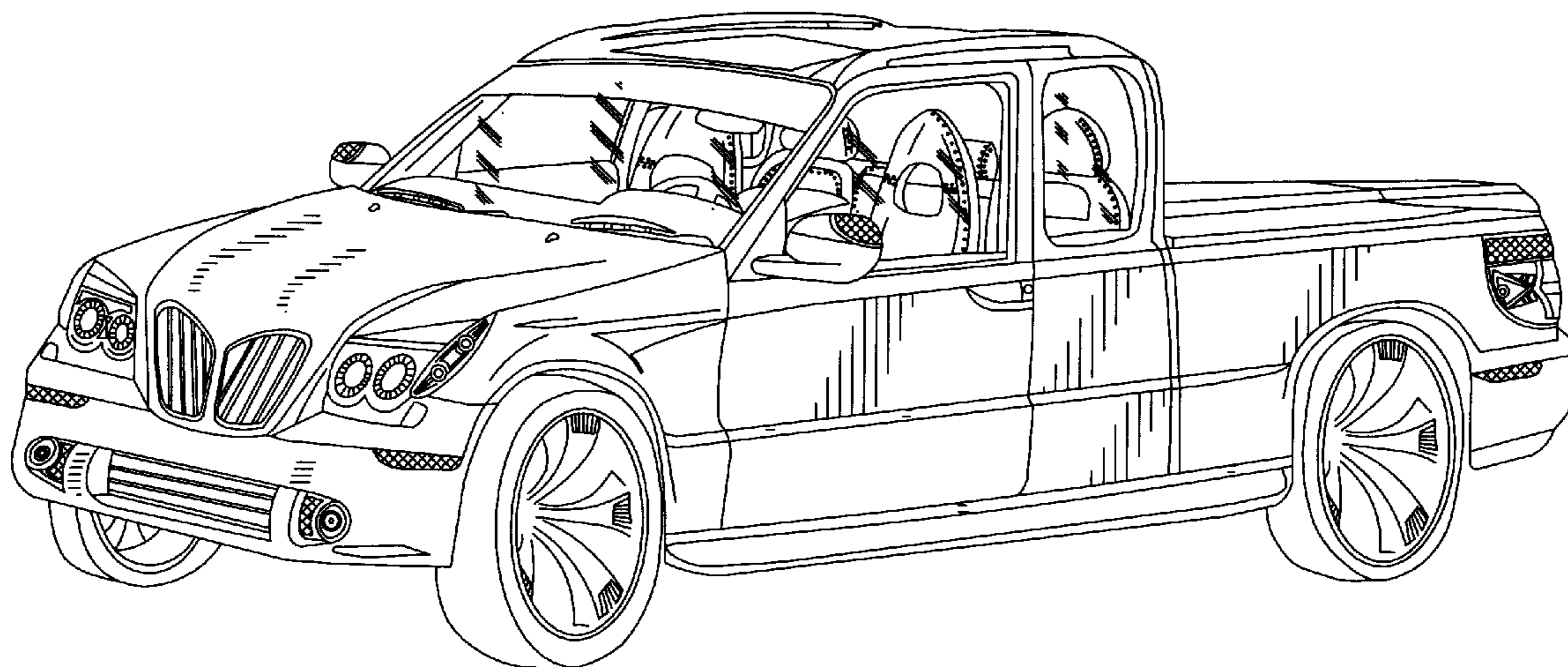
FIG. 1 is a left side view of the pickup truck.
FIG. 2 is a right side view of the pickup truck.
FIG. 3 is a back perspective view of the pickup truck.
FIG. 4 is a front perspective view of the pickup truck.
FIG. 5 is a top view of the pickup truck; and,
FIG. 6 is a front view of the pickup truck.
The application is directed to a pickup truck. The bottom
view of the pickup truck is not a part of the claimed design.

(56) **References Cited**

U.S. PATENT DOCUMENTS

- D409,525 S * 5/1999 Hanson D12/98
- D488,405 S * 4/2004 Metros et al. D12/98
- D503,659 S * 4/2005 Matsumoto et al. D12/98
- D504,357 S * 4/2005 Aneiros et al. D12/98

1 Claim, 6 Drawing Sheets



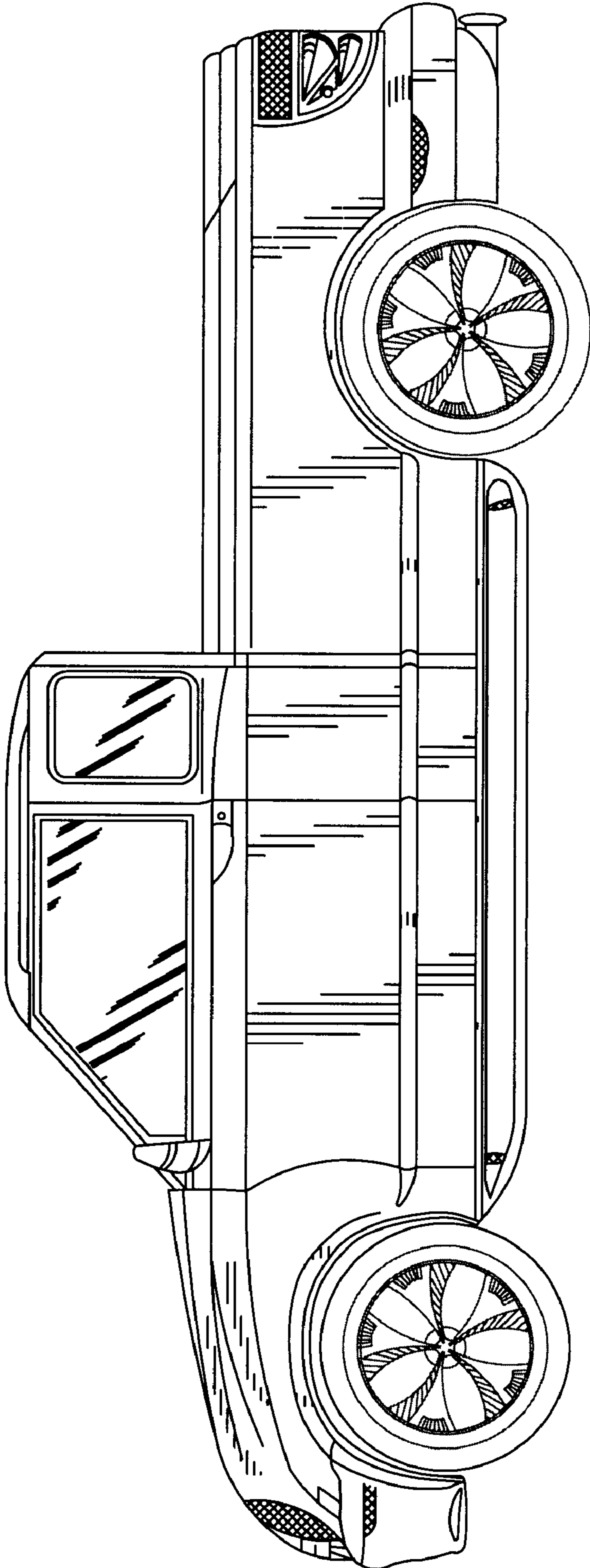


Figure 1

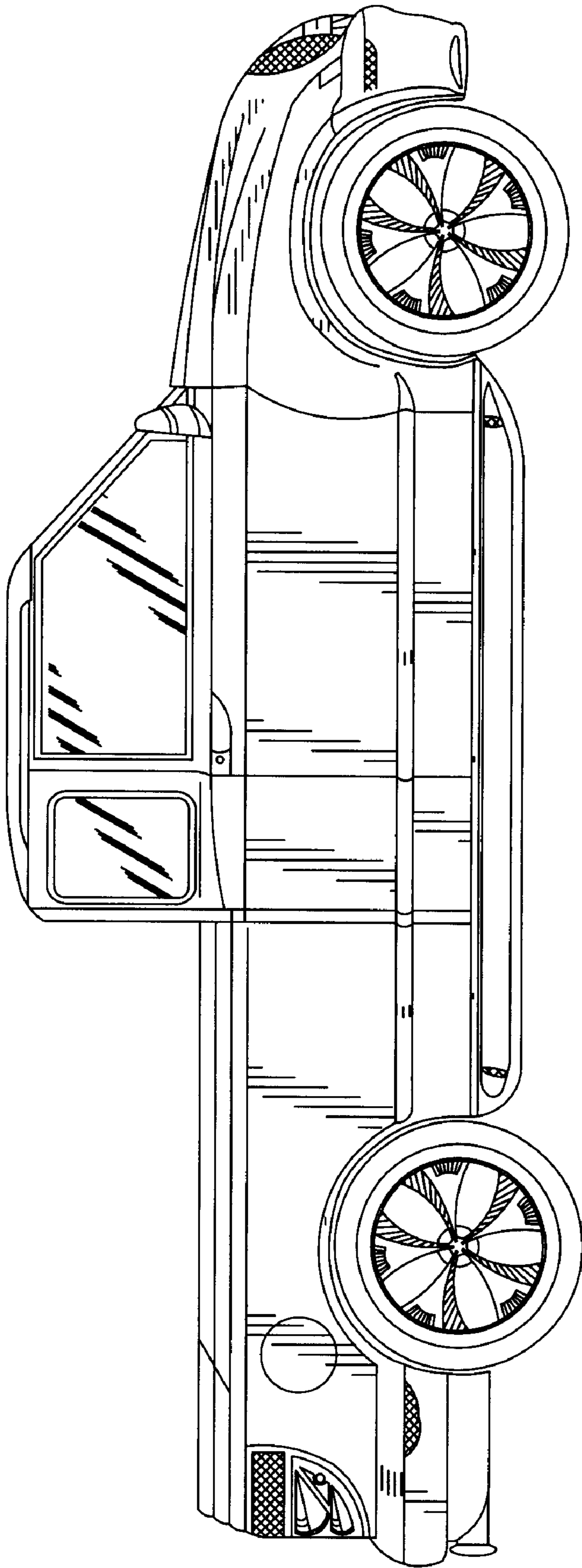


FIGURE 2

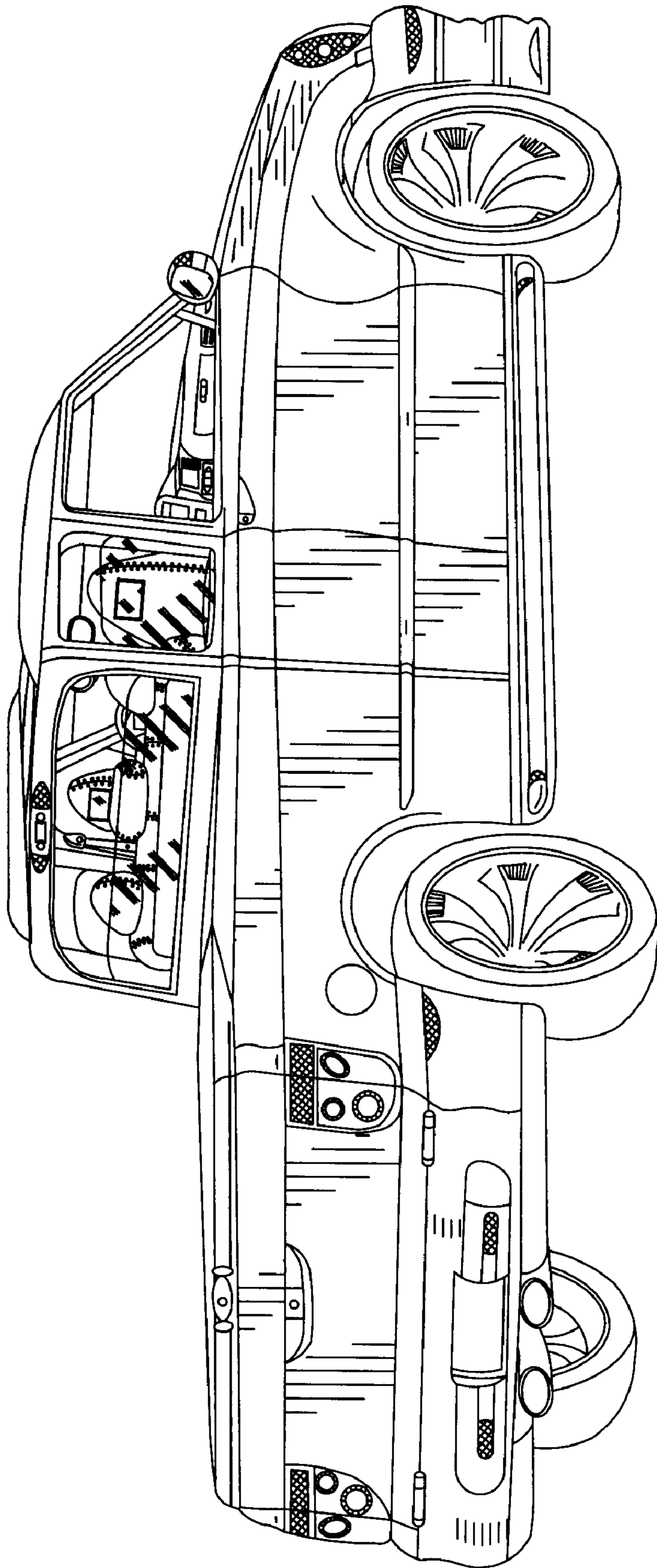


FIGURE 3



FIGURE 4

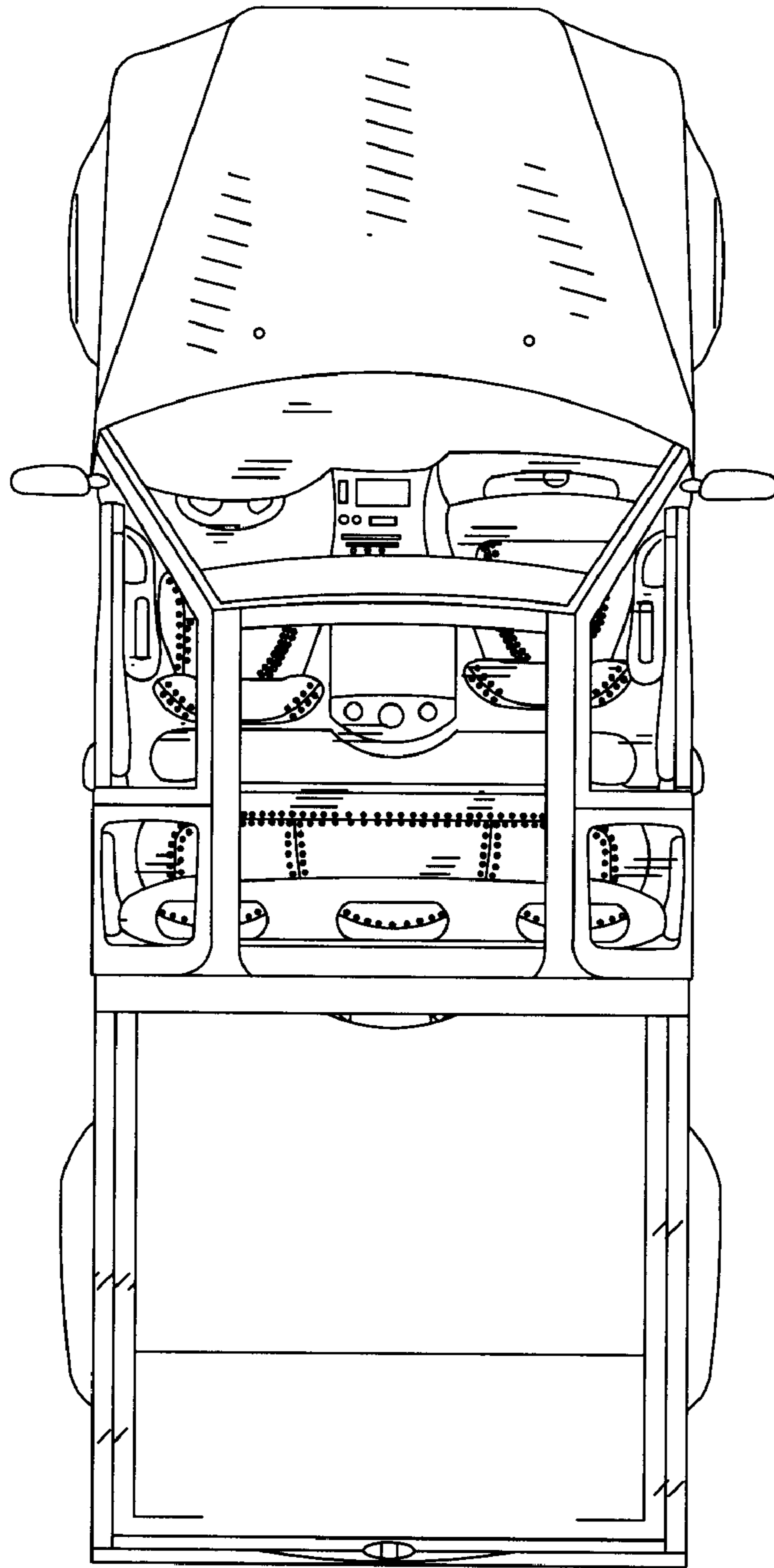


Figure 5

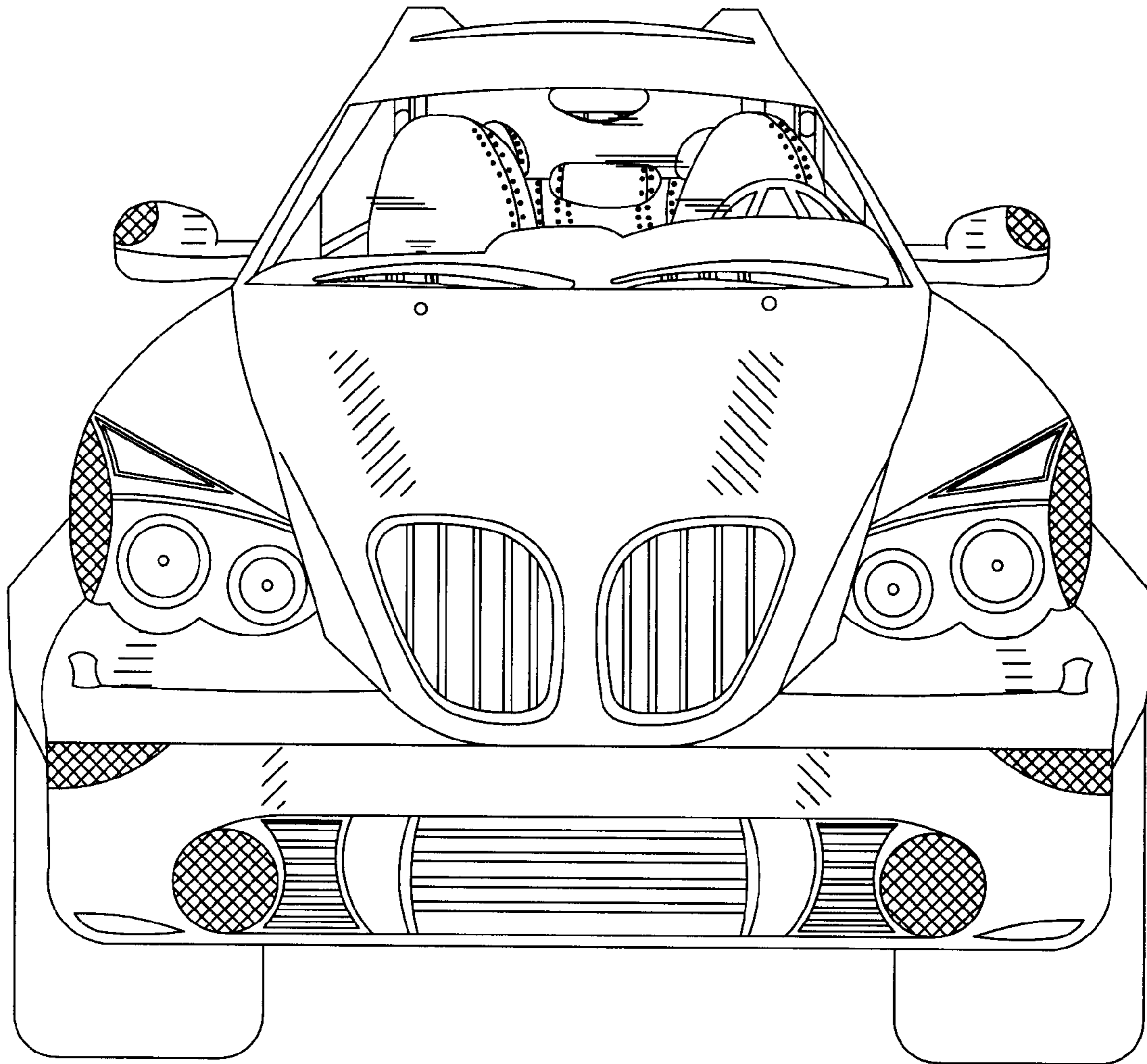


Figure 6