



US00D526243S

(12) **United States Design Patent**
Gut et al.

(10) **Patent No.:** **US D526,243 S**

(45) **Date of Patent:** **** Aug. 8, 2006**

(54) **PULL TAB FOR A SLIDE FASTENER**

2,157,381 A * 5/1939 Carlile 24/388
2,168,598 A * 8/1939 Banning 24/413

(75) Inventors: **Michelle Gut**, New York, NY (US);
Kurt Lester, Middletown, NJ (US)

* cited by examiner

(73) Assignee: **Ideal Fastener Corporation**, Oxford,
NC (US)

Primary Examiner—Ralf Seifert
(74) *Attorney, Agent, or Firm*—Kennedy Covington
Lobdell & Hickman, LLP

(**) Term: **14 Years**

(57) **CLAIM**

(21) Appl. No.: **29/223,059**

We claim the ornamental design for a pull tab for a slide fastener, as shown and described herein.

(22) Filed: **Feb. 8, 2005**

DESCRIPTION

(51) **LOC (8) Cl.** **02-07**

(52) **U.S. Cl.** **D11/221**

(58) **Field of Classification Search** D11/200,
D11/201, 221; 24/415–417, 419, 421, 427–431,
24/381–382, 385, 387, 433, 434; 384/64
See application file for complete search history.

FIG. 1 is a front view illustrating the pull tab for a slide fastener;

FIG. 2 is a bottom view of the pull tab;

FIG. 3 is a top view of the pull tab;

FIG. 4 is a right side view of the pull tab;

FIG. 5 is a left side view of the pull tab;

FIG. 6 is a right side section view of the pull tab taken along line 6—6 of FIG. 1; and,

FIG. 7 is a front view showing the pull tab of FIG. 1 in connection with a slide fastener slider body for illustrative purposes only and forms no part of the claimed design.

(56) **References Cited**

U.S. PATENT DOCUMENTS

2,008,062 A * 7/1935 Corner 24/411
D98,556 S * 2/1936 Walker D11/221
2,098,338 A * 11/1937 Gilmore 24/434
D109,344 S * 4/1938 Stevens D11/221

1 Claim, 2 Drawing Sheets

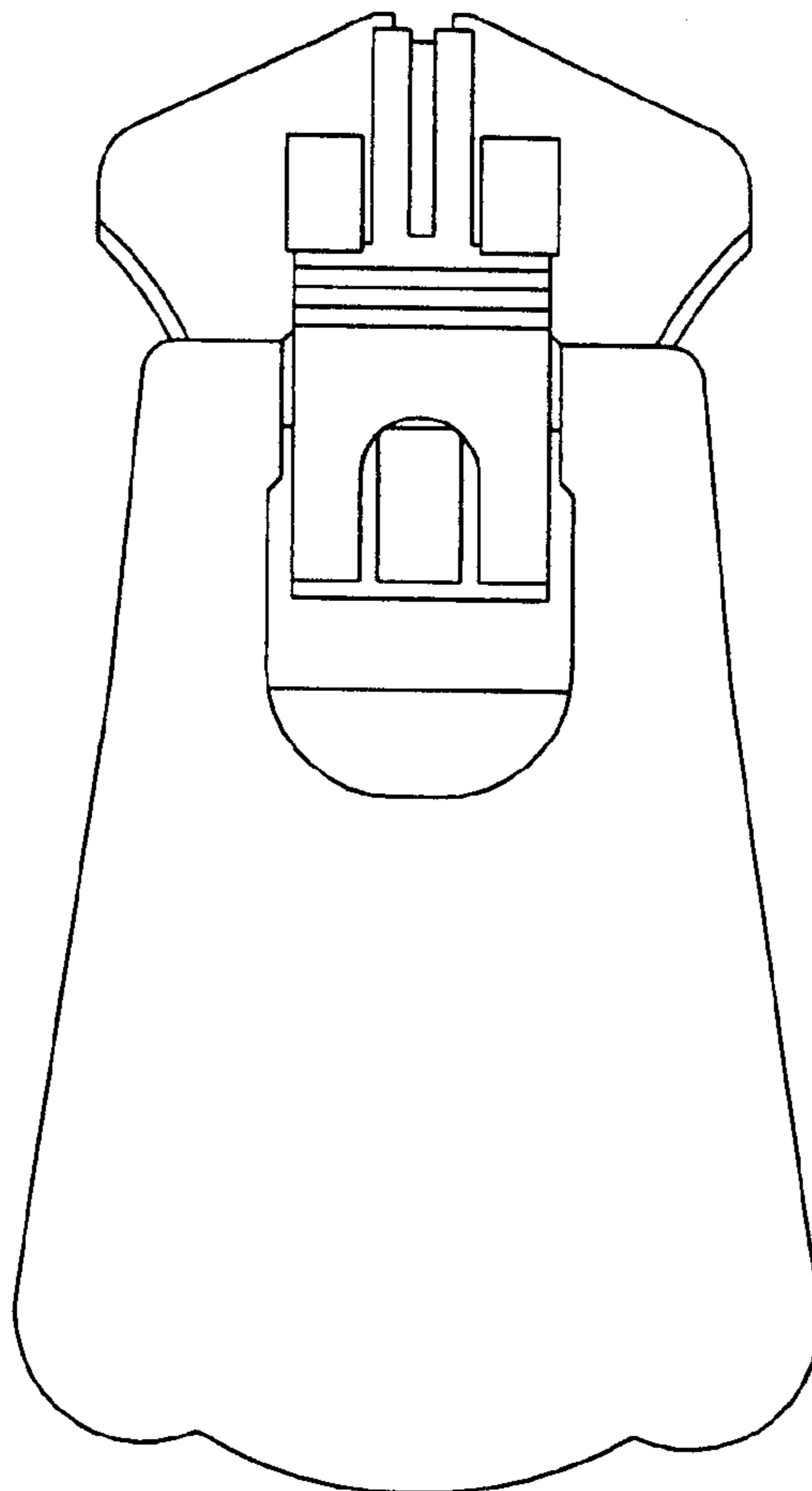




Fig. 3

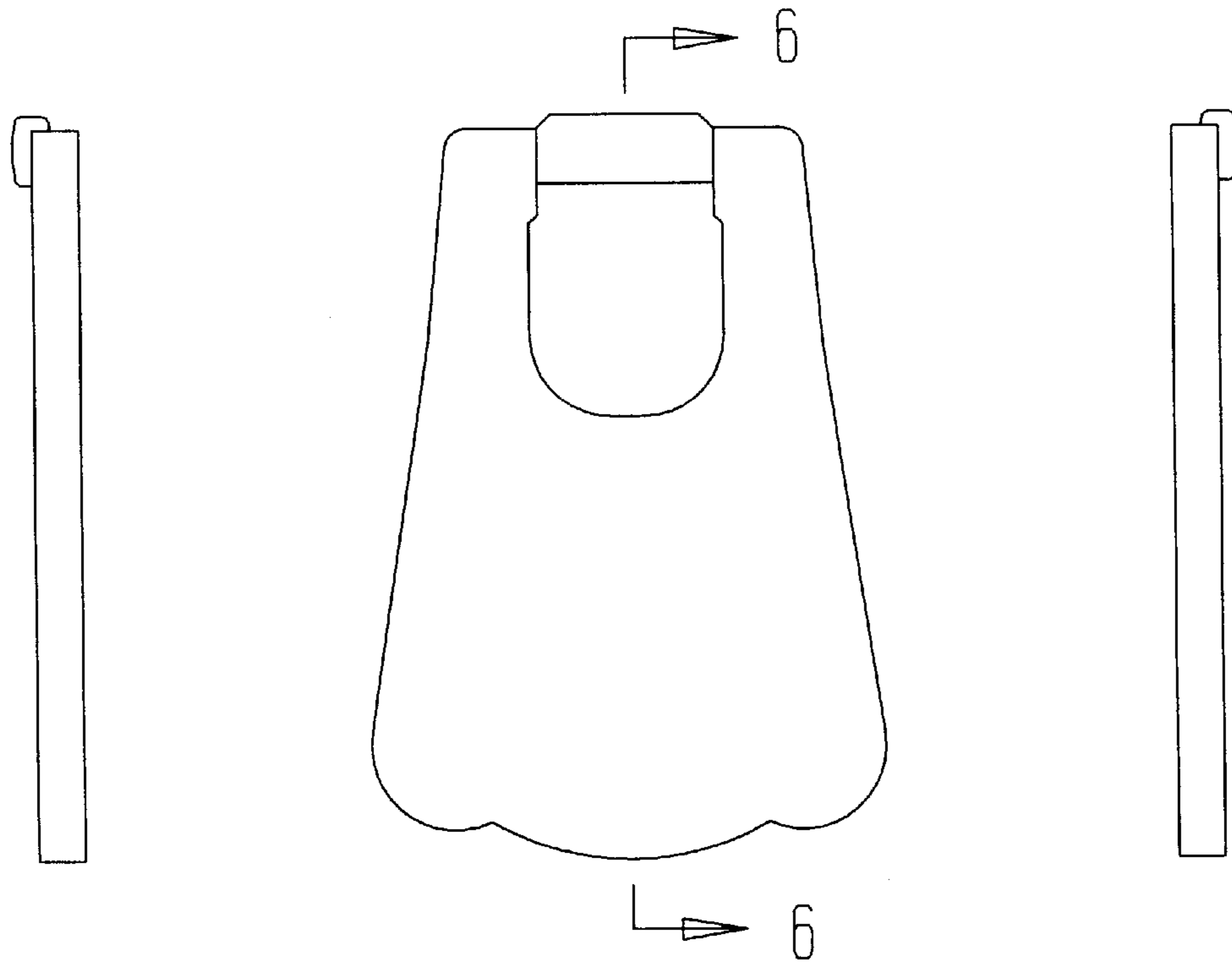


Fig. 1



Fig. 5

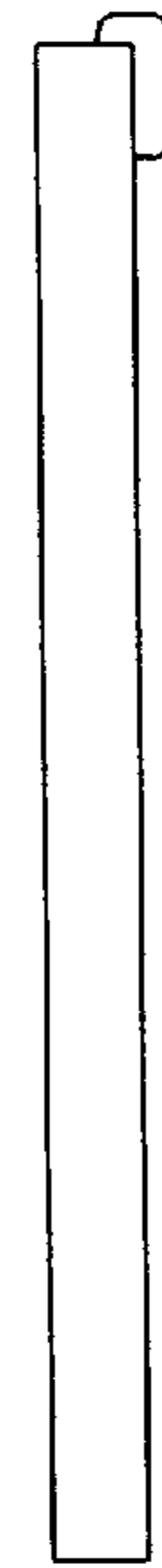


Fig. 4

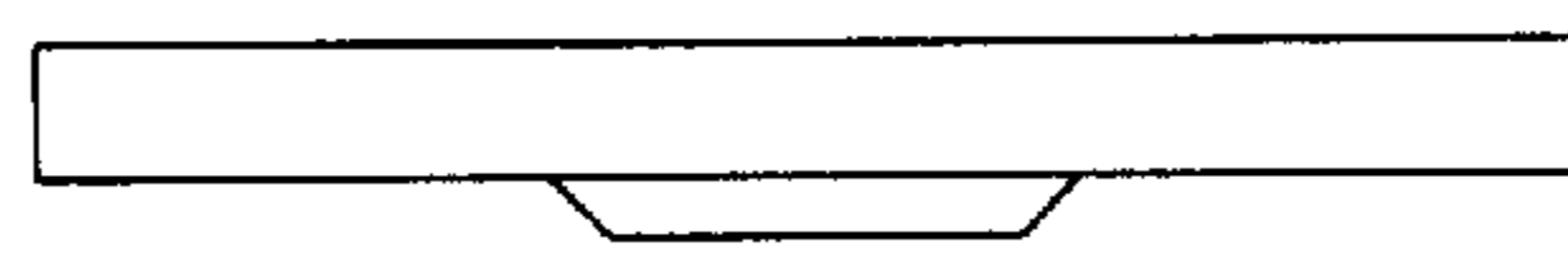


Fig. 2

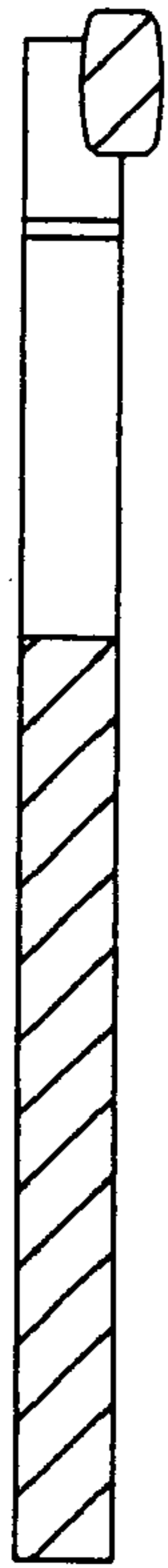


Fig. 6

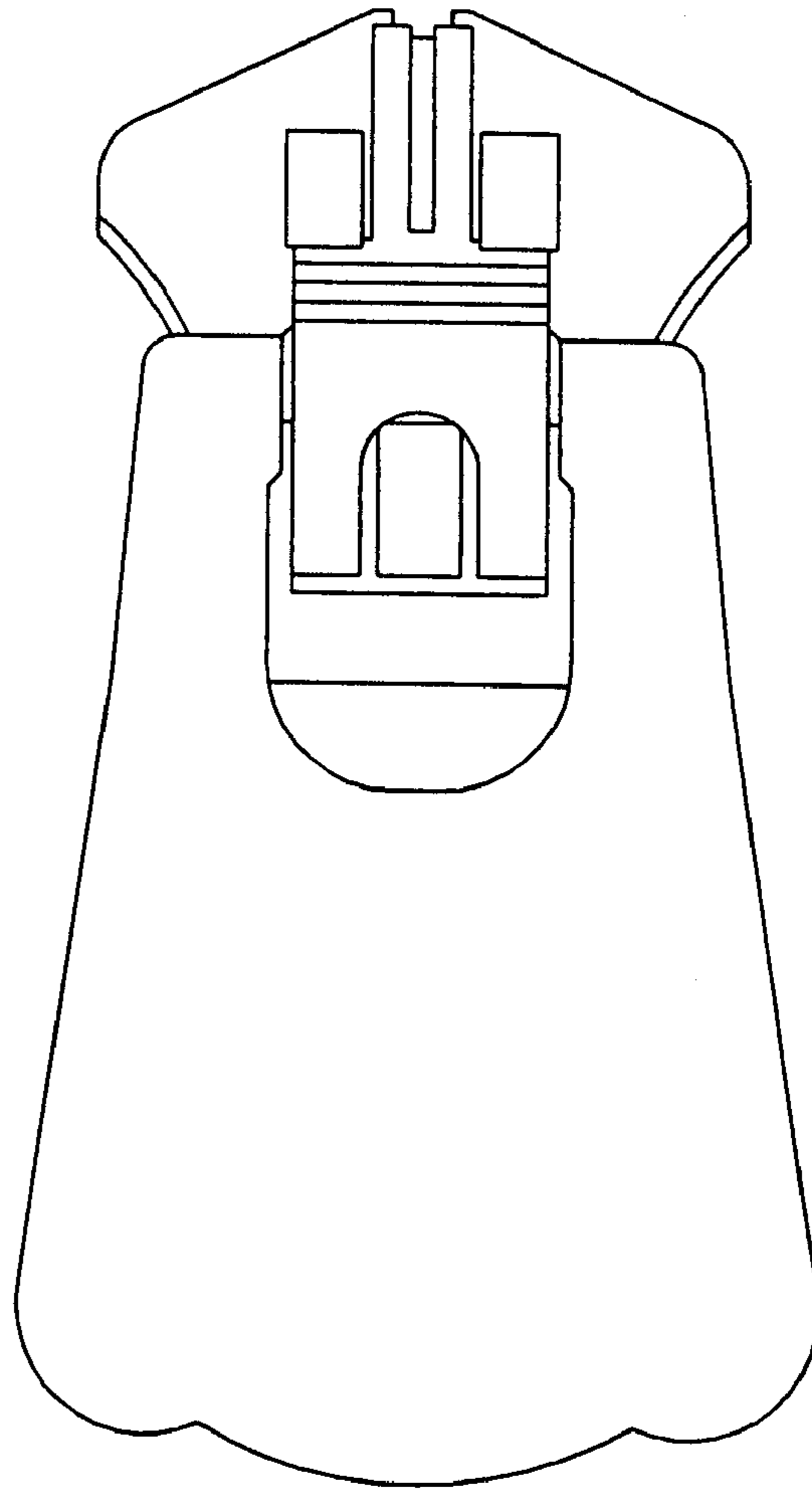


Fig. 7