

US00D526226S

(12) **United States Design Patent**  
**Copeland et al.**

(10) **Patent No.:** **US D526,226 S**

(45) **Date of Patent:** **\*\* Aug. 8, 2006**

(54) **FOOT SCANNER**

6,163,971 A \* 12/2000 Humphries et al. .... 33/515

(75) Inventors: **David John Copeland**, Milton, MA  
(US); **Daniel P. Smith**, Portsmouth, RI  
(US); **Justin W. Sirotin**, Providence, RI  
(US)

\* cited by examiner

*Primary Examiner*—Antoine D. Davis

(73) Assignee: **Acushnet Company**, Fairhaven, MA  
(US)

(57) **CLAIM**

The ornamental design for a foot scanner, as shown and described.

(\*\*) Term: **14 Years**

**DESCRIPTION**

(21) Appl. No.: **29/214,712**

FIG. 1 is a perspective view of the foot scanner according to our new design;

(22) Filed: **Oct. 6, 2004**

FIG. 2 is a left side view thereof;

(51) **LOC (8) Cl.** ..... **10-04**

(52) **U.S. Cl.** ..... **D10/70**

(58) **Field of Classification Search** ..... D10/70;  
33/512–513; 356/601, 606–608, 614

FIG. 3 is a back side view thereof;

FIG. 4 is a front side view thereof;

FIG. 5 is a top view thereof; and,

FIG. 6 is a bottom view thereof.

See application file for complete search history.

Portions of the claimed design have been broken away and not shown for ease of illustration.

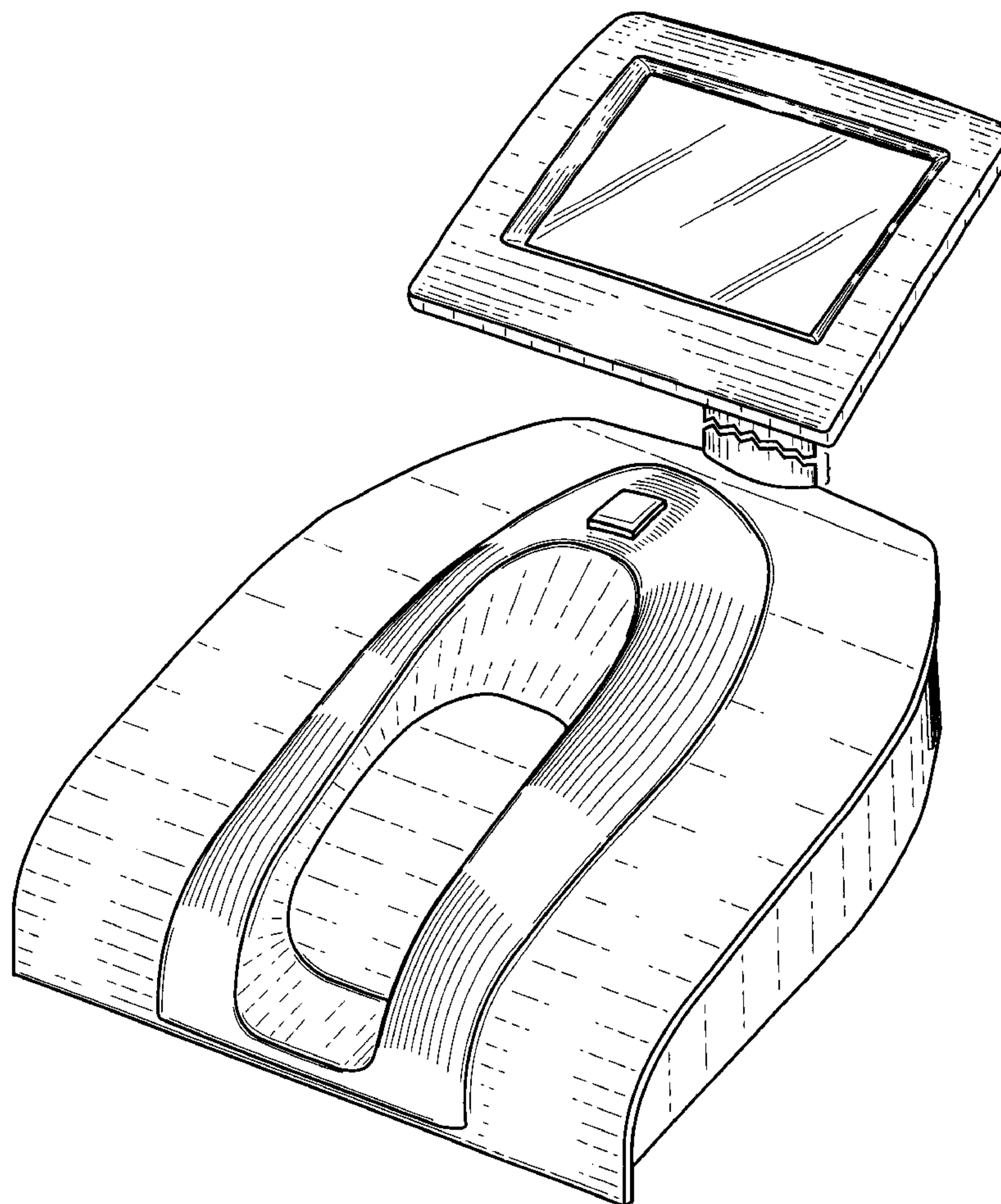
(56) **References Cited**

The right side of the foot scanner is a mirror image of the left side shown in FIG. 2.

**U.S. PATENT DOCUMENTS**

D376,325 S \* 12/1996 Blauch et al. .... D10/70

**1 Claim, 6 Drawing Sheets**



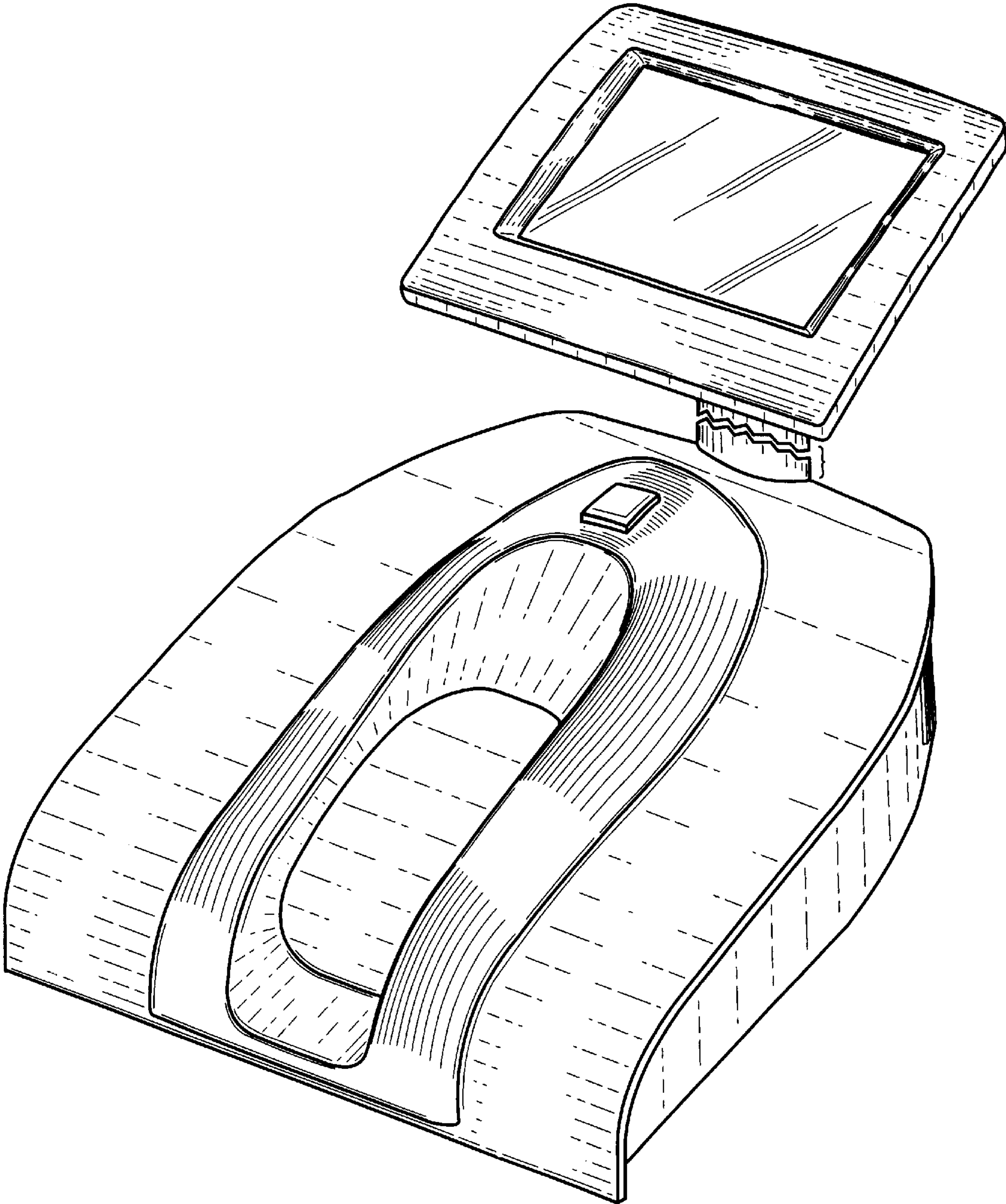


FIG. 1

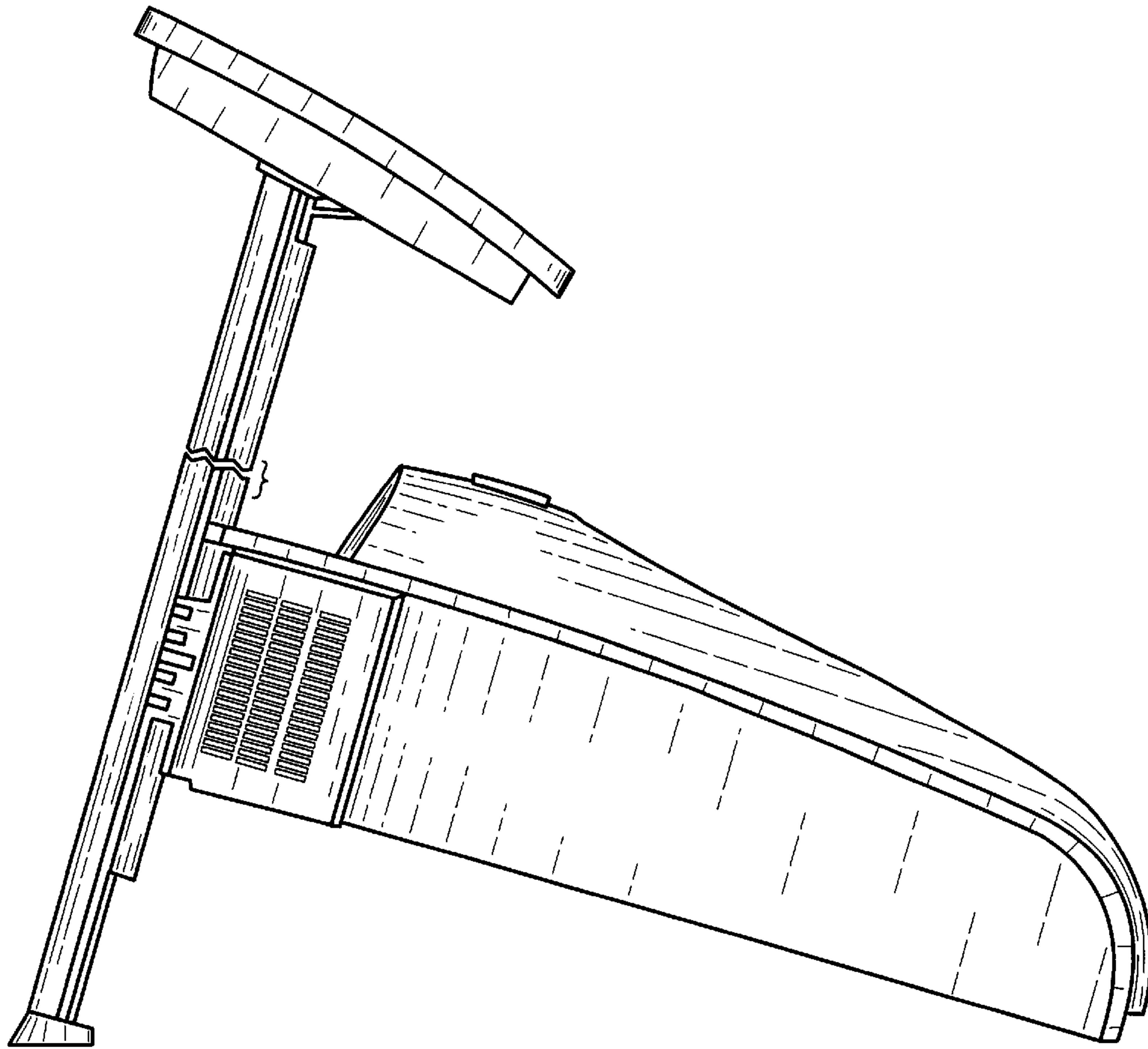


FIG. 2

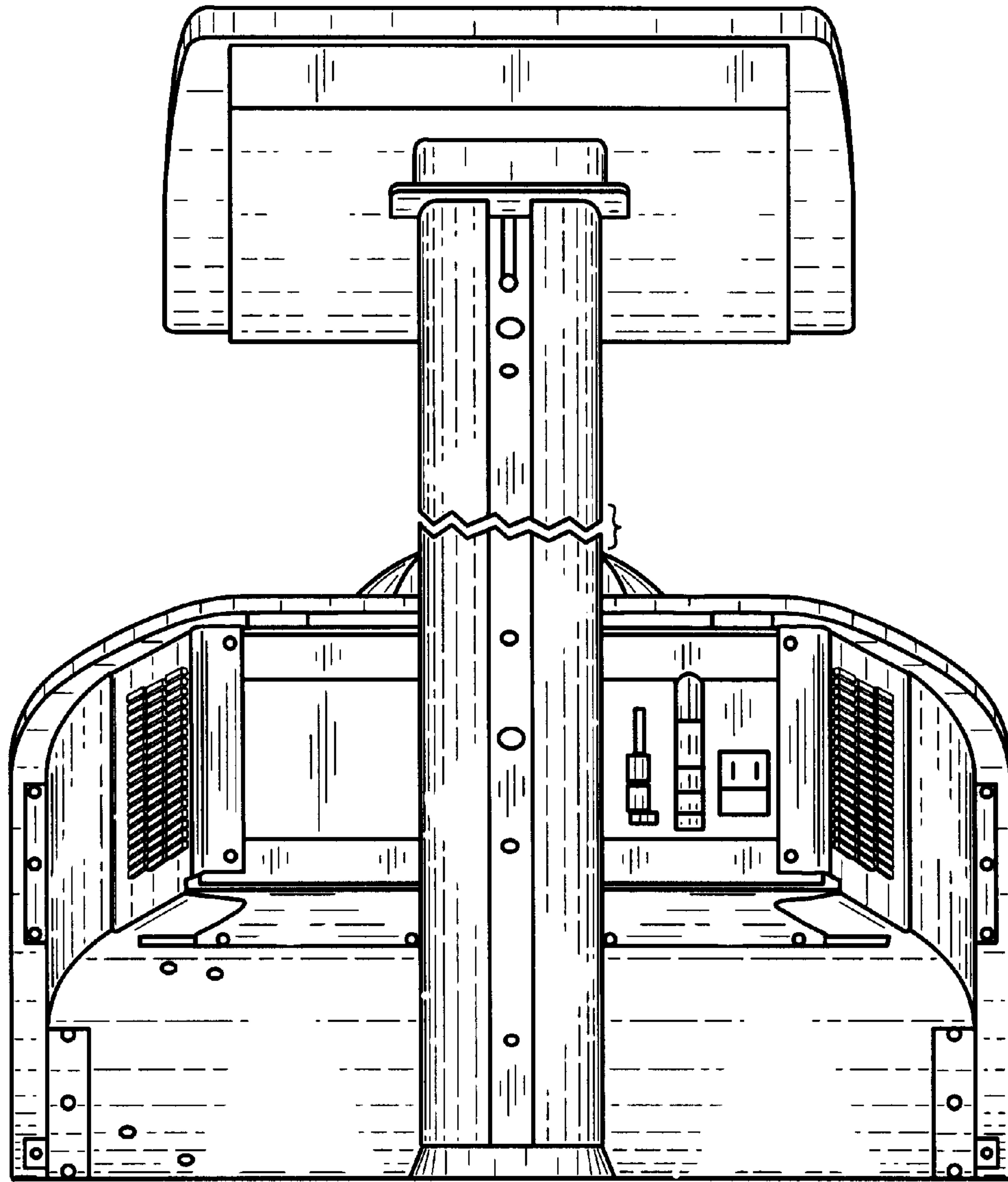


FIG. 3



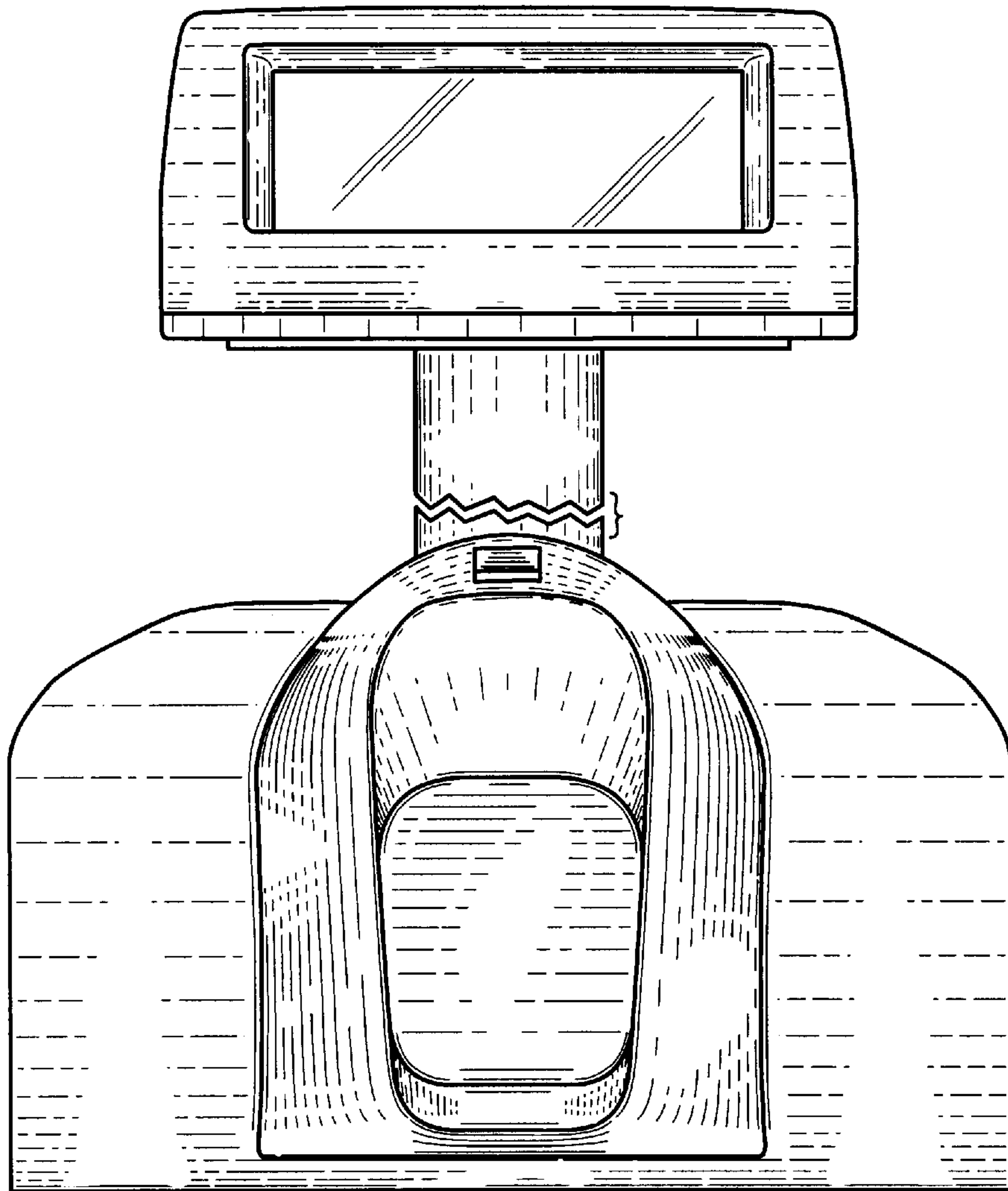


FIG. 4

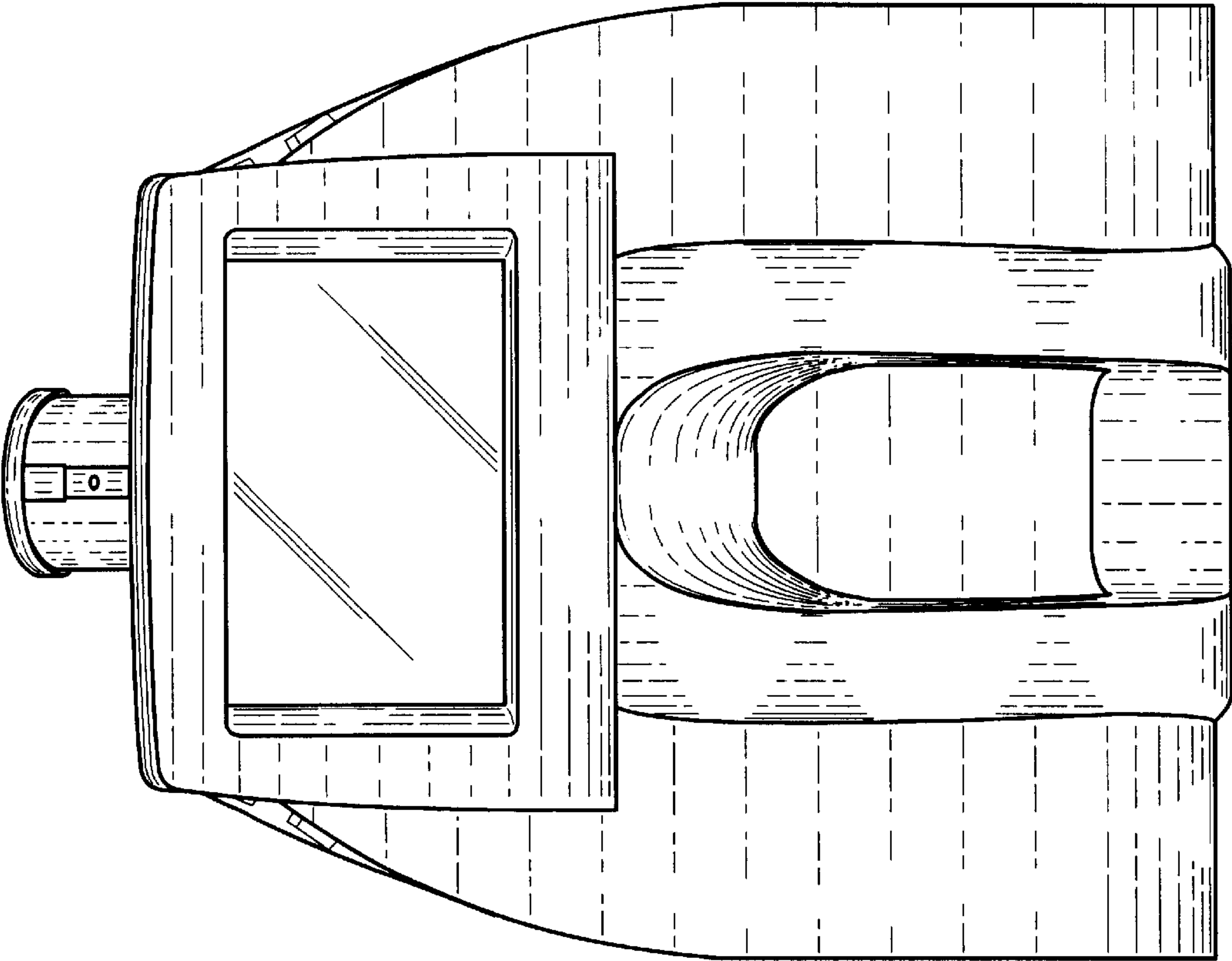


FIG. 5

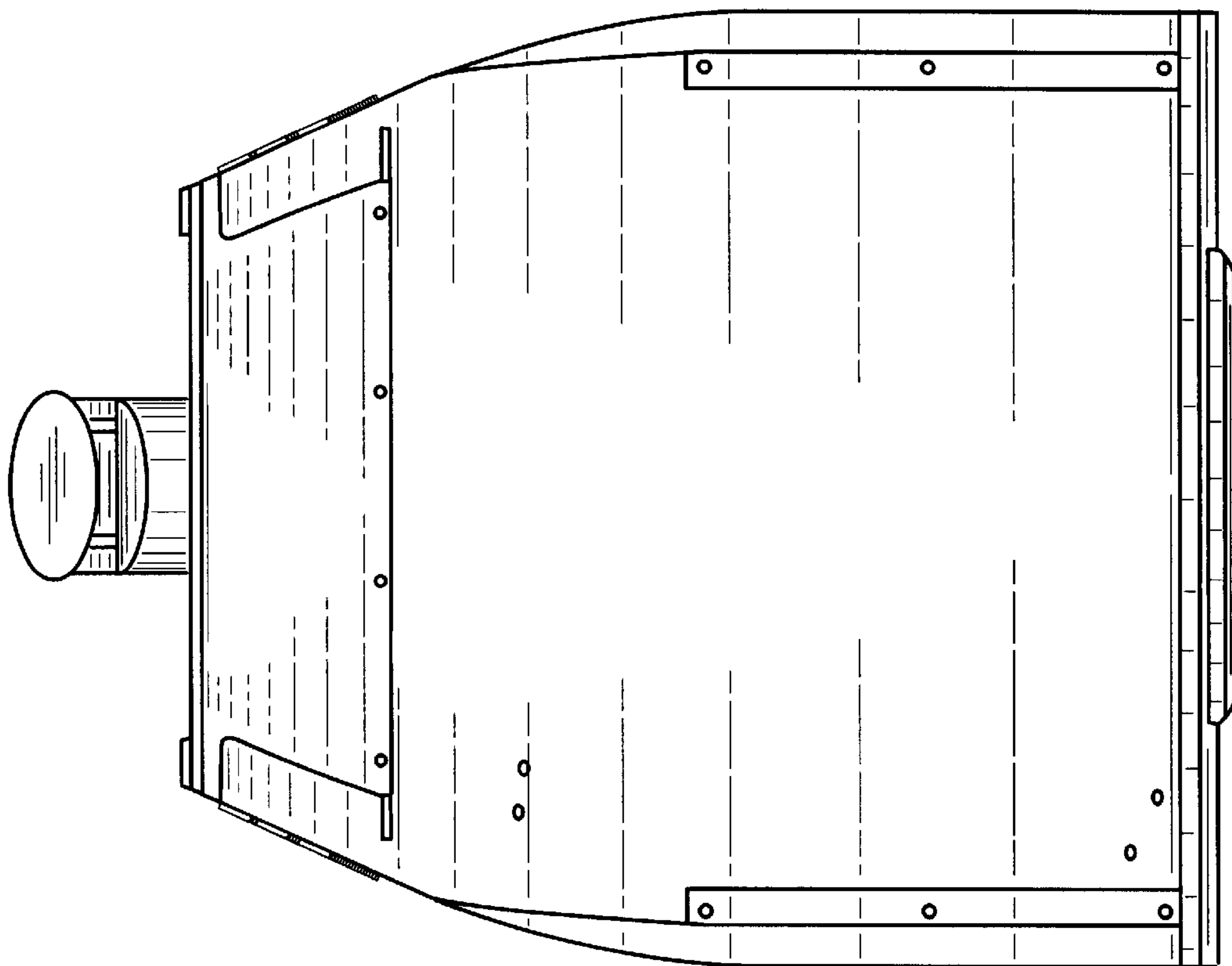


FIG. 6