



US00D526223S

(12) **United States Design Patent**
Ishii et al.

(10) **Patent No.:** **US D526,223 S**
(45) **Date of Patent:** **** Aug. 8, 2006**

(54) **LASER MEASURING INSTRUMENT**

2003/0179361 A1 * 9/2003 Ohtomo et al. 356/141.1
2004/0246468 A1 * 12/2004 Ohtomo et al. 356/139.1

(75) Inventors: **Mitsuo Ishii**, Itabashi-ku (JP); **Ryuichi Takei**, Itabashi-ku (JP)

* cited by examiner

(73) Assignee: **Kabushiki Kaisha TOPCON**, Tokyo (JP)

Primary Examiner—Antoine D. Davis

Assistant Examiner—Patricia Palasik

(74) *Attorney, Agent, or Firm*—Jacobson Holman PLLC

(**) Term: **14 Years**

(57) **CLAIM**

(21) Appl. No.: **29/227,968**

The ornamental design for a laser measuring instrument, as shown and described.

(22) Filed: **Apr. 19, 2005**

DESCRIPTION

(30) **Foreign Application Priority Data**

Oct. 19, 2004 (JP) D2004-031737

(51) **LOC (8) Cl.** **10-04**

(52) **U.S. Cl.** **D10/66**

(58) **Field of Classification Search** D10/50,
D10/65, 66, 101; D16/130; 33/276, 277,
33/281, 285–286, 290–299, DIG. 21; 250/206.2,
250/208.2, 214 B; 356/3.01, 5.06, 28, 138–155,
356/399, 400; 368/120

See application file for complete search history.

FIG. 1 is a perspective view of the laser measuring instrument according to our novel design;

FIG. 2 is a front view of the laser measuring instrument of FIG. 1;

FIG. 3 is a rear view of the laser measuring instrument of FIG. 1;

FIG. 4 is a left side view of the laser measuring instrument of FIG. 1;

FIG. 5 is a right side view of the laser measuring instrument of FIG. 1;

FIG. 6 is a top plan view of the laser measuring instrument of FIG. 1; and,

FIG. 7 is a bottom view of the laser measuring instrument of FIG. 1.

The broken line showing is for illustrative purposes only and forms no part of the claimed design.

(56) **References Cited**

U.S. PATENT DOCUMENTS

D367,233 S * 2/1996 Hoshino D10/66

D375,464 S * 11/1996 Hoshino D10/66

D409,507 S * 5/1999 Ishii D10/66

D494,074 S * 8/2004 Ishii D10/66

1 Claim, 7 Drawing Sheets

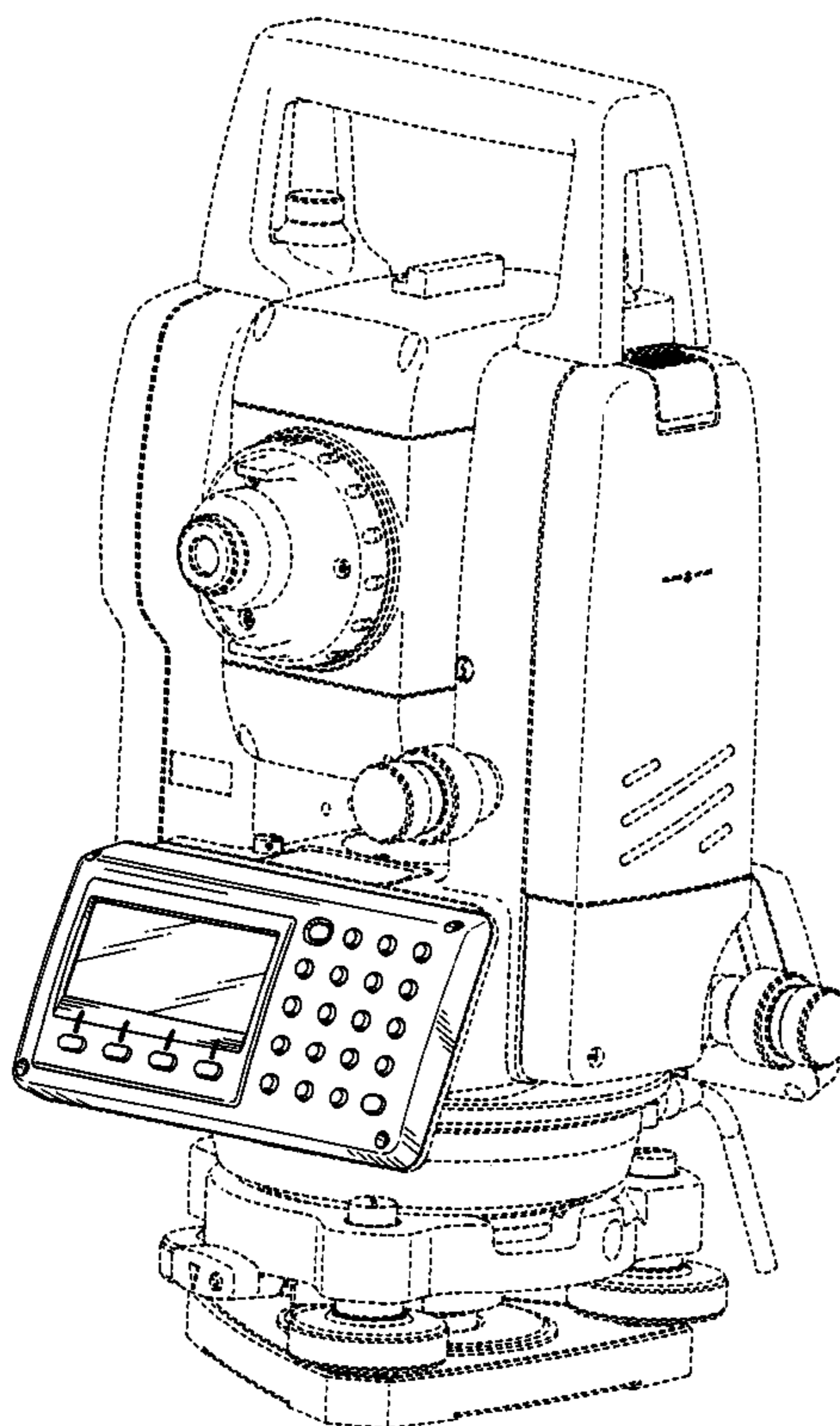


FIG.1

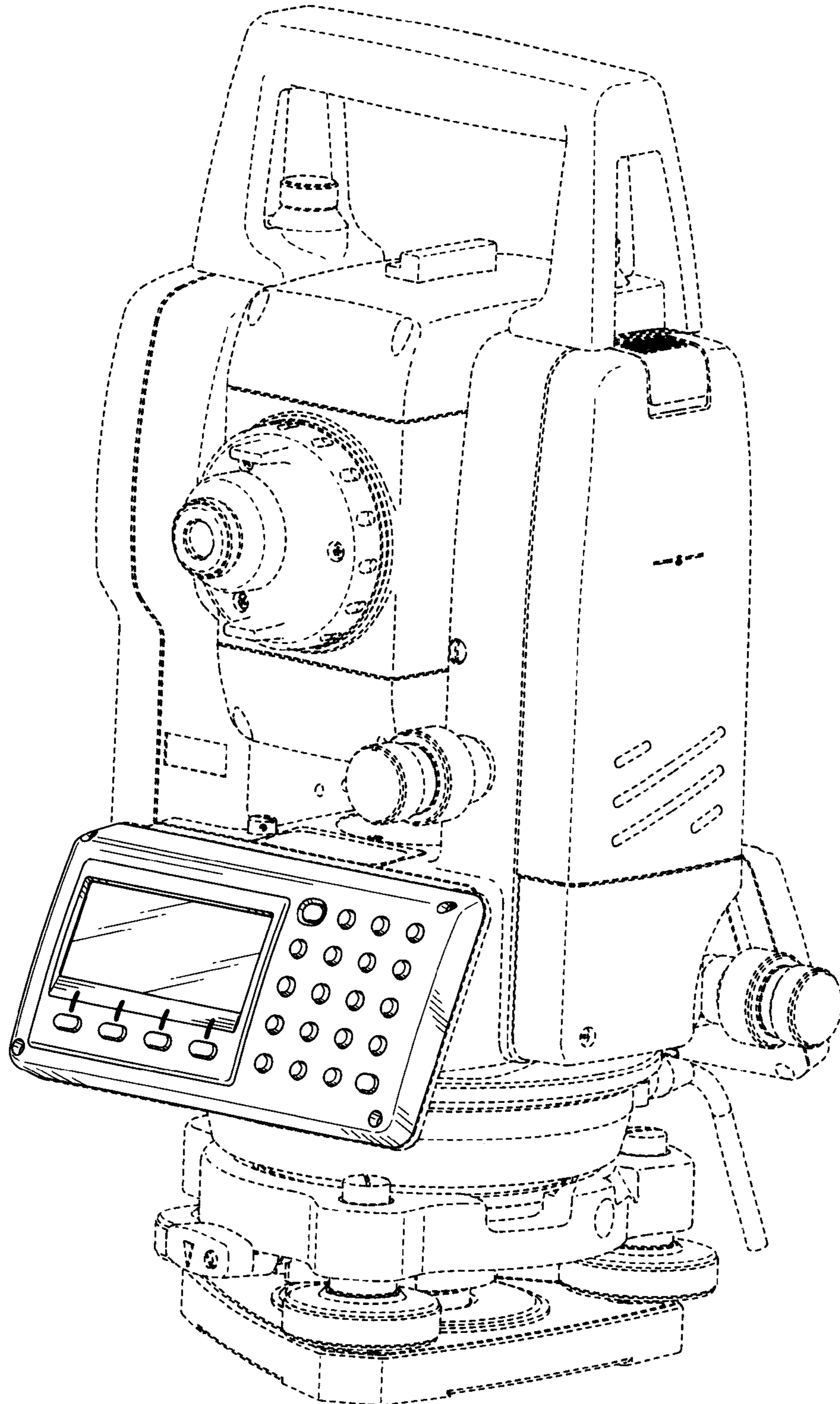


FIG.2

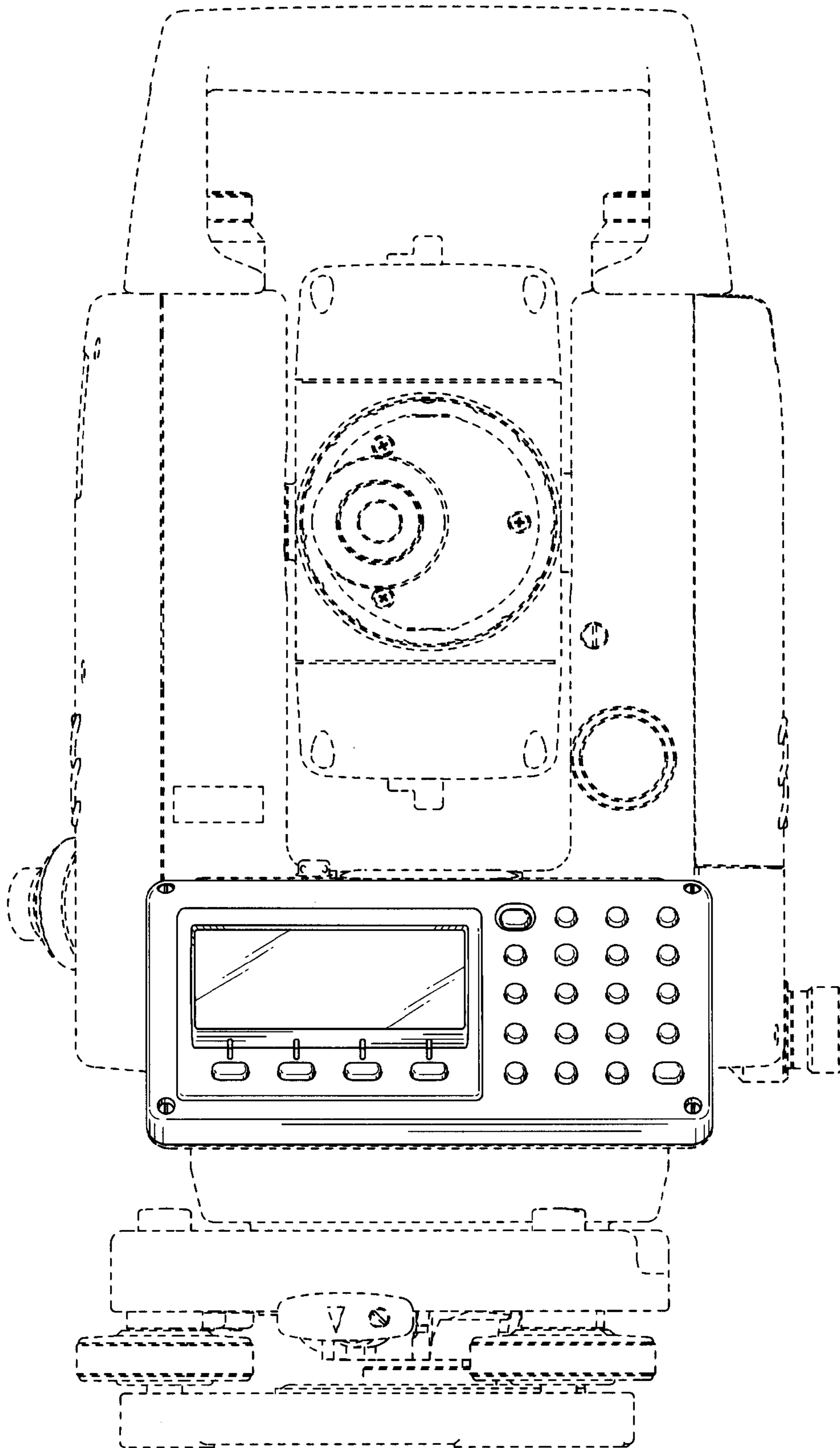


FIG.3

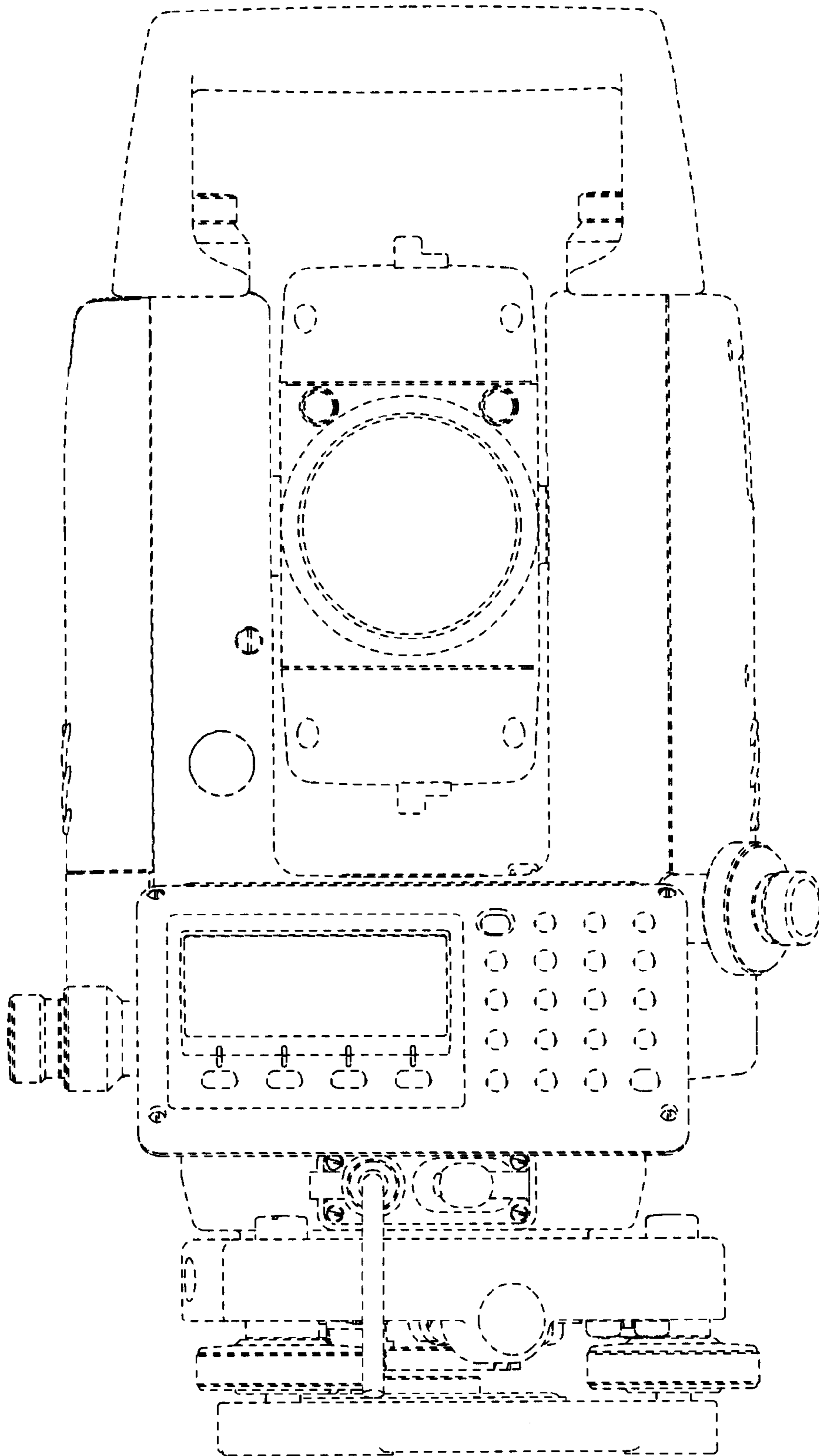


FIG.4

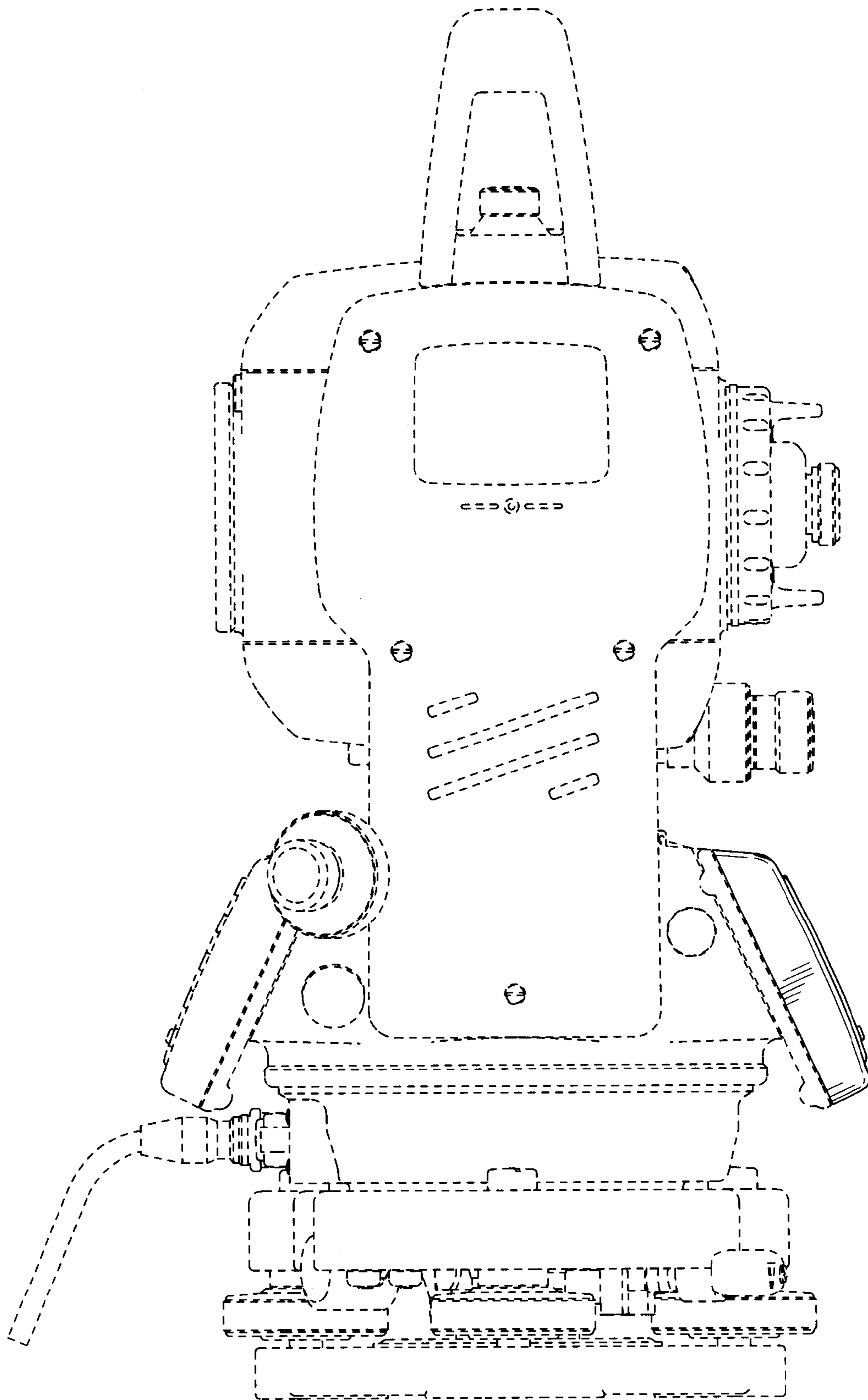


FIG.5

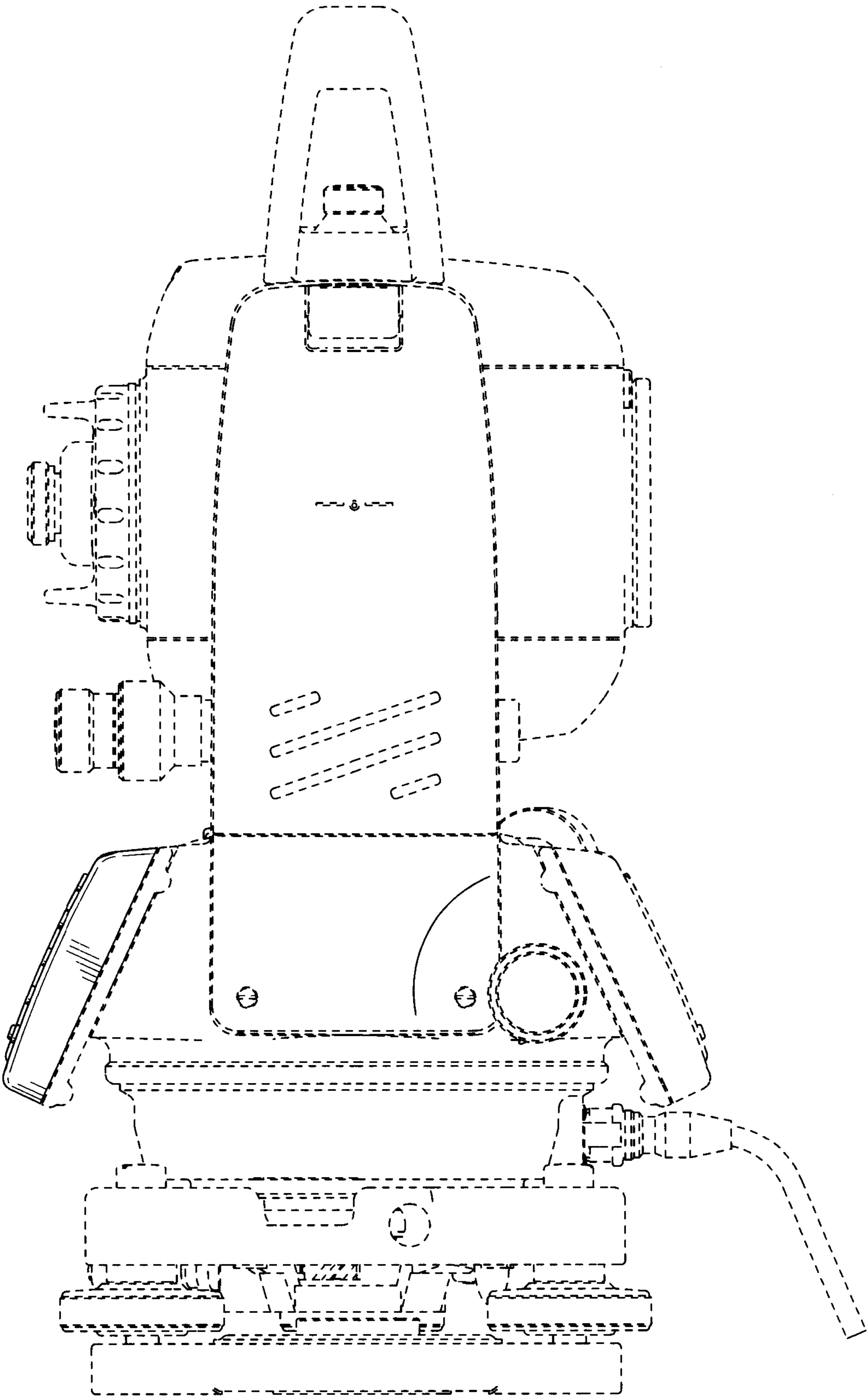


FIG.6

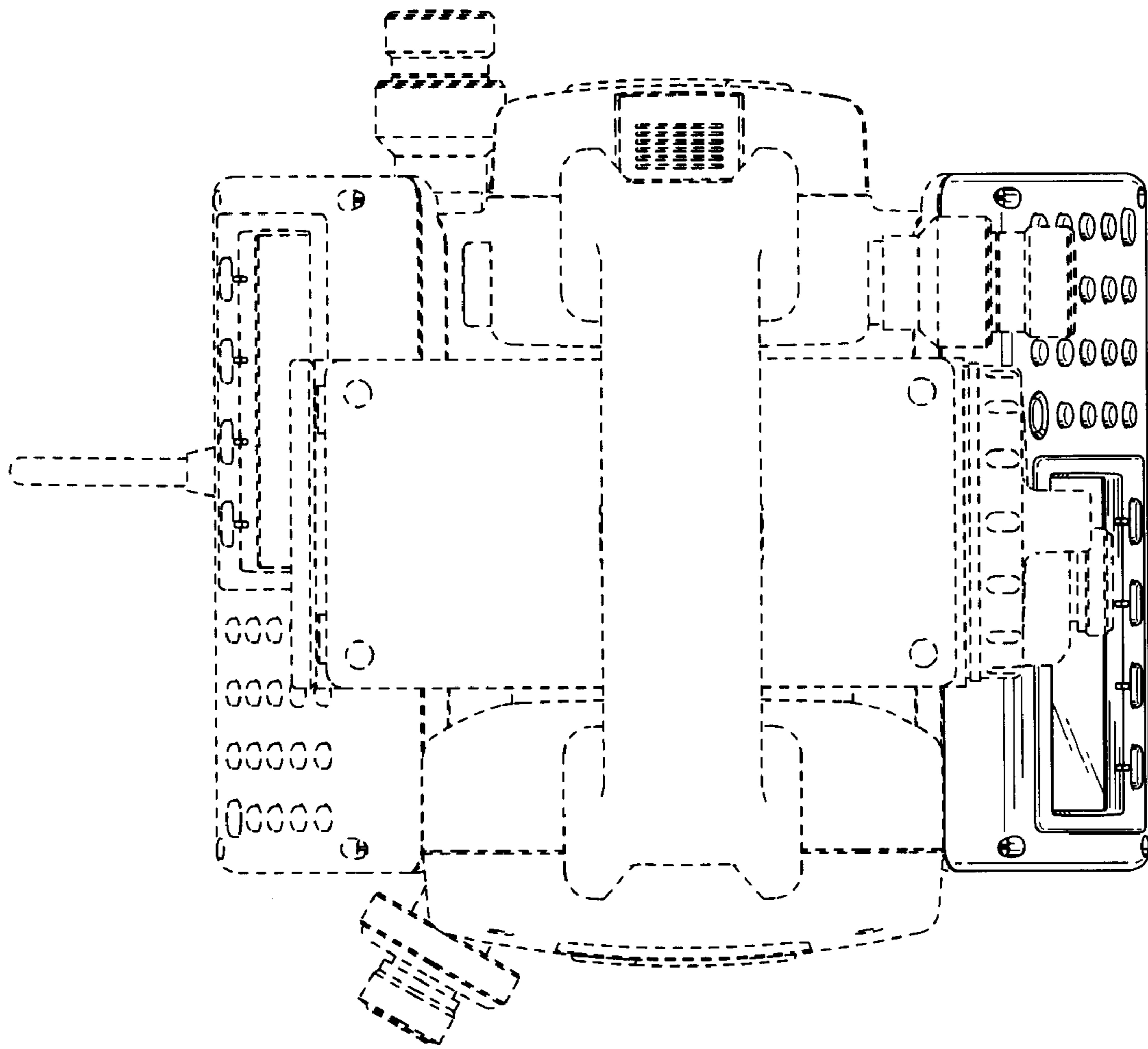


FIG.7

