



US00D526222S

(12) **United States Design Patent** (10) **Patent No.:** **US D526,222 S**  
**Uehara** (45) **Date of Patent:** **\*\* Aug. 8, 2006**

(54) **COMBINED LOCATING SYSTEM AND MONITOR**

(75) Inventor: **Mitsuhiro Uehara**, Tokyo (JP)

(73) Assignee: **Sony Corporation**, Tokyo (JP)

(\*\*) Term: **14 Years**

(21) Appl. No.: **29/223,694**

(22) Filed: **Feb. 18, 2005**

(51) **LOC (8) Cl.** ..... **10-04**

(52) **U.S. Cl.** ..... **D10/65**

(58) **Field of Classification Search** ..... D10/65;  
342/357.06–357.09, 357.1–357.13; 343/702;  
701/206–209, 213–214

See application file for complete search history.

(56) **References Cited**

**U.S. PATENT DOCUMENTS**

D417,201 S	*	11/1999	Davis	.....	D10/65
D421,013 S		2/2000	Isonaga		
D450,073 S		11/2001	Sumita		
D469,367 S	*	1/2003	Mirabelli et al.	.....	D10/65
D496,678 S		9/2004	Kawase		
D509,760 S	*	9/2005	Burrell et al.	.....	D10/65

**OTHER PUBLICATIONS**

Web page “iCN 630” <http://www.navman.com/gp/usa/products/icn630/>, 1 sheet, NAVMAN (Oct. 2004).

Web page “StreetPilot III” <http://www.garmin.com/products/spIII/>, 1 sheet GARMIN (Oct. 2004).

\* cited by examiner

*Primary Examiner*—Antoine D. Davis

(74) *Attorney, Agent, or Firm*—Rader, Fishman & Grauer PLLC

(57) **CLAIM**

The ornamental design for a combined locating system and monitor, as shown.

**DESCRIPTION**

FIG. 1 is a perspective view of a combined locating system and monitor showing my new design; FIG. 2 is a front elevational view thereof; FIG. 3 is a rear elevational view thereof; FIG. 4 is a left side elevational view thereof; FIG. 5 is a right side elevational view thereof; FIG. 6 is a top plan view thereof; and, FIG. 7 is a bottom plan view thereof.

**1 Claim, 4 Drawing Sheets**

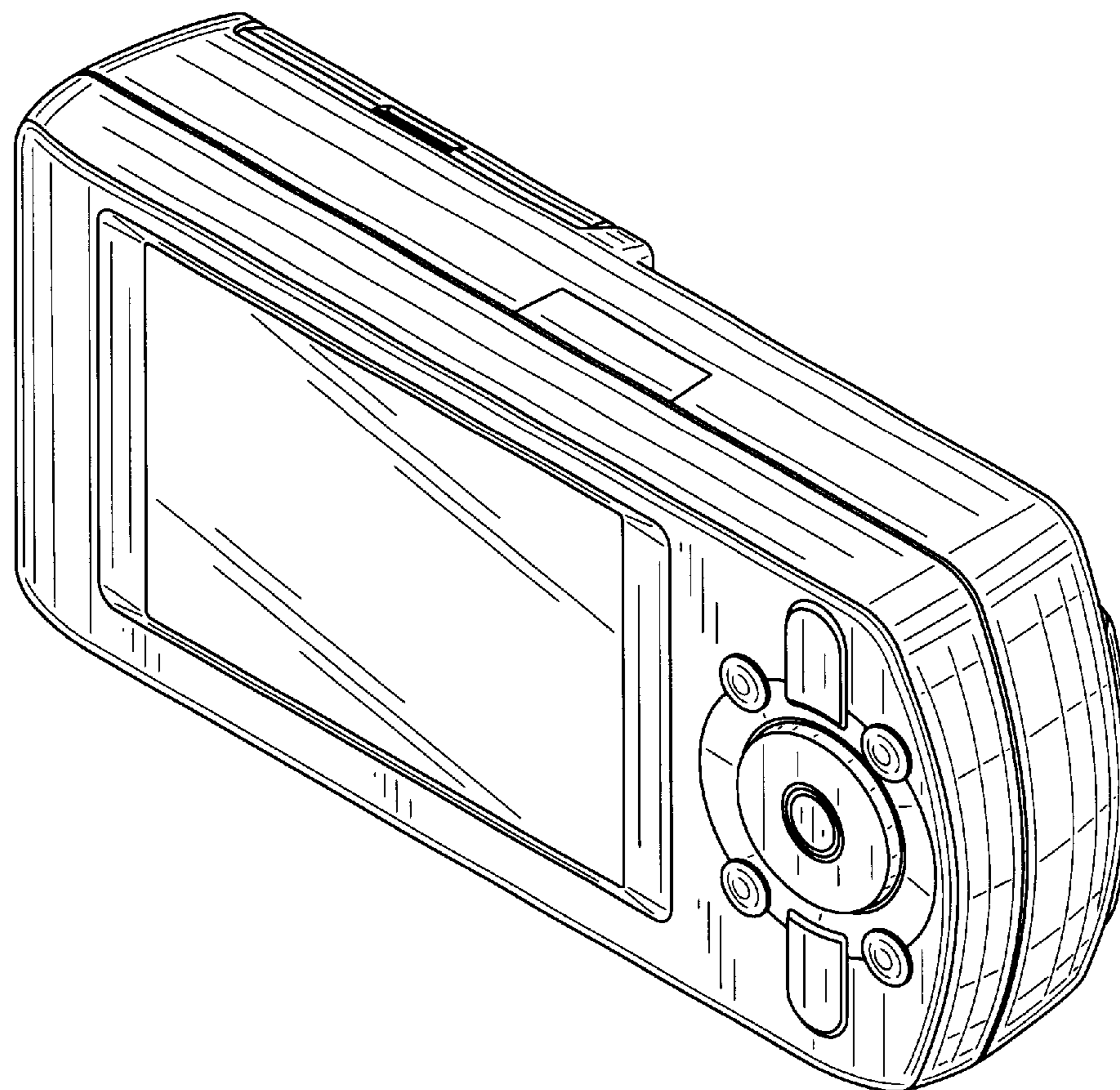


Fig. 1

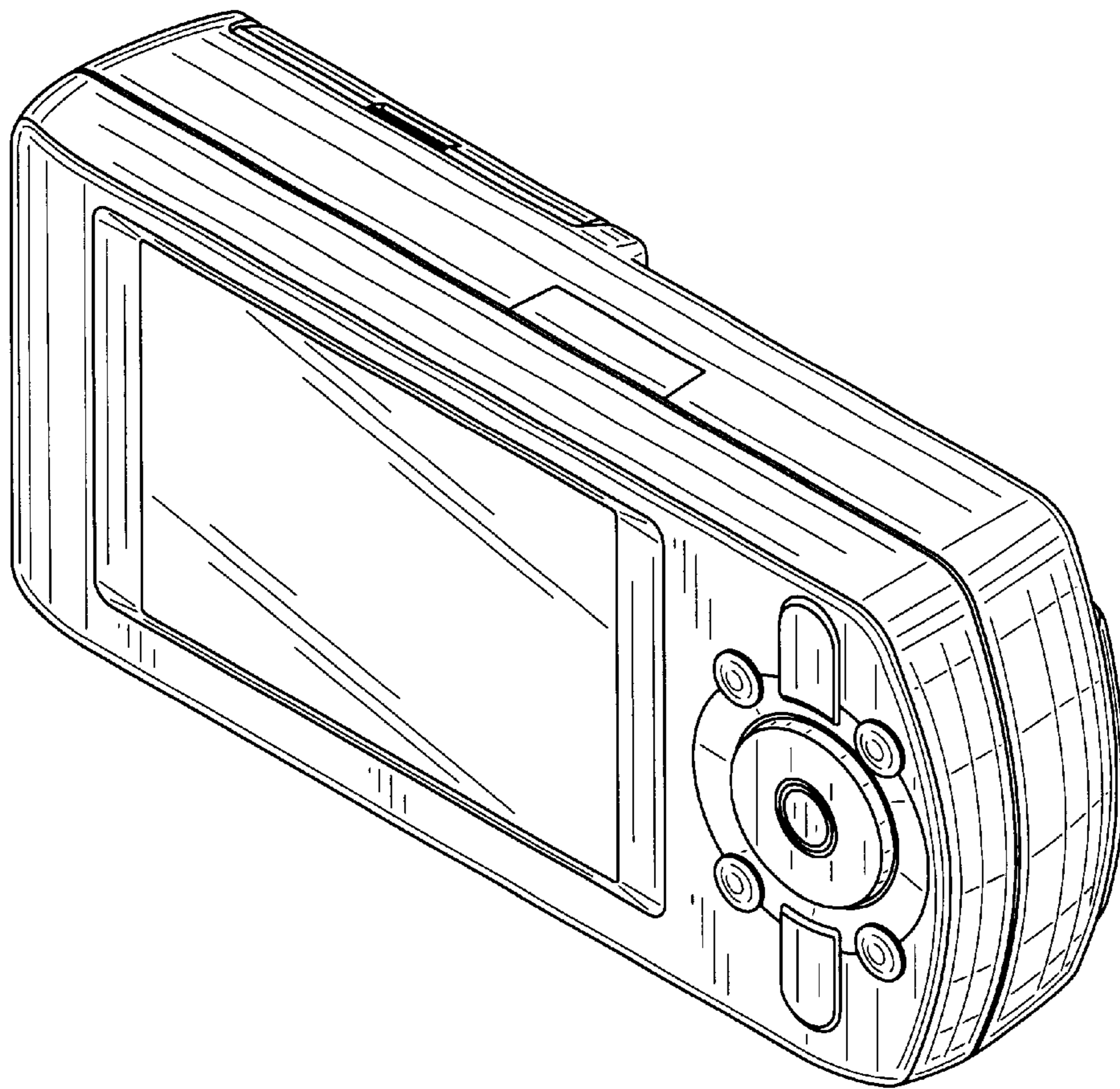


Fig.2

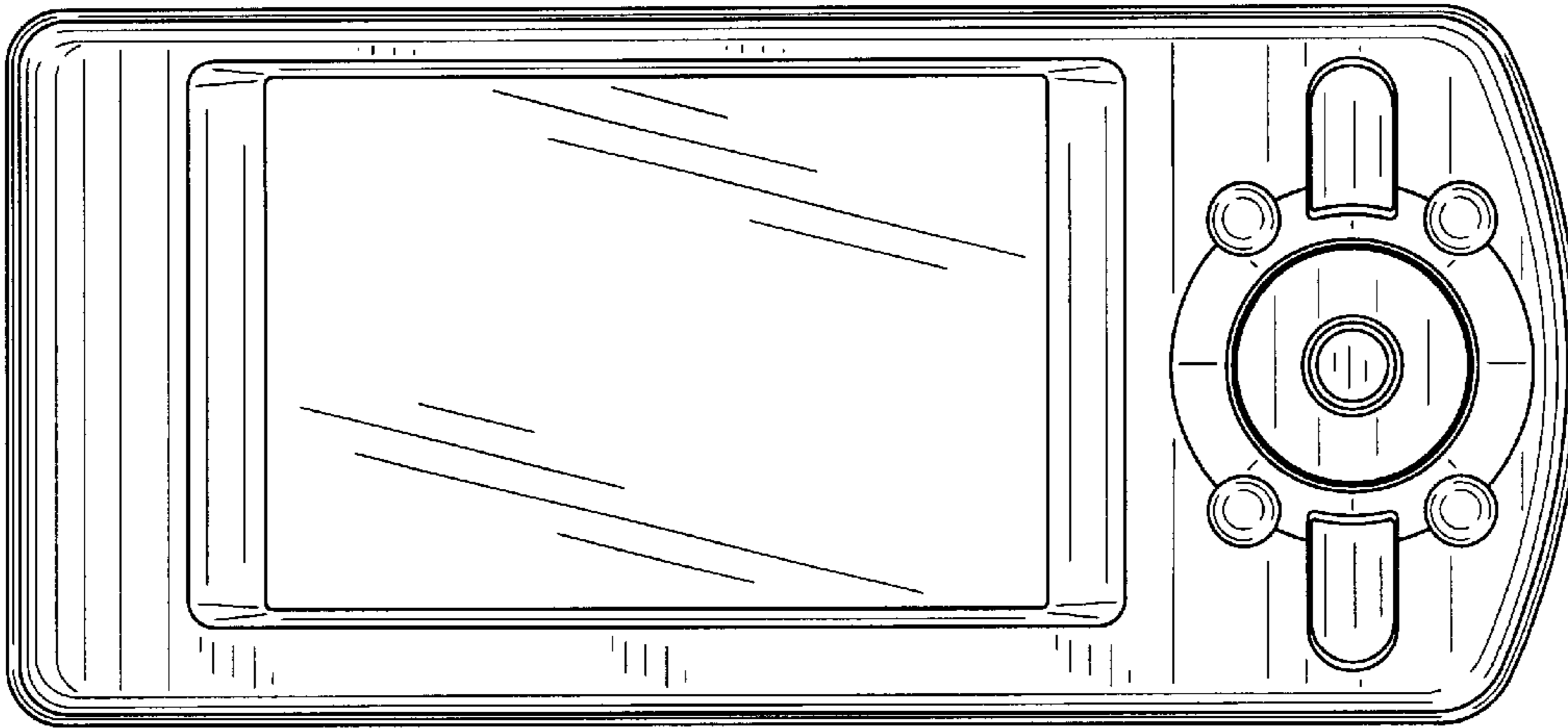


Fig.3

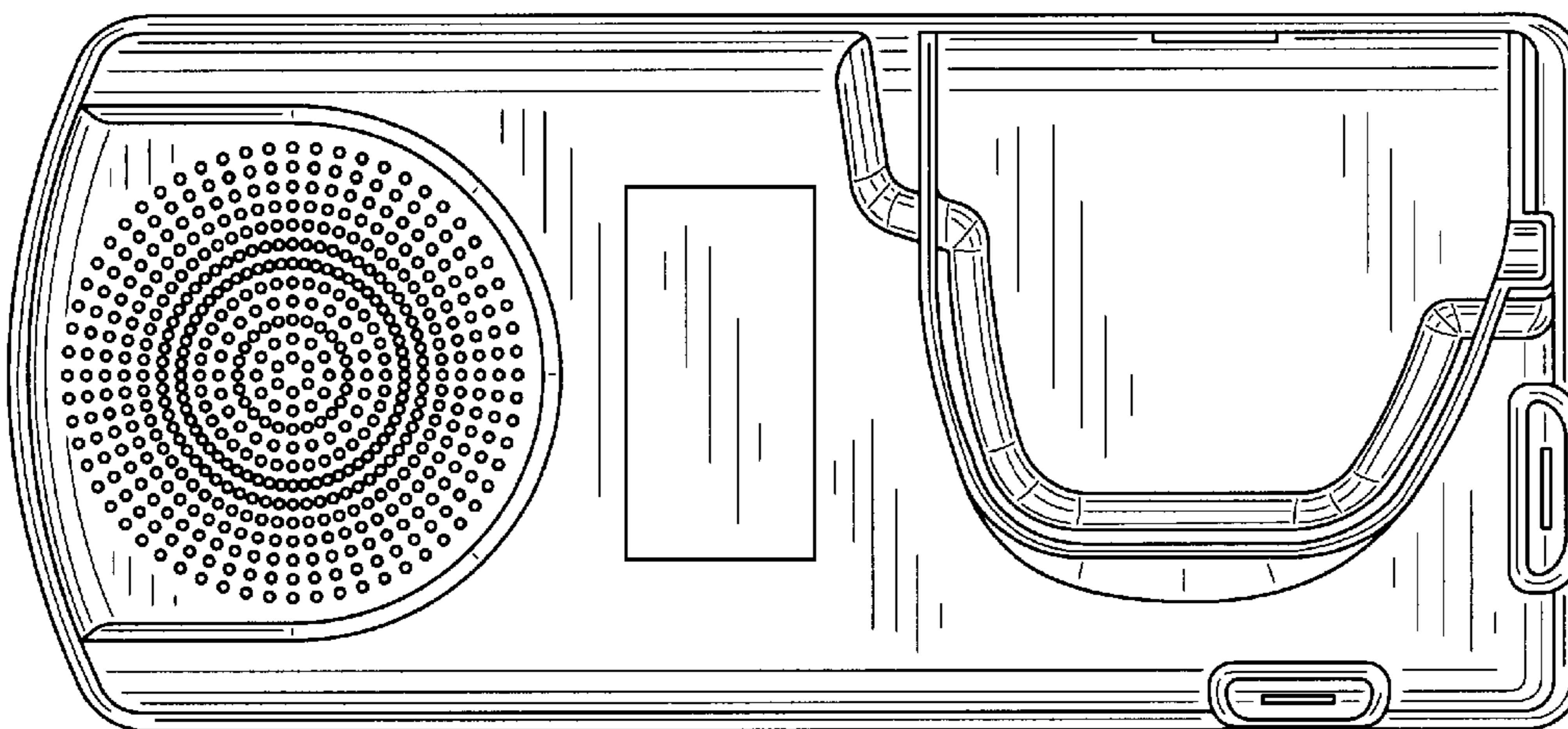


Fig.4

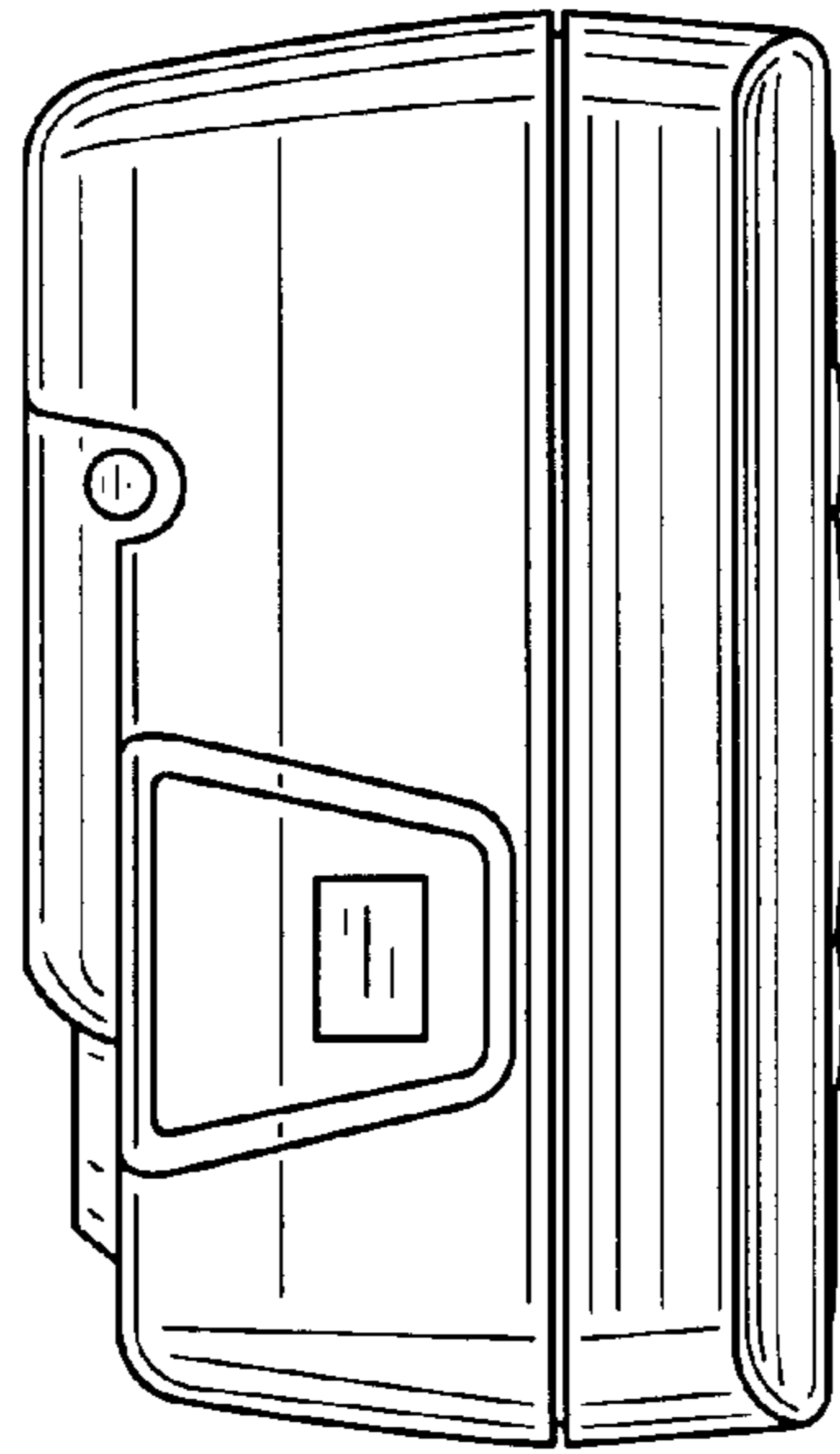


Fig.5

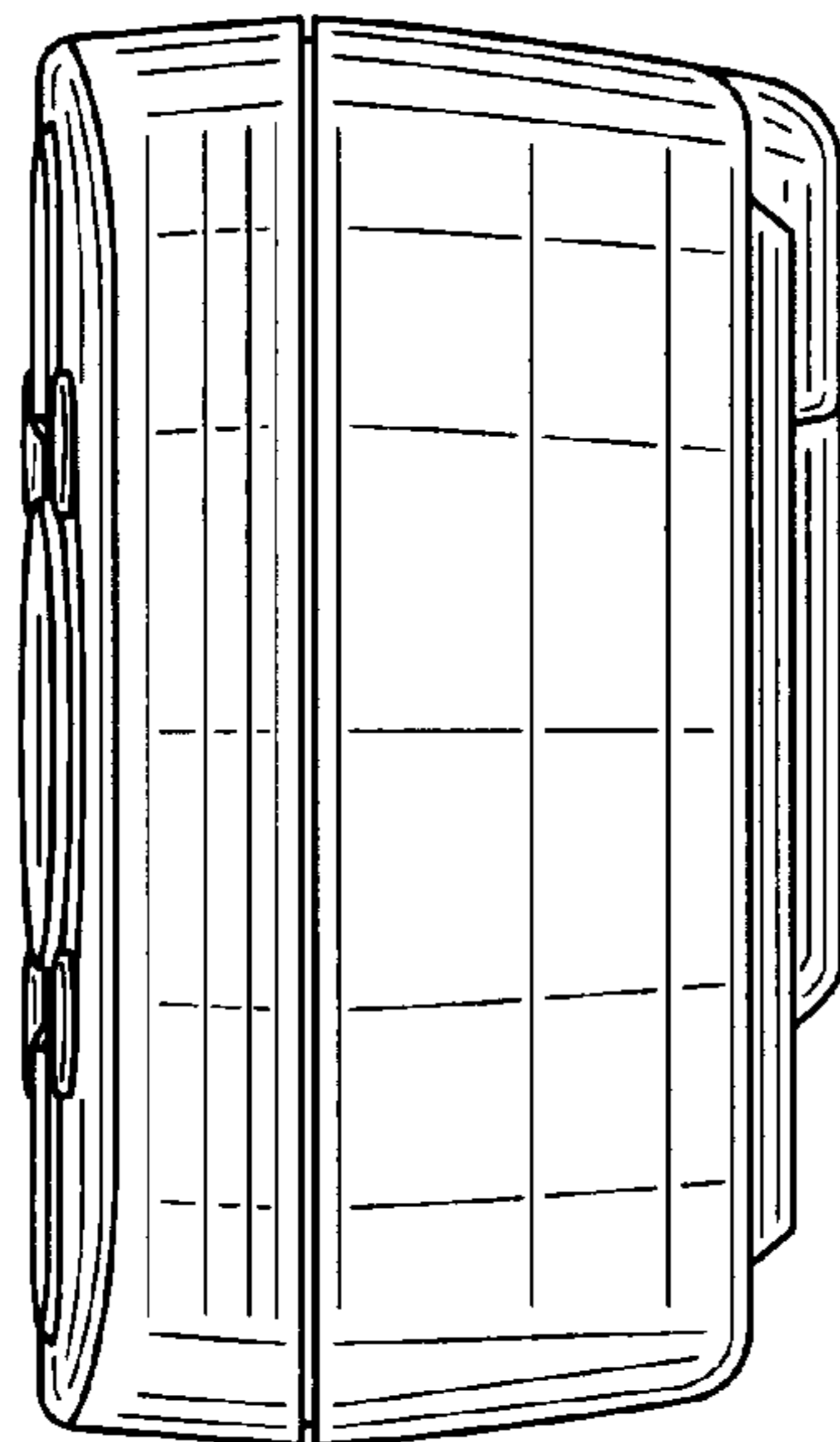


Fig.6

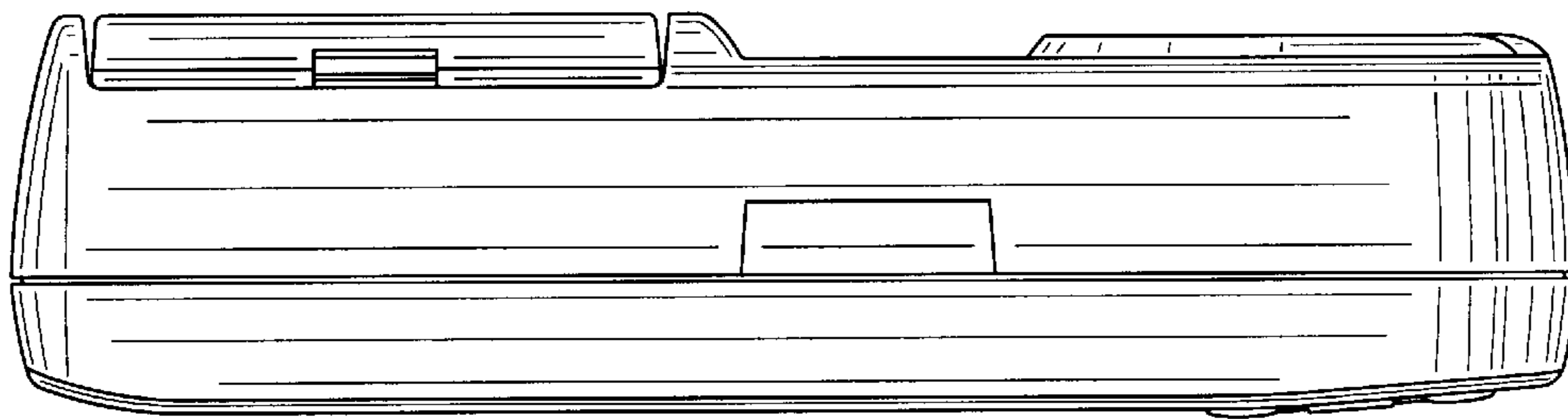


Fig.7

