



US00D526214S

(12) **United States Design Patent**
Morishima et al.

(10) **Patent No.:** **US D526,214 S**

(45) **Date of Patent:** **** Aug. 8, 2006**

(54) **WATCH CASE**

(75) Inventors: **Takashi Morishima**, Hamura (JP);
Ryusuke Moriai, Oume (JP); **Kotaro Nakazato**, Fujimi (JP)

(73) Assignee: **Casio Keisanki Kabushiki Kaisha**,
Tokyo (JP)

(**) Term: **14 Years**

(21) Appl. No.: **29/224,143**

(22) Filed: **Feb. 25, 2005**

(51) **LOC (8) Cl.** **10-02**

(52) **U.S. Cl.** **D10/38**

(58) **Field of Classification Search** D10/30-39,
D10/122-132; 368/276, 281, 282, 285, 294,
368/295, 316, 317, 21-27, 28-30, 82-84,
368/226, 228, 232, 250, 239-242, 10, 223
See application file for complete search history.

(56) **References Cited**

U.S. PATENT DOCUMENTS

D378,740 S * 4/1997 Yamamoto et al. D10/38
D387,677 S * 12/1997 Hanagata D10/30

D407,332 S * 3/1999 Kojima D10/30
D413,527 S * 9/1999 Hanagata D10/30
D428,346 S * 7/2000 Goto et al. D10/30
D488,389 S * 4/2004 Moriai et al. D10/30
D496,868 S * 10/2004 Yamamoto D10/30
D512,922 S * 12/2005 Yan D10/32
D514,454 S * 2/2006 Sekiguchi D10/30

* cited by examiner

Primary Examiner—Lucy Lieberman

(74) *Attorney, Agent, or Firm*—Frishauf Holtz Goodman &
Chick P.C.

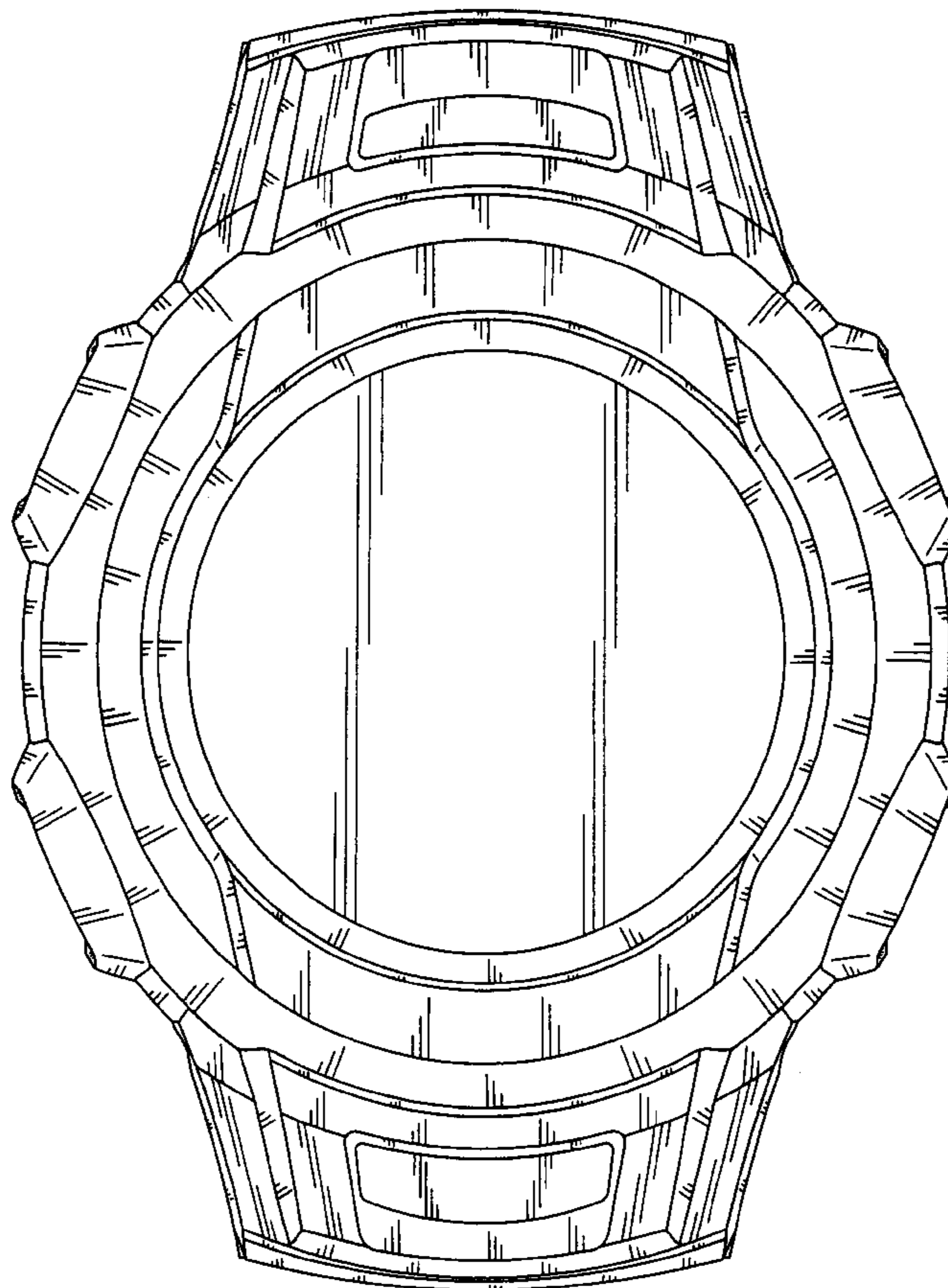
(57) **CLAIM**

The ornamental design for a watch case, as shown.

DESCRIPTION

FIG. 1 is a reduced scale front, right side, bottom perspective view of a watch case showing our new design; FIG. 2 is a front elevational view thereof; FIG. 3 is a rear elevational view thereof; FIG. 4 is a left side view thereof; FIG. 5 is a right side view thereof; FIG. 6 is a top plan view thereof; and, FIG. 7 is a bottom plan view thereof.

1 Claim, 6 Drawing Sheets



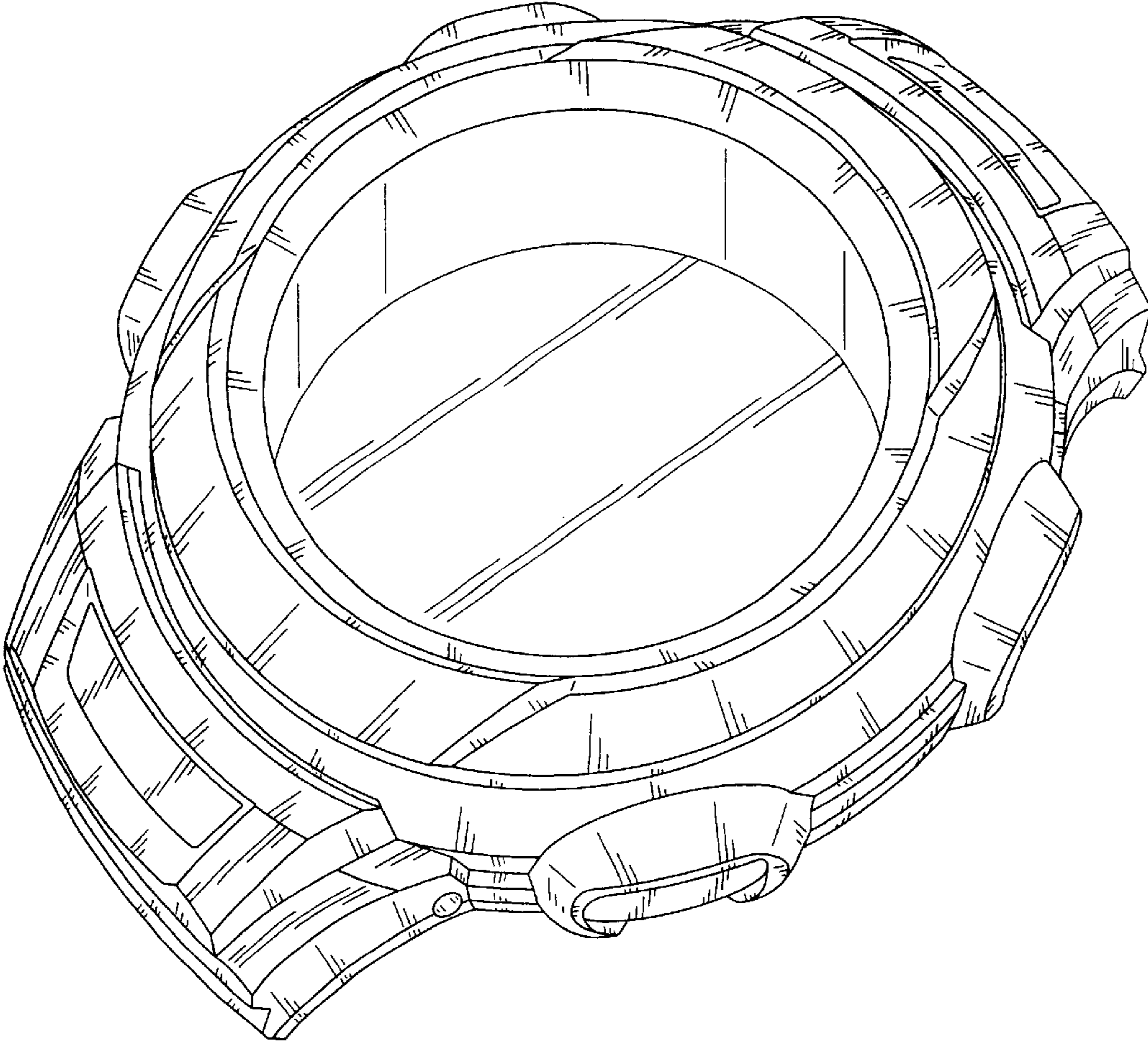


FIG. 1

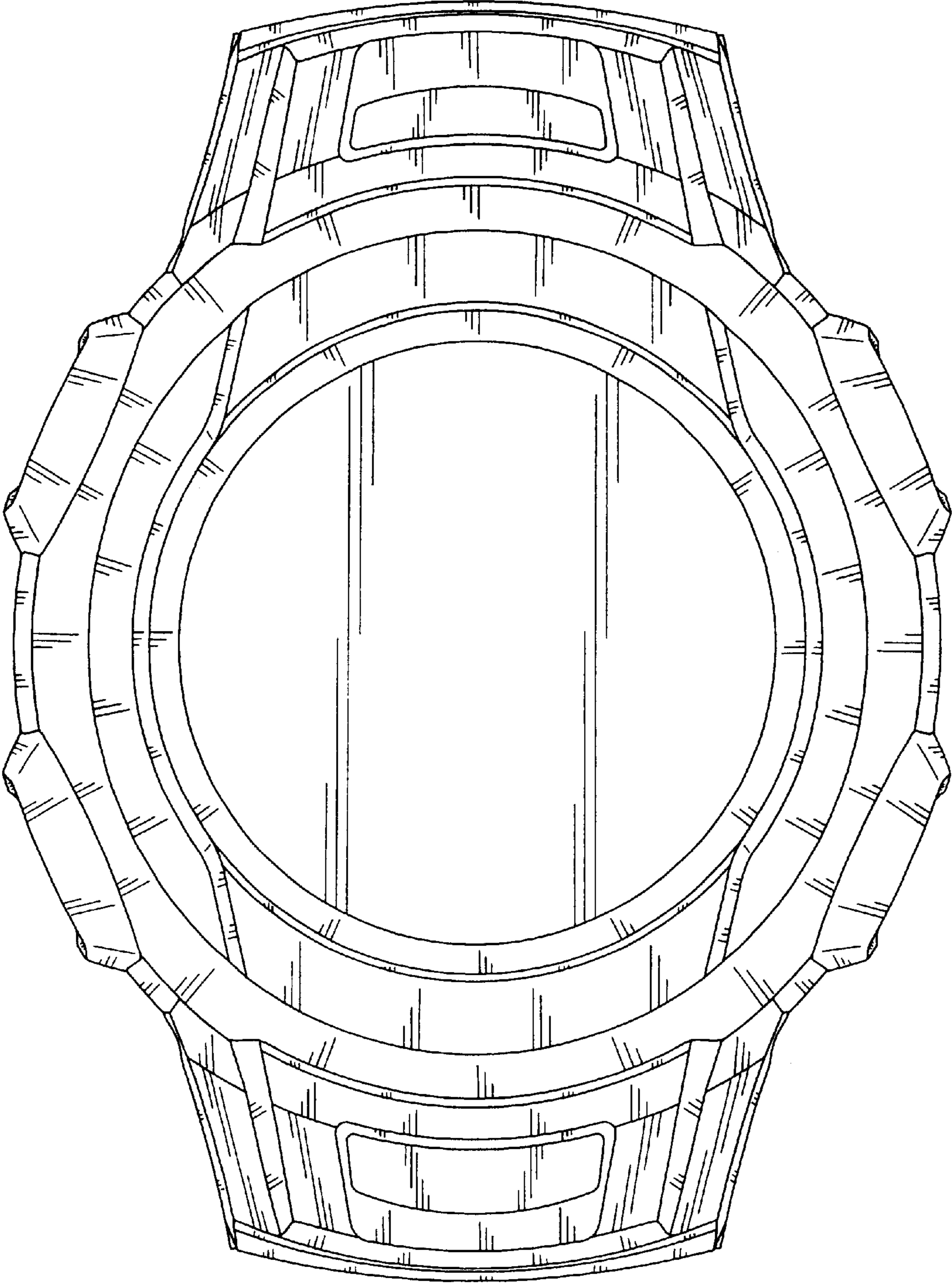


FIG. 2

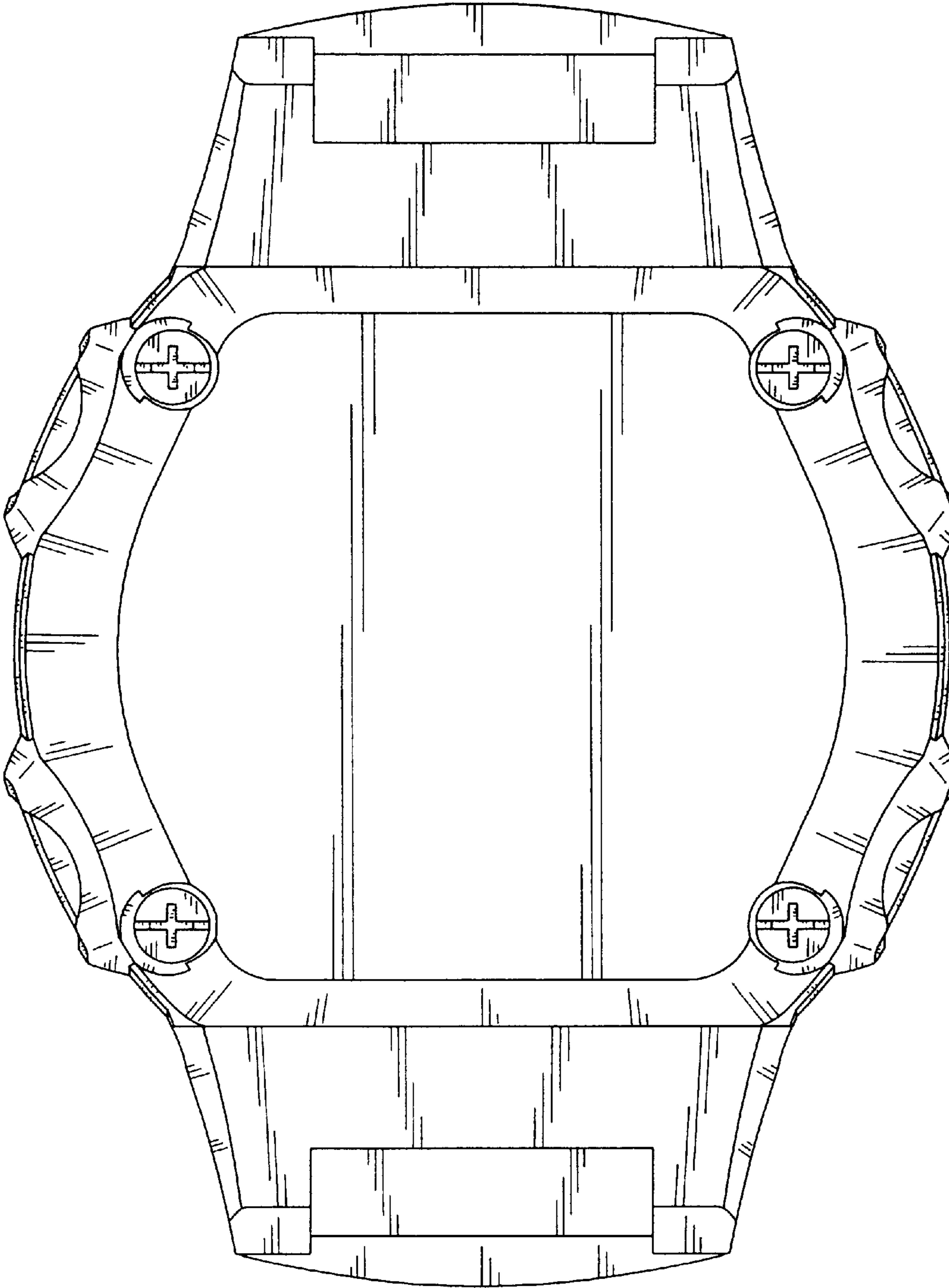


FIG. 3

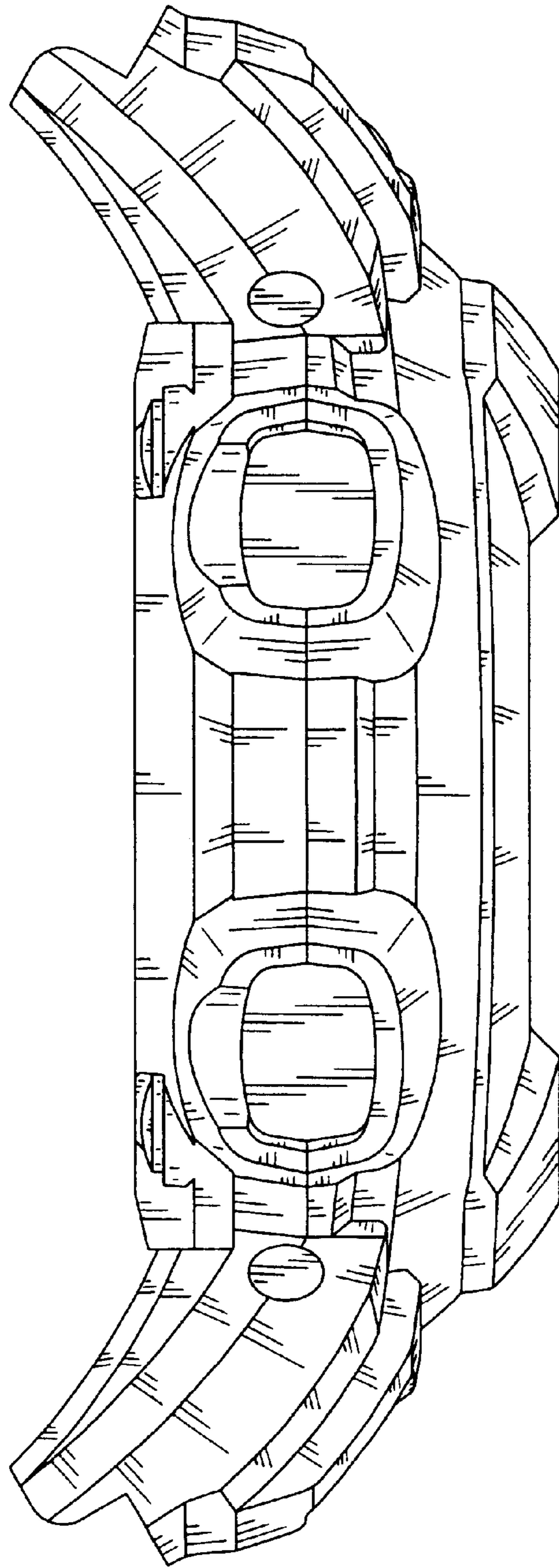


FIG. 4

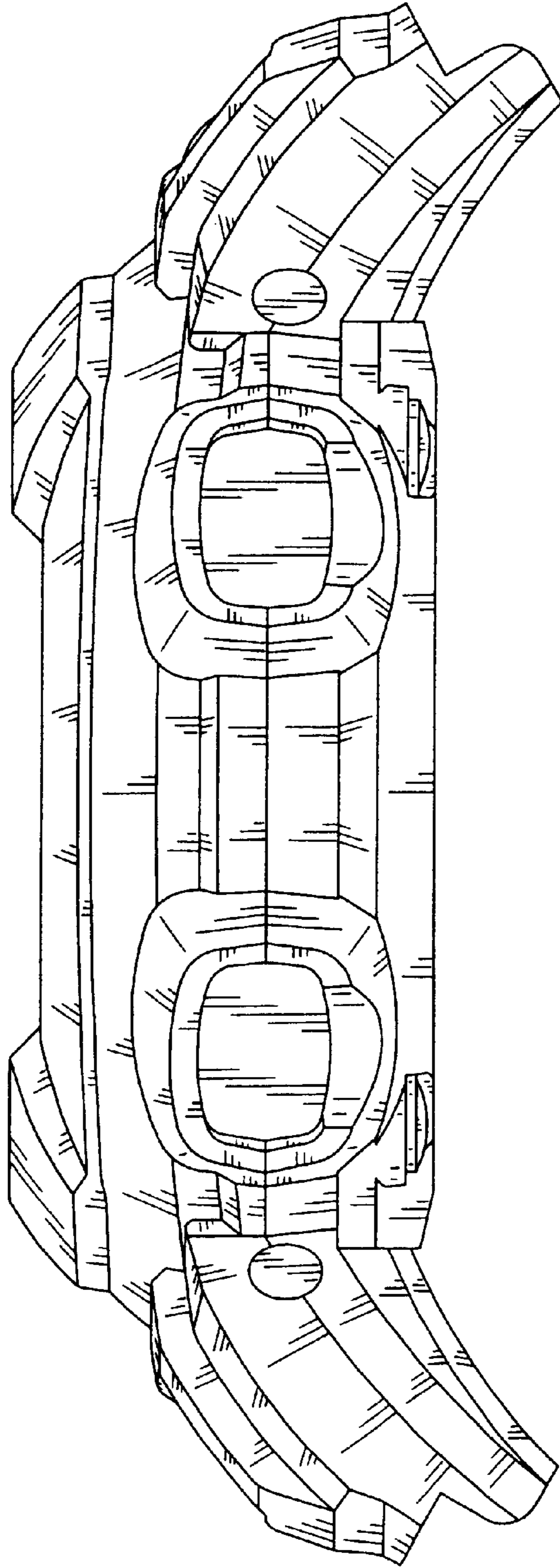


FIG. 5

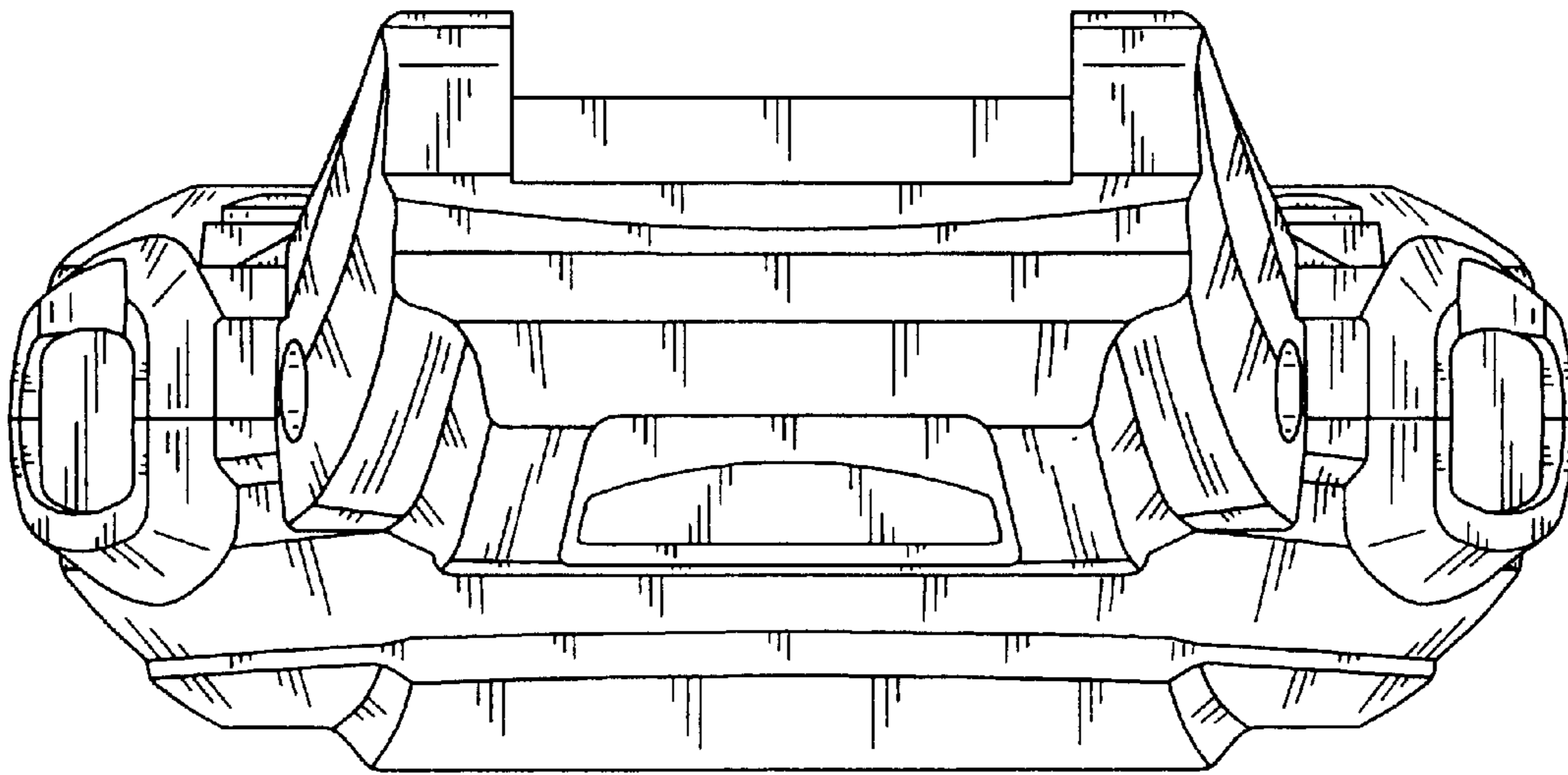


FIG. 6

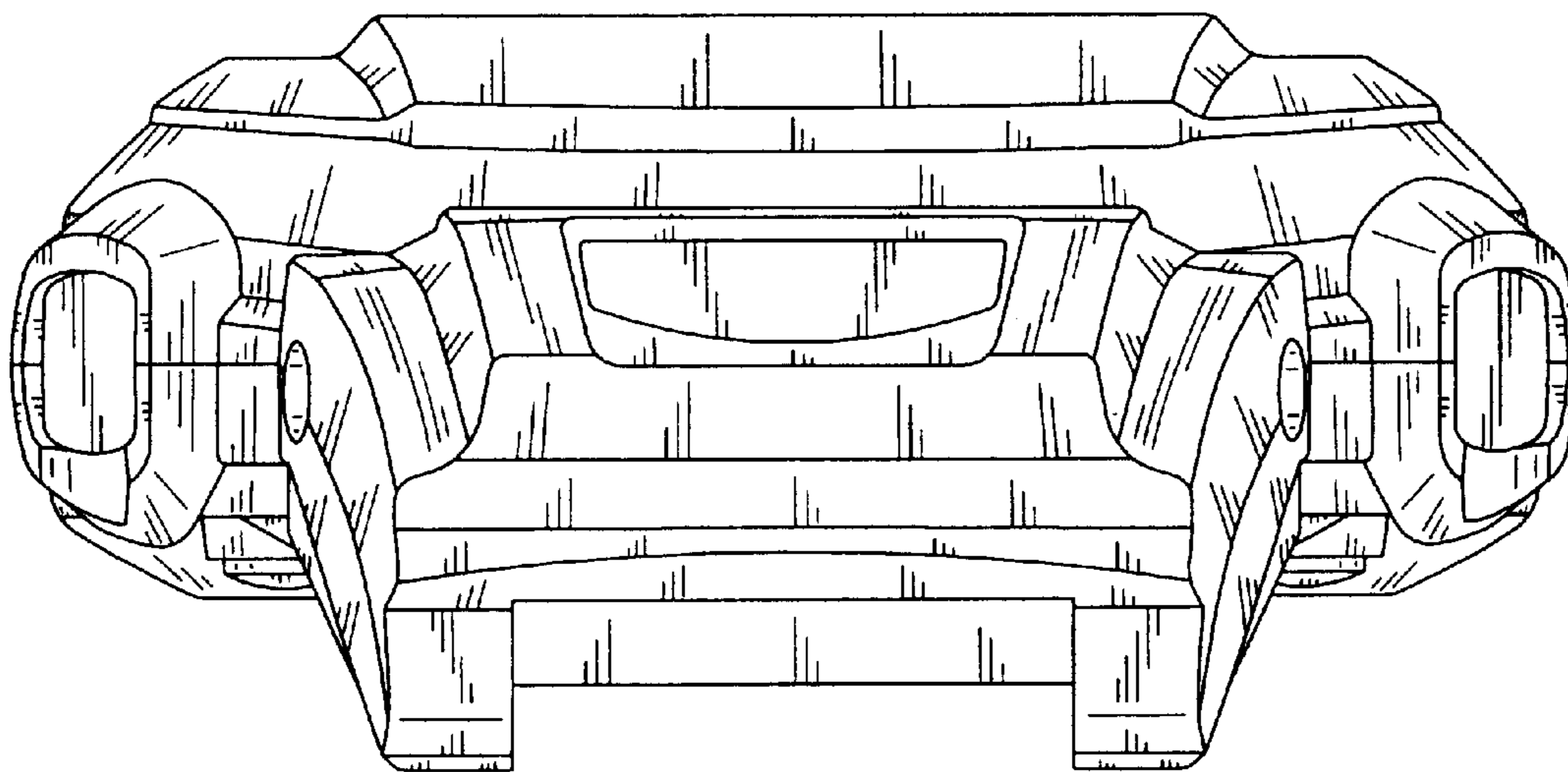


FIG. 7