



US00D526213S

(12) **United States Design Patent**  
**Moriai et al.**

(10) **Patent No.:** **US D526,213 S**

(45) **Date of Patent:** **\*\* Aug. 8, 2006**

(54) **WATCH CASE**

(75) Inventors: **Ryusuke Moriai**, Oume (JP); **Kotaro Nakazato**, Fujimi (JP)

(73) Assignee: **Casio Keisanki Kabushiki Kaisha**, Tokyo (JP)

(\*\*) Term: **14 Years**

(21) Appl. No.: **29/224,142**

(22) Filed: **Feb. 25, 2005**

(51) **LOC (8) Cl.** ..... **10-02**

(52) **U.S. Cl.** ..... **D10/38**

(58) **Field of Classification Search** ..... D10/30-39,  
D10/122-132; 368/276, 281, 282, 285, 294,  
368/295, 316, 317, 21-27, 28-30, 82-84,  
368/226, 228, 232, 250, 239-242, 10, 223  
See application file for complete search history.

(56) **References Cited**

**U.S. PATENT DOCUMENTS**

D418,430 S	*	1/2000	Moriai	.....	D10/30
D426,780 S	*	6/2000	Goto et al.	.....	D10/30
D442,500 S	*	5/2001	Moriai	.....	D10/30
D451,823 S	*	12/2001	Moriai	.....	D10/30

D451,825 S	*	12/2001	Hanagata	.....	D10/30
D456,276 S	*	4/2002	Shiraishi	.....	D10/30
D458,152 S	*	6/2002	Kojima	.....	D10/30
D489,999 S	*	5/2004	Yamamoto	.....	D10/30
D496,289 S	*	9/2004	Kojima et al.	.....	D10/30
D502,650 S	*	3/2005	Kojima et al.	.....	D10/30
D504,829 S	*	5/2005	Moriai	.....	D10/30
D509,216 S	*	9/2005	Yamamoto et al.	.....	D14/344

\* cited by examiner

*Primary Examiner*—Lucy Lieberman

(74) *Attorney, Agent, or Firm*—Frishauf Holtz Goodman & Chick P.C.

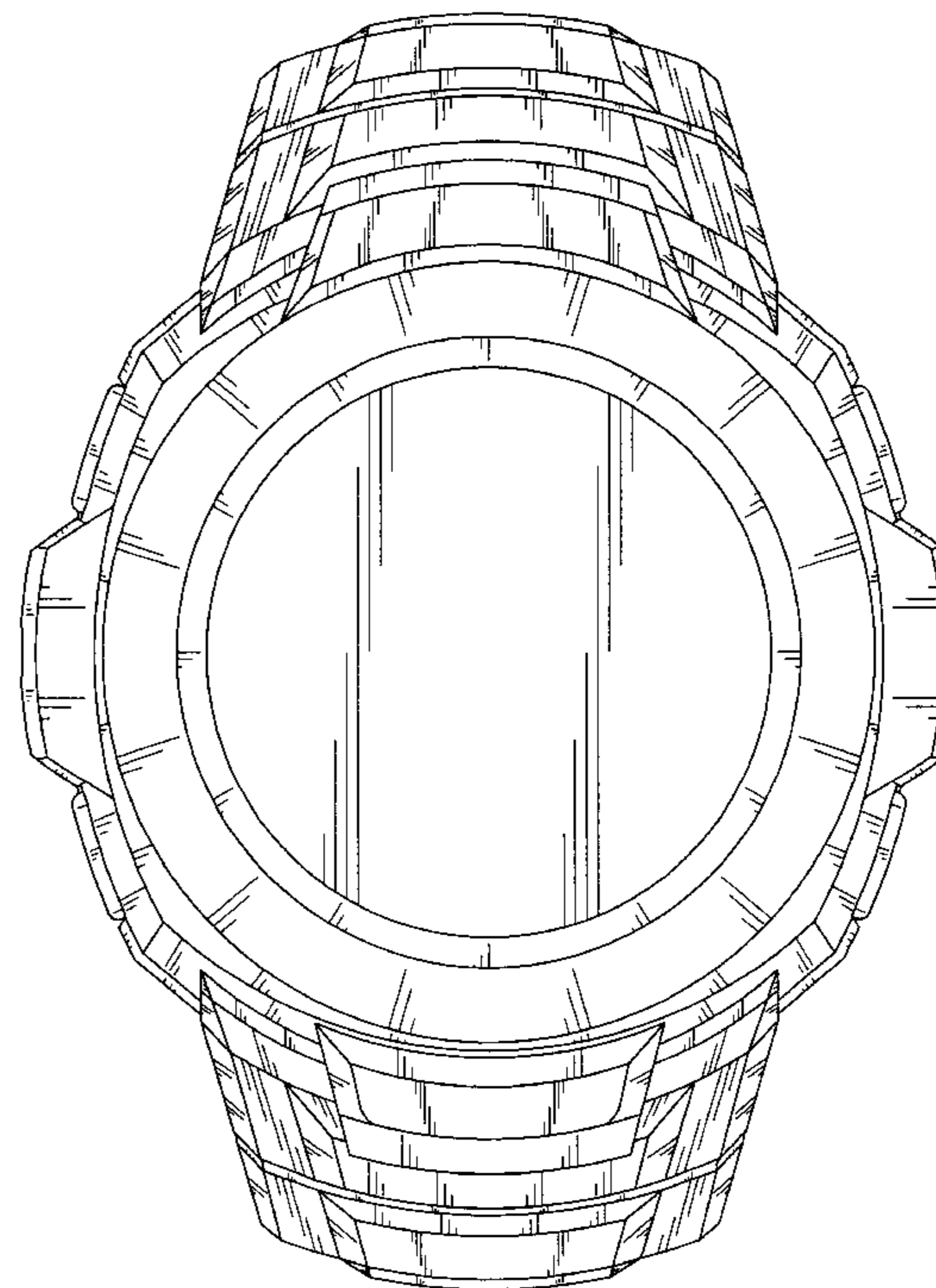
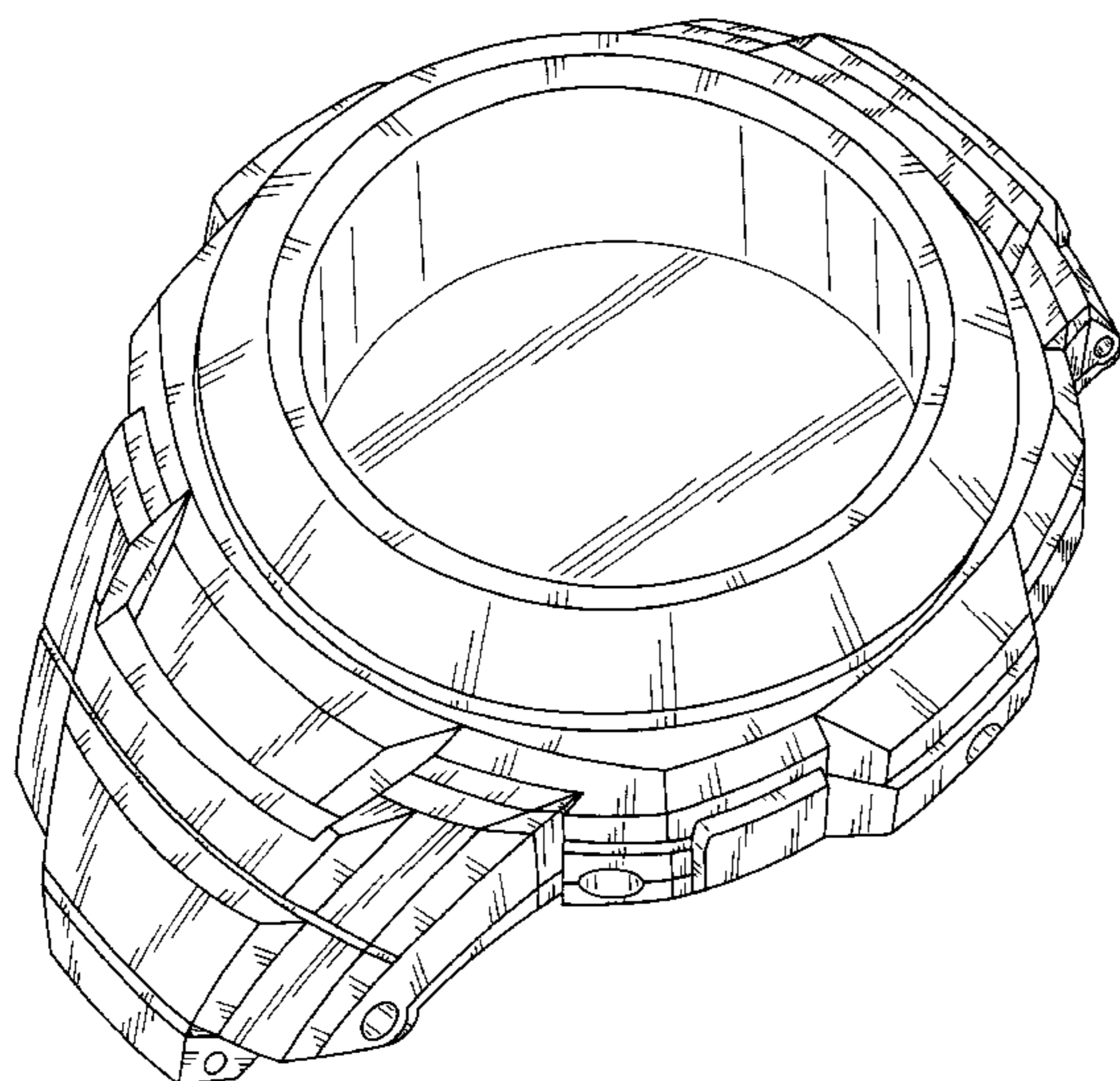
(57) **CLAIM**

The ornamental design for a watch case, as shown.

**DESCRIPTION**

FIG. 1 is a reduced scale front, right side, bottom perspective view of a watch case showing our new design; FIG. 2 is a front elevational view thereof; FIG. 3 is a rear elevational view thereof; FIG. 4 is a left side view thereof; FIG. 5 is a right side view thereof; FIG. 6 is a top plan view thereof; and, FIG. 7 is a bottom plan view thereof.

**1 Claim, 6 Drawing Sheets**



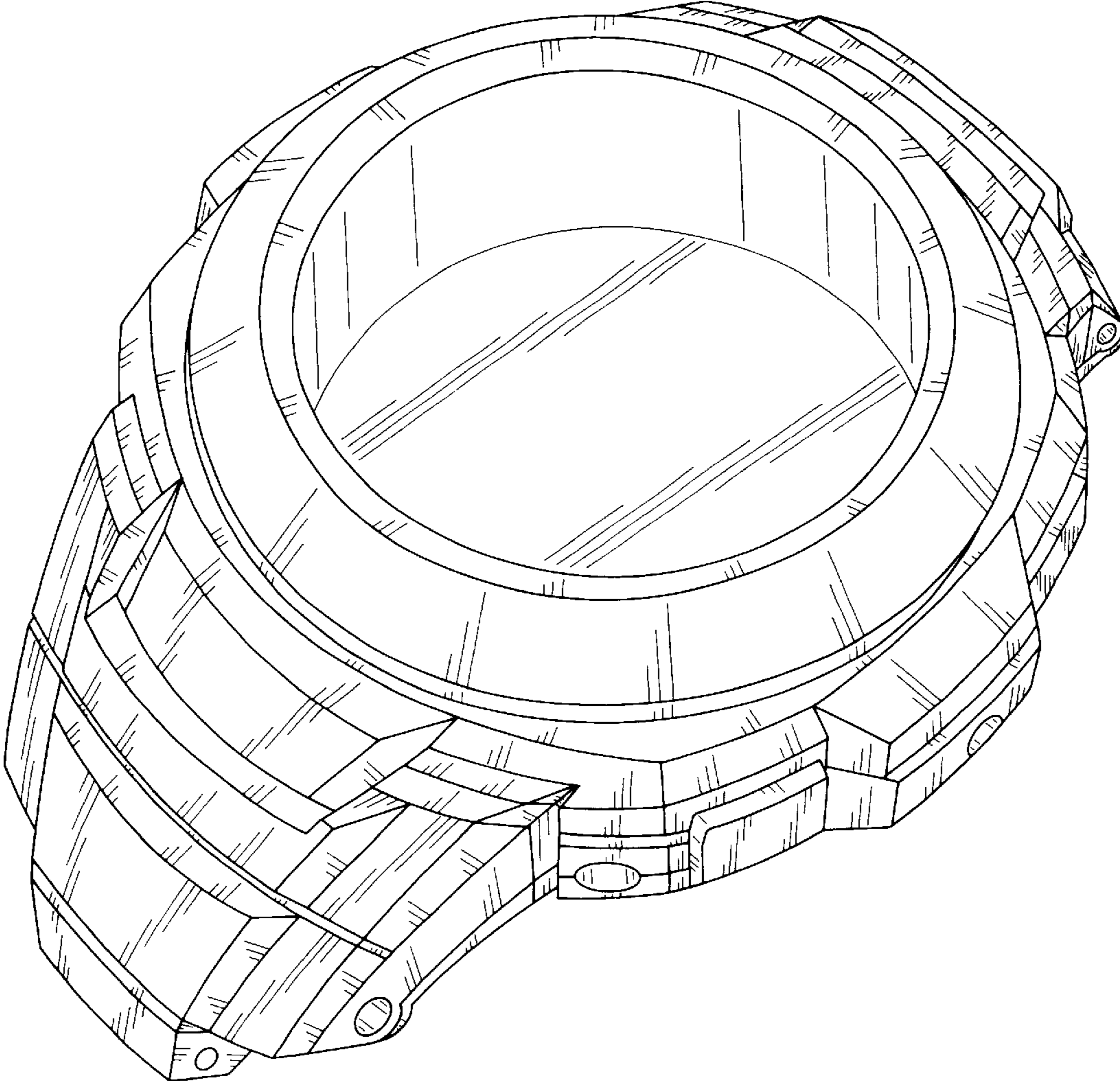


FIG. 1

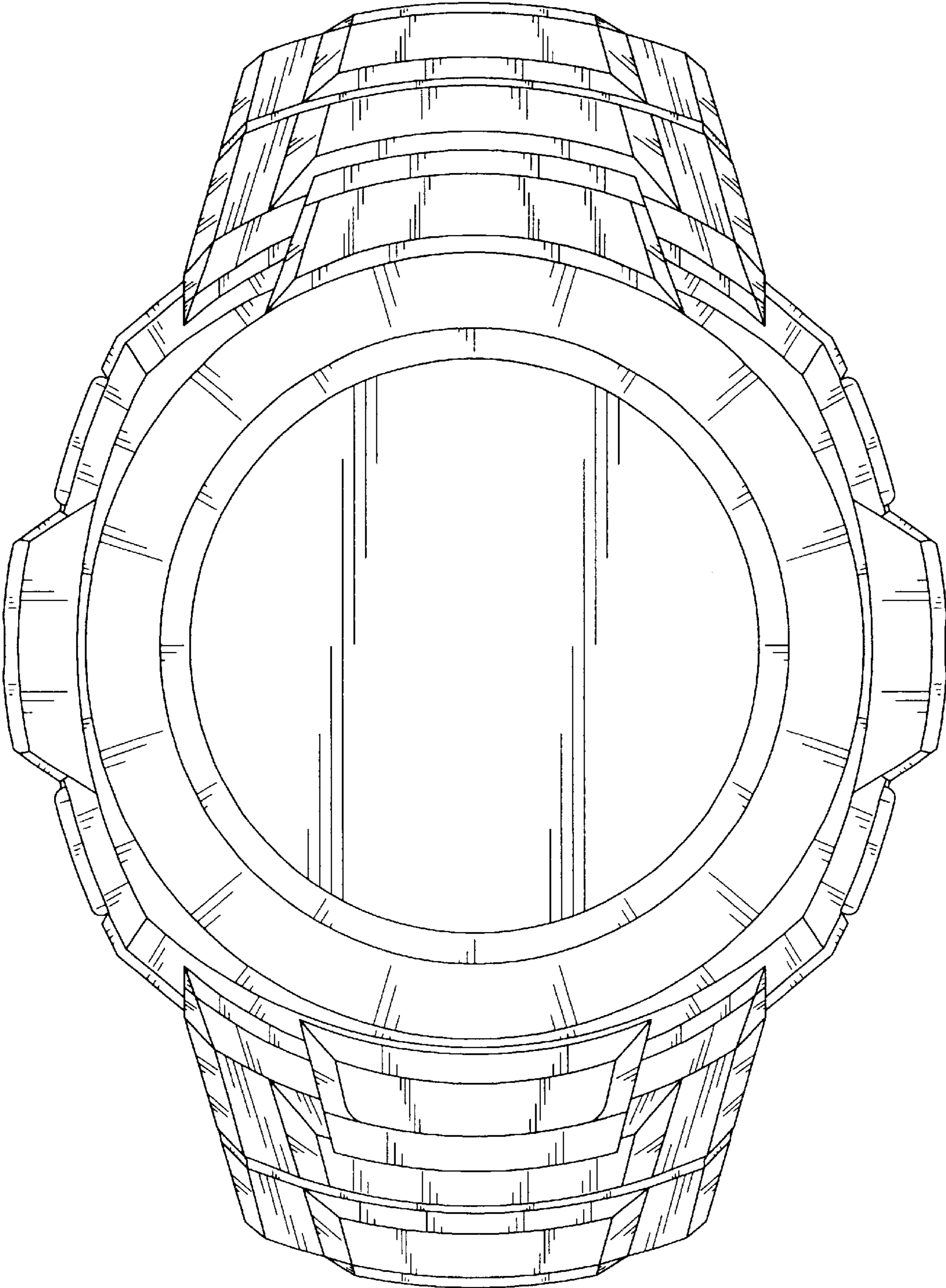


FIG. 2

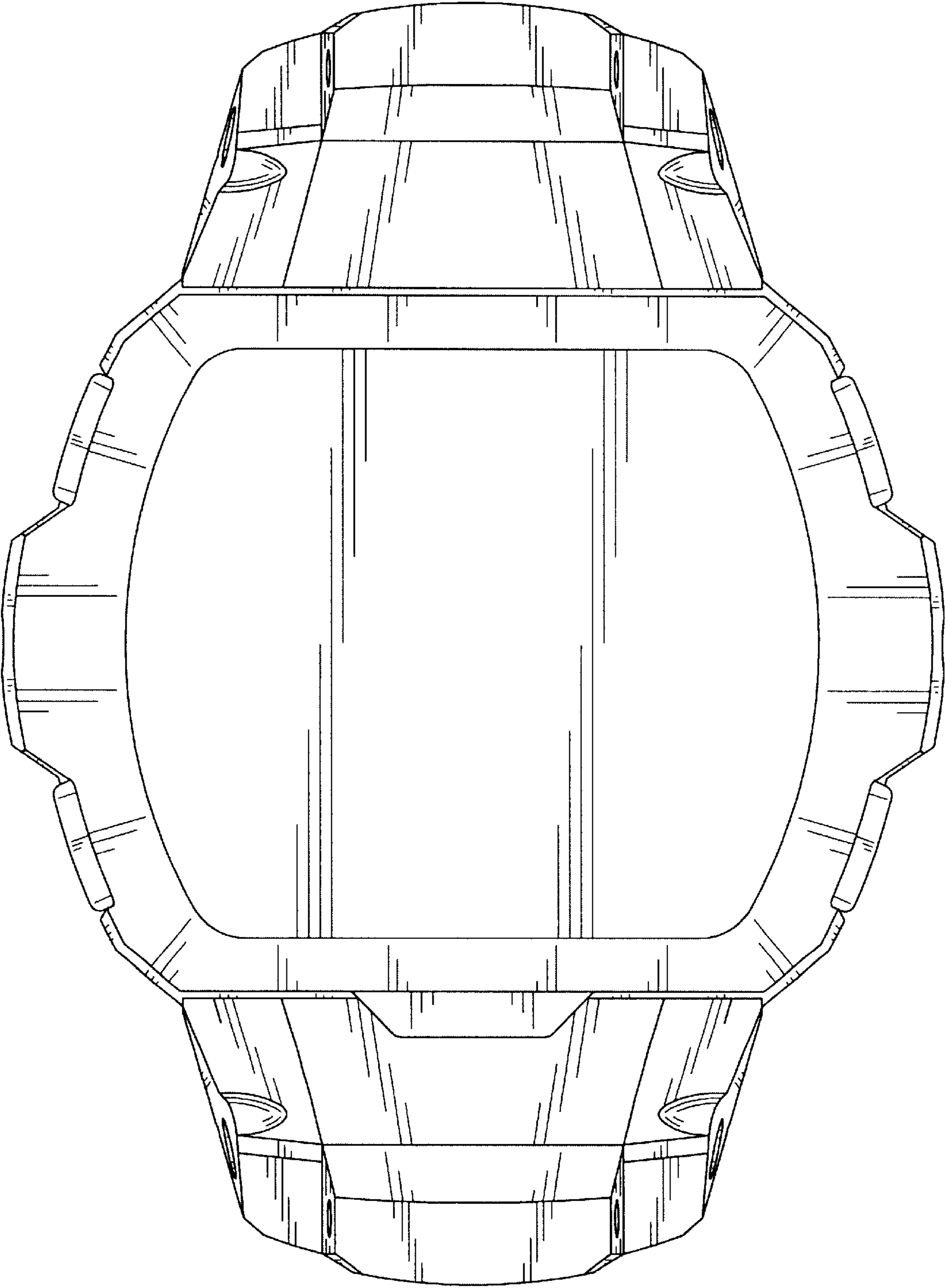


FIG. 3

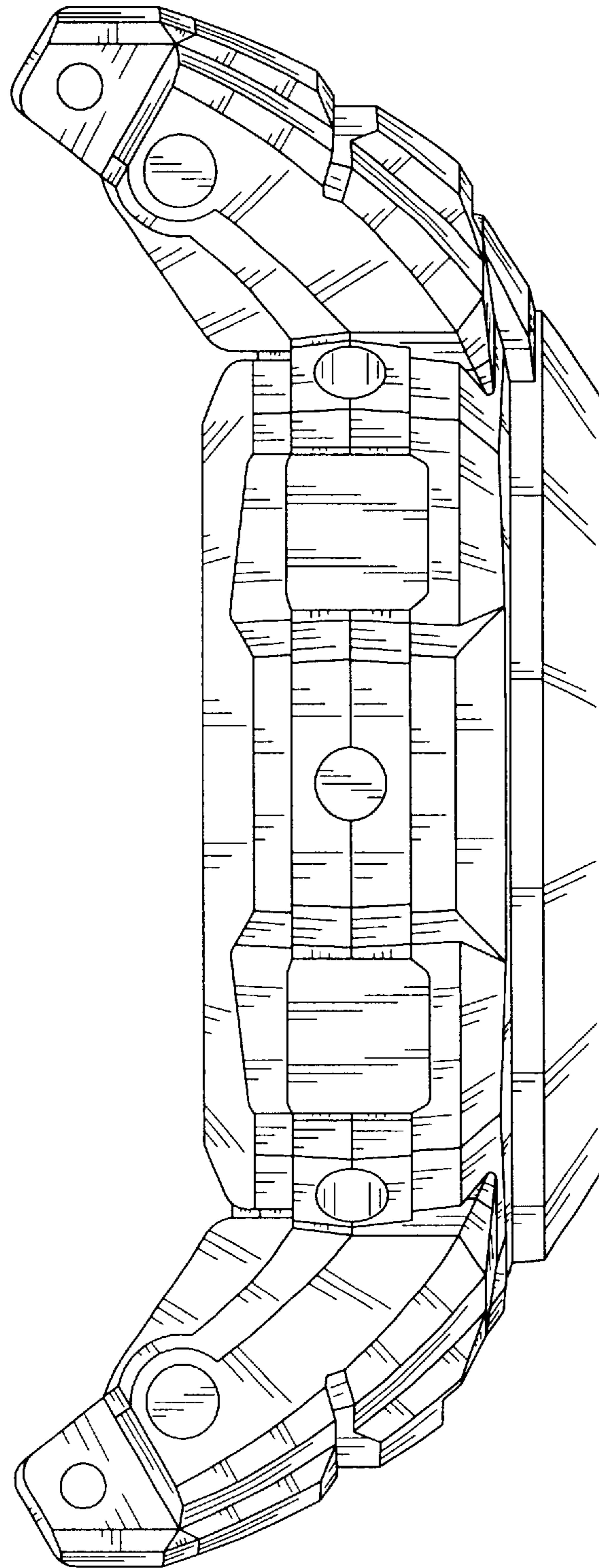


FIG. 4

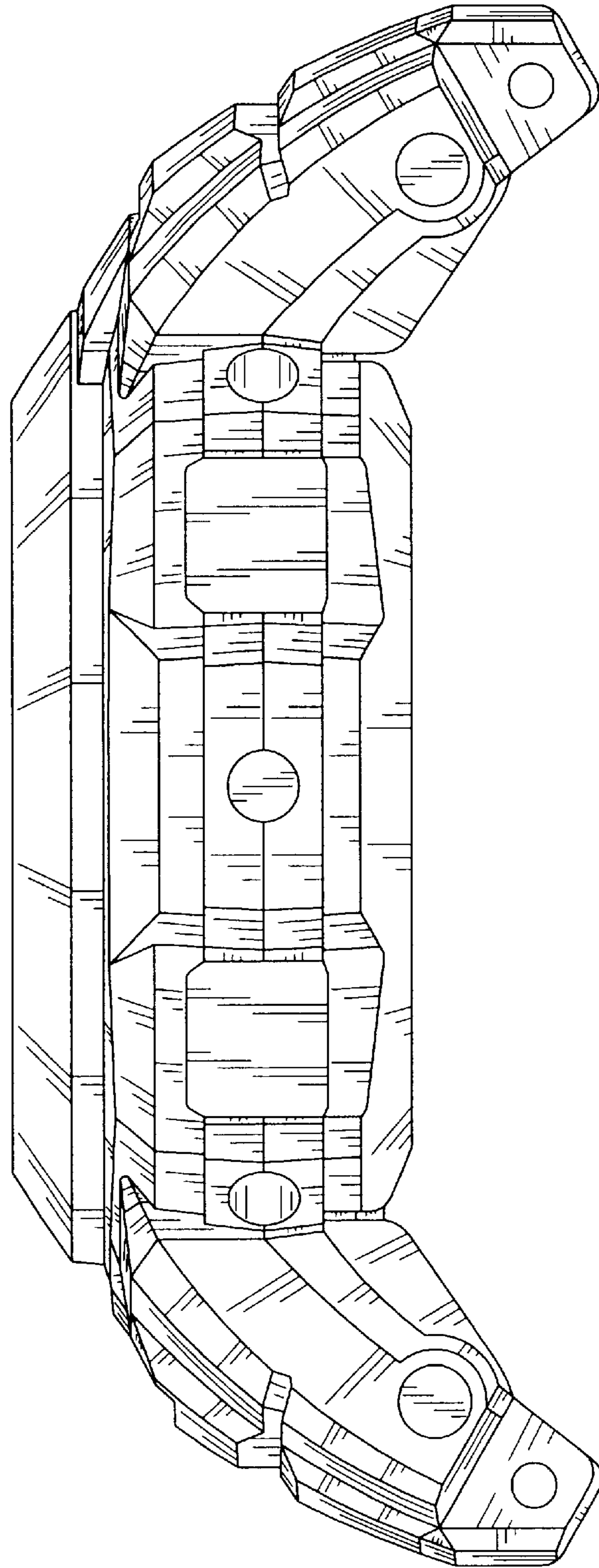


FIG. 5

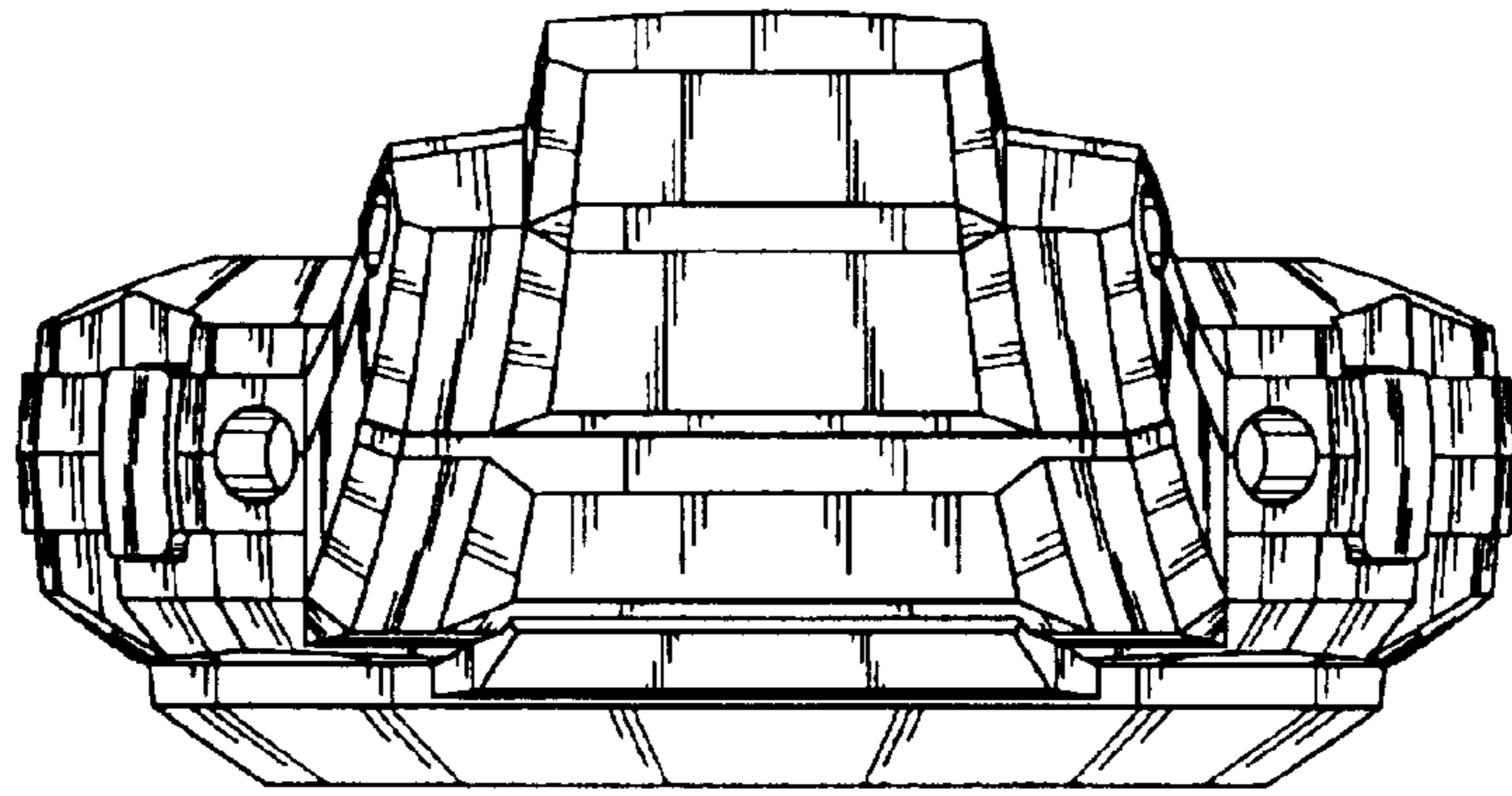


FIG. 6

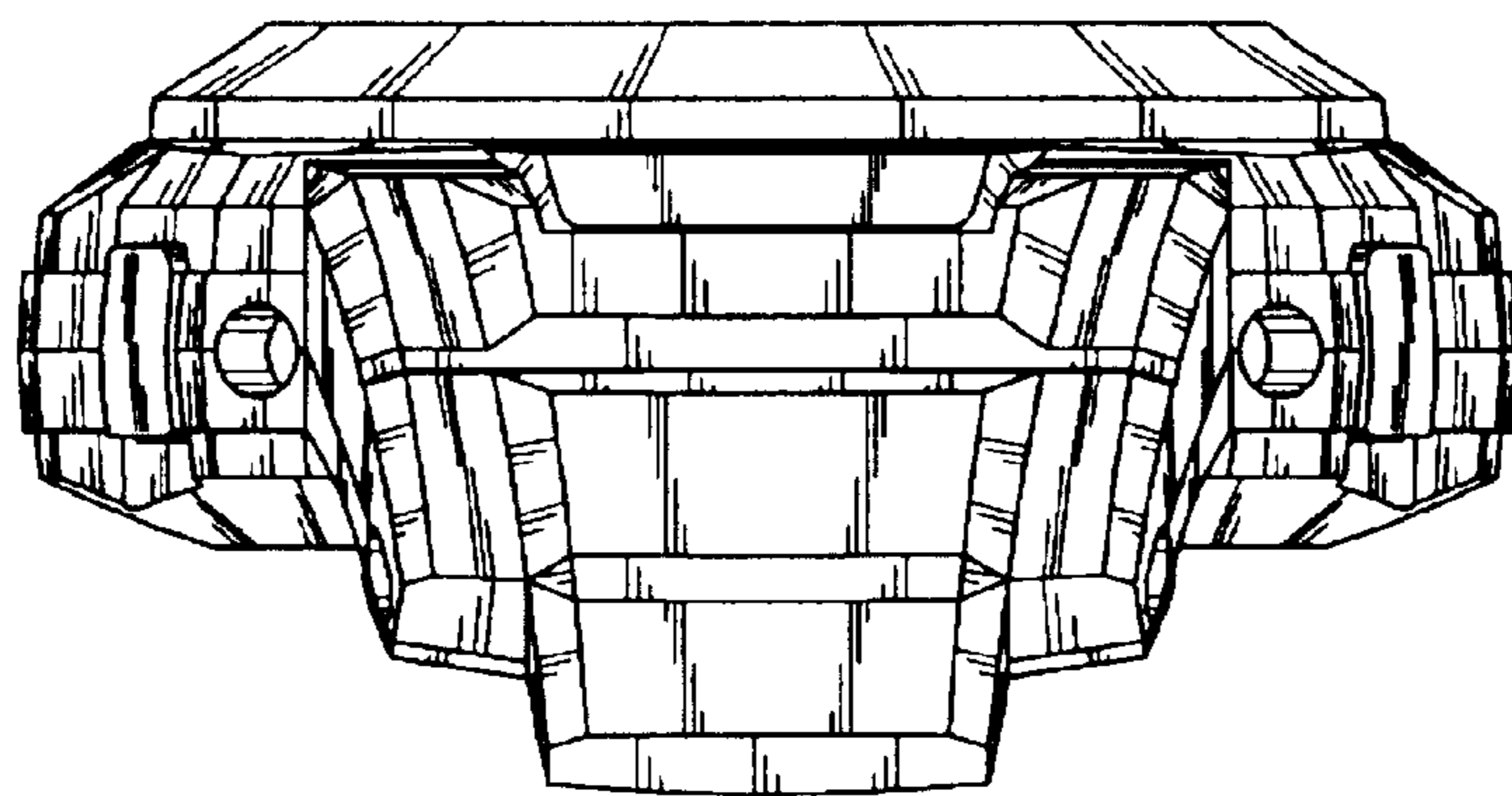


FIG. 7

UNITED STATES PATENT AND TRADEMARK OFFICE  
**CERTIFICATE OF CORRECTION**

PATENT NO. : Des. 526,213 S  
APPLICATION NO. : 29/224142  
DATED : August 8, 2006  
INVENTOR(S) : Ryusuke Moriai et al.

Page 1 of 2

It is certified that error appears in the above-identified patent and that said Letters Patent is hereby corrected as shown below:

Drawings:

Delete Drawing Sheet 6, Consisting of Figures 6 and 7, Replace With Drawing Sheet 6, Consisting of Figures 6 and 7, (Attached).

Signed and Sealed this

Thirteenth Day of March, 2007

A handwritten signature in black ink on a light gray dotted background. The signature reads "Jon W. Dudas" in a cursive style.

JON W. DUDAS

*Director of the United States Patent and Trademark Office*



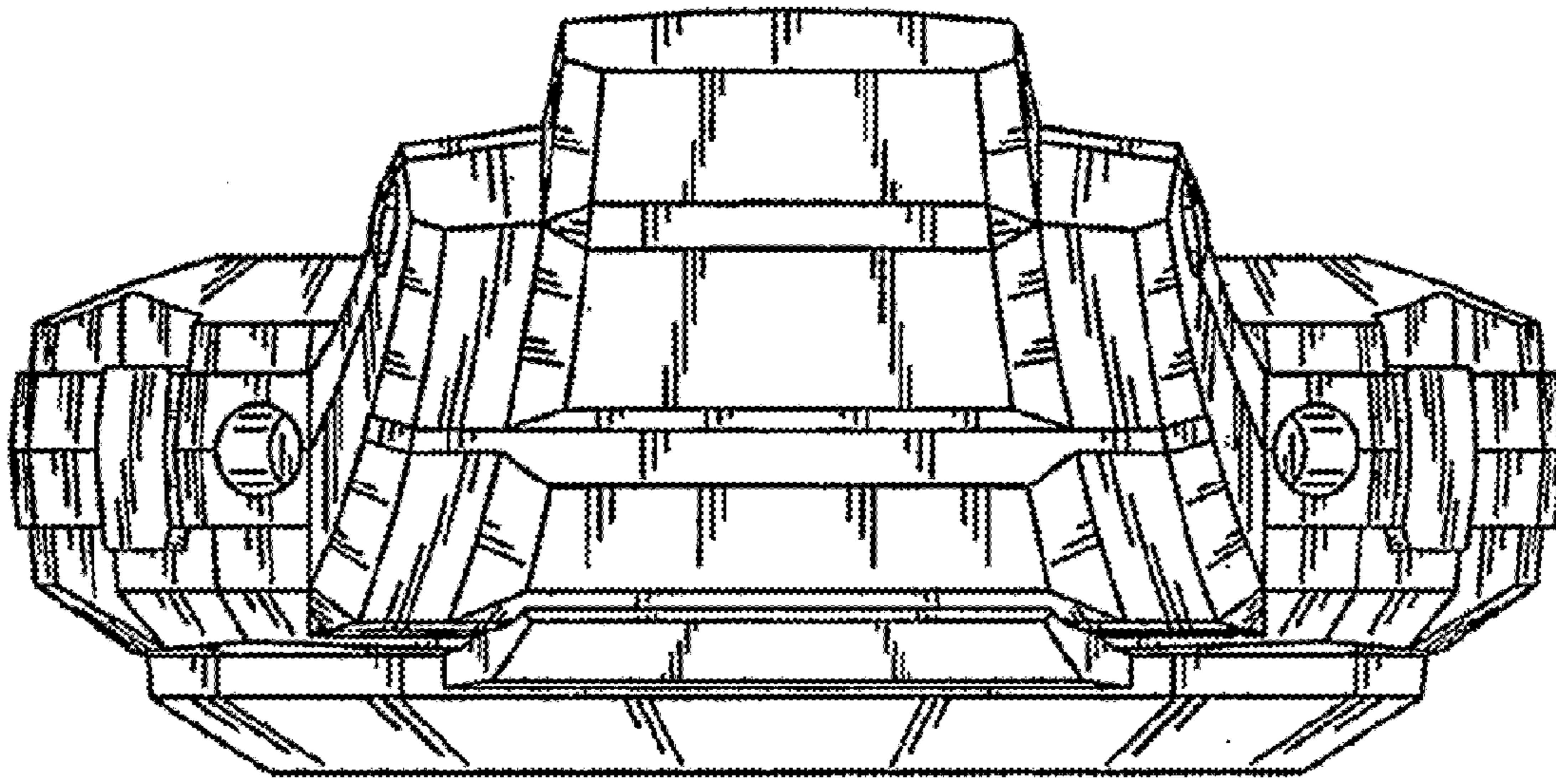


FIG. 6

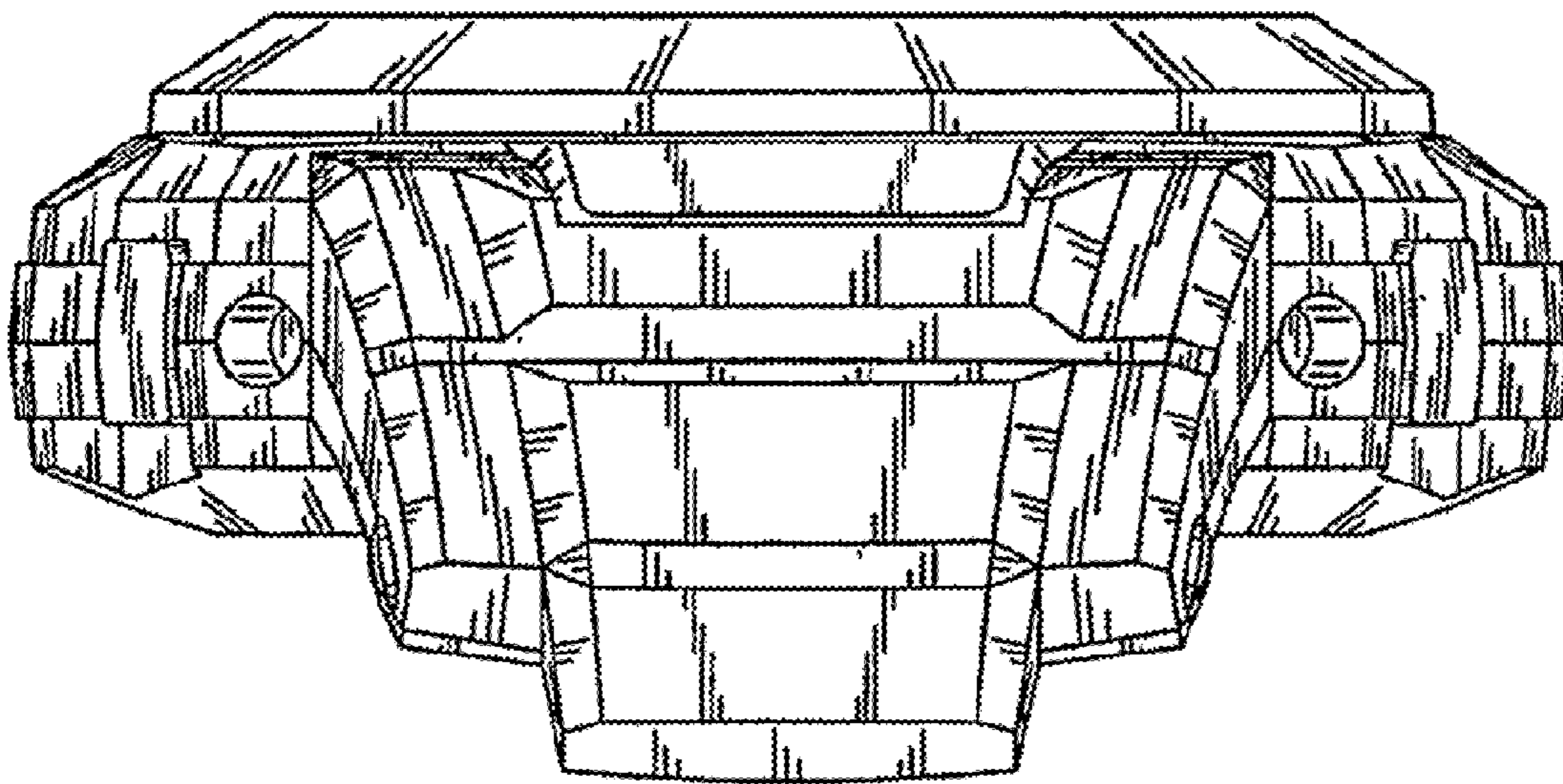


FIG. 7