



US00D526212S

(12) **United States Design Patent**
Faillant-Dumas

(10) **Patent No.:** **US D526,212 S**

(45) **Date of Patent:** **** Aug. 8, 2006**

(54) **FLASK FOR PERFUME**

(75) Inventor: **Jerome Faillant-Dumas**, Paris (FR)

(73) Assignee: **Parfums Nina Ricci**, Paris (FR)

(**) Term: **14 Years**

(21) Appl. No.: **29/218,327**

(22) Filed: **Dec. 1, 2004**

(51) **LOC (8) Cl.** **09-01**

(52) **U.S. Cl.** **D9/694**

(58) **Field of Classification Search** D9/516,
D9/520, 523, 544, 571, 573, 682, 683, 685-687,
D9/694, 569, 589

See application file for complete search history.

(56) **References Cited**

U.S. PATENT DOCUMENTS

D141,775 S	*	7/1945	Buckingham	D9/544
D155,040 S	*	8/1949	Serra	D9/544
D234,915 S	*	4/1975	Freedman	D9/572
D272,603 S	*	2/1984	Dinand	D9/544
D309,860 S	*	8/1990	Fossati	D9/687
D322,399 S	*	12/1991	Cromer	D9/544
D324,820 S	*	3/1992	Hayman et al.	D9/544
D347,794 S	*	6/1994	Lewis	D9/564
D381,275 S	*	7/1997	Lecoule	D9/572

D412,283 S	*	7/1999	de Baschmakoff	D9/544
D463,746 S	*	10/2002	de Baschmakoff	D9/500
D499,028 S	*	11/2004	Faillant-Dumas	D9/544

OTHER PUBLICATIONS

Http://www.Nordstrom.com.: Fragrance collection print outs, Feb. 17, 2005, 5 pages.*

* cited by examiner

Primary Examiner—Stella Reid

Assistant Examiner—Rashida C. McCoy

(74) *Attorney, Agent, or Firm*—Mathews, Shepherd, McKay & Bruneau, P.A.

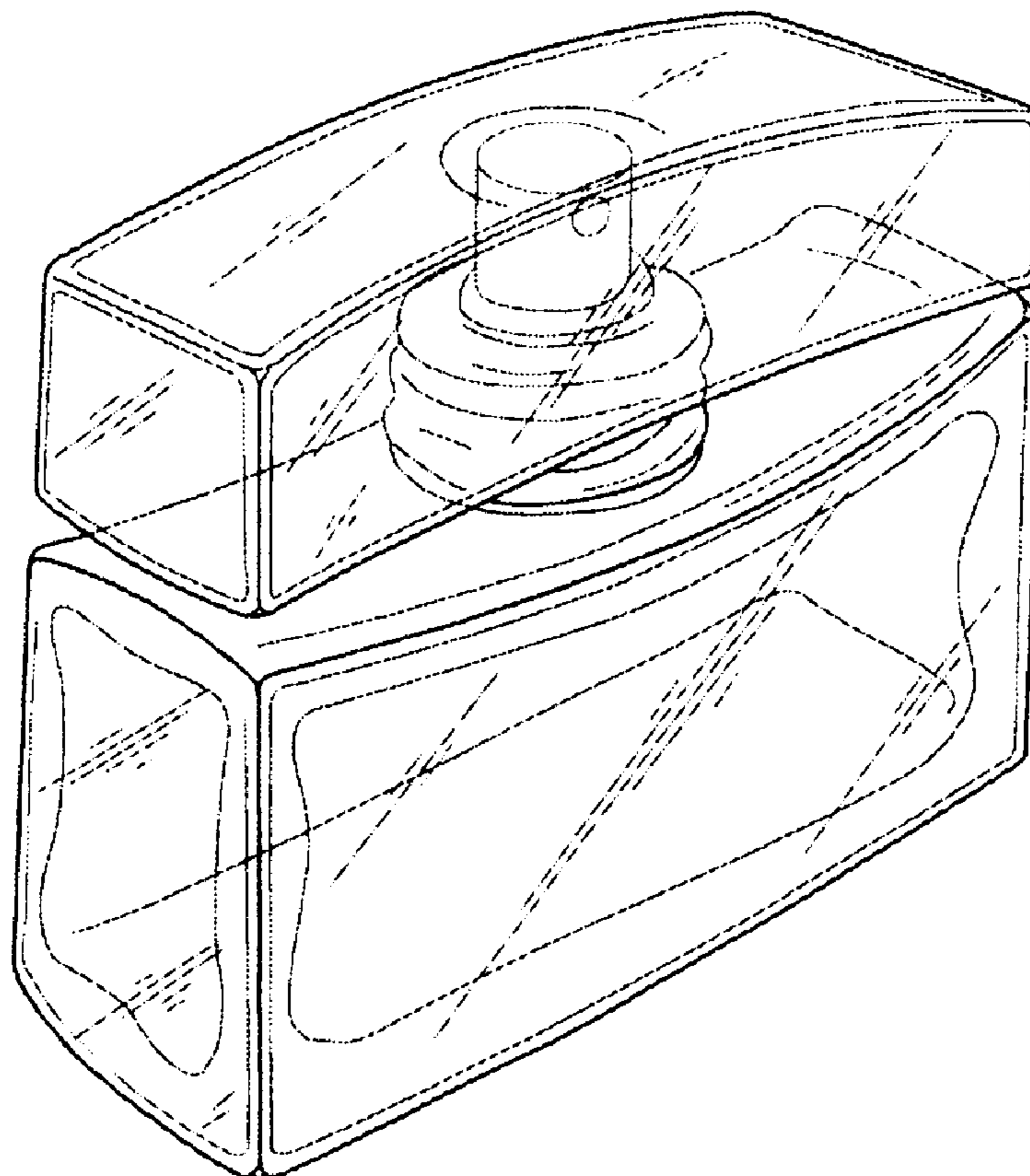
(57) **CLAIM**

I claim, the ornamental design for a flask for perfume, as shown and described.

DESCRIPTION

FIG. 1 is a perspective view, showing our new design; FIG. 2 is a front elevational view thereof; FIG. 3 is a side elevational view thereof; FIG. 4 is a rear elevational view thereof; FIG. 5 is a side view thereof from the opposite side shown in FIG. 3; FIG. 6 is a top plan view thereof; and, FIG. 7 is a bottom plan view thereof.

1 Claim, 2 Drawing Sheets



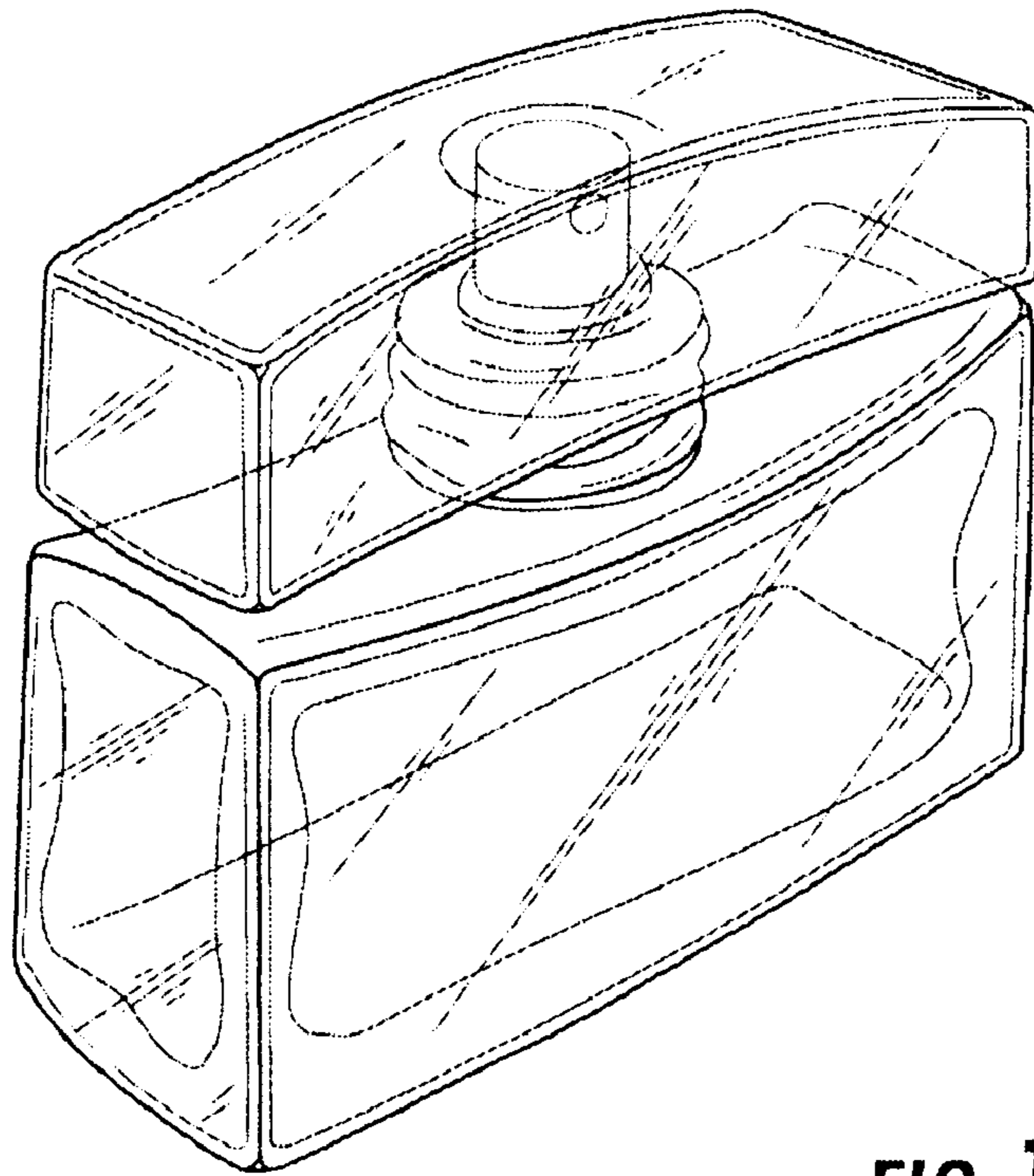


FIG. 1

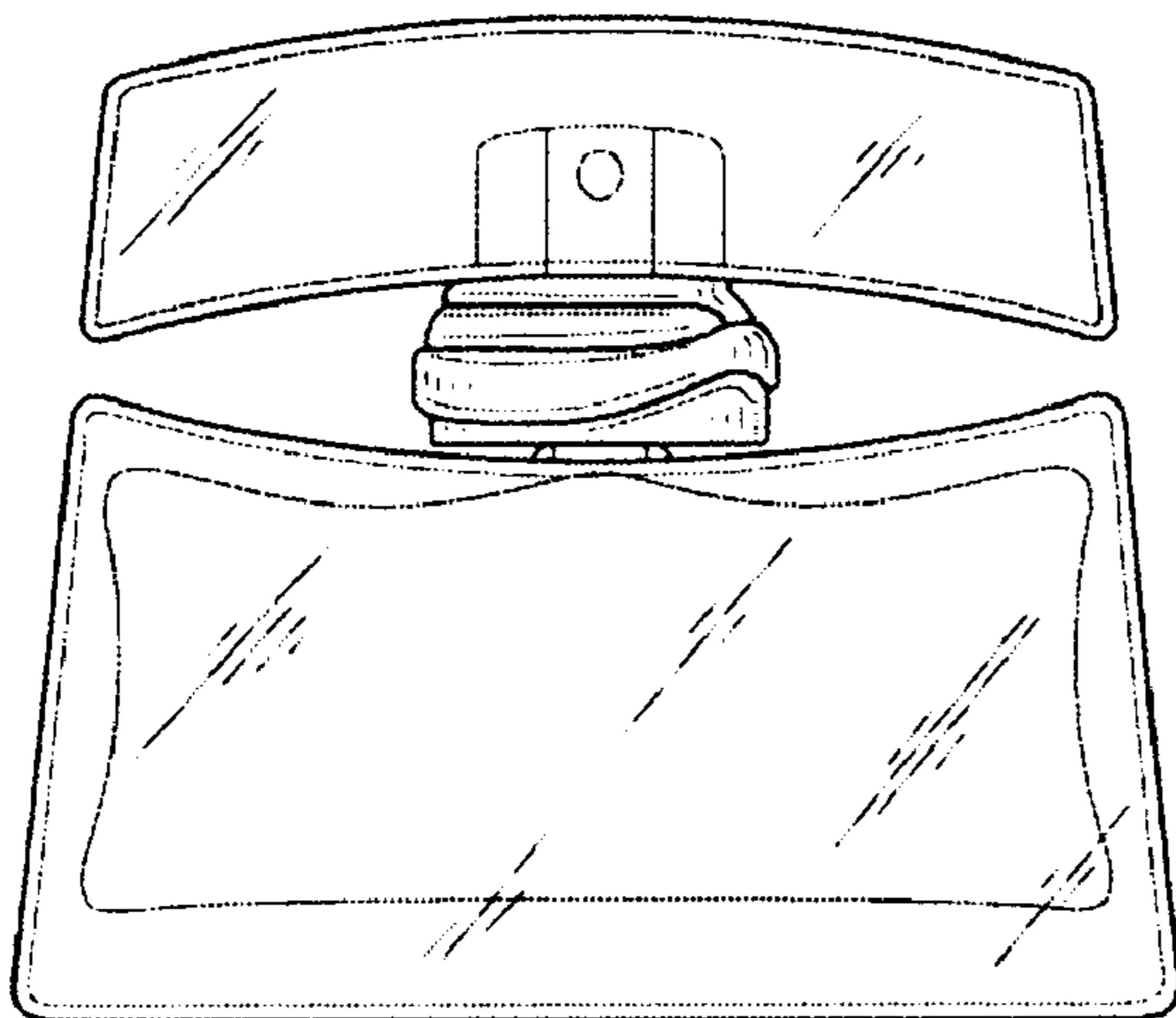


FIG. 2

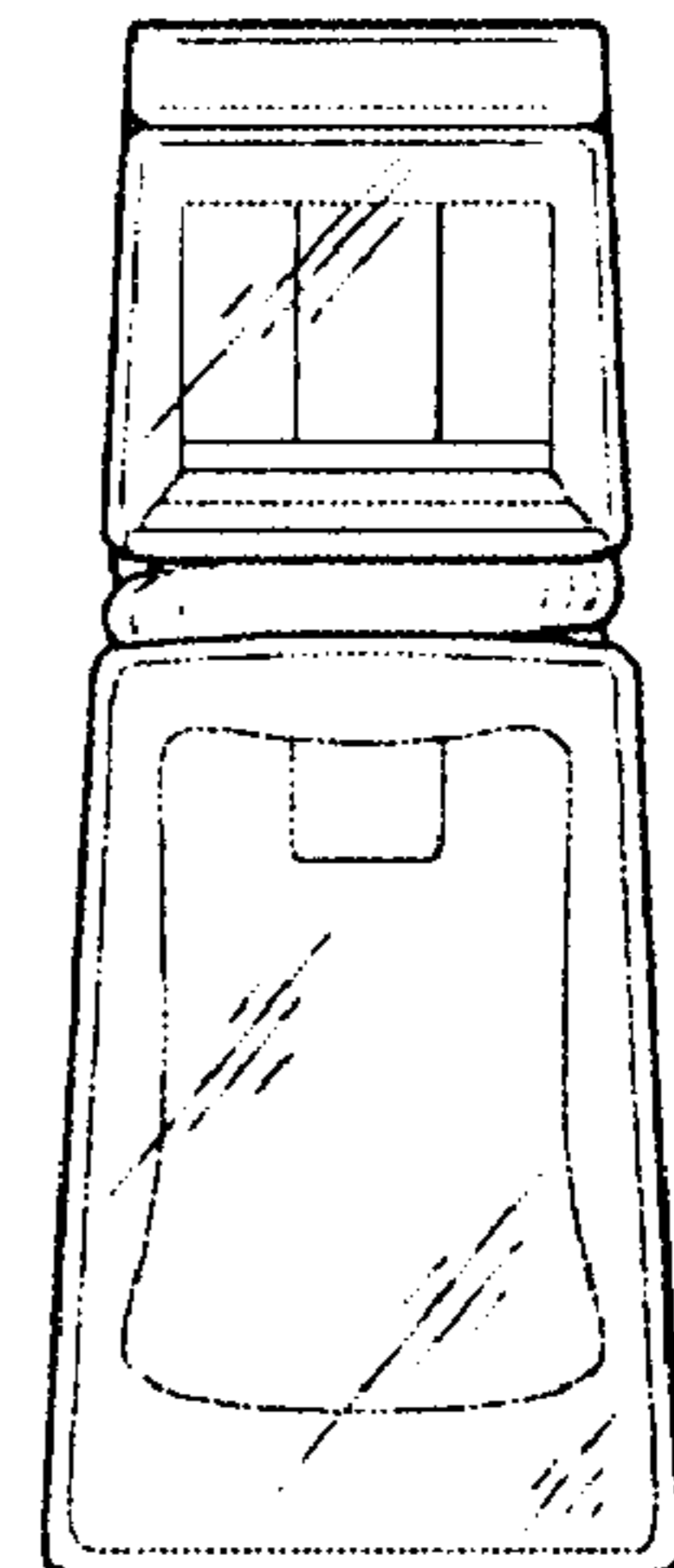


FIG. 3

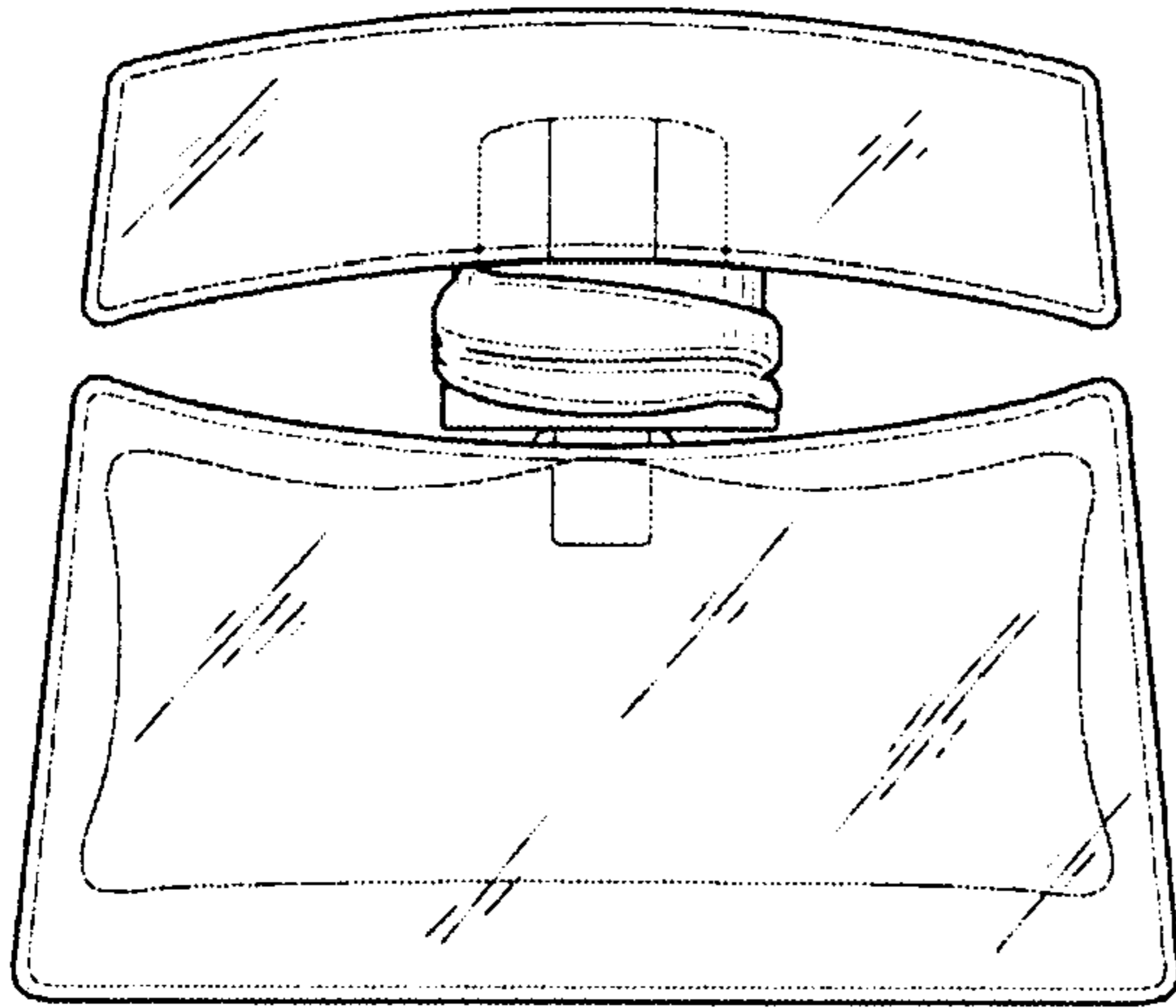


FIG. 4

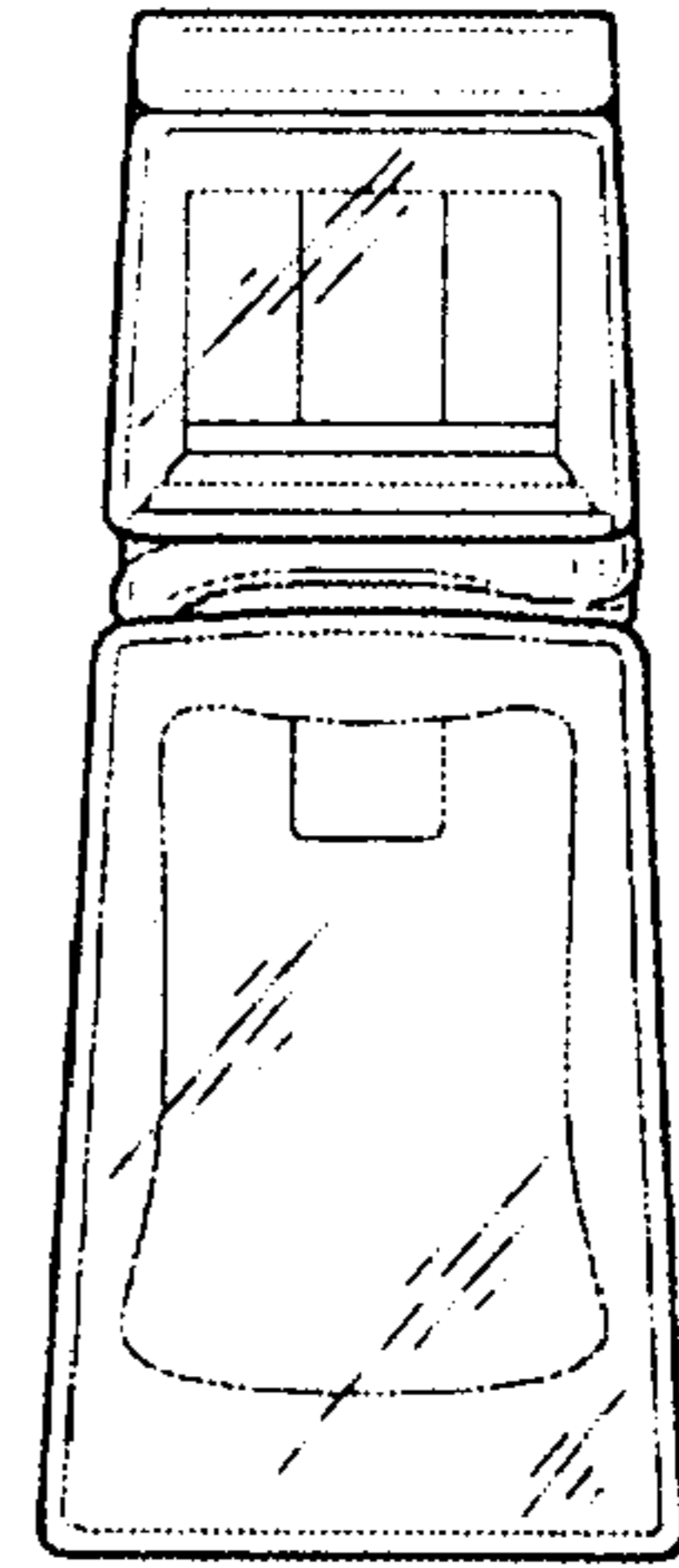


FIG. 5

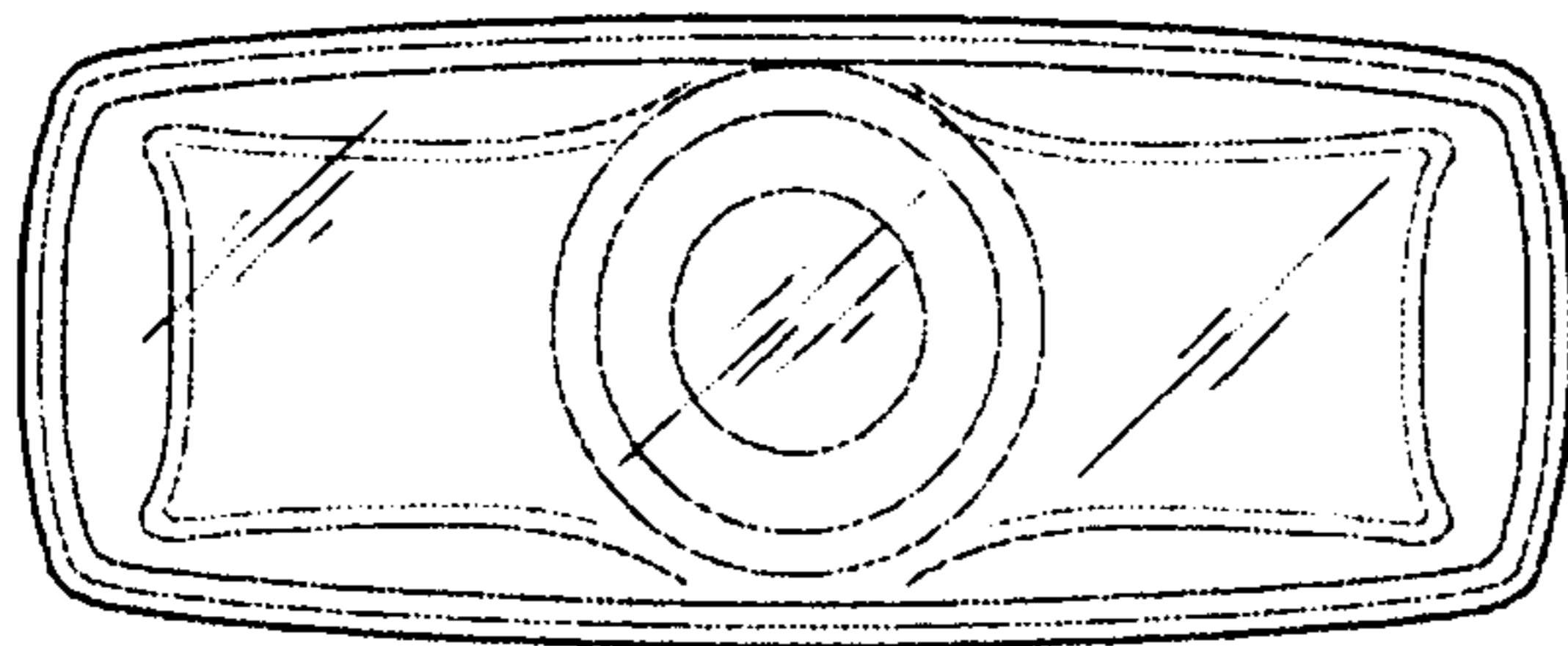


FIG. 6

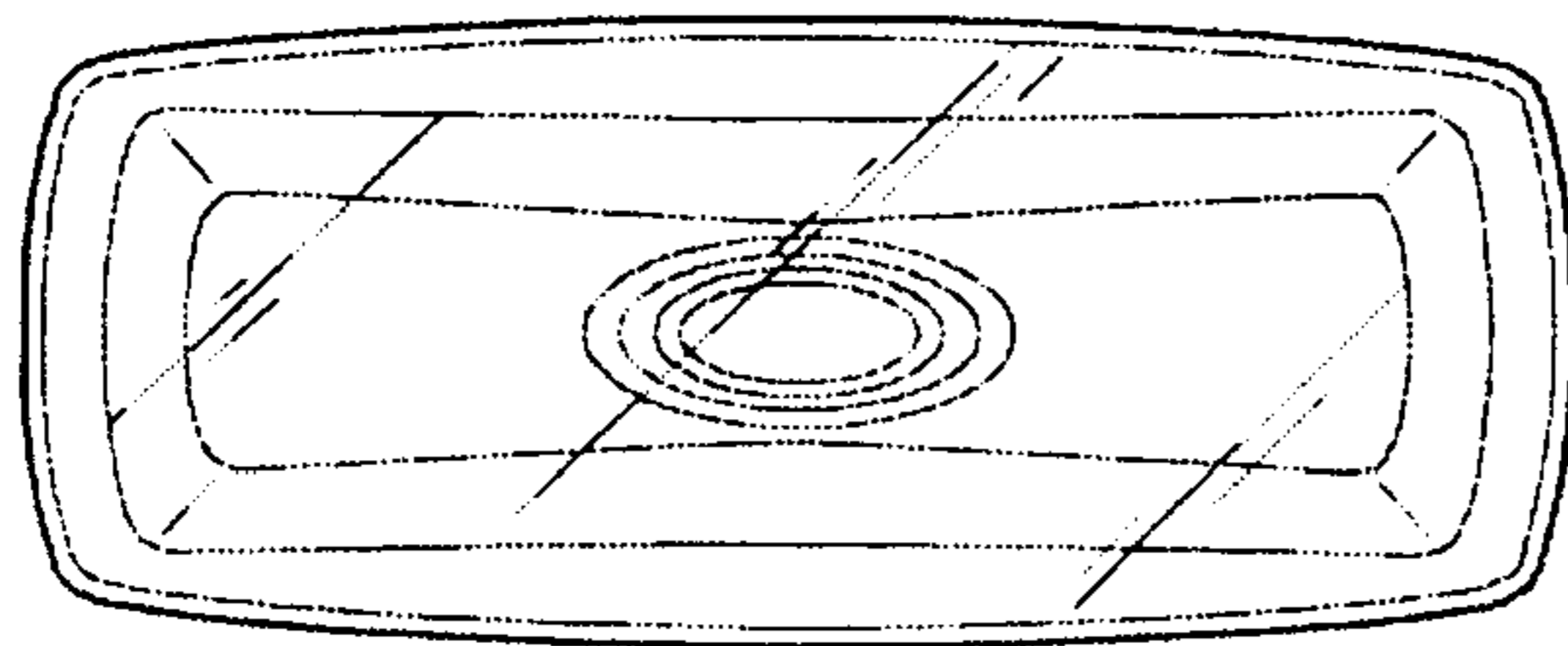


FIG. 7