



US00D526199S

(12) **United States Design Patent**
Darr et al.

(10) **Patent No.:** **US D526,199 S**
(45) **Date of Patent:** **** Aug. 8, 2006**

(54) **CONTAINER**

(75) Inventors: **Richard C. Darr**, Medina, OH (US);
James C. Dorn, Norton, OH (US);
Richard A. Lovelace, Jr., Cuyanoga Falls, OH (US)

(73) Assignee: **Plastipak Packaging, Inc.**, Plymouth, MI (US)

(**) Term: **14 Years**

(21) Appl. No.: **29/231,749**

(22) Filed: **Jun. 9, 2005**

Related U.S. Application Data

(63) Continuation-in-part of application No. 10/894,378, filed on Jul. 19, 2004, now Pat. No. 6,932,228, which is a continuation-in-part of application No. 29/204,429, filed on Apr. 29, 2004.

(51) **LOC (8) Cl.** **09-01**

(52) **U.S. Cl.** **D9/520; D9/564; D9/570; D9/571; D9/574; D9/745**

(58) **Field of Classification Search** D9/500, D9/502, 516, 520, 523, 526, 528, 530-531, D9/534, 538-543, 549-554, 557-560, 562-567, D9/569-575, 636, 643, 645, 655, 657-658, D9/661, 664, 684, 738-747; 215/10, 381-384, 215/396, 398; 220/23.4

See application file for complete search history.

(56) **References Cited**

U.S. PATENT DOCUMENTS

3,369,658 A * 2/1968 Hasselmann 220/23.4 X
4,308,955 A * 1/1982 Schieser et al. 215/10 X
D264,942 S * 6/1982 Schieser et al. D9/563
D280,709 S * 9/1985 Waring D9/523 X
D312,398 S * 11/1990 Neto D9/570 X
5,002,199 A * 3/1991 Frahm 215/10 X

D327,219 S * 6/1992 Hestehave et al. D9/530
D400,794 S * 11/1998 Takeuchi et al. D9/570 X
6,588,612 B1 * 7/2003 Dorn et al. 215/10
6,857,531 B1 * 2/2005 Slat et al. 215/382
D502,405 S * 3/2005 Dorn et al. D9/551
D504,321 S * 4/2005 Slat et al. D9/550
D509,145 S * 9/2005 Dorn et al. D9/550
D514,947 S * 2/2006 Darr et al. D9/550

* cited by examiner

Primary Examiner—Carol Rademaker

(74) *Attorney, Agent, or Firm*—Robert H. Bachman

(57) **CLAIM**

The ornamental design for a container, as shown and described.

DESCRIPTION

FIG. 1 is a perspective view of the container of the present invention showing the top, front, and right side;

FIG. 2 is a perspective view of the container showing the top, rear and left side;

FIG. 3 is a left side elevational view thereof;

FIG. 4 is a front elevational view thereof;

FIG. 5 is a right side elevational view thereof;

FIG. 6 is a rear elevational view thereof;

FIG. 7 is a top plan view thereof;

FIG. 8 is a bottom plan view thereof;

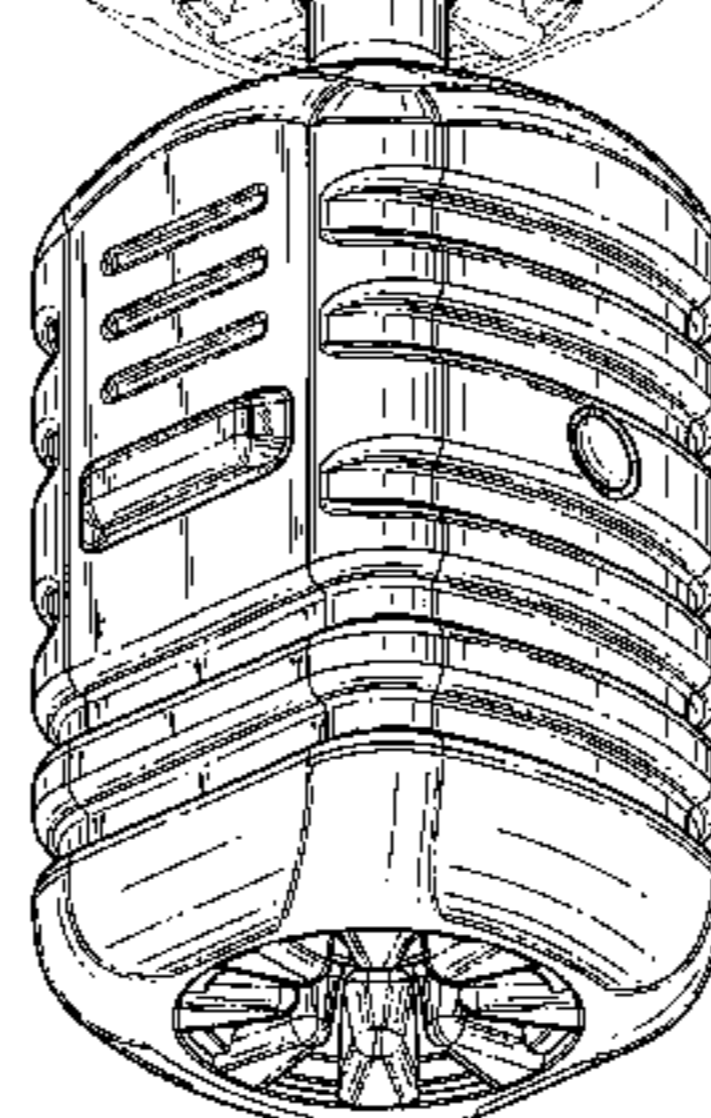
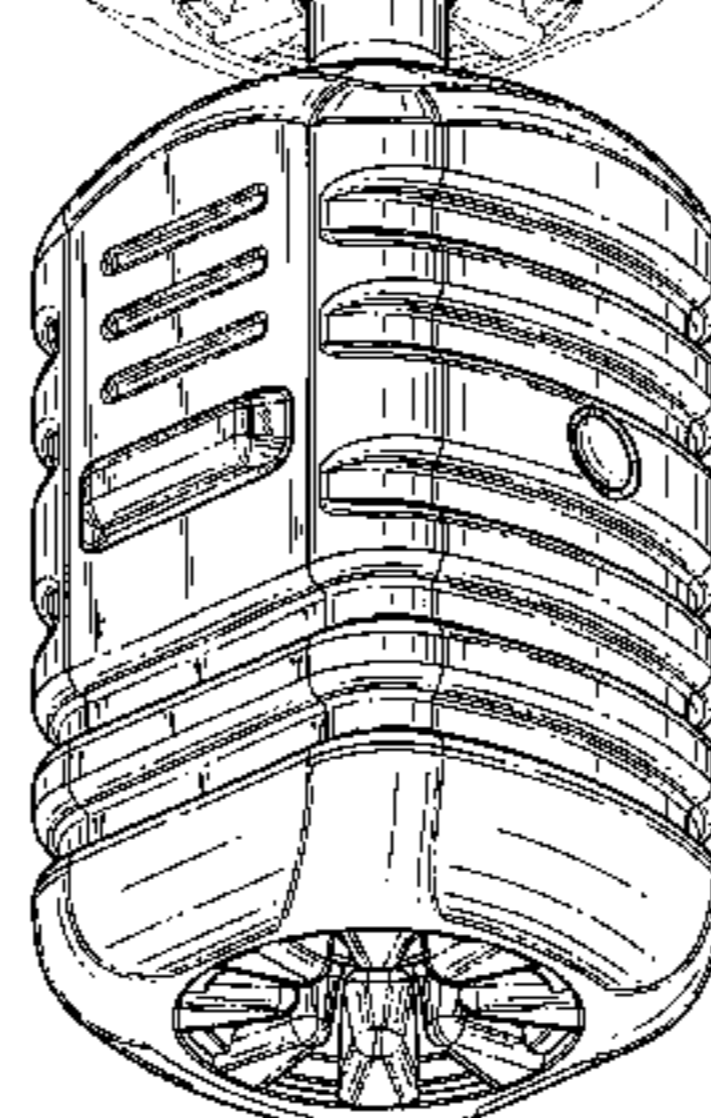
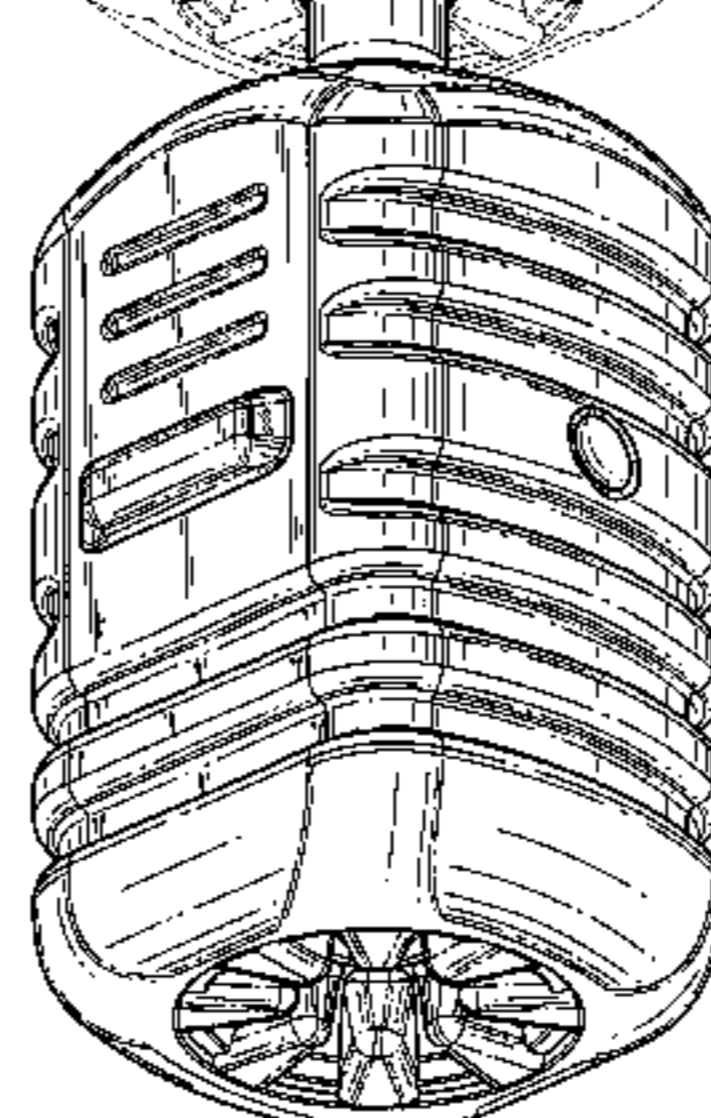
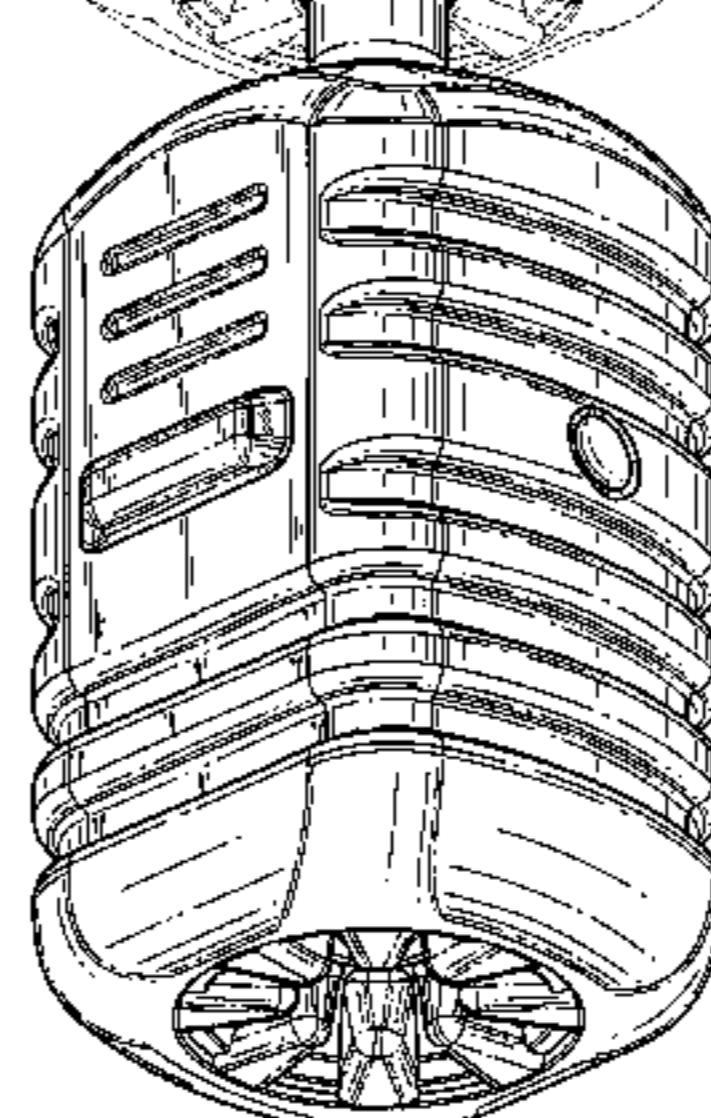
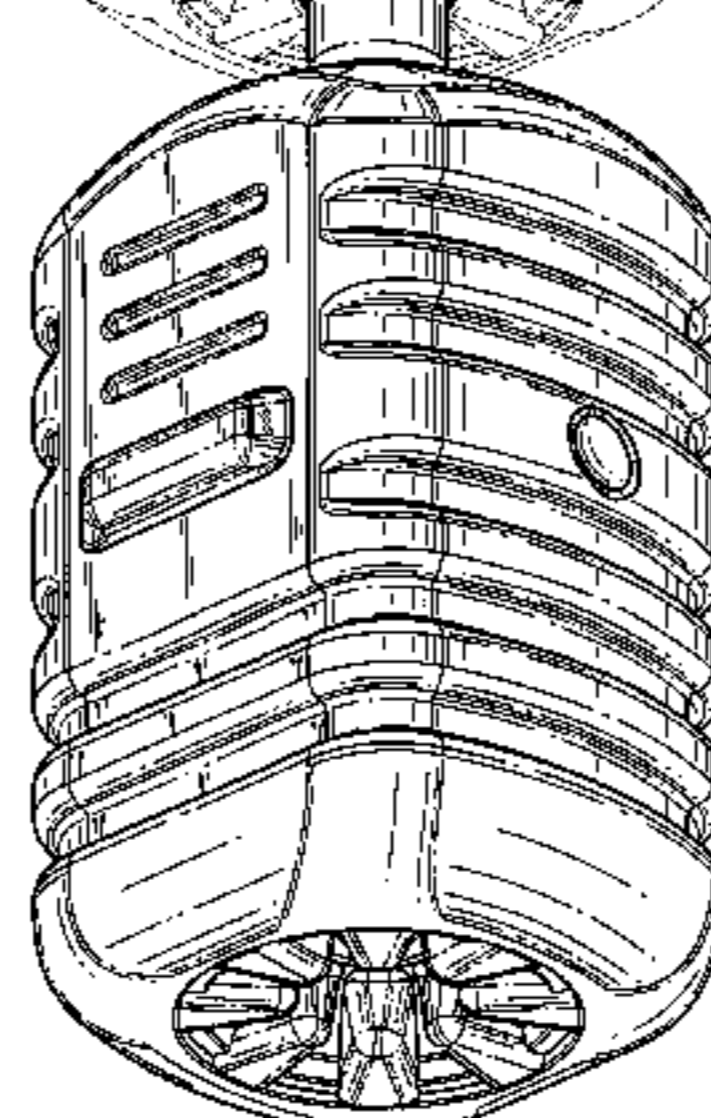
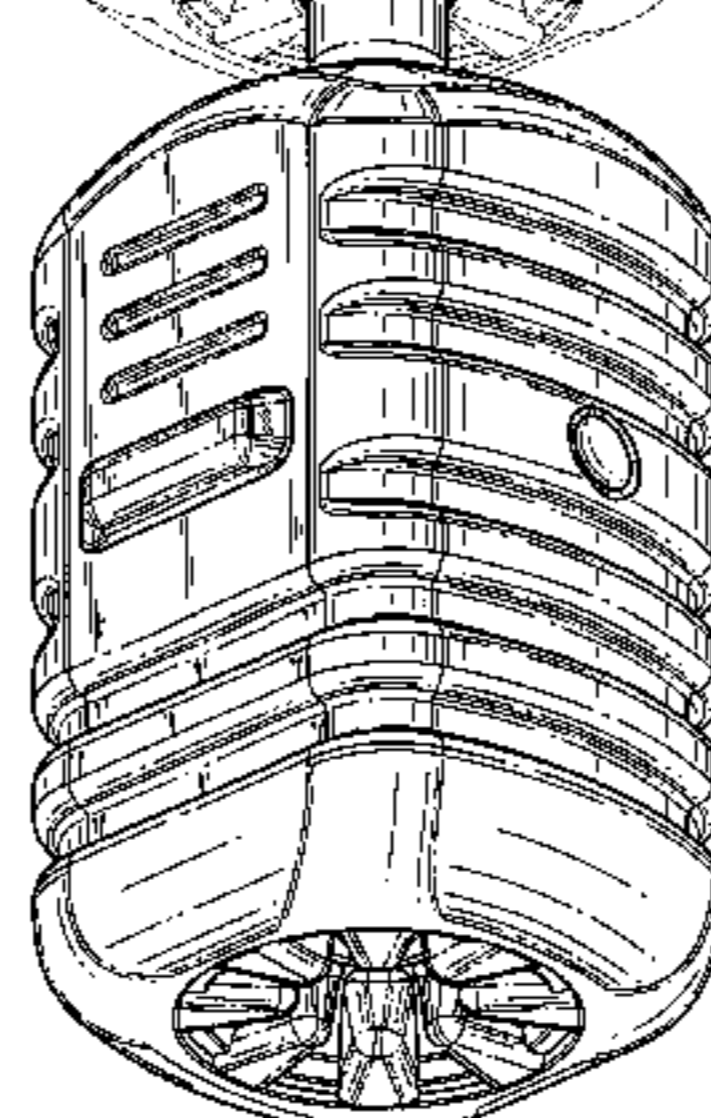
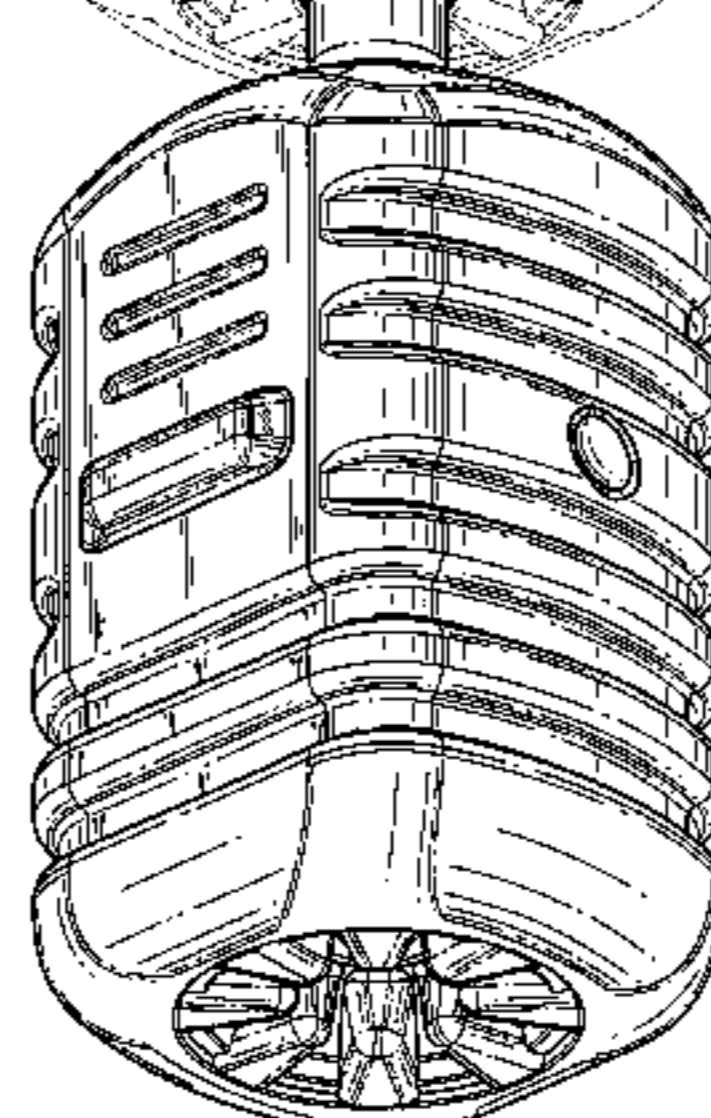
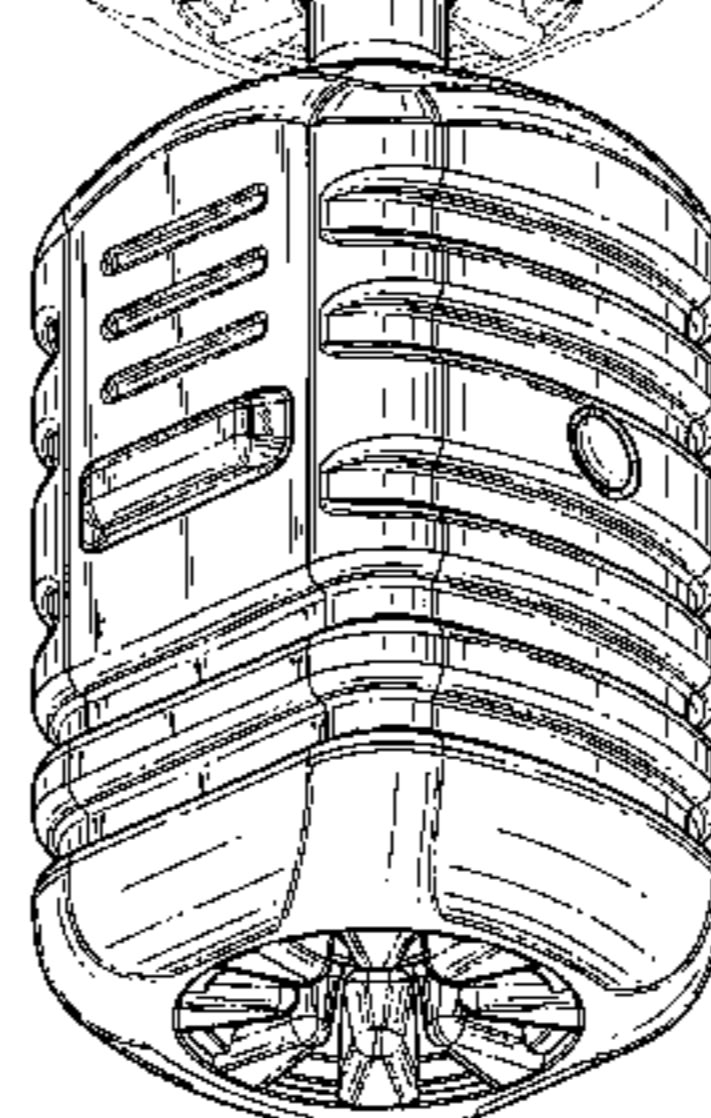
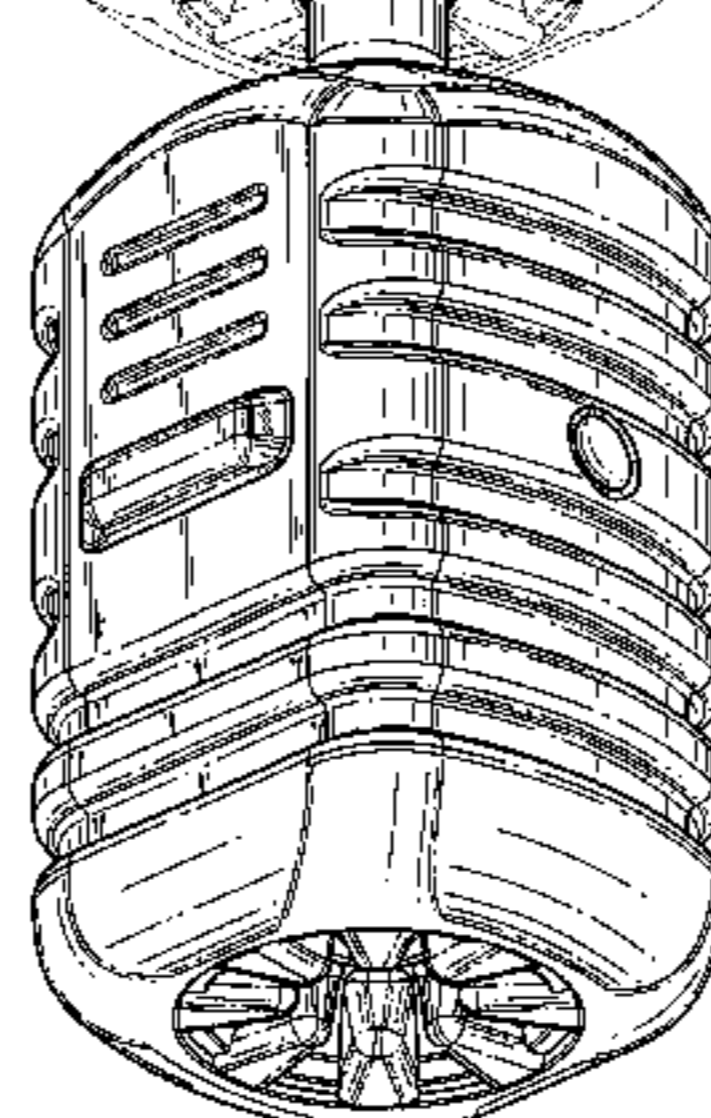
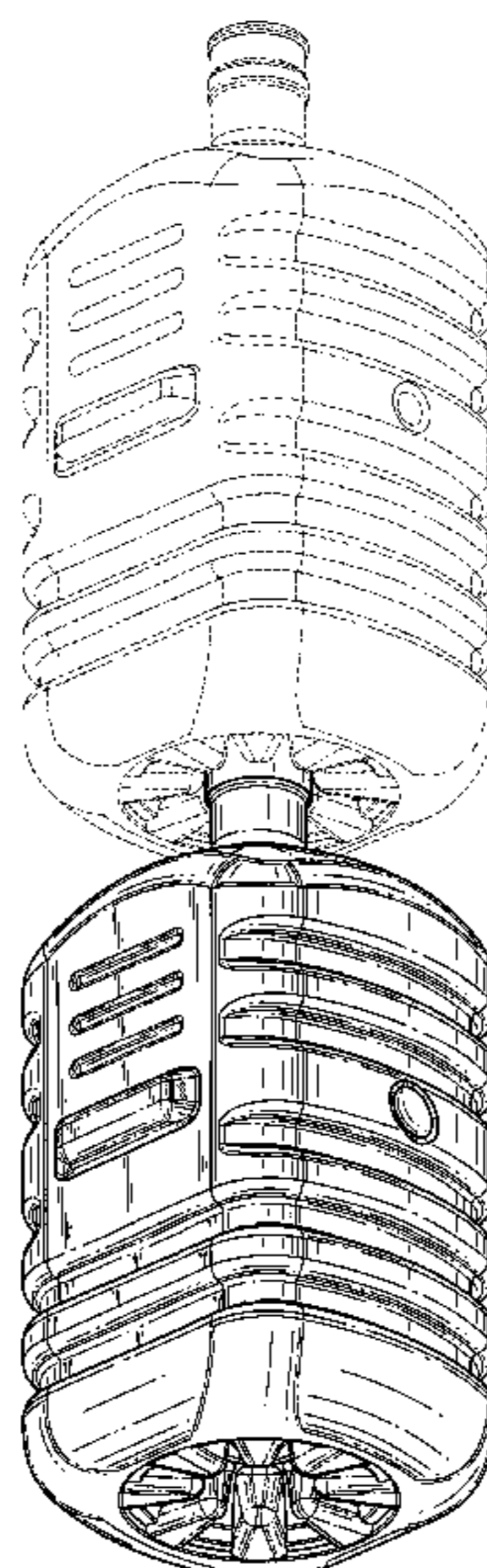
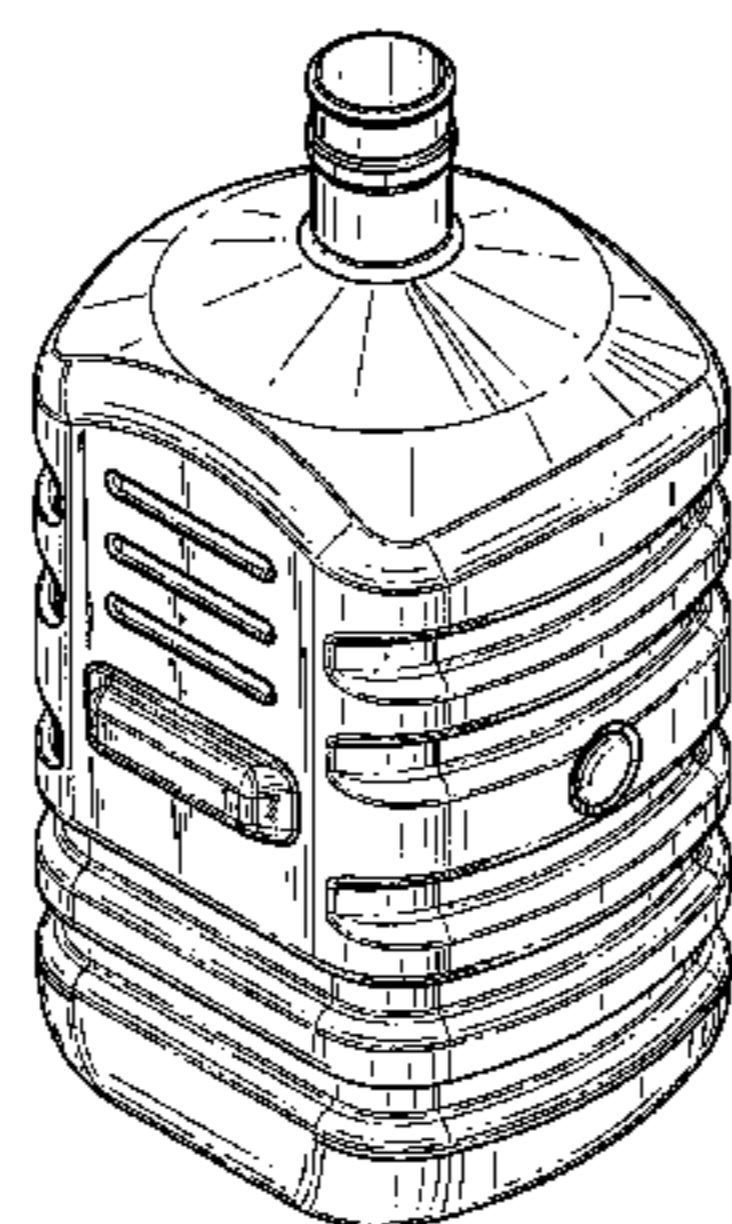
FIG. 9 is a perspective view showing the container and environment of additional containers to show how the container can be stacked top to bottom;

FIG. 10 is a perspective view showing the container and environment of additional containers to show how the container can be stacked side to side; and,

FIG. 11 is a perspective view showing the container and environment of one additional container to show how two containers can be stacked top to bottom.

The broken lines shown in the drawings are for illustrative purposes only and form no part of the claimed design.

1 Claim, 7 Drawing Sheets



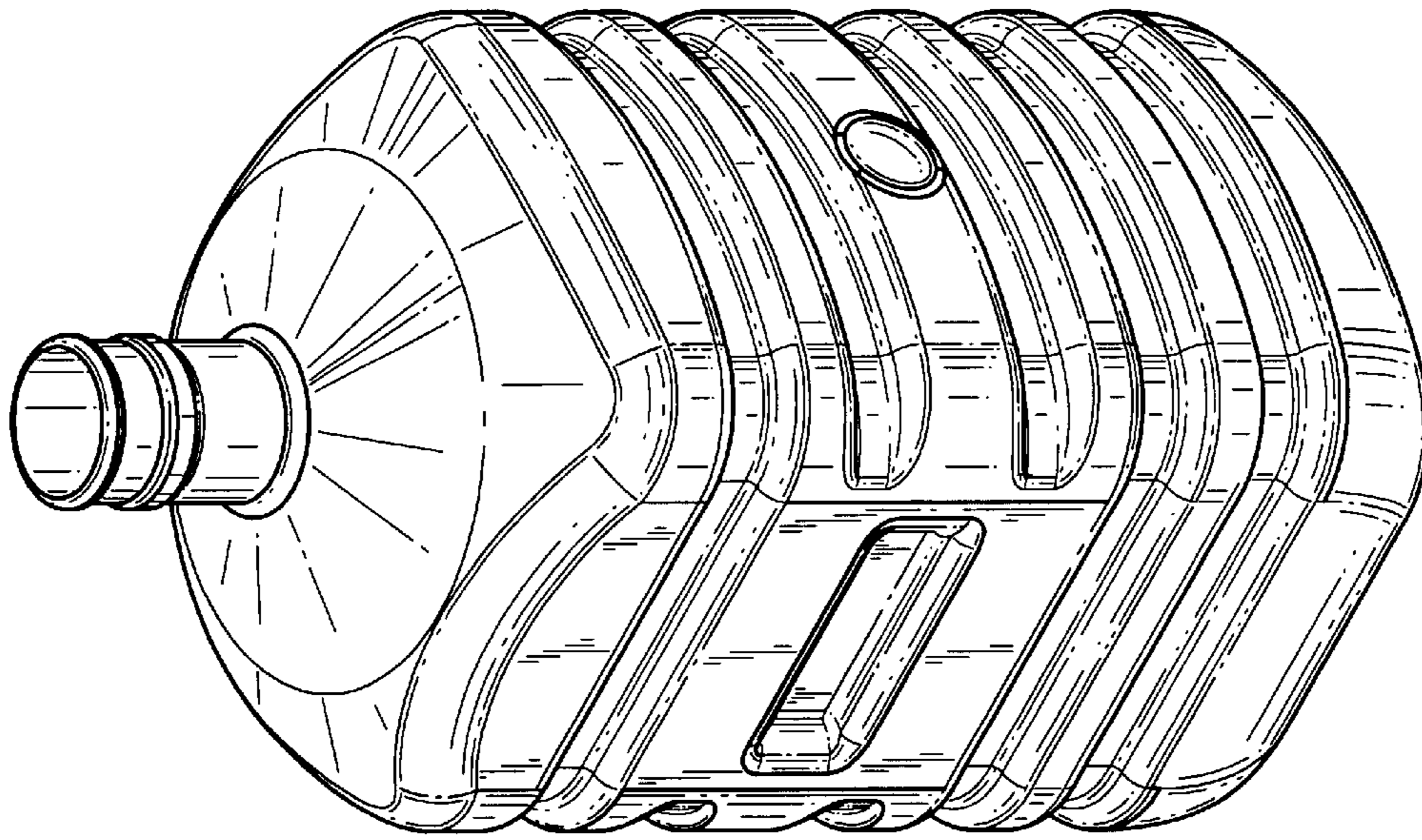


FIG. 2

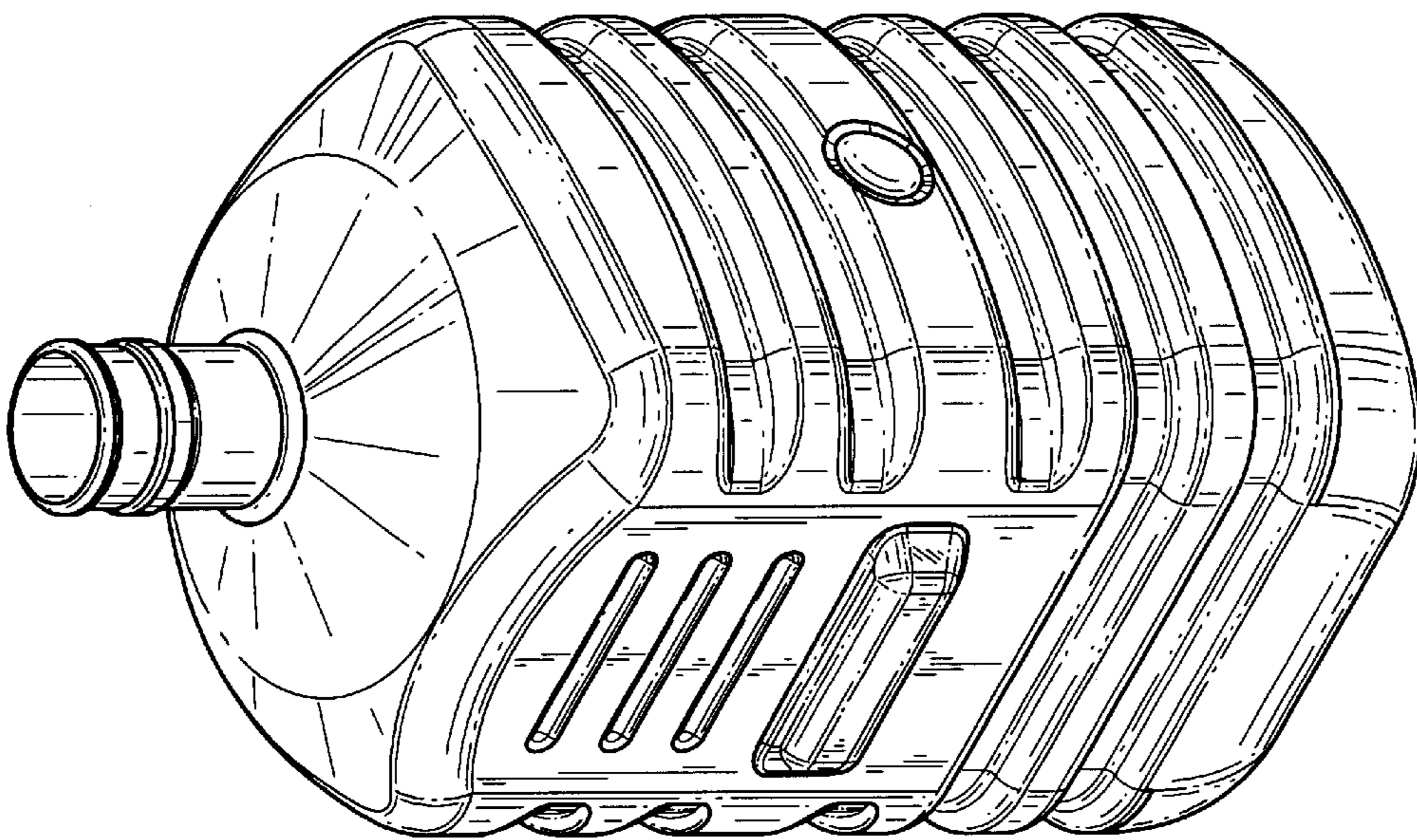


FIG. 1

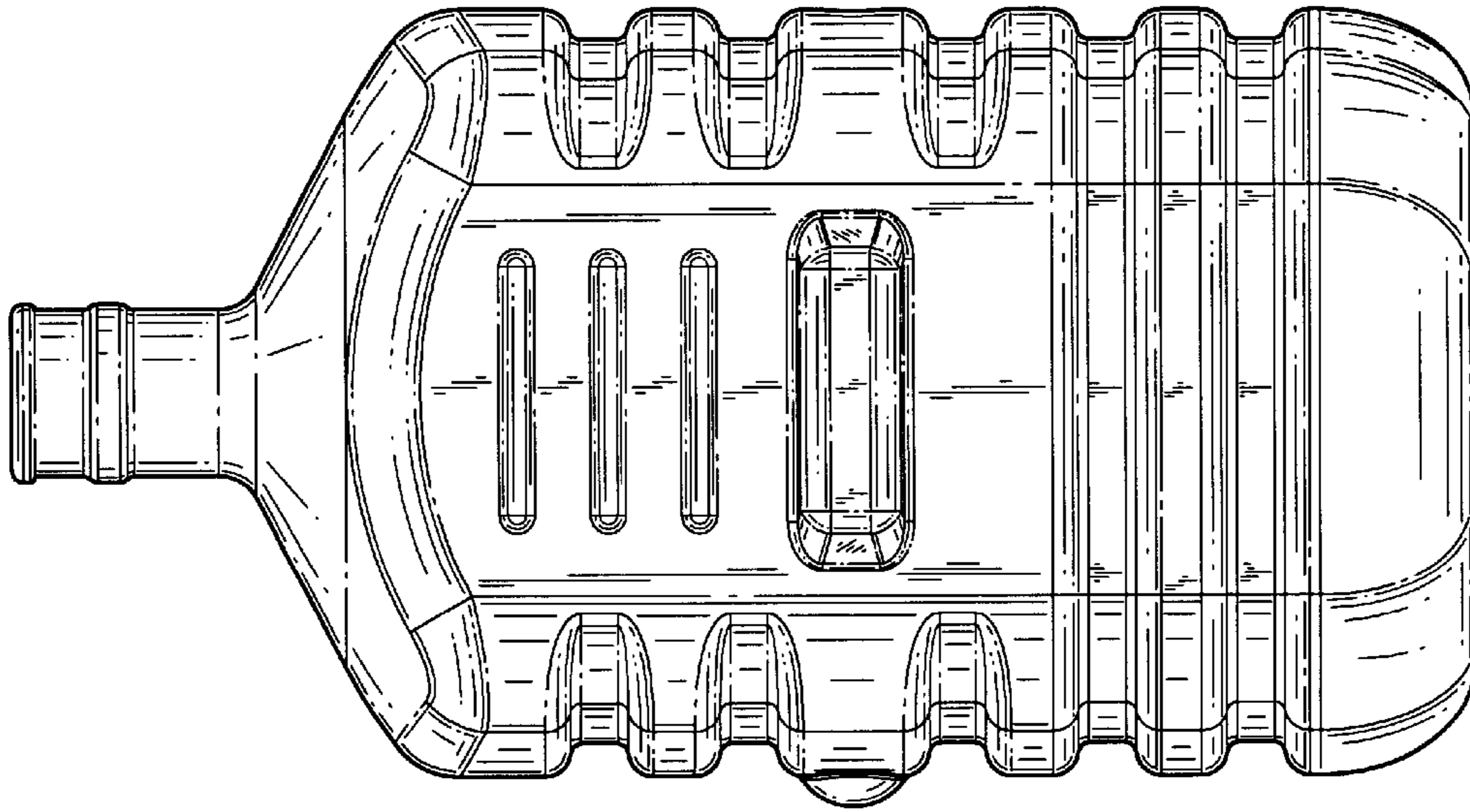


FIG. 4

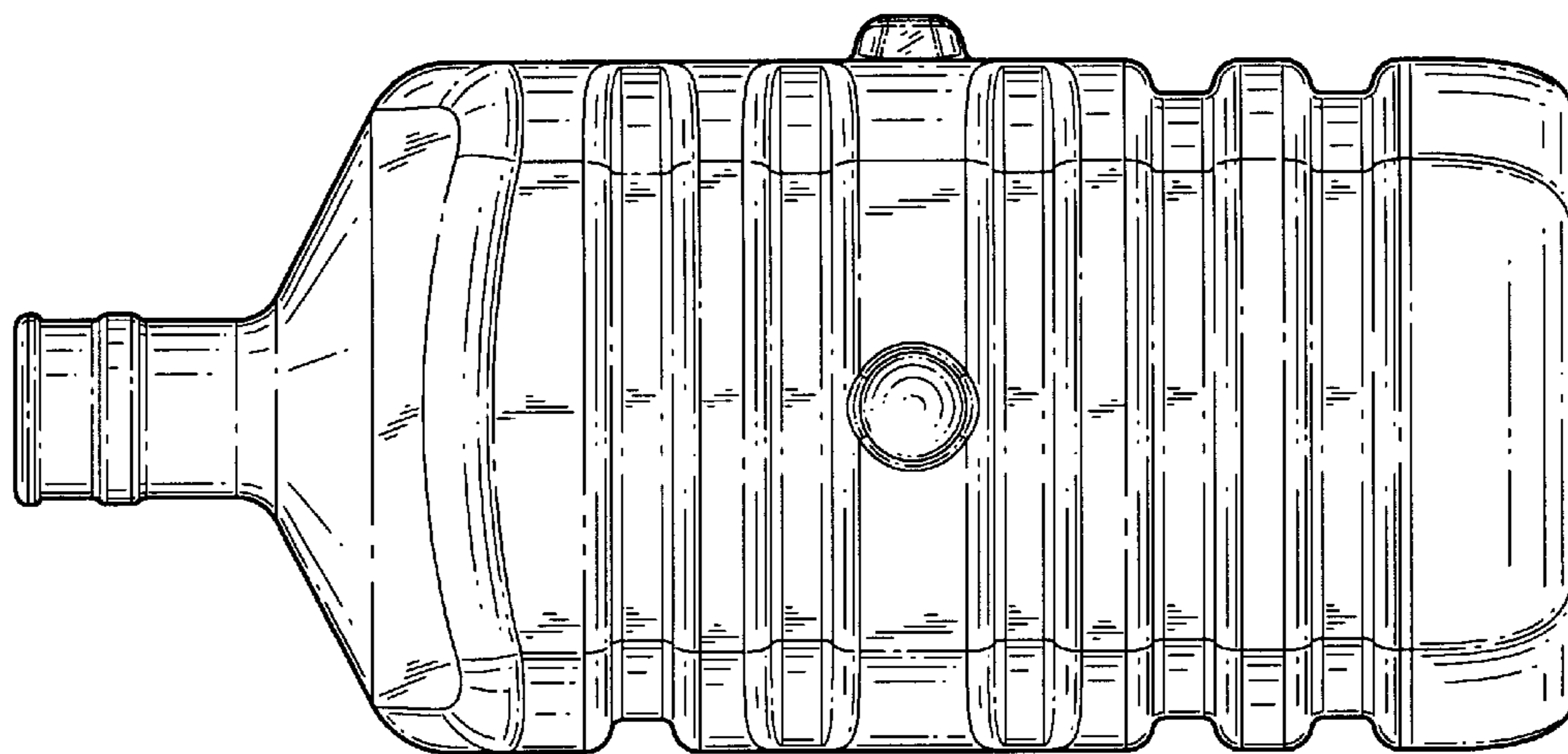


FIG. 3

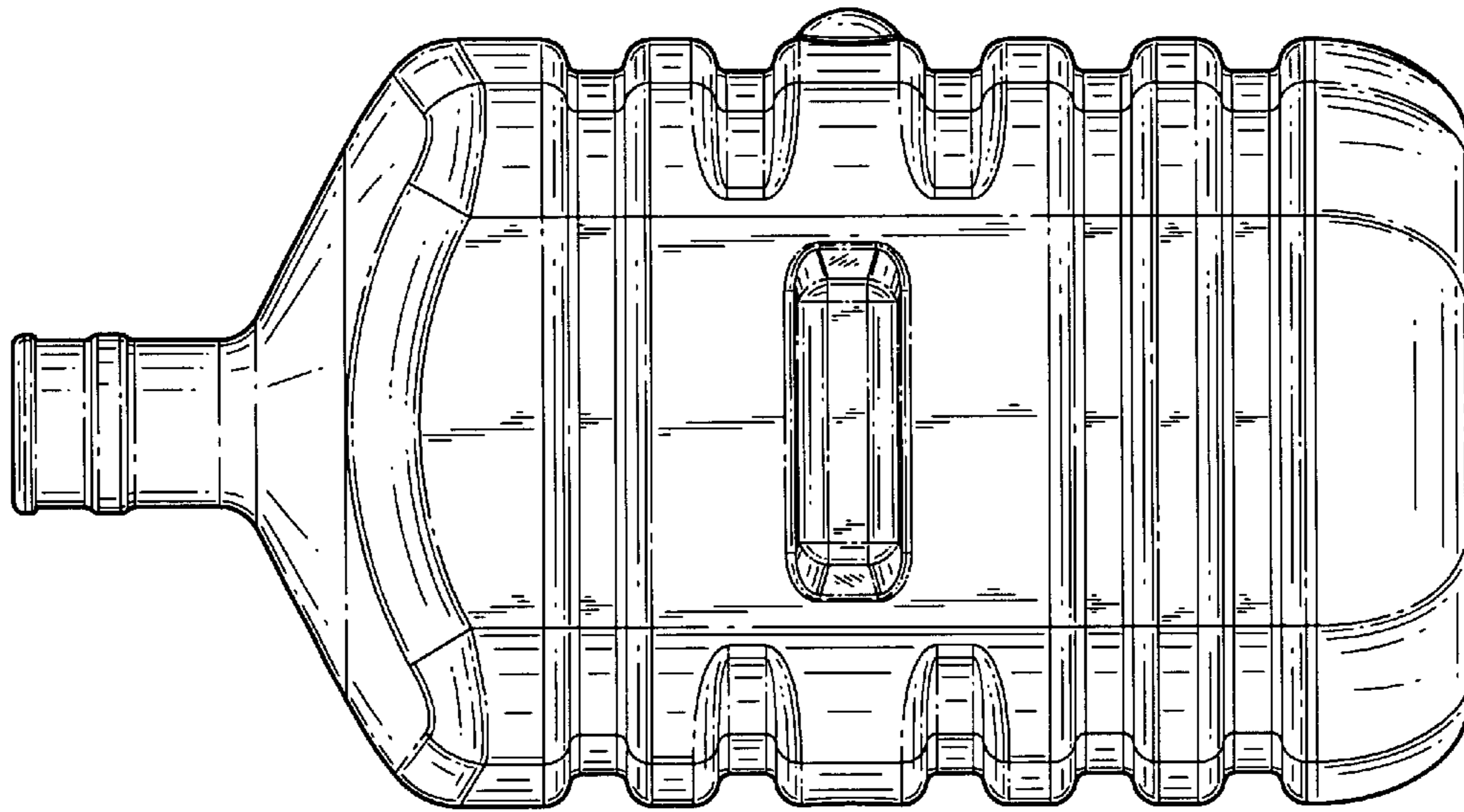


FIG. 6

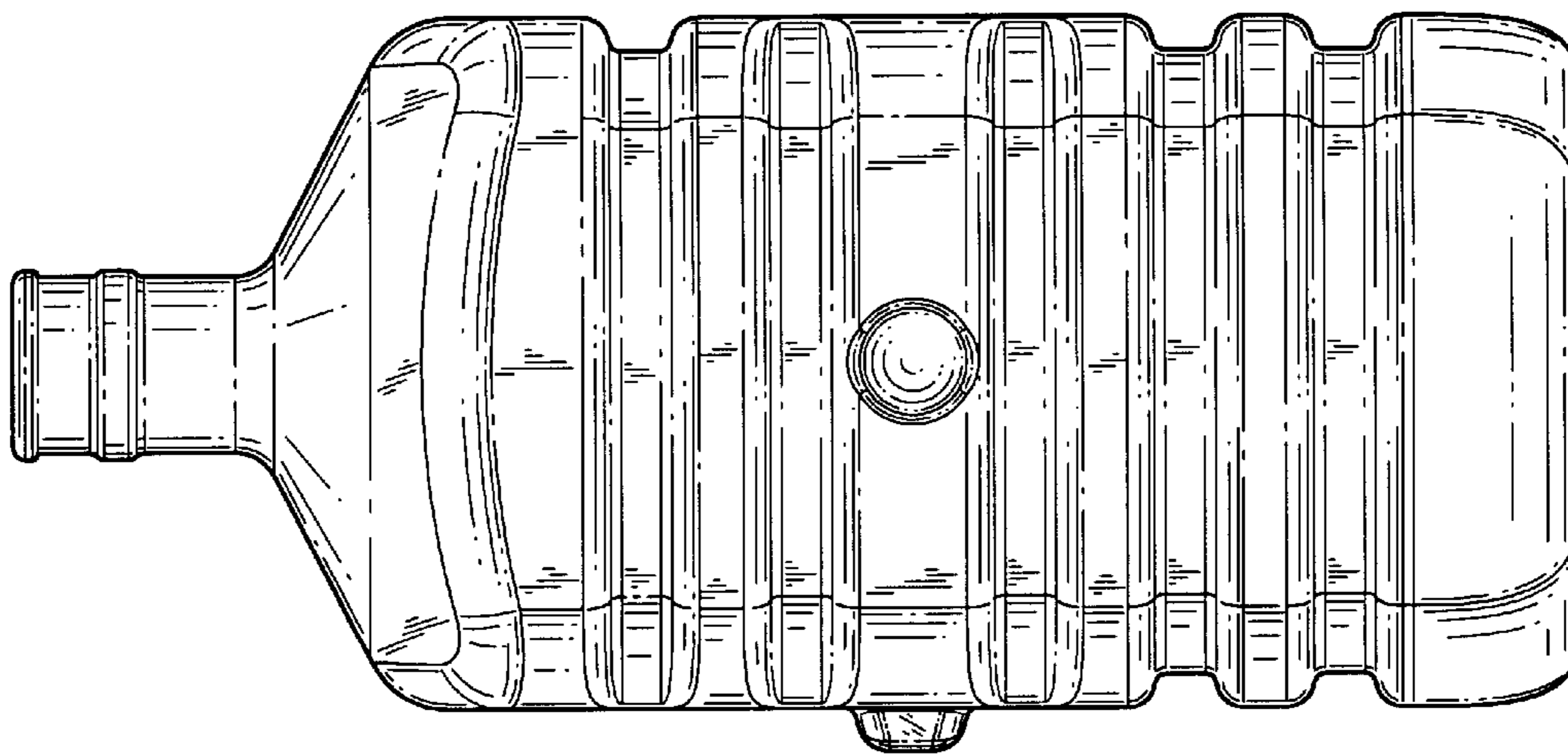


FIG. 5

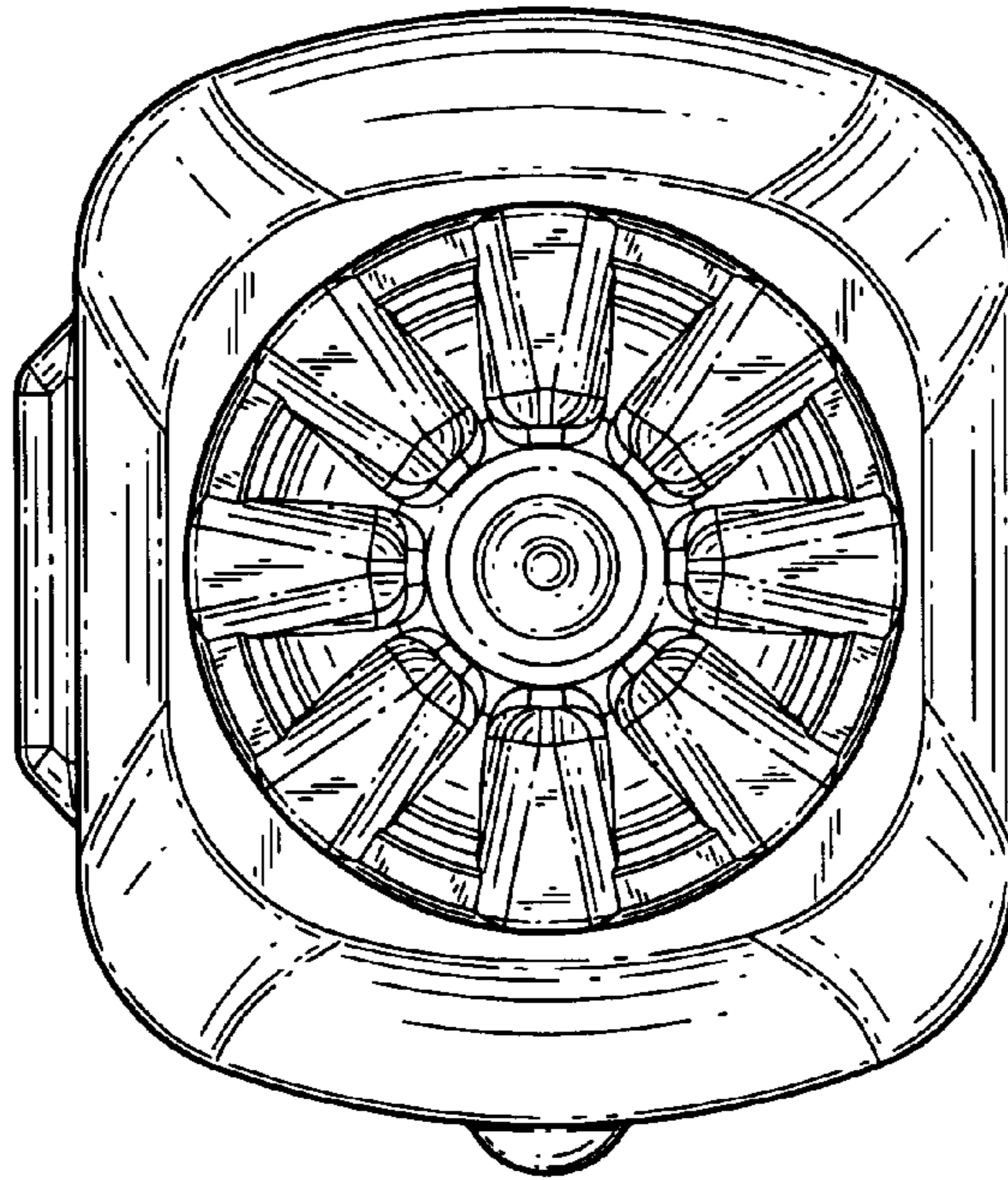


FIG. 8

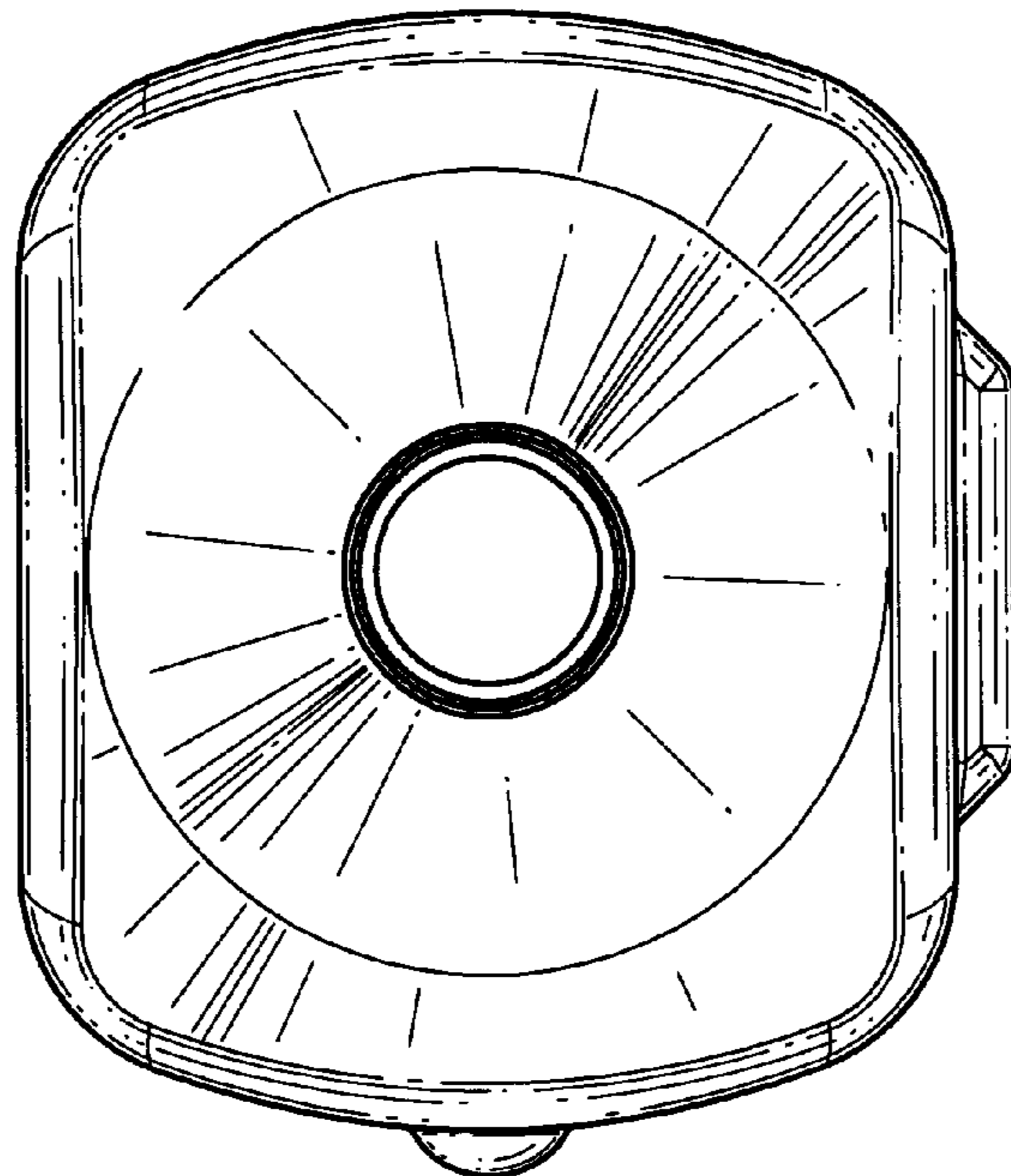


FIG. 7

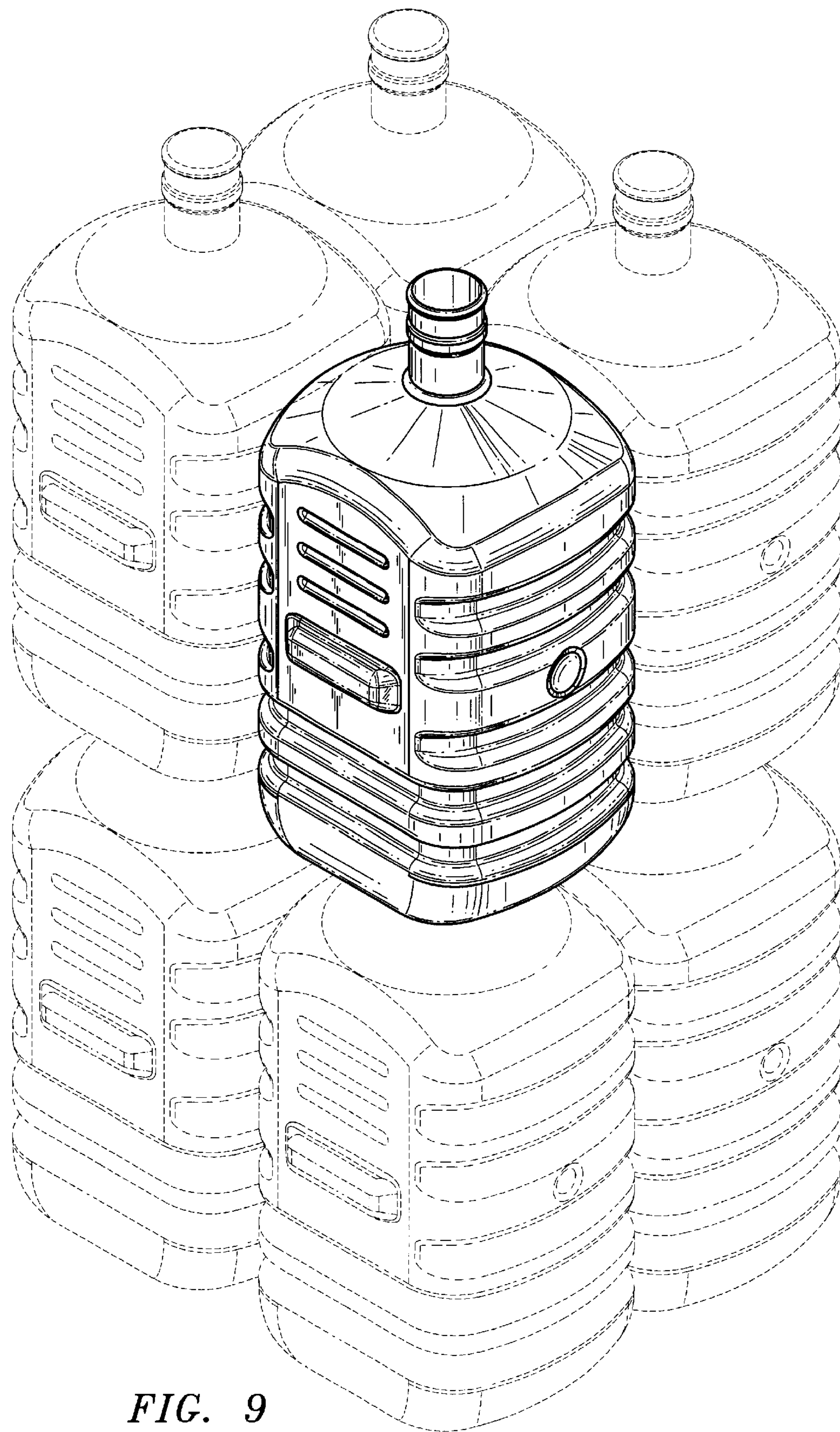


FIG. 9

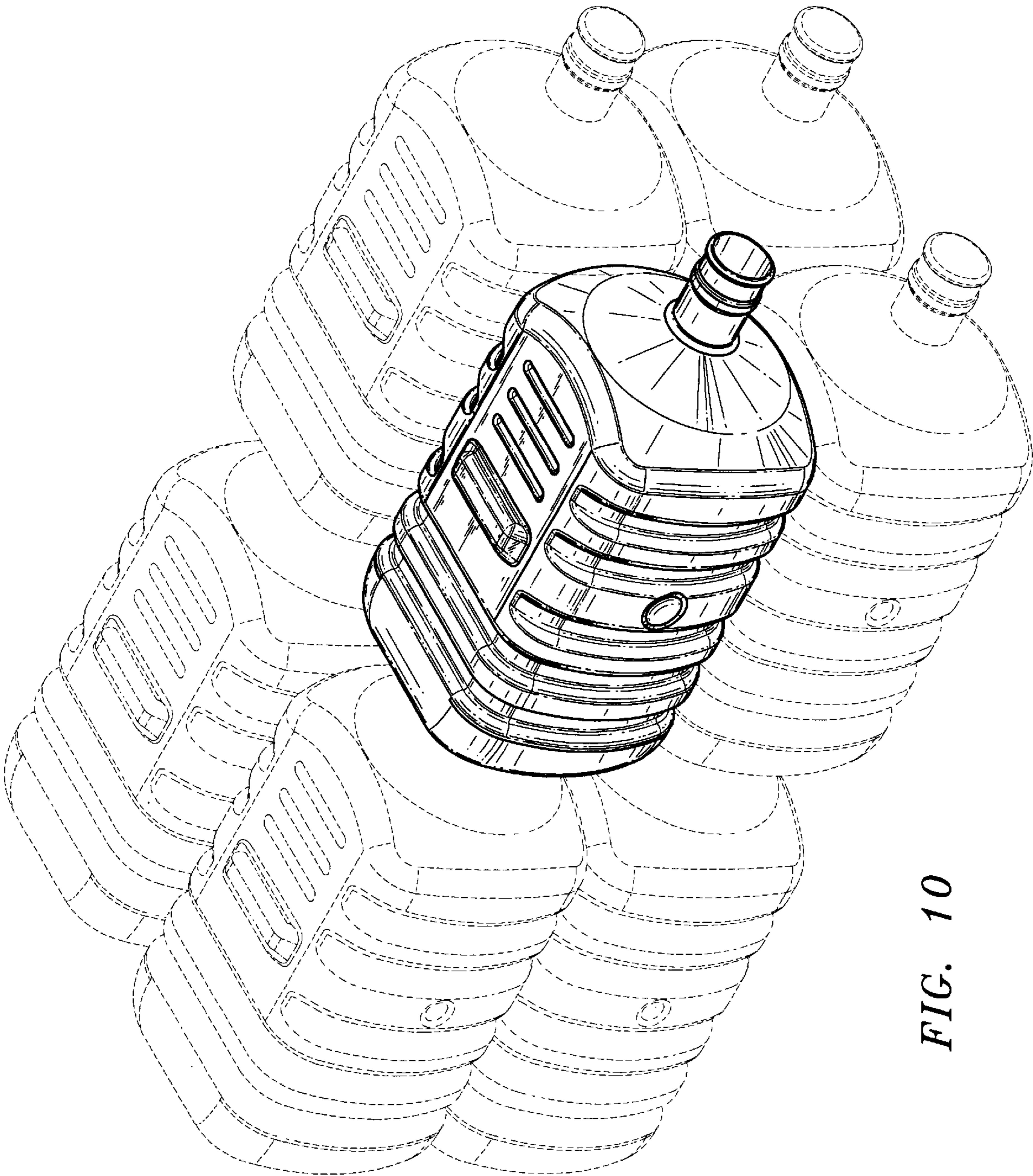


FIG. 10

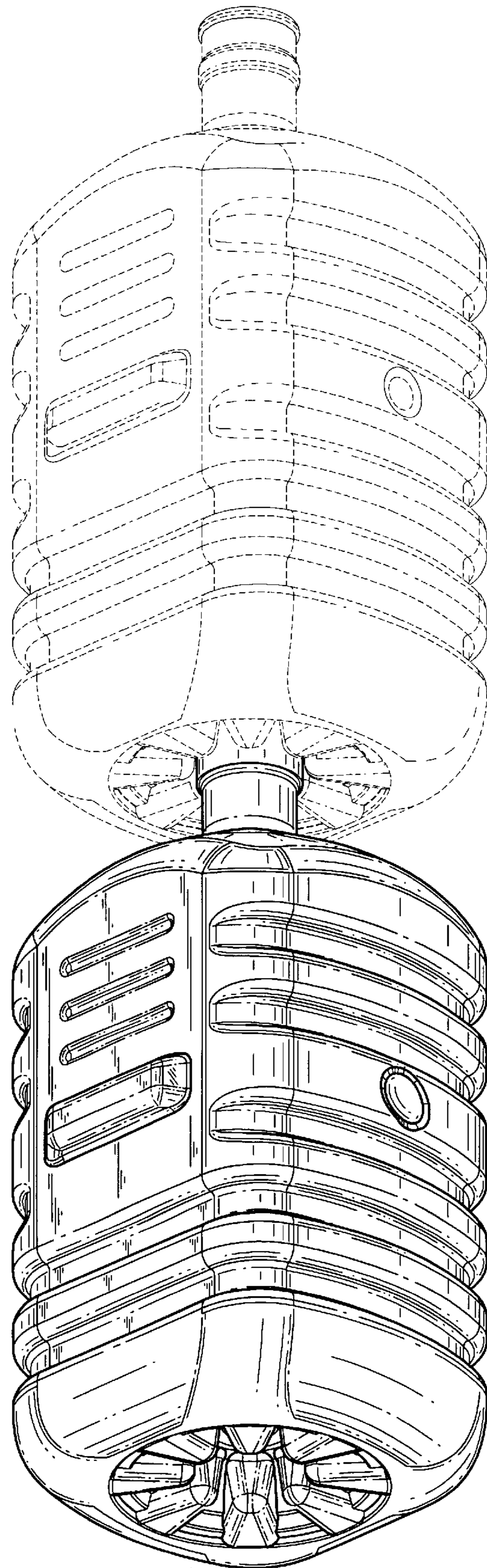


FIG. 11