

US00D526196S

(12) **United States Design Patent**
Wild

(10) **Patent No.:** **US D526,196 S**

(45) **Date of Patent:** **** Aug. 8, 2006**

(54) **CONTAINER CAP**

(75) **Inventor:** **Hans-Peter Wild,**
Eppelheim/Heidelberg (DE)

(73) **Assignee:** **Deutsche SiSi-Werke GmbH & Co.**
Betriebs KG, Eppelheim/Heidelberg
(DE)

(**) **Term:** **14 Years**

(21) **Appl. No.:** **29/203,844**

(22) **Filed:** **Apr. 20, 2004**

(51) **LOC (8) Cl.** **09-07**

(52) **U.S. Cl.** **D9/452; D9/442**

(58) **Field of Classification Search** D9/429,
D9/435, 442, 444, 447, 448, 450, 452-454,
D9/708, 697, 440; D8/DIG. 2; D7/392.1;
D23/250; D21/390; D19/43; D12/197; 220/288;
215/316, 328, 382-385, 353; 222/420; 383/80
See application file for complete search history.

(56) **References Cited**

U.S. PATENT DOCUMENTS

| | | | | | |
|-------------|---|---------|-----------------|-------|--------|
| D145,980 S | * | 11/1946 | Mallick | | D9/440 |
| D171,389 S | * | 2/1954 | Du Pree et al. | | D9/440 |
| D217,136 S | * | 4/1970 | Howard et al. | | D9/452 |
| D309,265 S | * | 7/1990 | Colonna | | D9/452 |
| D413,269 S | * | 8/1999 | Hebert | | D9/452 |
| 6,164,822 A | * | 12/2000 | Beer | | 383/80 |
| D436,030 S | * | 1/2001 | Tedeschi et al. | | D9/695 |
| D448,988 S | | 10/2001 | Bell et al. | | |

| | | | | |
|------------|---|--------|-------------|---------------|
| D453,295 S | | 2/2002 | Bell et al. | |
| D454,487 S | | 3/2002 | Bell et al. | |
| D455,645 S | | 4/2002 | Bell et al. | |
| D470,461 S | * | 2/2003 | Liang | D13/151 |
| D508,413 S | * | 8/2005 | Ueda | D9/708 |

FOREIGN PATENT DOCUMENTS

WO DM/038602 12/1996

OTHER PUBLICATIONS

Official Action for Russian Federation Patent Application
No. 2004502198.

* cited by examiner

Primary Examiner—Robert M. Spear

Assistant Examiner—Susan Bennett Hattan

(74) *Attorney, Agent, or Firm*—Stroock & Stroock & Lavan
LLP

(57) **CLAIM**

The ornamental design for a container cap, as shown and
described.

DESCRIPTION

FIG. 1 is a front elevation view of the container cap of the
present invention;
FIG. 2 is a front right corner view of the cap of FIG. 1;
FIG. 3 is a top plan view of the cap of FIG. 1; and,
FIG. 4 is a right front top perspective view of the cap of FIG.
1.

1 Claim, 2 Drawing Sheets

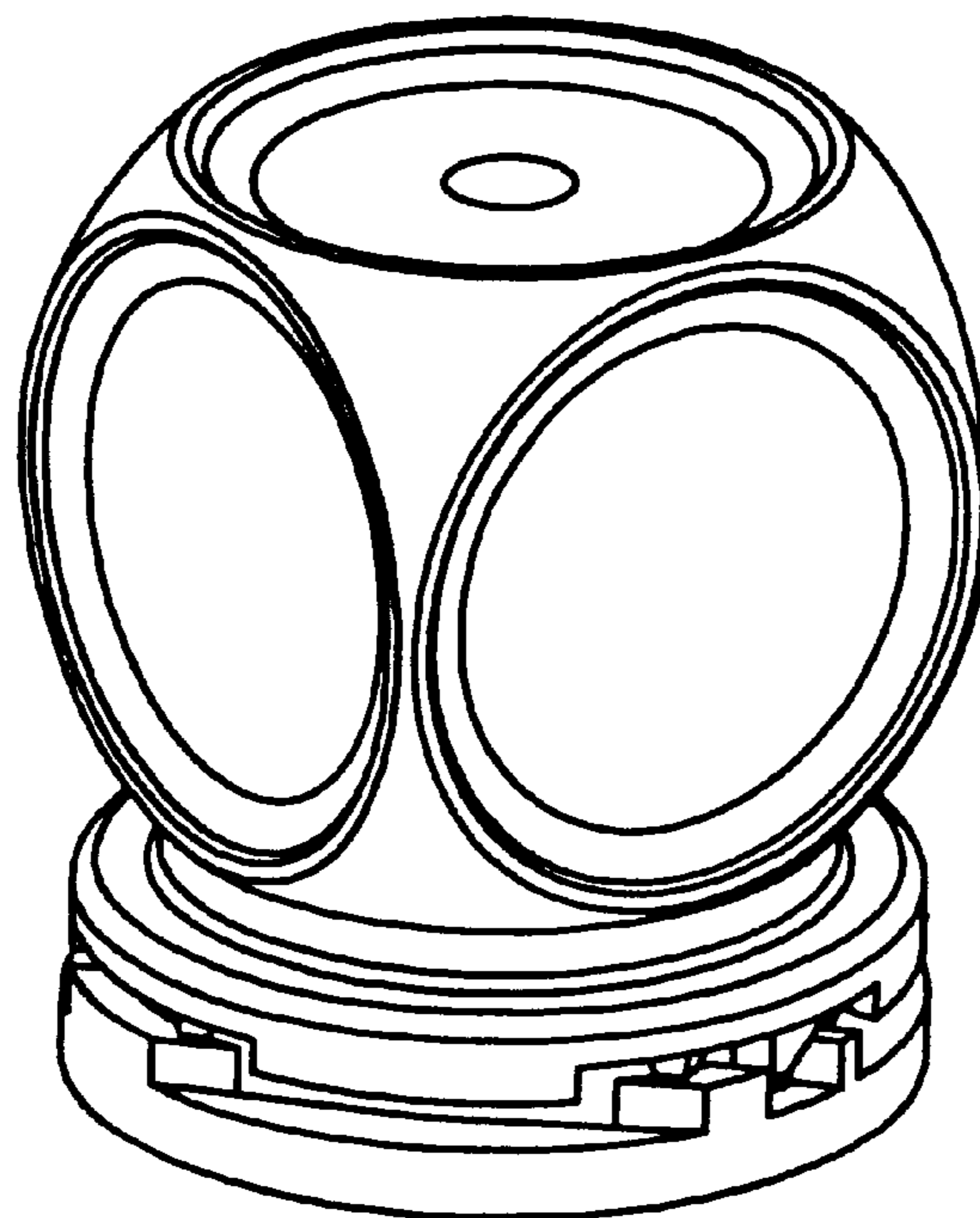


FIG. 1

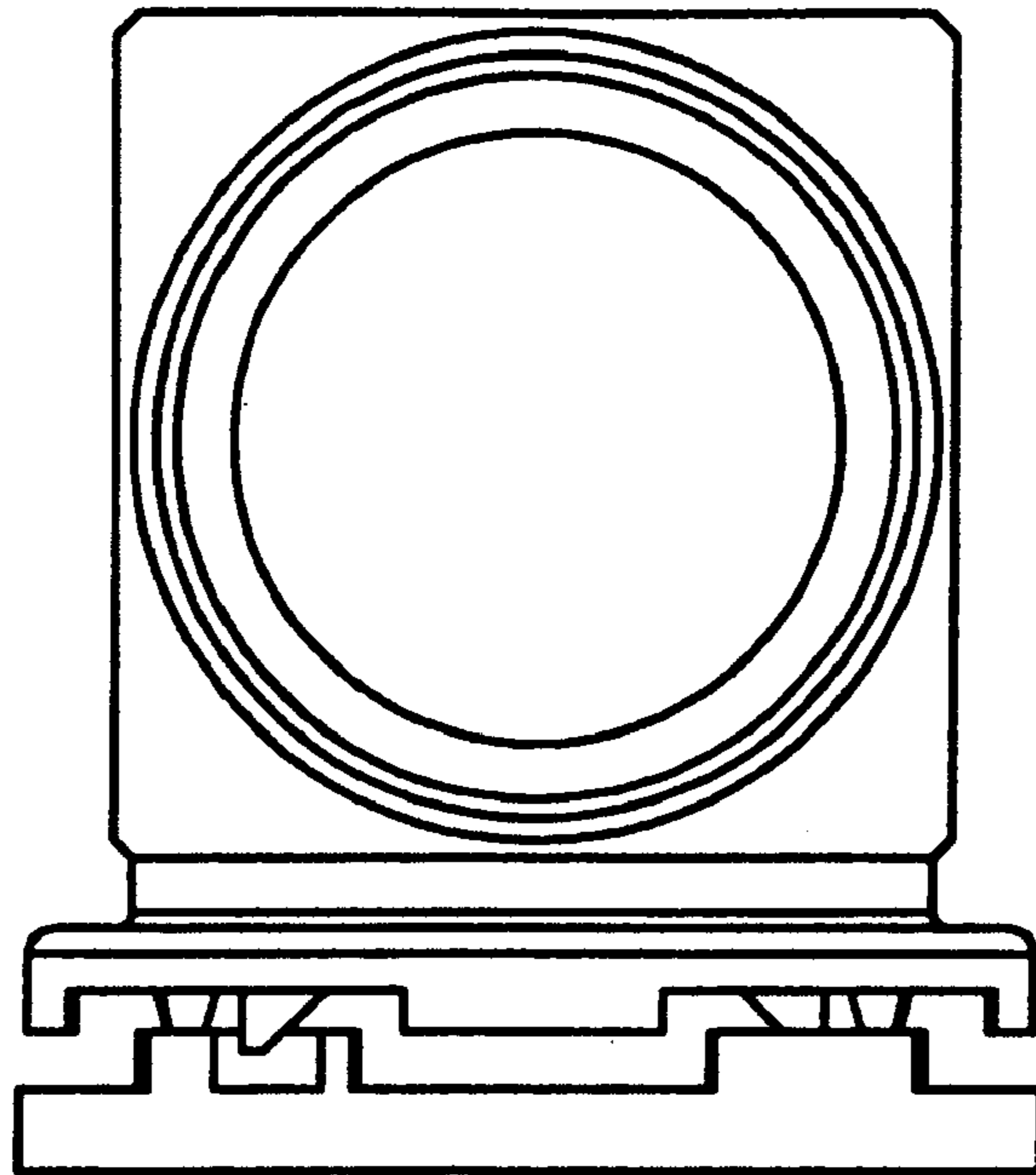


FIG. 2

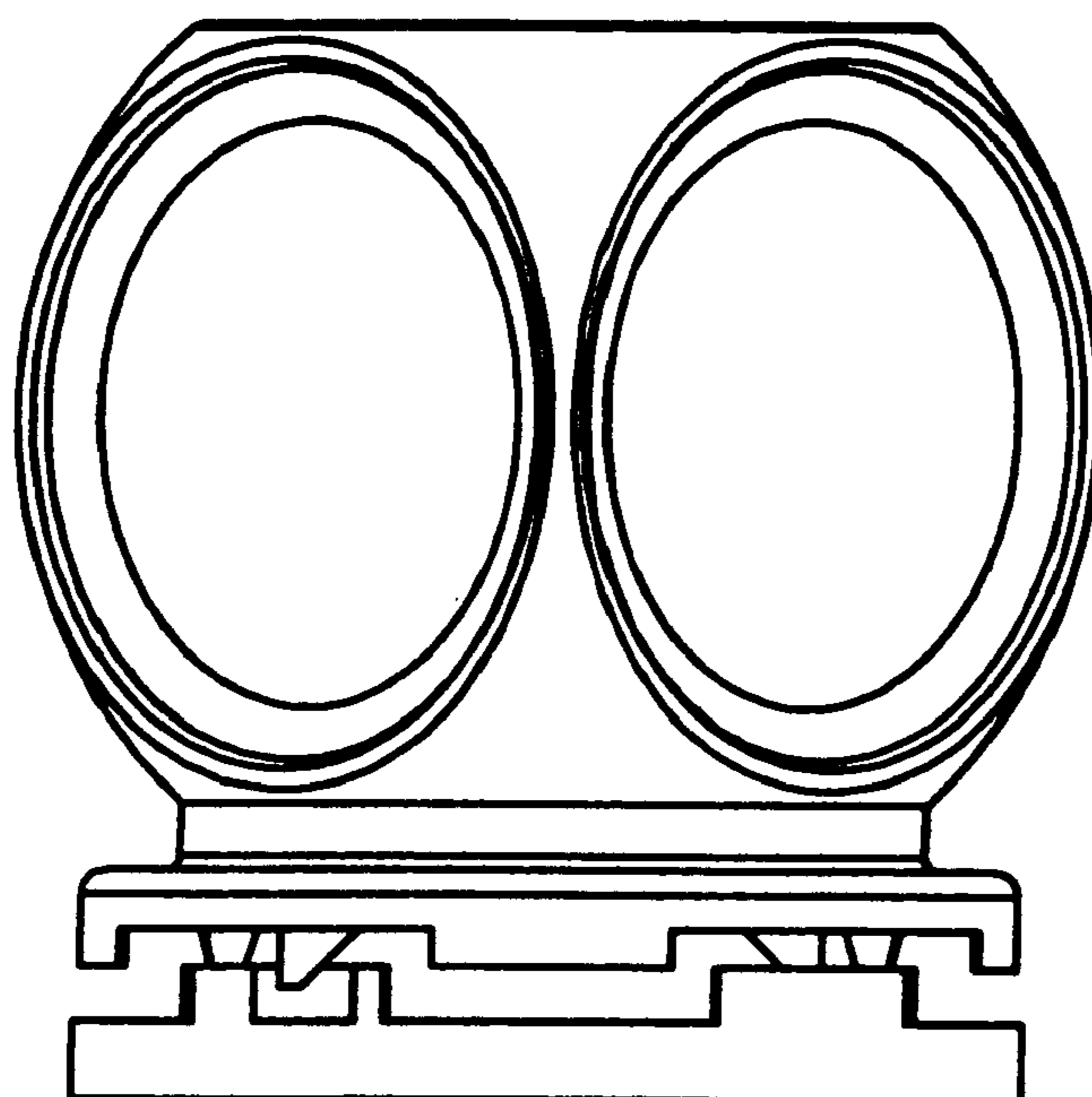


FIG. 3

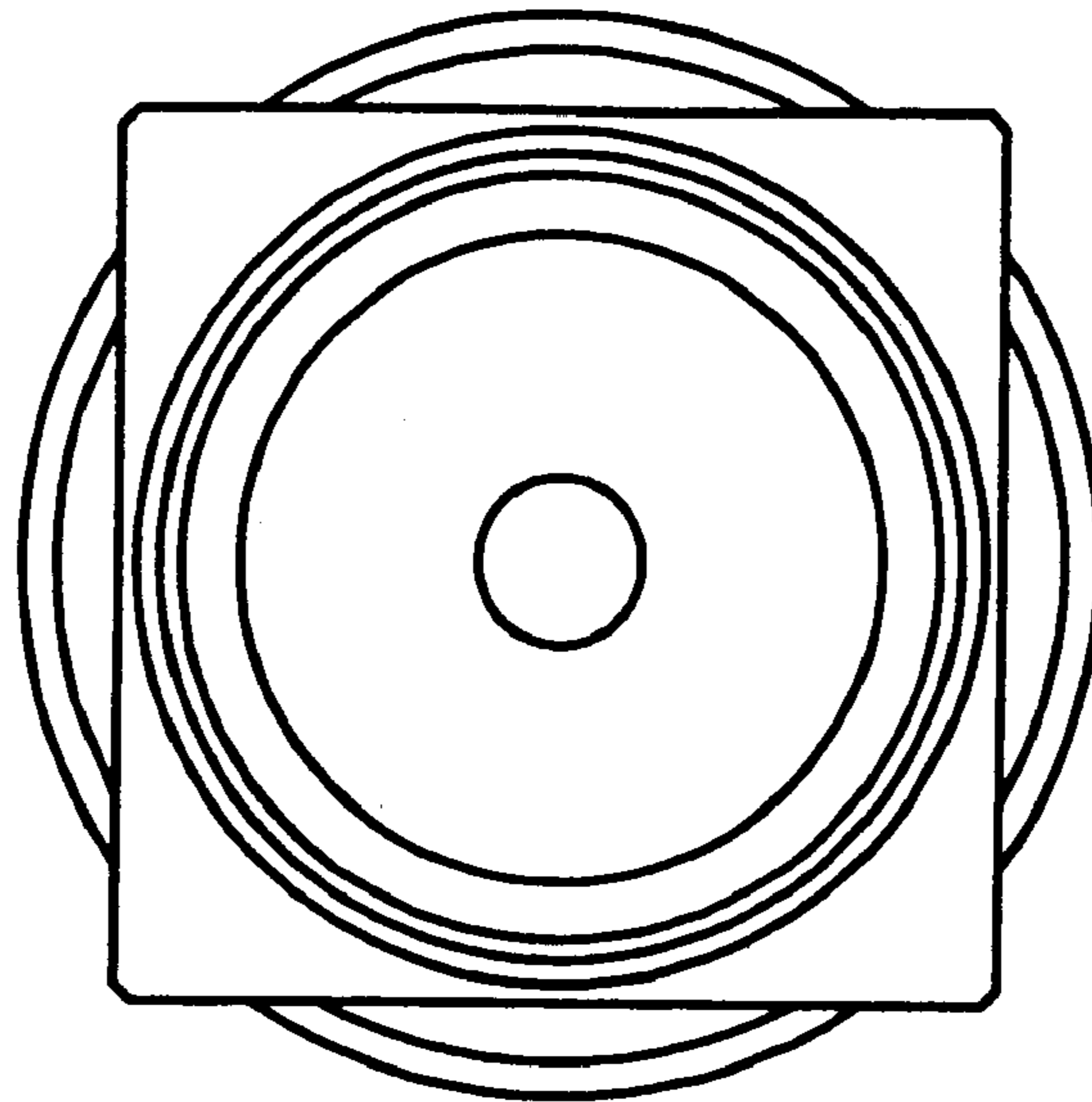


FIG. 4

