



US00D526193S

(12) **United States Design Patent**
Heath

(10) **Patent No.:** **US D526,193 S**

(45) **Date of Patent:** **** Aug. 8, 2006**

(54) **CONTAINER FOR TONER CARTRIDGES**

(76) Inventor: **Donald P. Heath**, 13 Klamath, Irvine,
CA (US) 92612

(**) Term: **14 Years**

(21) Appl. No.: **29/210,512**

(22) Filed: **Aug. 2, 2004**

(51) **LOC (8) Cl.** **09-07**

(52) **U.S. Cl.** **D9/425**

(58) **Field of Classification Search** D9/414,
D9/415, 418, 424, 425, 426, 432; D7/629,
D7/601; 206/508, 518, 216, 541, 521, 523;
220/556, 780, 793, 790, 4.21-4.27, 801,
220/805; 229/406, 407, 4.5, 902; 426/107,
426/109, 113, 120

See application file for complete search history.

(56) **References Cited**

U.S. PATENT DOCUMENTS

4,113,095	A	*	9/1978	Dietz et al.	206/508
4,664,281	A	*	5/1987	Falk et al.	220/3.8
D305,409	S	*	1/1990	Michaud et al.	D9/425
5,046,659	A	*	9/1991	Warburton	220/4.22
D363,879	S	*	11/1995	Krupa et al.	D9/423
5,833,116	A	*	11/1998	Guillin	220/783

D406,757	S	*	3/1999	Bean et al.	D9/423
D407,015	S	*	3/1999	Jones	D9/426
D409,485	S	*	5/1999	Christy, Jr.	D9/425
D468,637	S	*	1/2003	Chou	D9/425
D470,048	S	*	2/2003	Buchalski et al.	D9/425

* cited by examiner

Primary Examiner—Prabhakar Deshmukh

(74) *Attorney, Agent, or Firm*—Edward Sokolski

(57) **CLAIM**

The ornamental design for a container for toner cartridges, as shown and described.

DESCRIPTION

FIG. 1 is a top perspective view showing my new design for a container for toner cartridges.

FIG. 2 is an end elevational view of the container shown in FIG. 1;

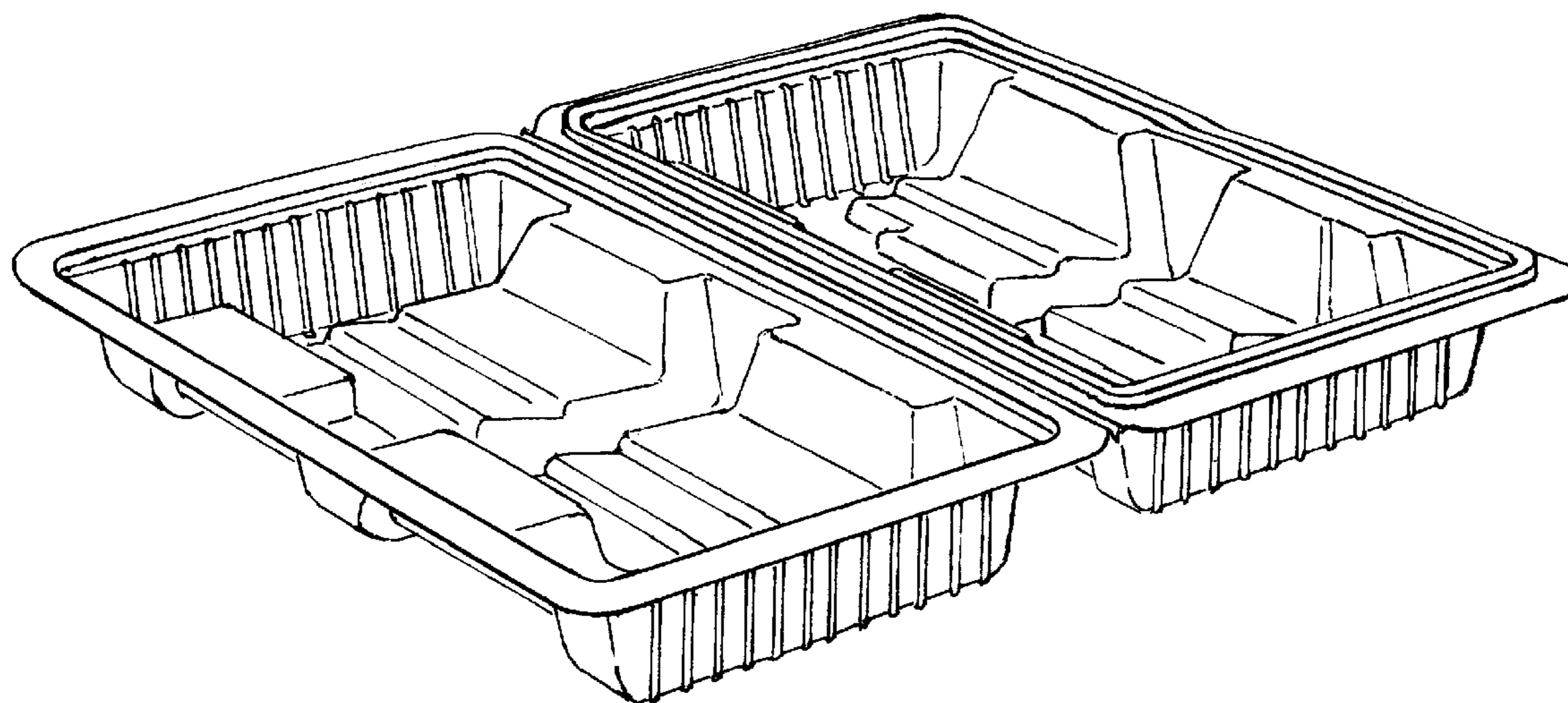
FIG. 3 is a top plan view of the container shown in FIG. 1.

FIG. 4 is a side elevational view of the container shown in FIG. 1;

FIG. 5 is a bottom plan view of the container shown in FIG. 1; and,

FIG. 6 is a side elevational view of the container, as shown in FIG. 5.

1 Claim, 2 Drawing Sheets



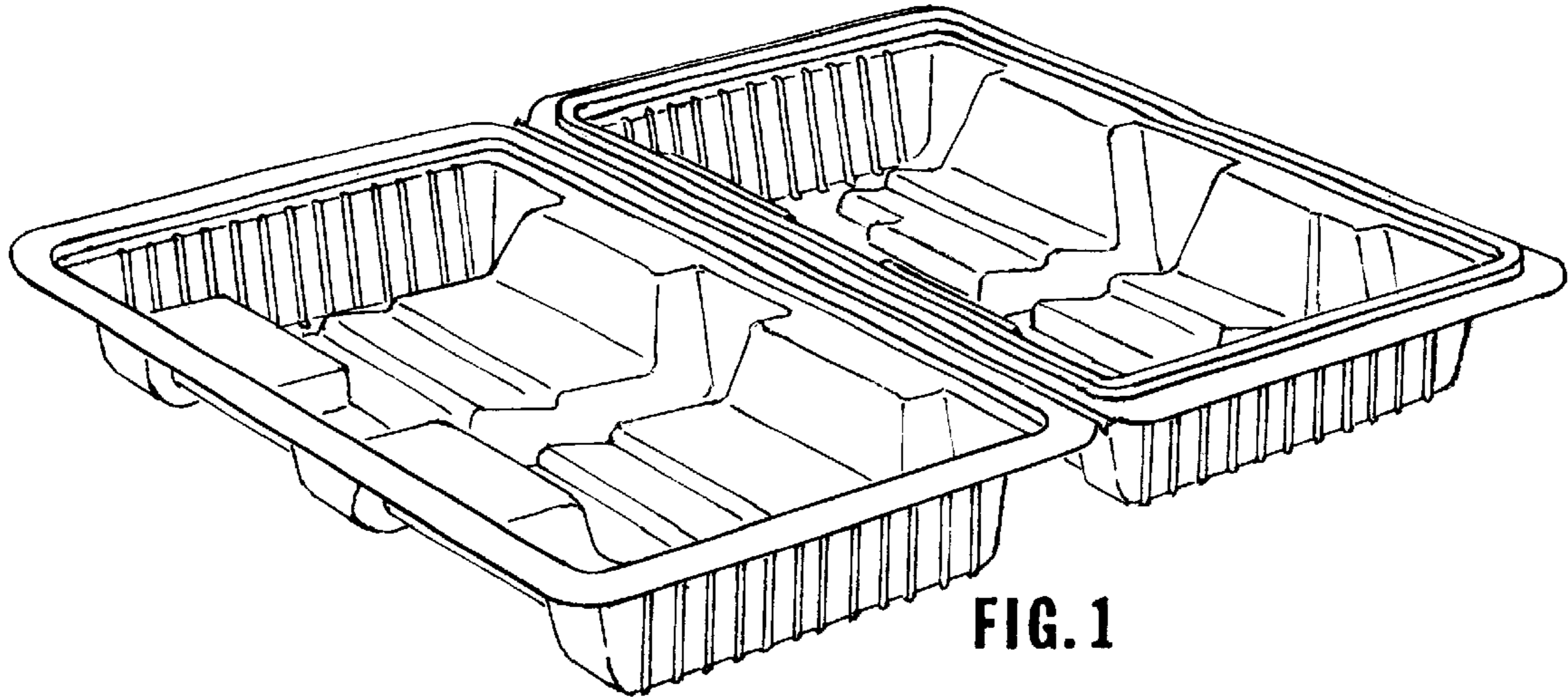


FIG. 1

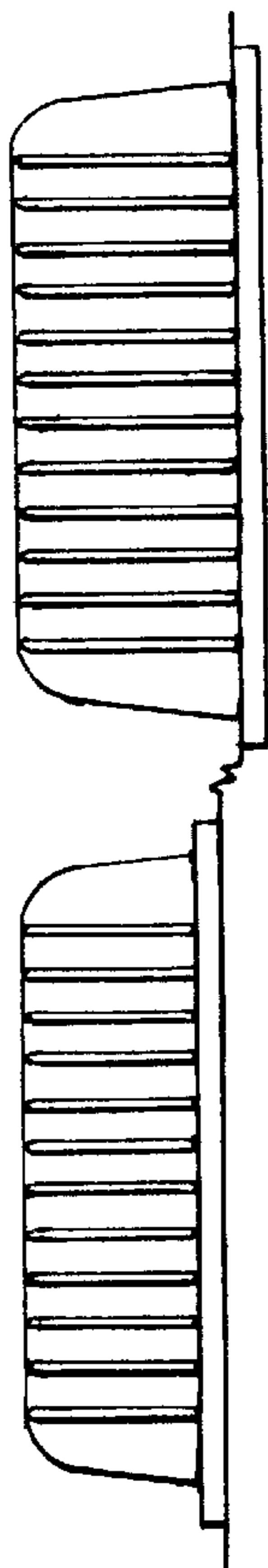


FIG. 2

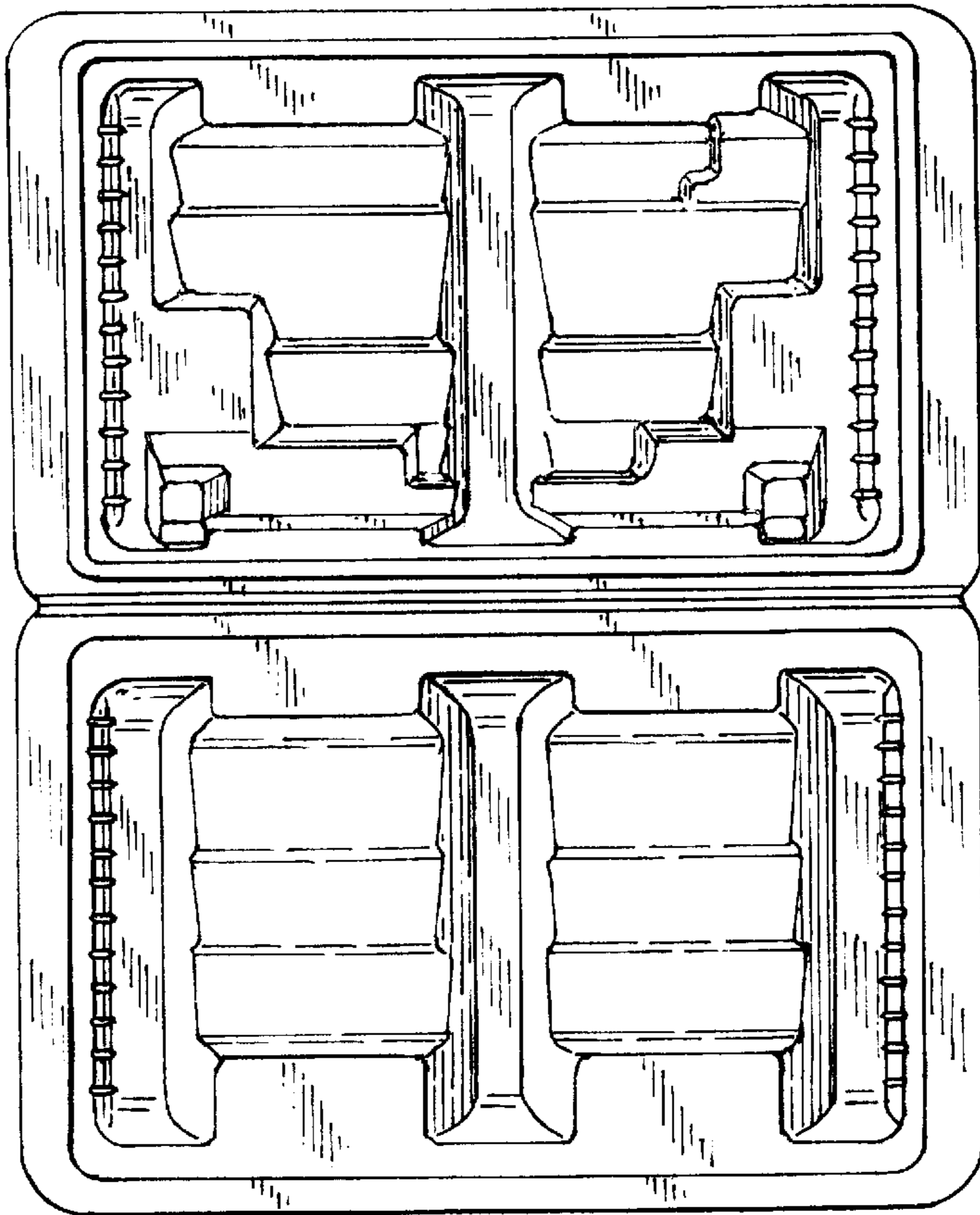


FIG. 3

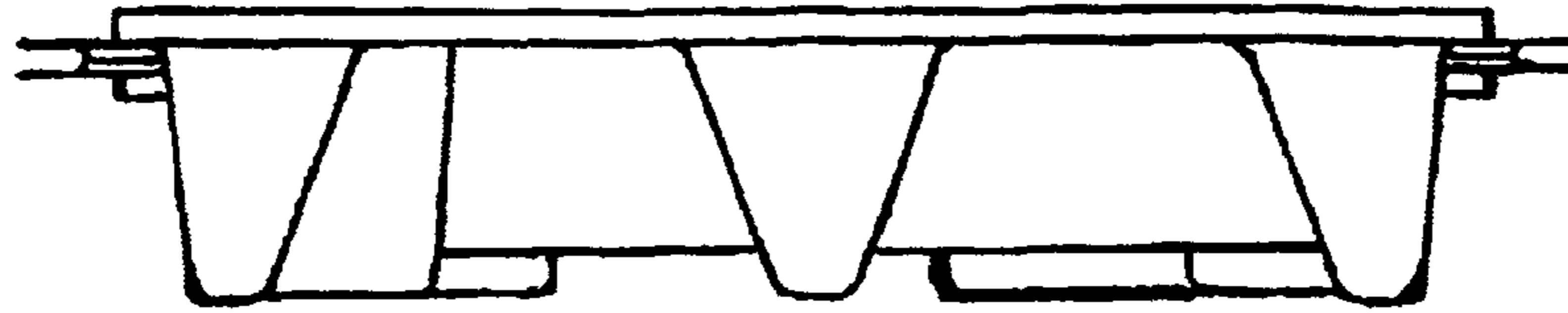


FIG. 4

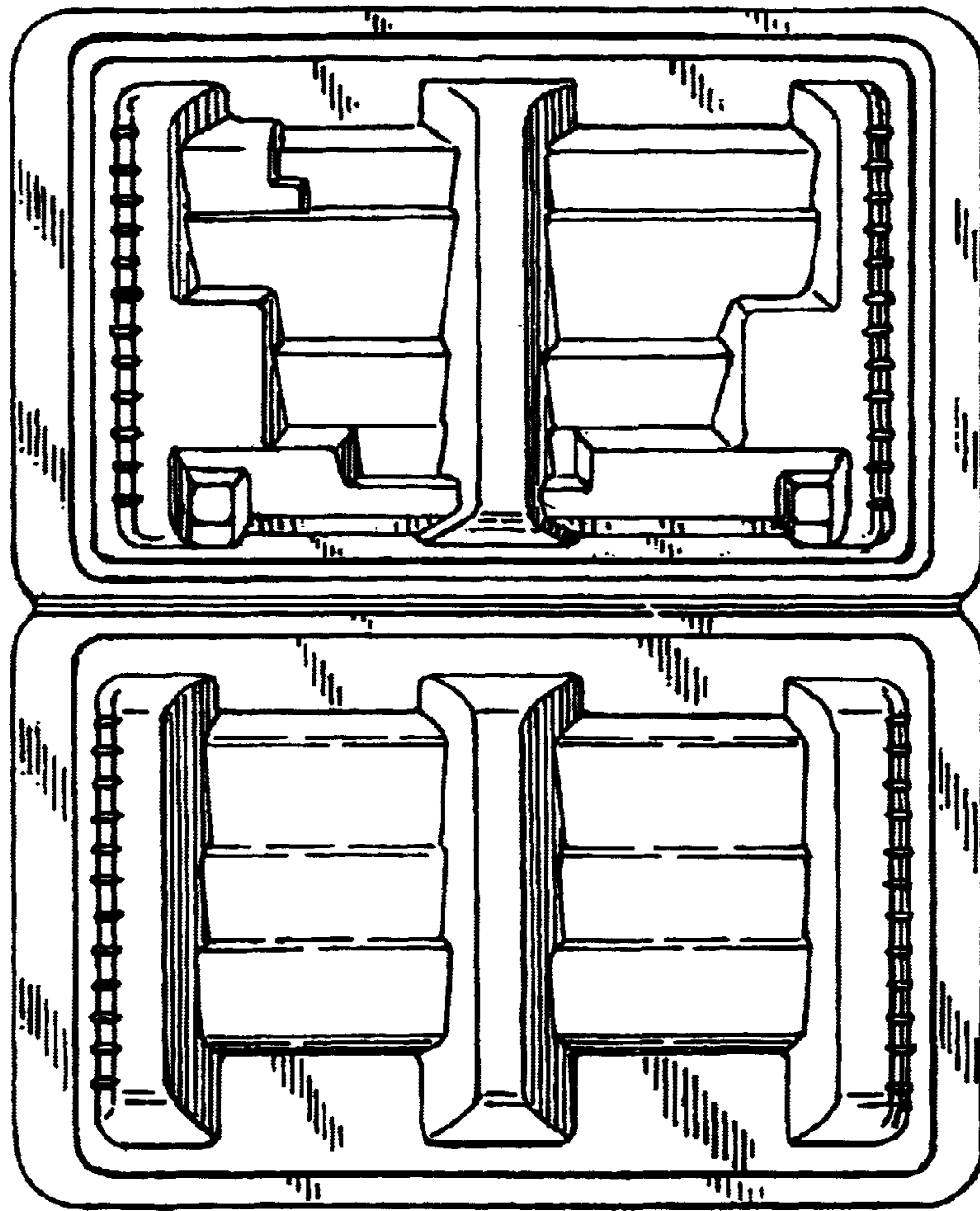


FIG. 5

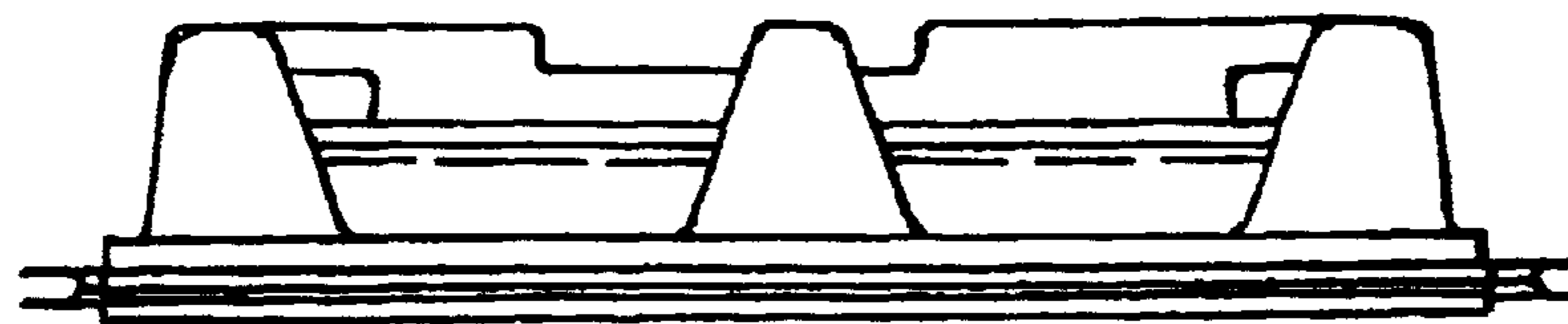


FIG. 6