



US00D526188S

(12) **United States Design Patent** (10) **Patent No.:** **US D526,188 S**
Minor et al. (45) **Date of Patent:** **** Aug. 8, 2006**

(54) **RE-BAR CLAMP**

(75) Inventors: **Jack M. Minor**, 1155 Achilles Cir.,
Lafayette, CO (US) 80026; **Brent W. Murray**, Longmont, CO (US)

(73) Assignee: **Jack M. Minor**, Lafayette, CO (US)

(**) Term: **14 Years**

(21) Appl. No.: **29/231,770**

(22) Filed: **Jun. 9, 2005**

Related U.S. Application Data

(62) Division of application No. 29/211,496, filed on Aug. 17, 2004, now Pat. No. Des. 510,857.

(51) **LOC (8) Cl.** **08-08**

(52) **U.S. Cl.** **D8/396; D8/354**

(58) **Field of Classification Search** D8/349,
D8/354, 380, 394-396; D25/199; 52/677-689;
248/74.2, 214, 219.1, 316.7; 404/134-136
See application file for complete search history.

(56) **References Cited**

U.S. PATENT DOCUMENTS

D201,387 S *	6/1965	Reeves	D8/394
3,673,753 A *	7/1972	Anderson	52/685
3,788,025 A *	1/1974	Holmes	52/685
D281,952 S *	12/1985	Farmer et al.	D8/394
4,575,985 A	3/1986	Eckenrodt		
4,598,523 A	7/1986	Tolliver		
4,610,122 A	9/1986	De Clercq		
4,835,933 A *	6/1989	Yung	52/685
5,323,582 A	6/1994	Watson		
5,371,991 A	12/1994	Bechtel et al.		
D355,582 S *	2/1995	Sleight	D8/354
5,688,428 A	11/1997	Maguire		
5,730,432 A	3/1998	Gendreau et al.		
5,752,860 A	5/1998	Greaves		
5,878,546 A	3/1999	Westover		
5,893,252 A	4/1999	Hardy, Jr. et al.		
D414,680 S *	10/1999	Mathews	D8/394
6,017,014 A	1/2000	Maguire		
6,112,494 A	9/2000	Hardy, Jr. et al.		
6,385,938 B1	5/2002	Gavin		

6,684,594 B1	2/2004	Sorkin
6,684,595 B1	2/2004	Sorkin
2003/0000170 A1	1/2003	Sorkin
2003/0197108 A1	10/2003	Domizio
2004/0031228 A1	2/2004	Hardy, Jr. et al.
2004/0040247 A1	3/2004	Morse

FOREIGN PATENT DOCUMENTS

DE	823 648	12/1951
FR	2.151.236	4/1973
GB	1142886	2/1969
GB	1250021	10/1971

OTHER PUBLICATIONS

U.S. Appl. No. 29/231,626, filed Jun. 8, 2005, Applicant: Brent W. Murray.

U.S. Appl. No. 29/231,625, filed Jun. 8, 2005, Applicant: Jack M. Minor et al.

Jack M. Minor, U.S. Appl. No. 60/598,157, filed Aug. 2, 2004, filing receipt and drawings attached hereto.

* cited by examiner

Primary Examiner—Louis S. Zarfaz

Assistant Examiner—John Windmuller

(74) *Attorney, Agent, or Firm*—Sara A. Gossman; Patent Law Offices of Rick Martin, P.C.

(57) **CLAIM**

The ornamental design for a re-bar clamp, as shown and described.

DESCRIPTION

FIG. 1 is a top perspective view of a re-bar clamp showing our new design;

FIG. 2 is a front elevational view thereof, the rear elevational view being identical;

FIG. 3 is a top plan view thereof;

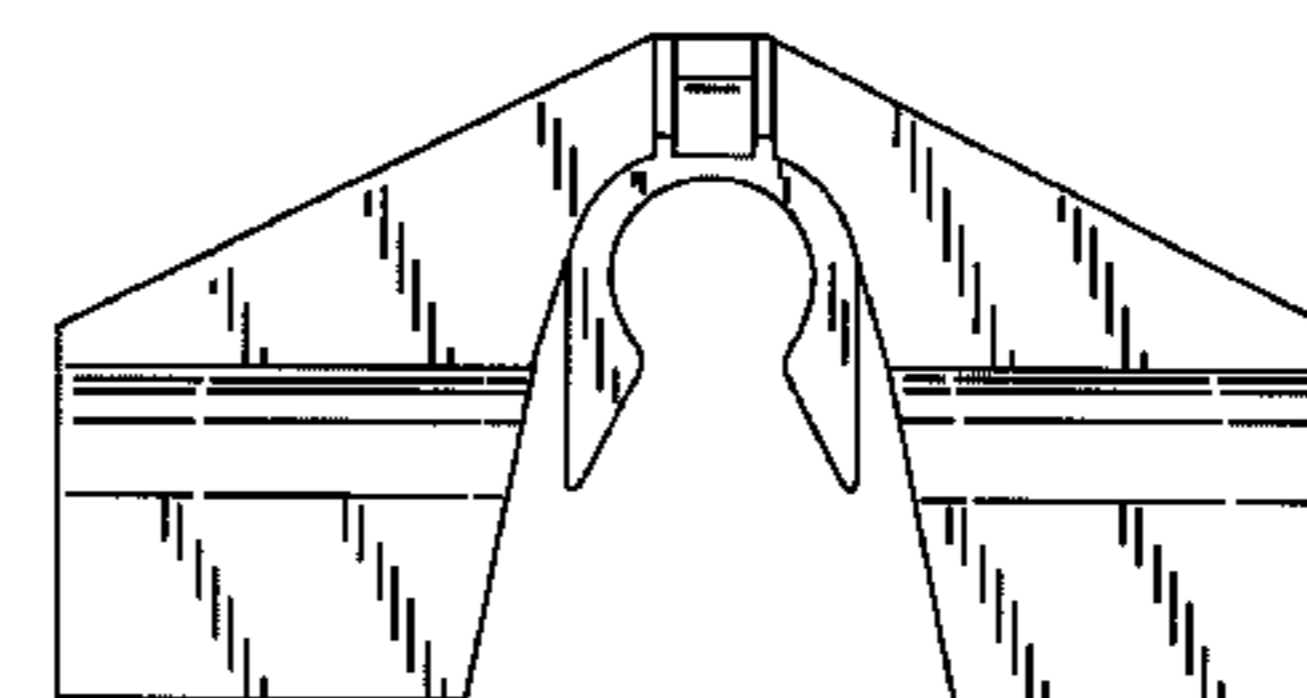
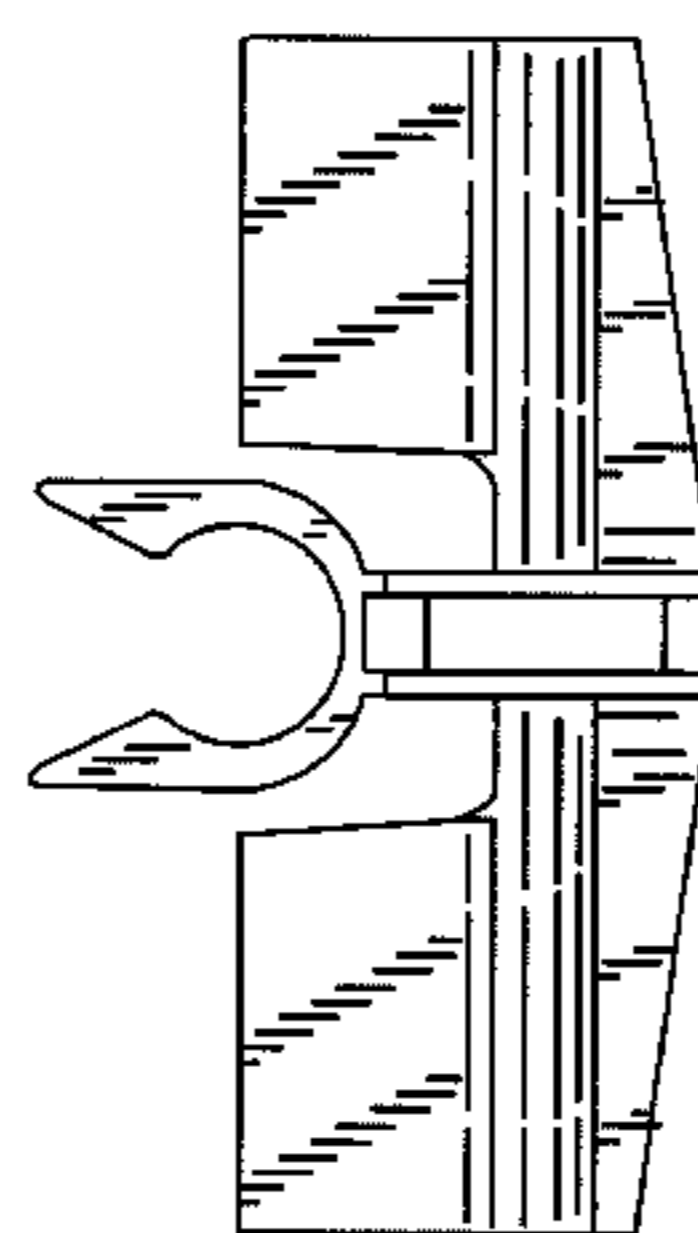
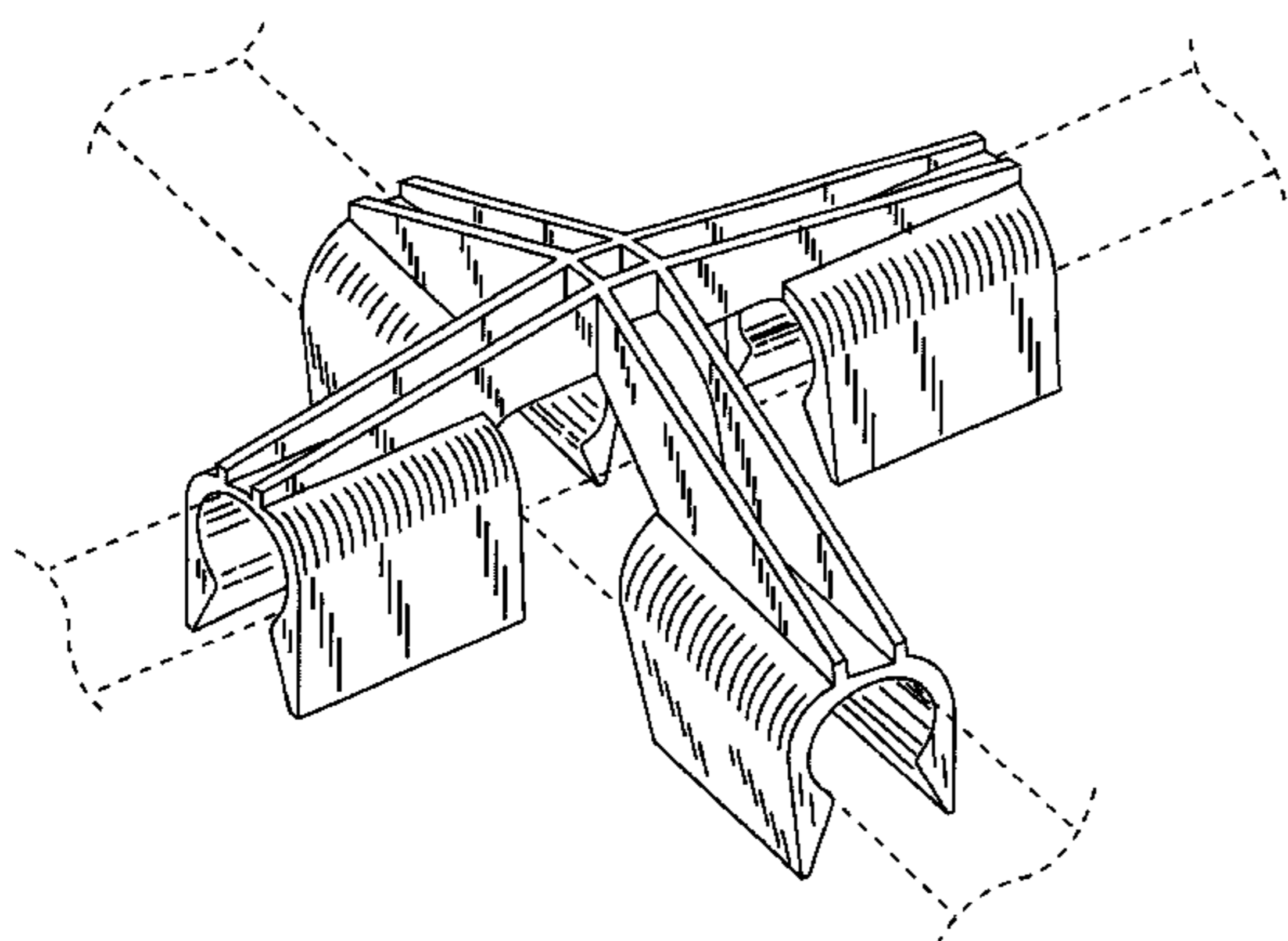
FIG. 4 is a bottom plan view thereof;

FIG. 5 is a right side elevational view thereof, the left side elevational view being identical; and,

FIG. 6 is a front elevational view thereof.

The broken line showing of re-bar in FIGS. 1 and 6 is for illustrative purposes only and forms no part of the claimed design.

1 Claim, 3 Drawing Sheets



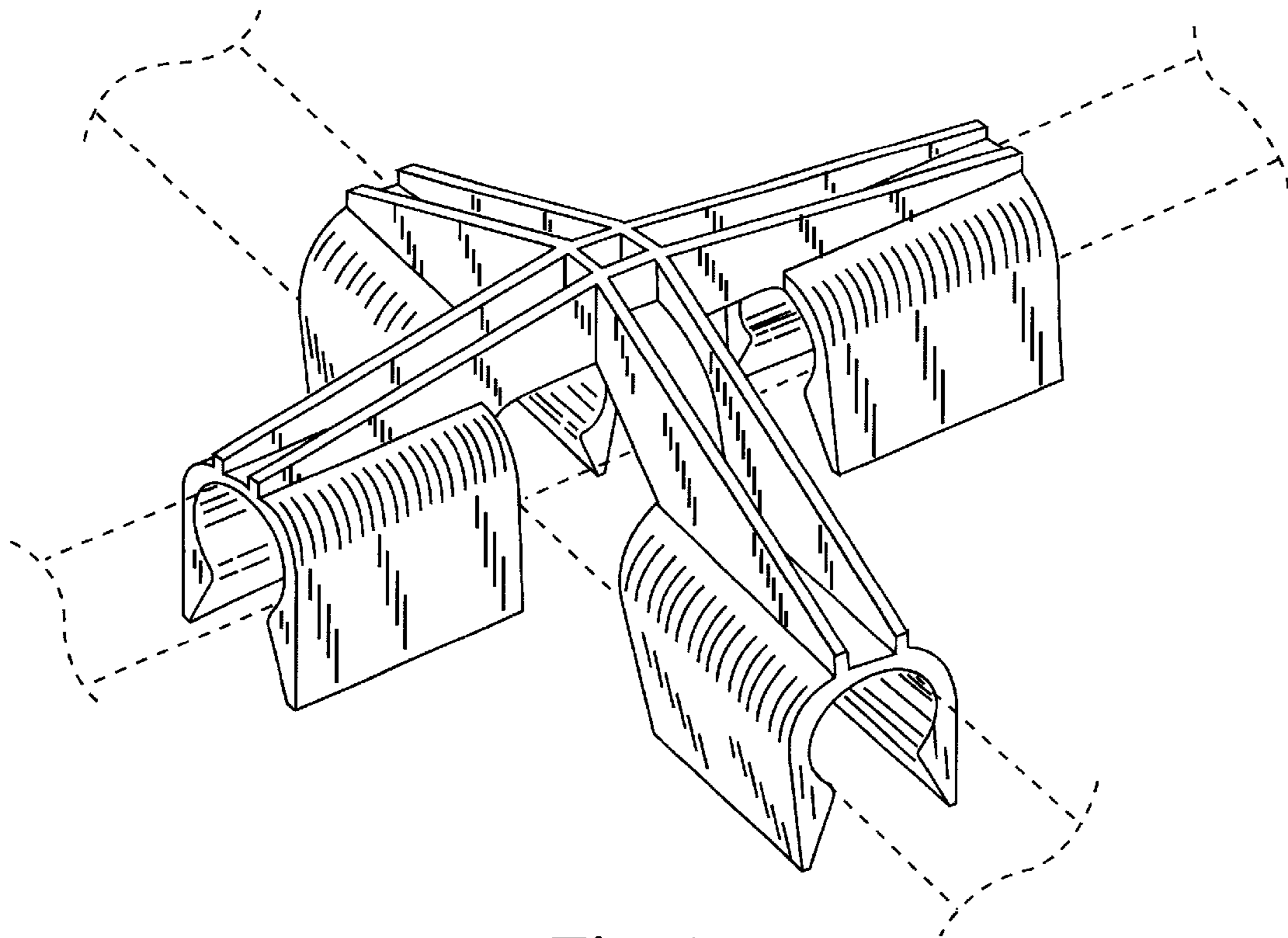


Fig. 1

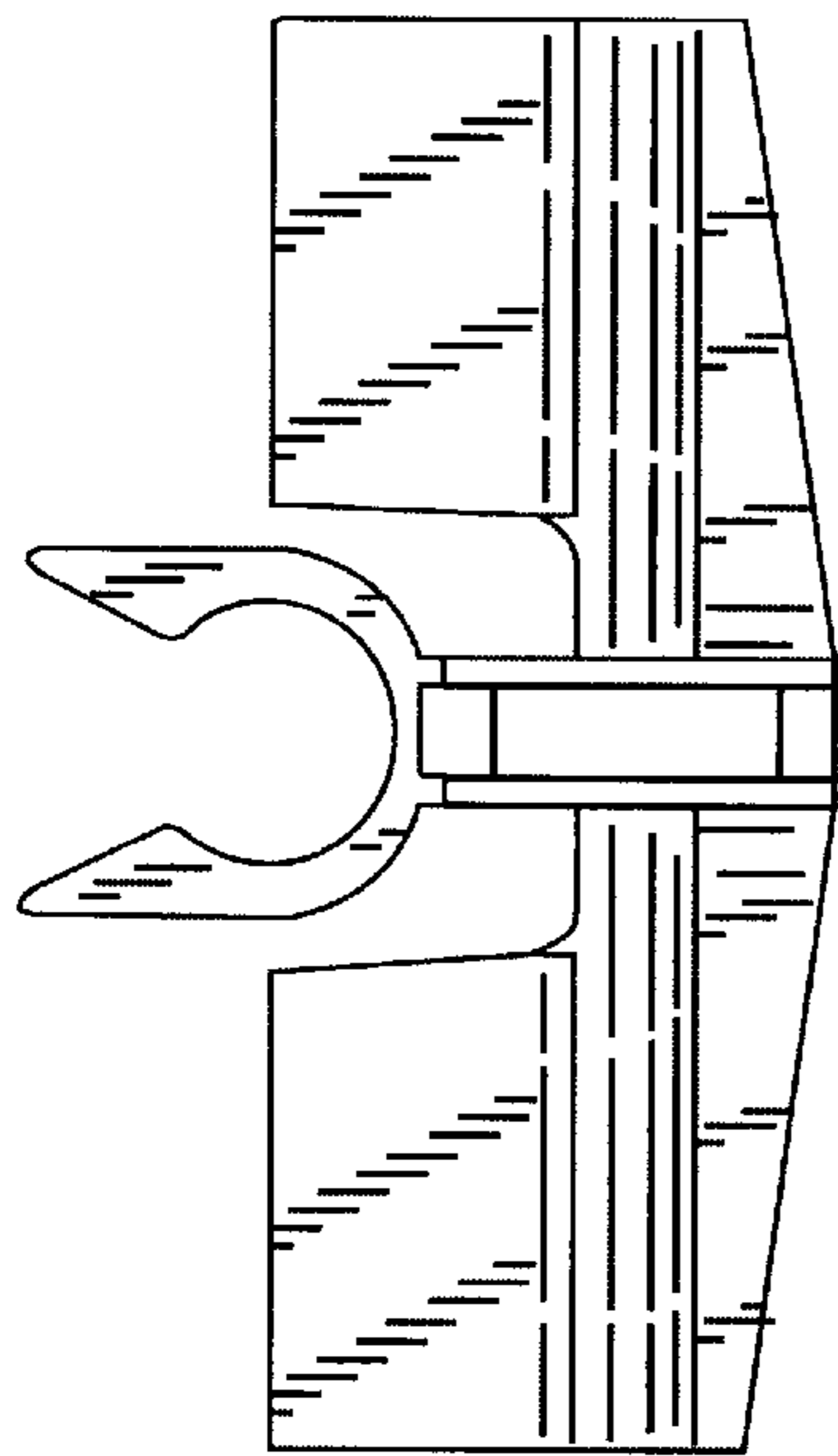


Fig. 2

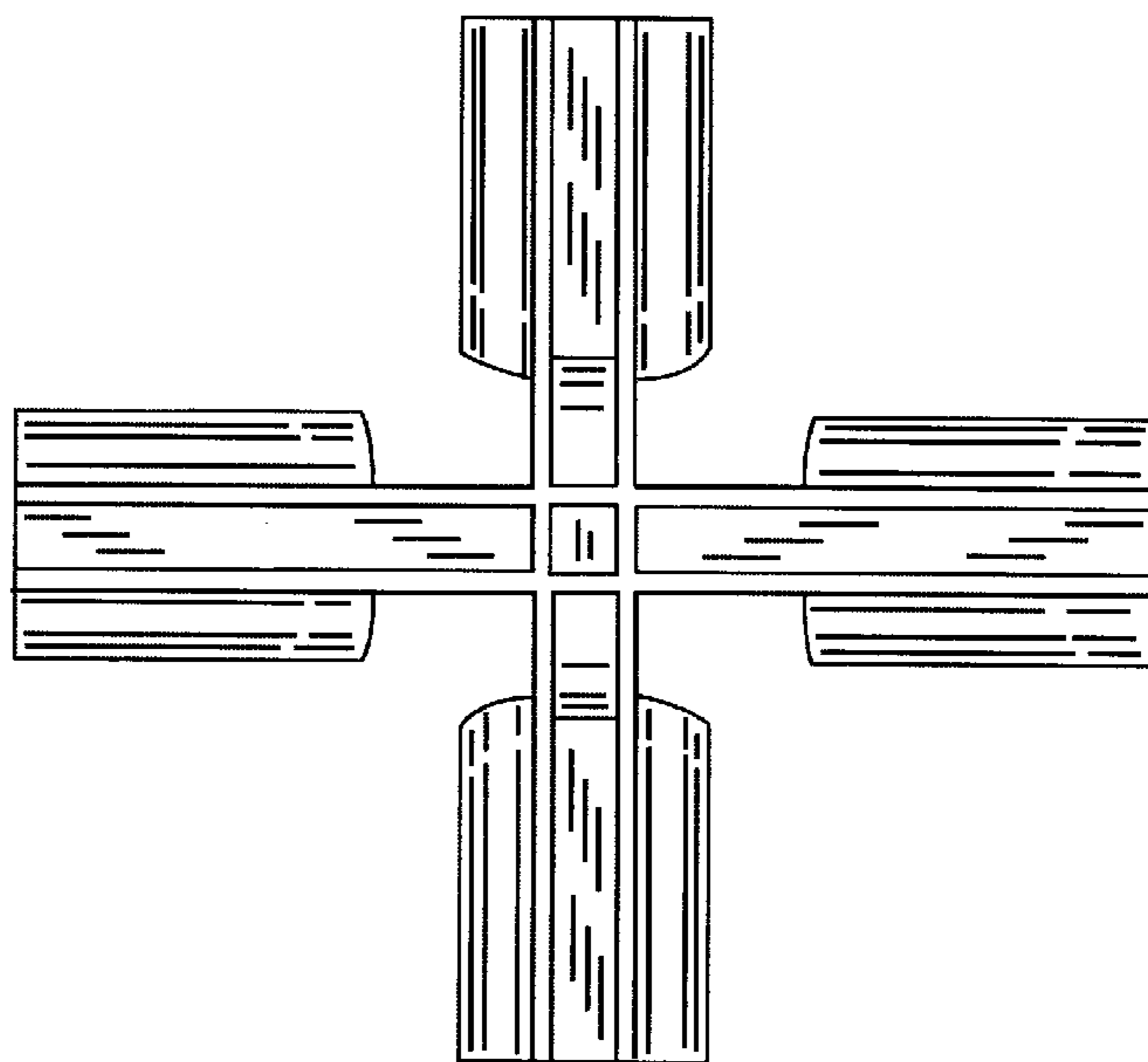


Fig. 3

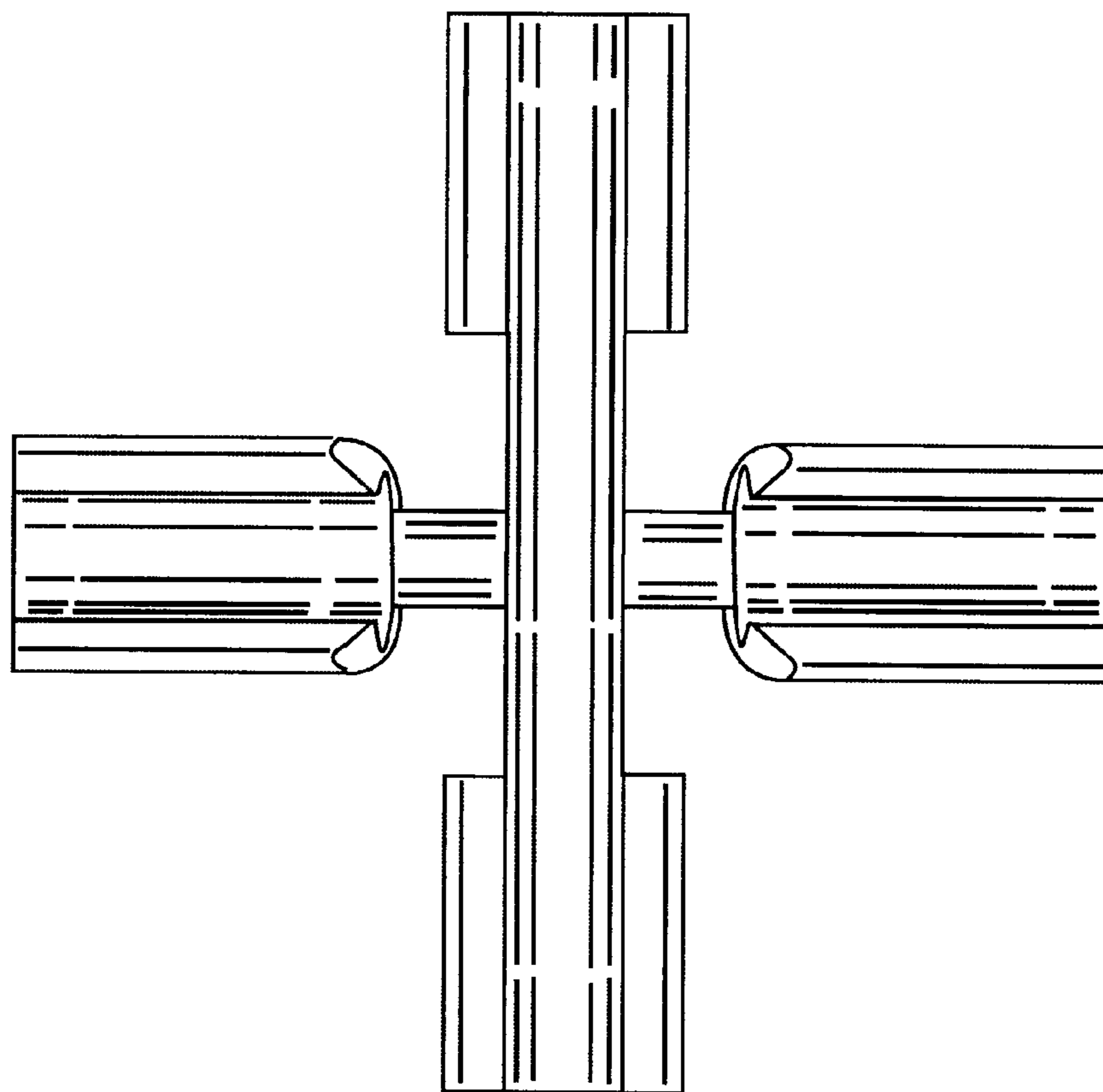


Fig. 4

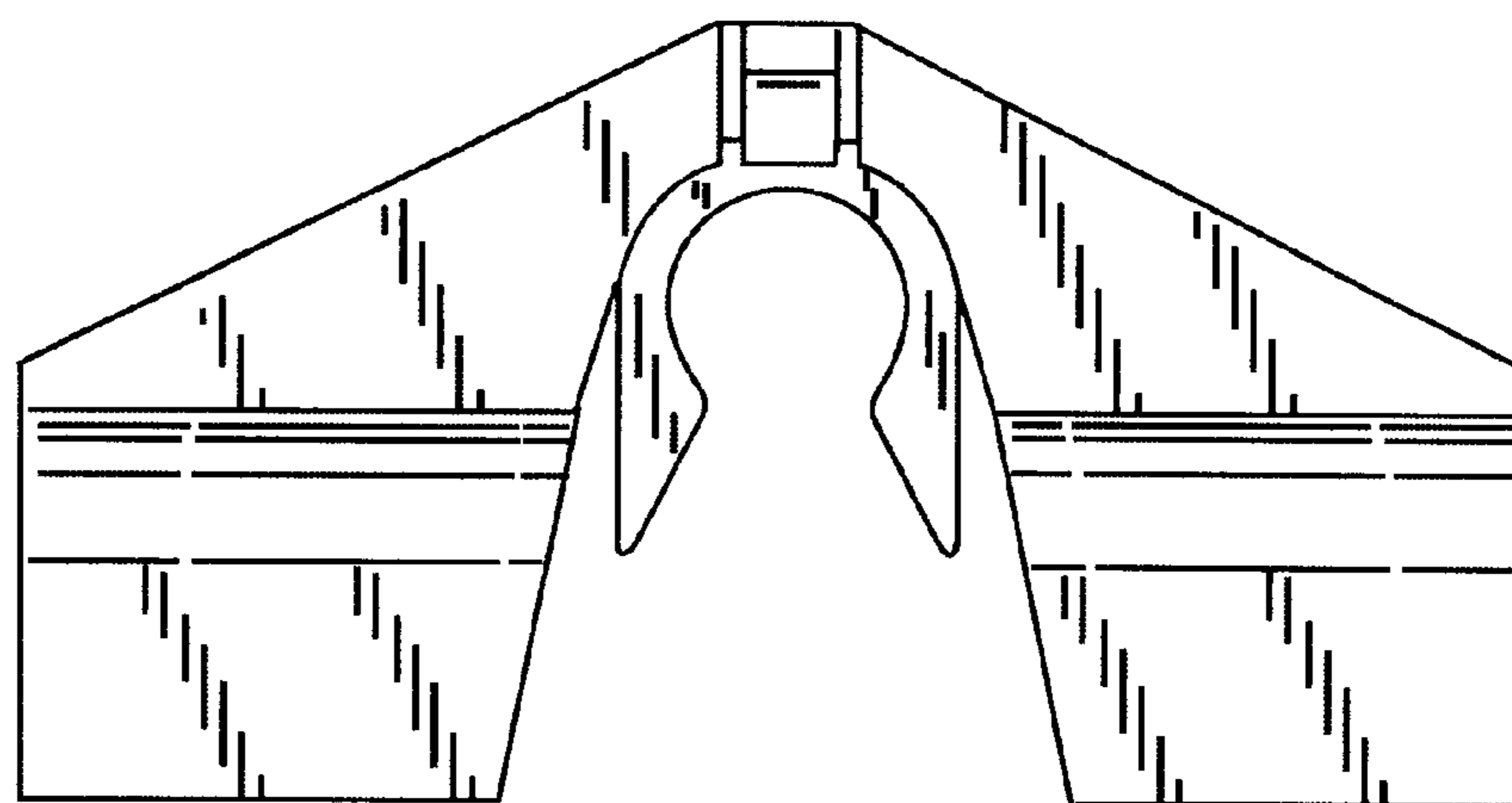


Fig. 5

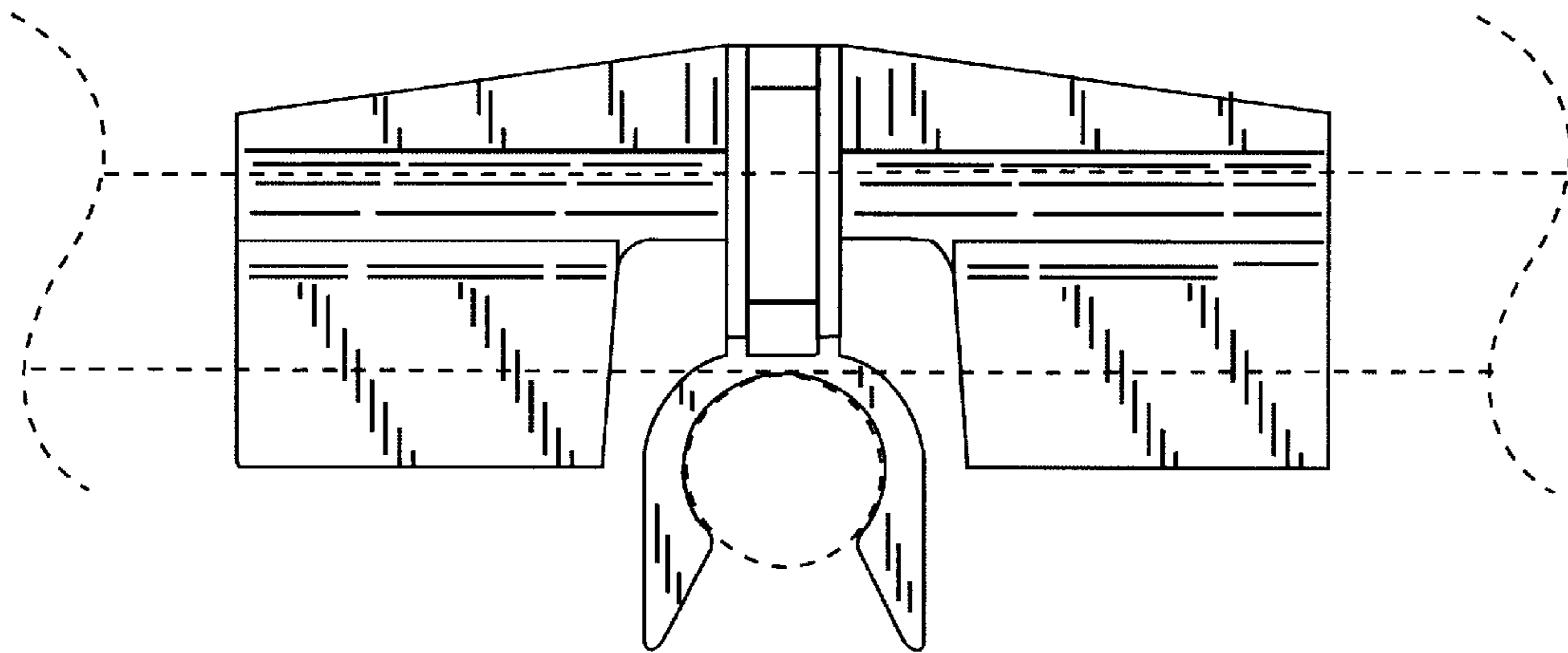


Fig. 6