



US00D526186S

(12) **United States Design Patent**  
**Haug et al.**

(10) **Patent No.:** **US D526,186 S**

(45) **Date of Patent:** **\*\* Aug. 8, 2006**

(54) **HANDLE**

(75) Inventors: **Andreas Haug**, Stuttgart (DE); **Tom Schonherr**, Stuttgart (DE); **Andreas Dimitriadis**, Lorch (DE); **Fabian Kollmann**, Stuttgart (DE); **Johann Duck**, Stuttgart (DE)

(73) Assignee: **Hansgrohe AG** (DE)

(\*\*) Term: **14 Years**

(21) Appl. No.: **29/233,485**

(22) Filed: **Jul. 5, 2005**

(30) **Foreign Application Priority Data**

Jan. 12, 2005 (EP) ..... 000278569-0006

(51) **LOC (8) Cl.** ..... **08-06**

(52) **U.S. Cl.** ..... **D8/307**

(58) **Field of Classification Search** ..... D8/300, D8/307, 310, 311, 338, DIG. 2; D23/254; 74/501.6, 503, 506, 517, 548, 553; 116/309, 116/311-312; 200/318, 336; 411/509, 913  
See application file for complete search history.

(56) **References Cited**

U.S. PATENT DOCUMENTS

3,121,346 A \* 2/1964 Sutton ..... 74/553

D198,028 S \* 4/1964 Collins, Jr. .... D8/311  
D203,991 S \* 3/1966 Rosen ..... D8/311  
3,303,717 A \* 2/1967 Valenti ..... 74/553  
D208,918 S \* 10/1967 Dole ..... D8/311  
3,767,880 A \* 10/1973 Austin ..... 200/318  
4,334,492 A \* 6/1982 Klingler ..... 116/309  
4,409,861 A \* 10/1983 Sakurai ..... 74/501.6  
D291,237 S \* 8/1987 Delepine ..... D23/254  
D400,778 S \* 11/1998 Holbrook, Jr. .... D8/311  
D443,496 S \* 6/2001 DeCosse ..... D8/300

\* cited by examiner

*Primary Examiner*—Paula A. Greene

(74) *Attorney, Agent, or Firm*—Kwadjo Adusei-Poku; Lloyd D. Doigan

(57) **CLAIM**

The ornamental design for a handle, as shown and described.

**DESCRIPTION**

FIG. 1 is a front perspective view of a handle showing our design;  
FIG. 2 is a top plan view thereof;  
FIG. 3 is a front elevational view thereof; and,  
FIG. 4 is a side elevational view thereof.

**1 Claim, 1 Drawing Sheet**

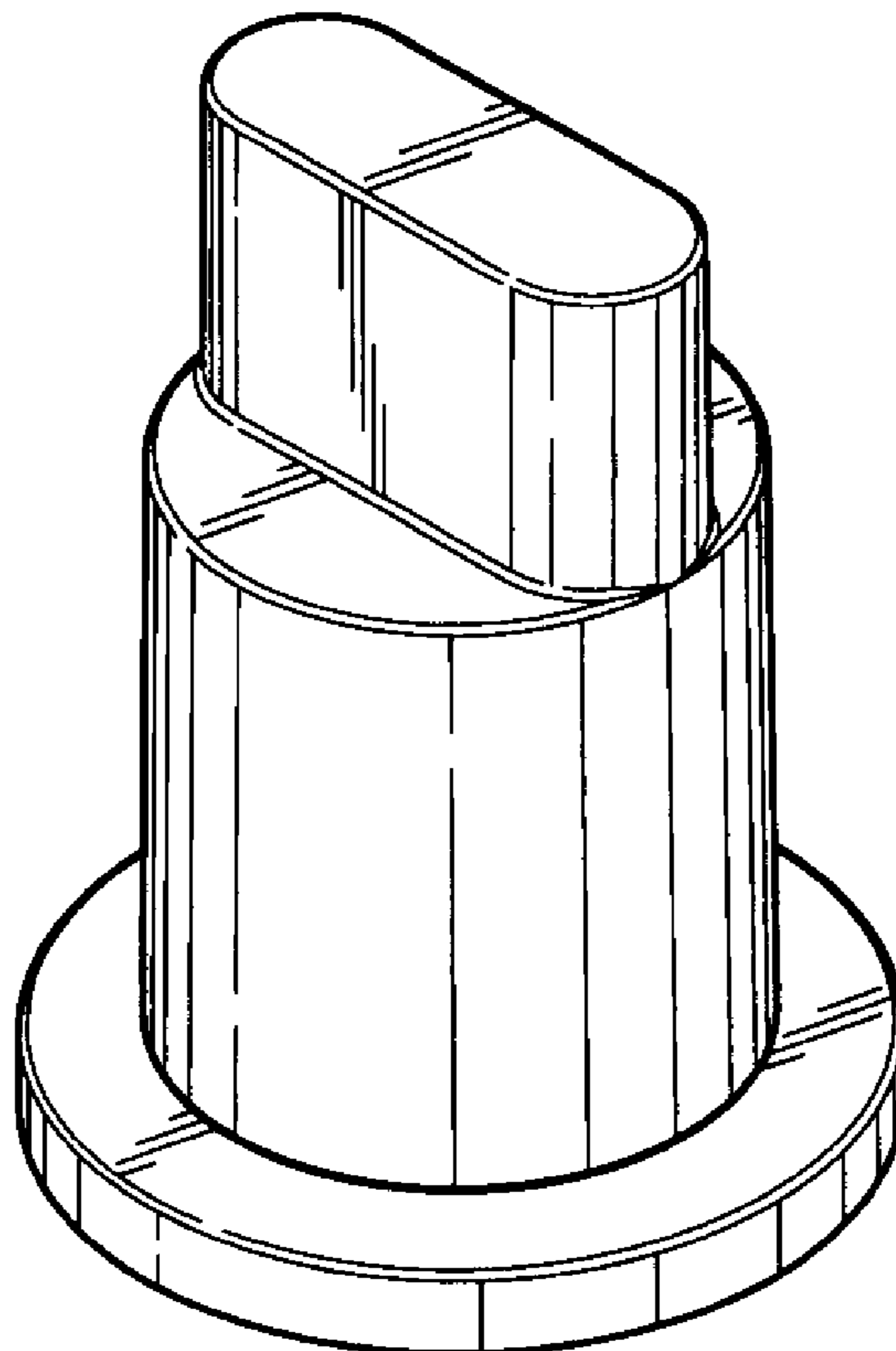


FIG. 1

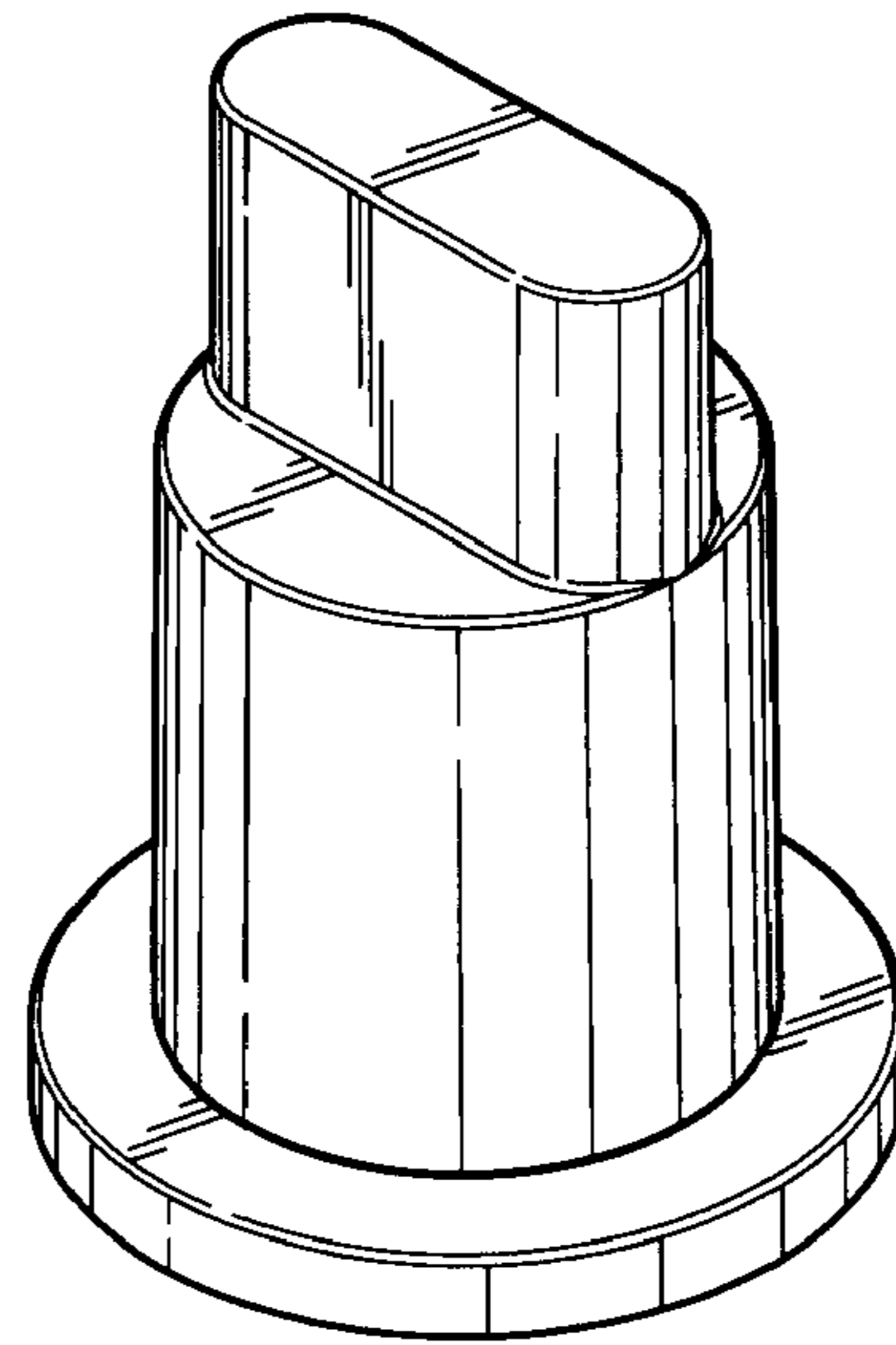


FIG. 2

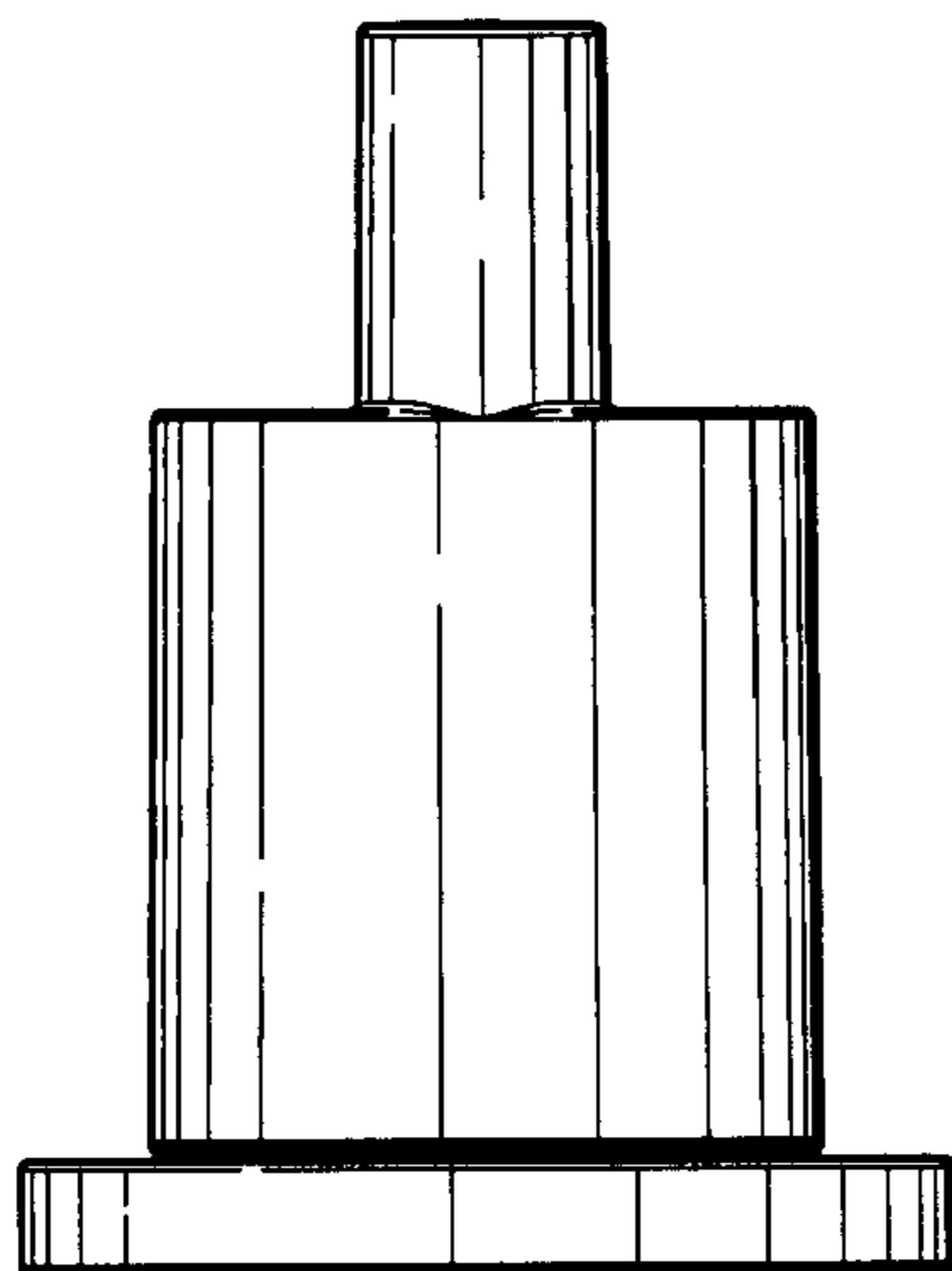
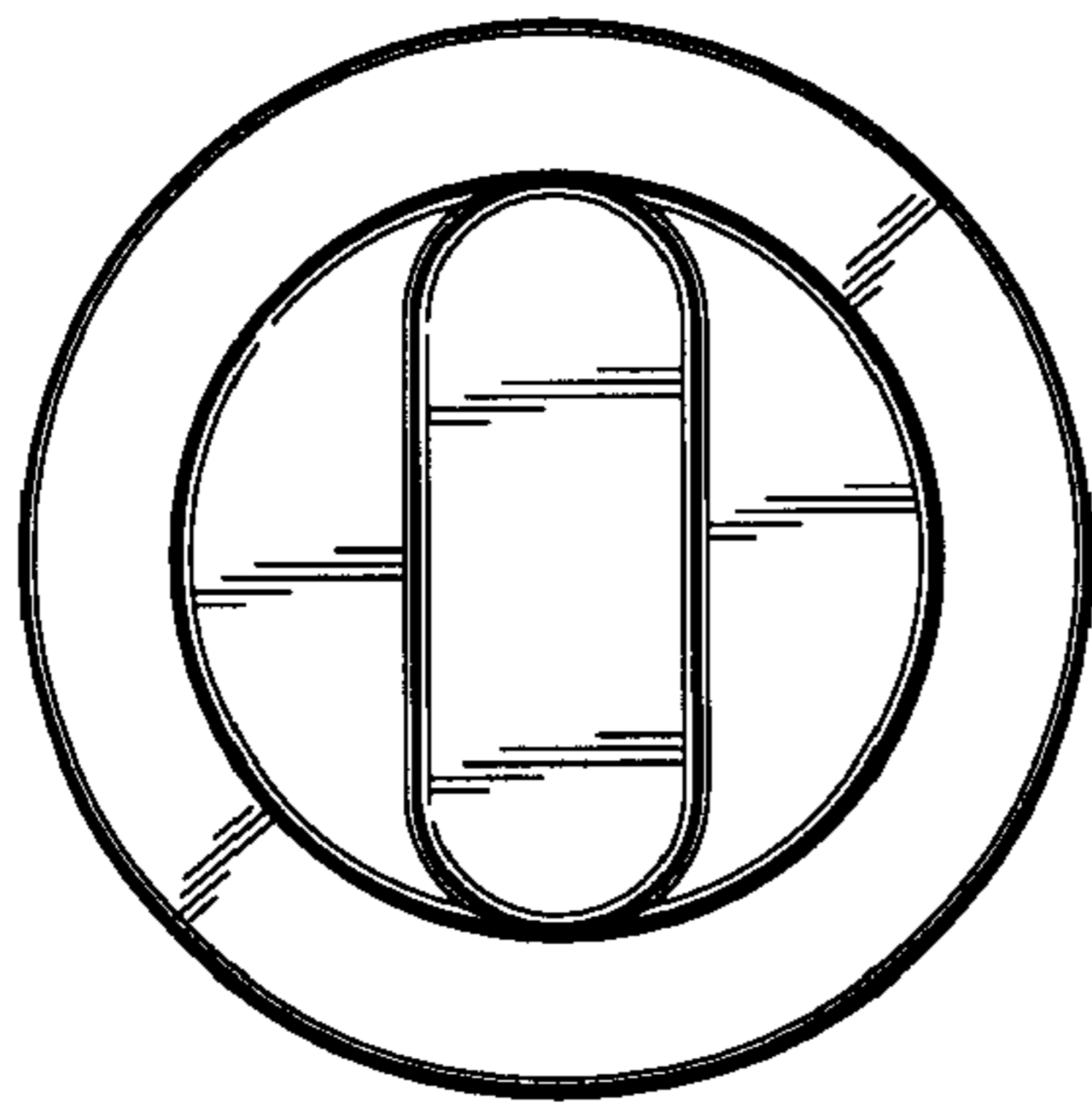


FIG. 3

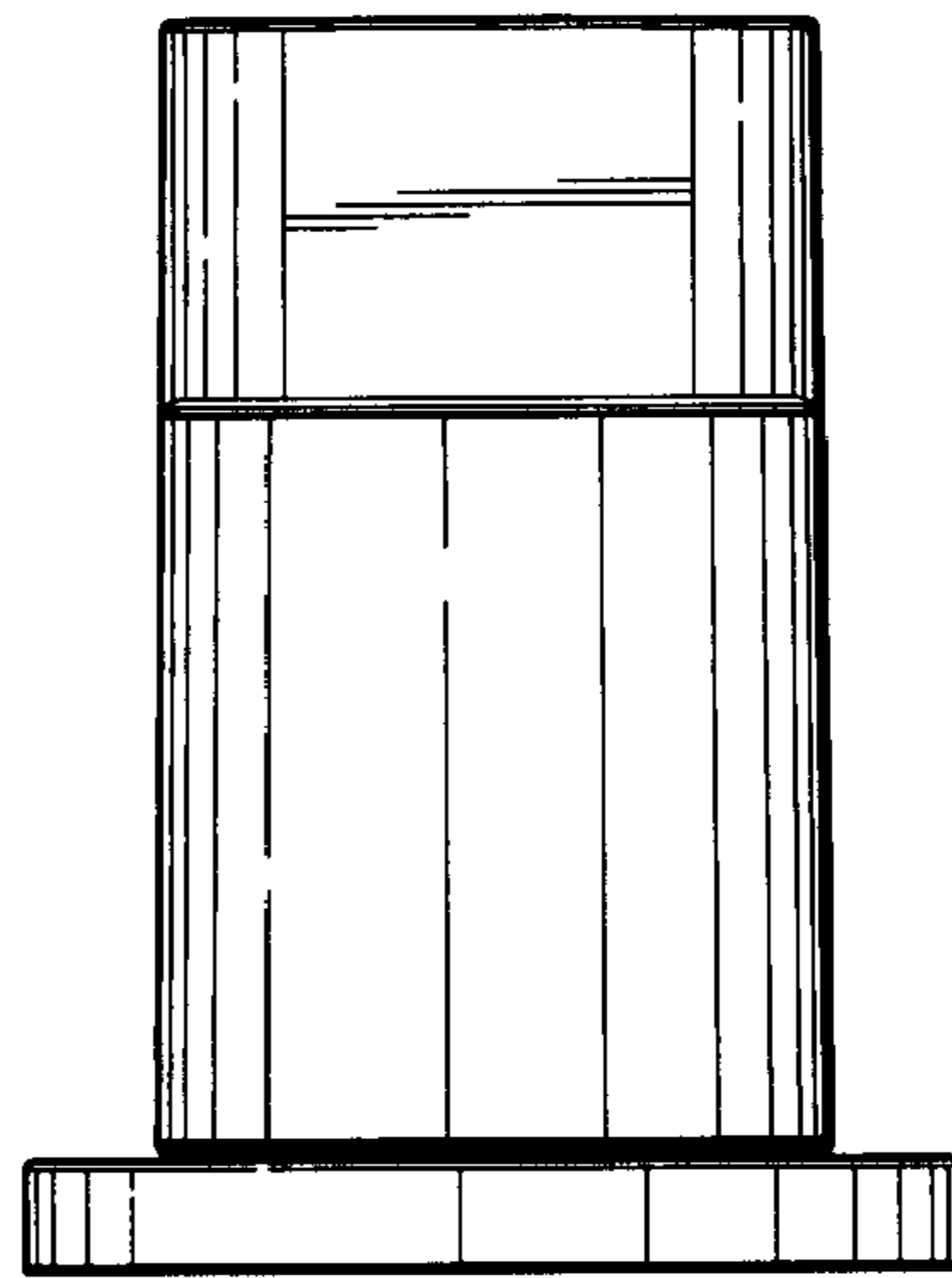


FIG. 4