



US00D526178S

(12) **United States Design Patent** (10) **Patent No.:** **US D526,178 S**
Alias (45) **Date of Patent:** **** Aug. 8, 2006**

(54) **ELECTRIC DRILL**

(75) Inventor: **Zaal Azhar Alias**, Penang (MY)

(73) Assignee: **Robert Bosch GmbH**, Stuttgart (DE)

(**) Term: **14 Years**

(21) Appl. No.: **29/186,865**

(22) Filed: **Jul. 23, 2003**

(30) **Foreign Application Priority Data**

Jan. 24, 2003 (DE) 4 03 00 527

(51) **LOC (8) Cl.** **08-01**

(52) **U.S. Cl.** **D8/68**

(58) **Field of Classification Search** D8/14.1,
D8/61, 62, 63, 64, 65, 66, 67, 68, 69, 70;
81/57.11, 429, 464, 465, 466, 469, 489; 173/13,
173/169, 178, 213, 217; 227/8, 114, 120,
227/130, 136, 142; 310/50; 408/20, 124,
408/125, 234, 241 R; 451/358

See application file for complete search history.

(56) **References Cited**

U.S. PATENT DOCUMENTS

4,098,351	A	*	7/1978	Alessio	173/13
D279,862	S	*	7/1985	Sato et al.	D8/61
D280,797	S	*	10/1985	Sakamoto et al.	D8/68
D280,883	S	*	10/1985	Sakamoto et al.	D8/68
D316,021	S	*	4/1991	Bunyea	D8/68
D319,763	S	*	9/1991	Reiferscheid	D8/68
5,056,607	A	*	10/1991	Sanders	173/217
D353,526	S	*	12/1994	Hoshino	D8/68
D403,565	S	*	1/1999	Chung	D8/68
D406,742	S	*	3/1999	Schoen et al.	D8/68
5,984,020	A	*	11/1999	Meyer et al.	173/217
D439,123	S	*	3/2001	Sakai et al.	D8/68
D441,268	S	*	5/2001	Heun	D8/68
D466,386	S	*	12/2002	Zurwelle	D8/68
D482,254	S	*	11/2003	Tsuzuki et al.	D8/68
D486,049	S	*	2/2004	Sugiura et al.	D8/68
D490,677	S	*	6/2004	Chung et al.	D8/68
D496,574	S	*	9/2004	Sakai et al.	D8/68
D498,400	S	*	11/2004	Wu	D8/68

D502,376	S	*	3/2005	Andriolo	D8/68
2003/0146008	A1	*	8/2003	Andriolo	173/217
2004/0020671	A1	*	2/2004	Lamprecht et al.	173/217

FOREIGN PATENT DOCUMENTS

GB 2068866 S * 3/1997

* cited by examiner

Primary Examiner—T. Chase Nelson

(74) *Attorney, Agent, or Firm*—Michael J. Striker

(57) **CLAIM**

The ornamental design for an electric drill, as shown and described.

DESCRIPTION

FIG. 1 is a front perspective view of an electric drill showing my new design;

FIG. 2 is a side view thereof;

FIG. 3 is the opposite side view of FIG. 2;

FIG. 4 is a front view thereof;

FIG. 5 is a rear view thereof;

FIG. 6 is a top view thereof;

FIG. 7 is a bottom view thereof;

FIG. 8 is a front perspective view of an alternative embodiment of an electric drill showing my new design;

FIG. 9 is a side view thereof;

FIG. 10 is the opposite side view of FIG. 9;

FIG. 11 is a front view thereof;

FIG. 12 is a rear view thereof;

FIG. 13 is a top view thereof; and,

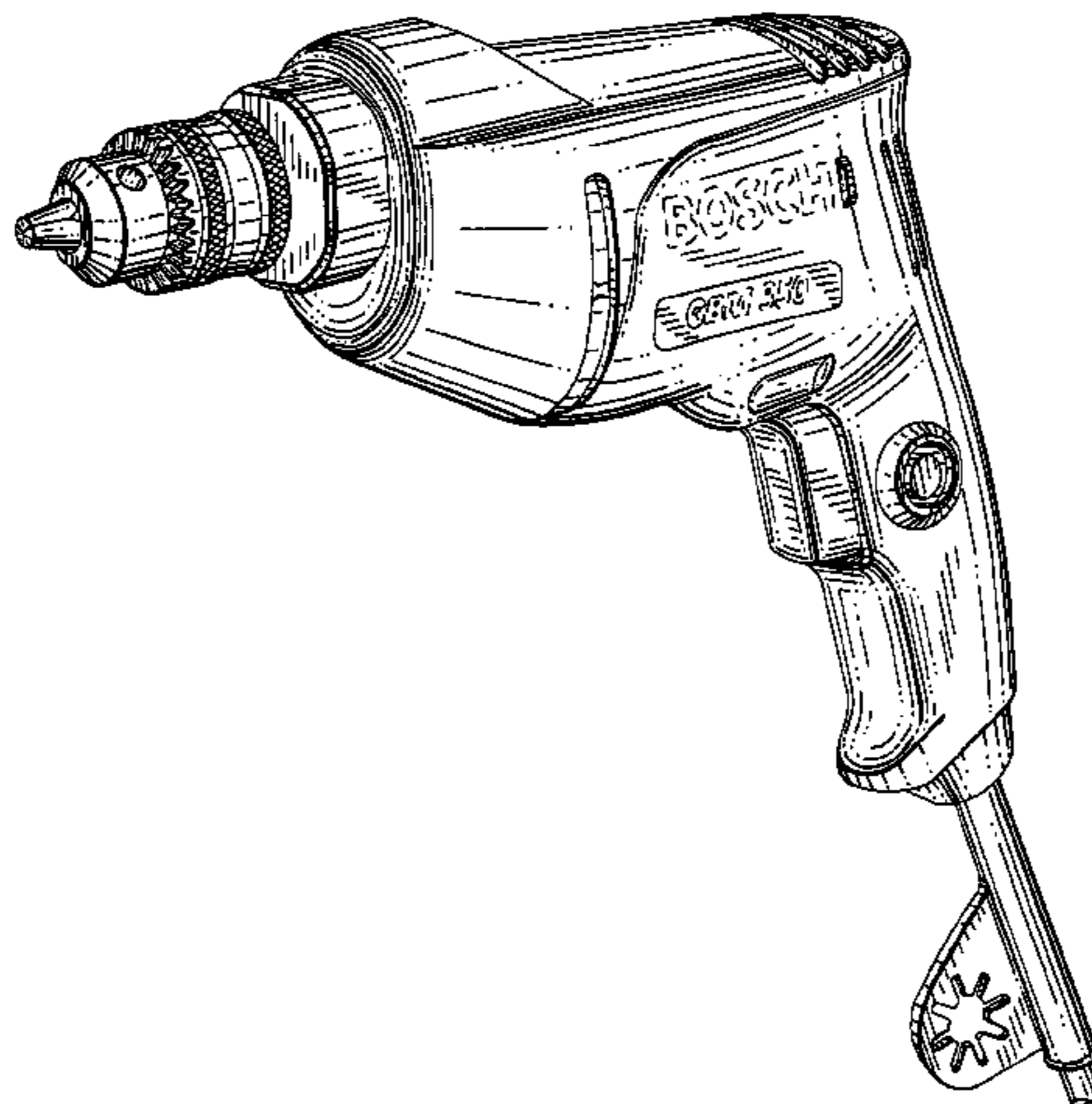
FIG. 14 is a bottom view thereof.

The power cord is shown broken away in the drawing views in order to indicate that a specific length of power cord forms no part of the claimed design.

The stipple shading seen on the trigger and button in the FIGS. 8, 9, 10, 11, 12, and 14 views is used to denote a color contrast between these elements and the body of the electric drill.

The broken line showing of environmental structure is for illustrative purposes only and forms no part of the claimed design.

1 Claim, 14 Drawing Sheets



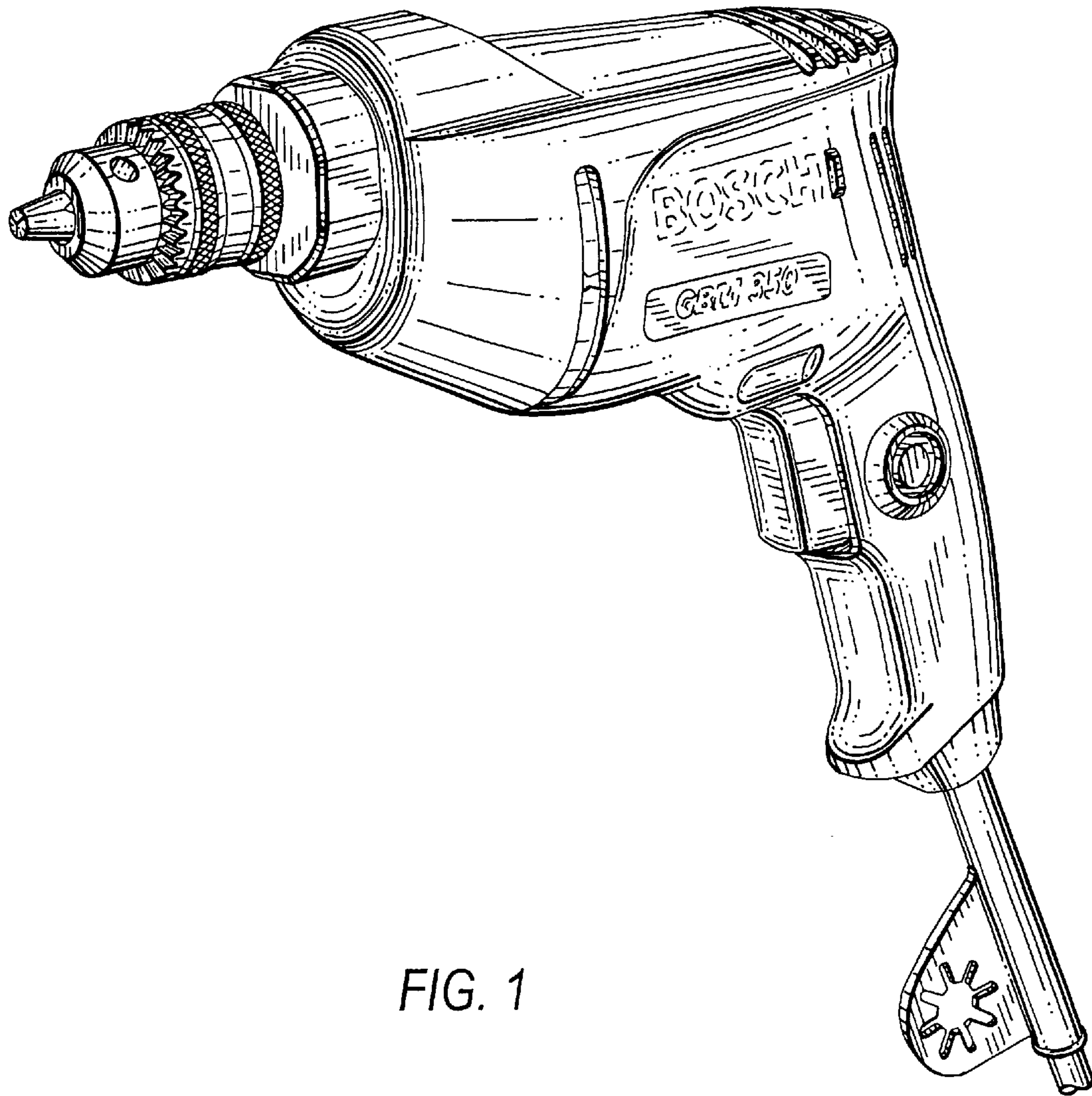


FIG. 1

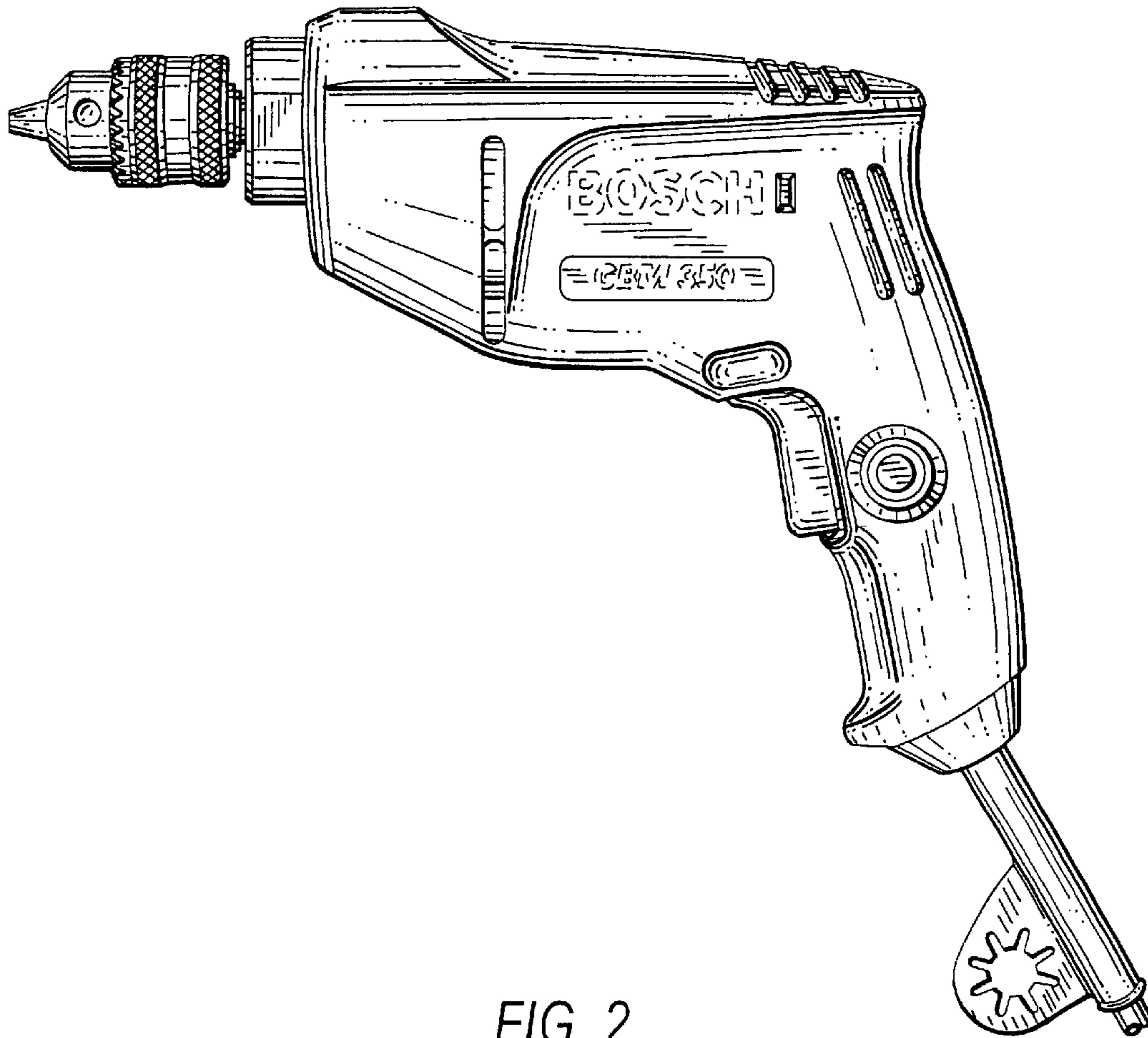


FIG. 2

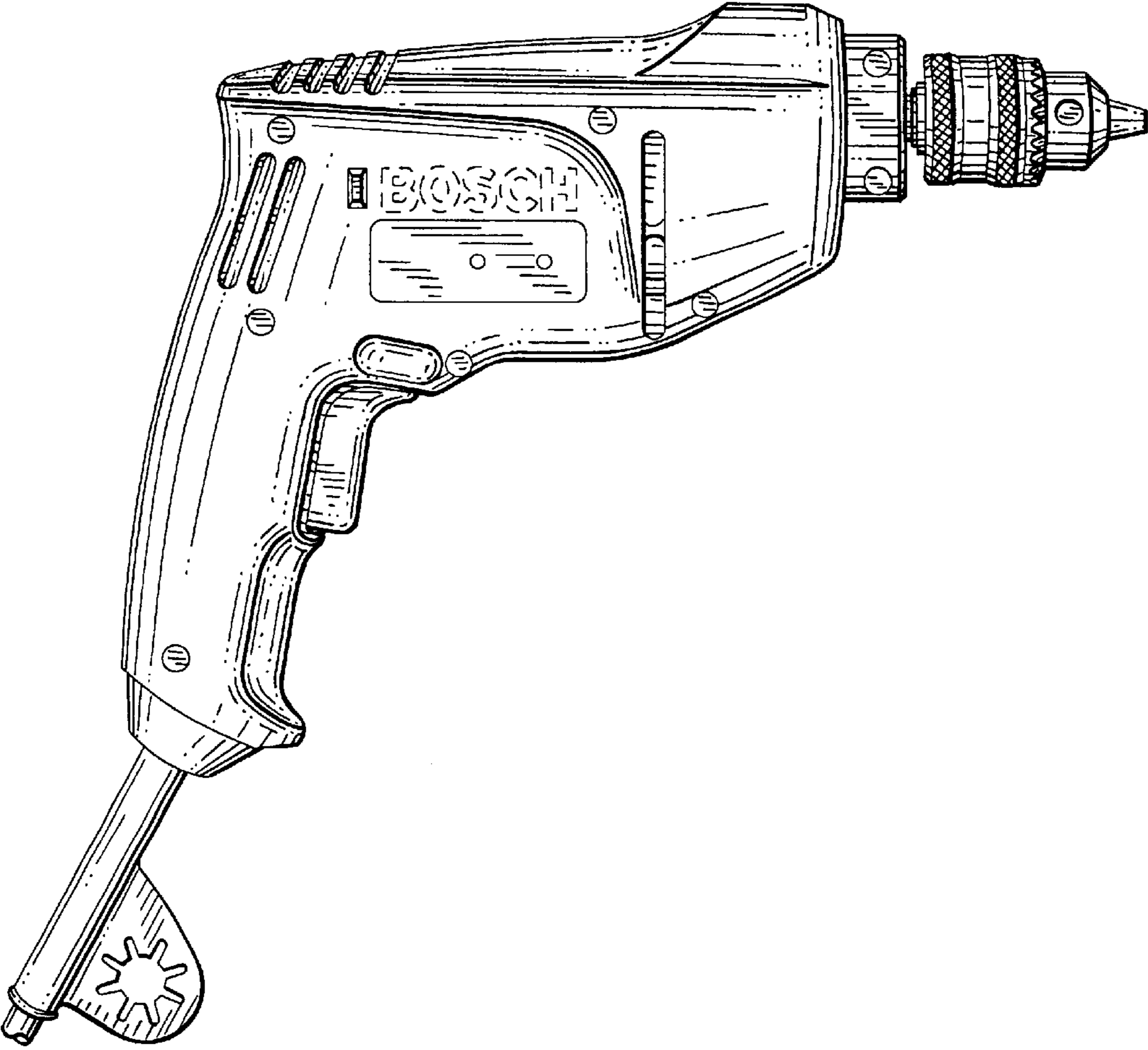


FIG. 3

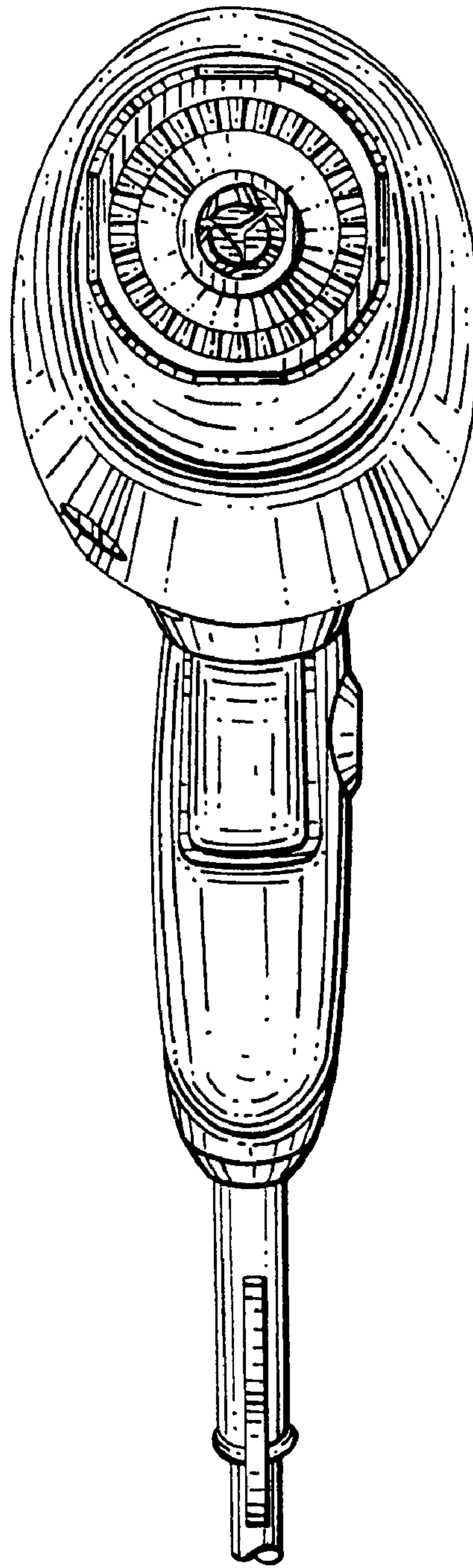


FIG. 4

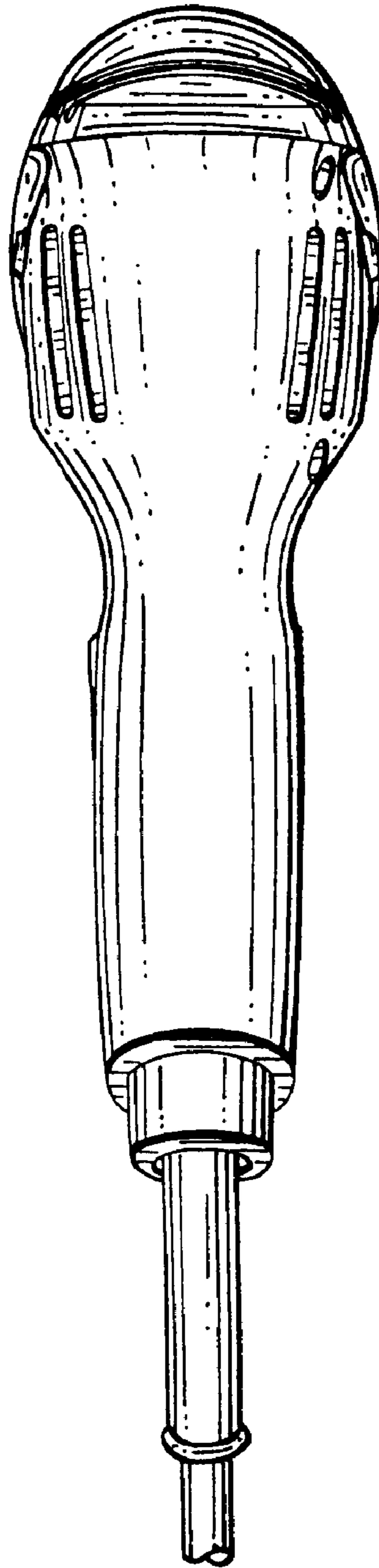


FIG. 5

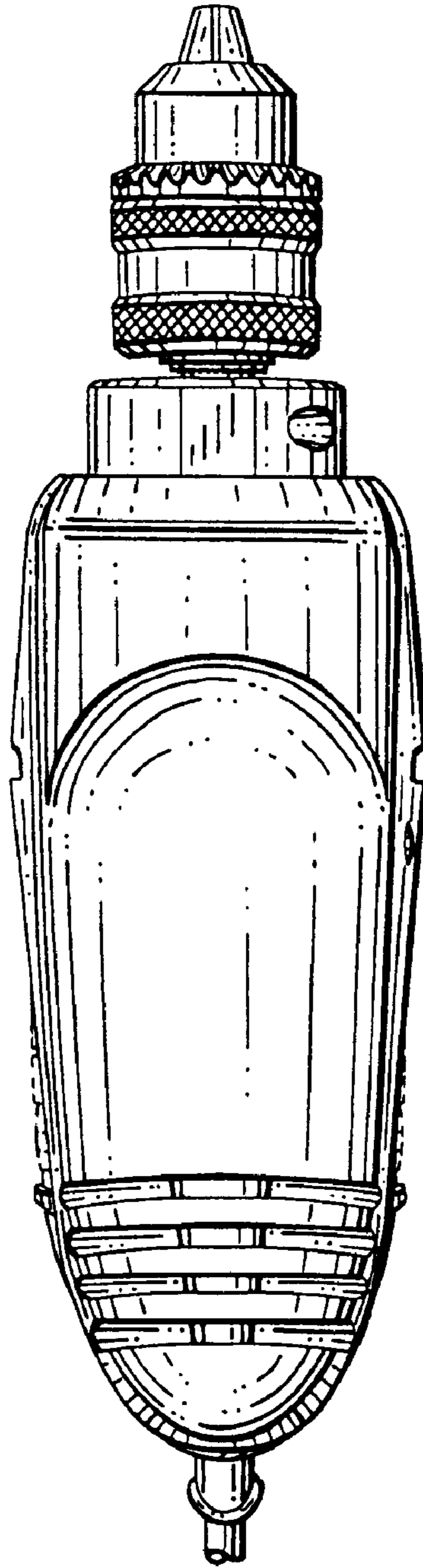


FIG. 6

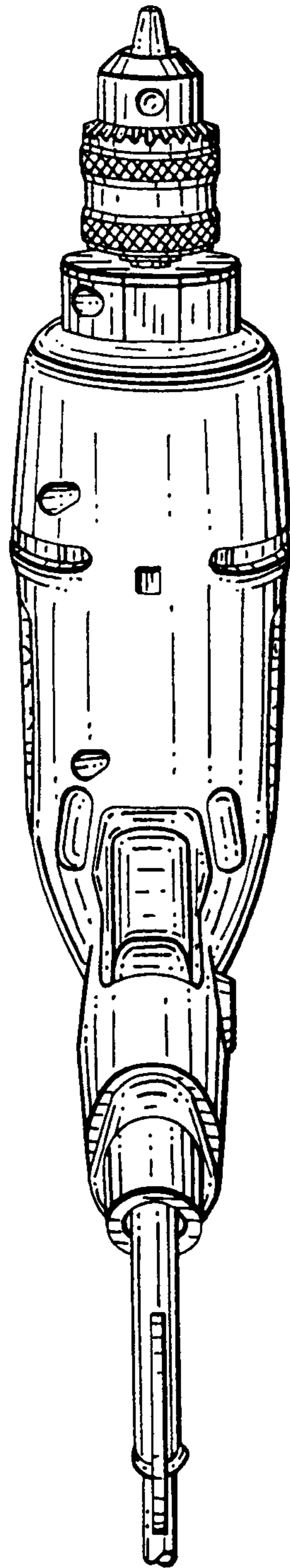


FIG. 7

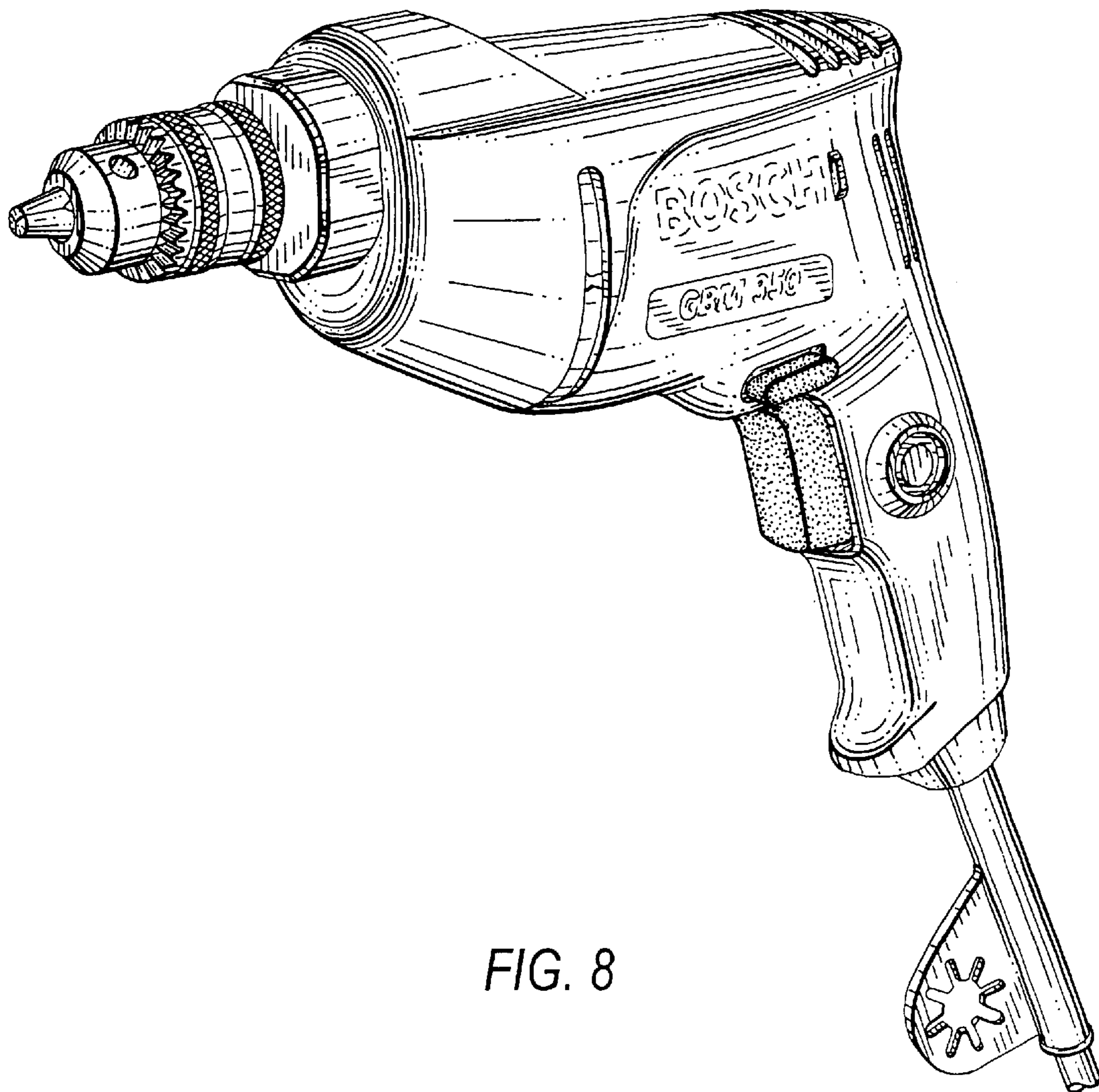


FIG. 8

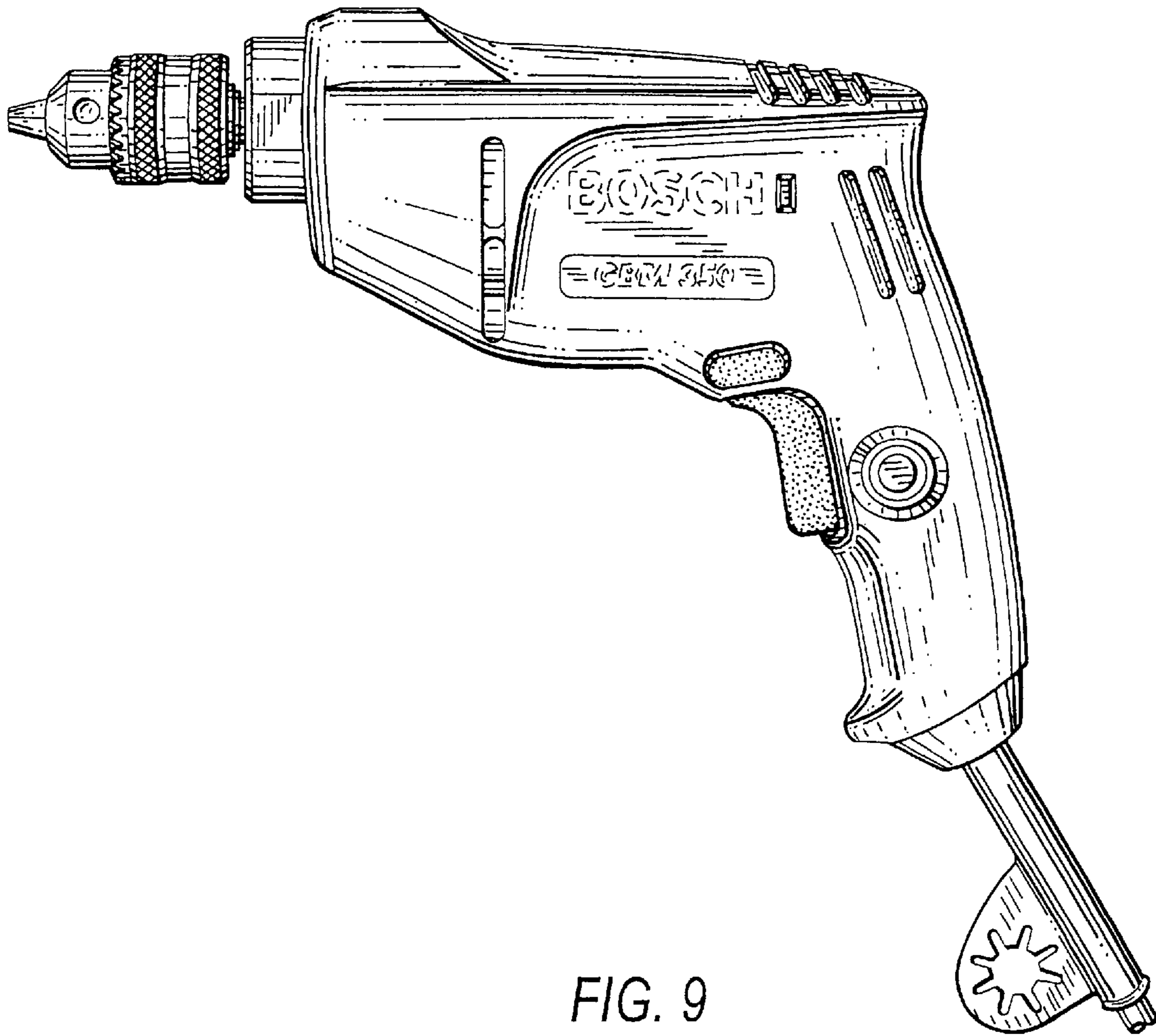


FIG. 9

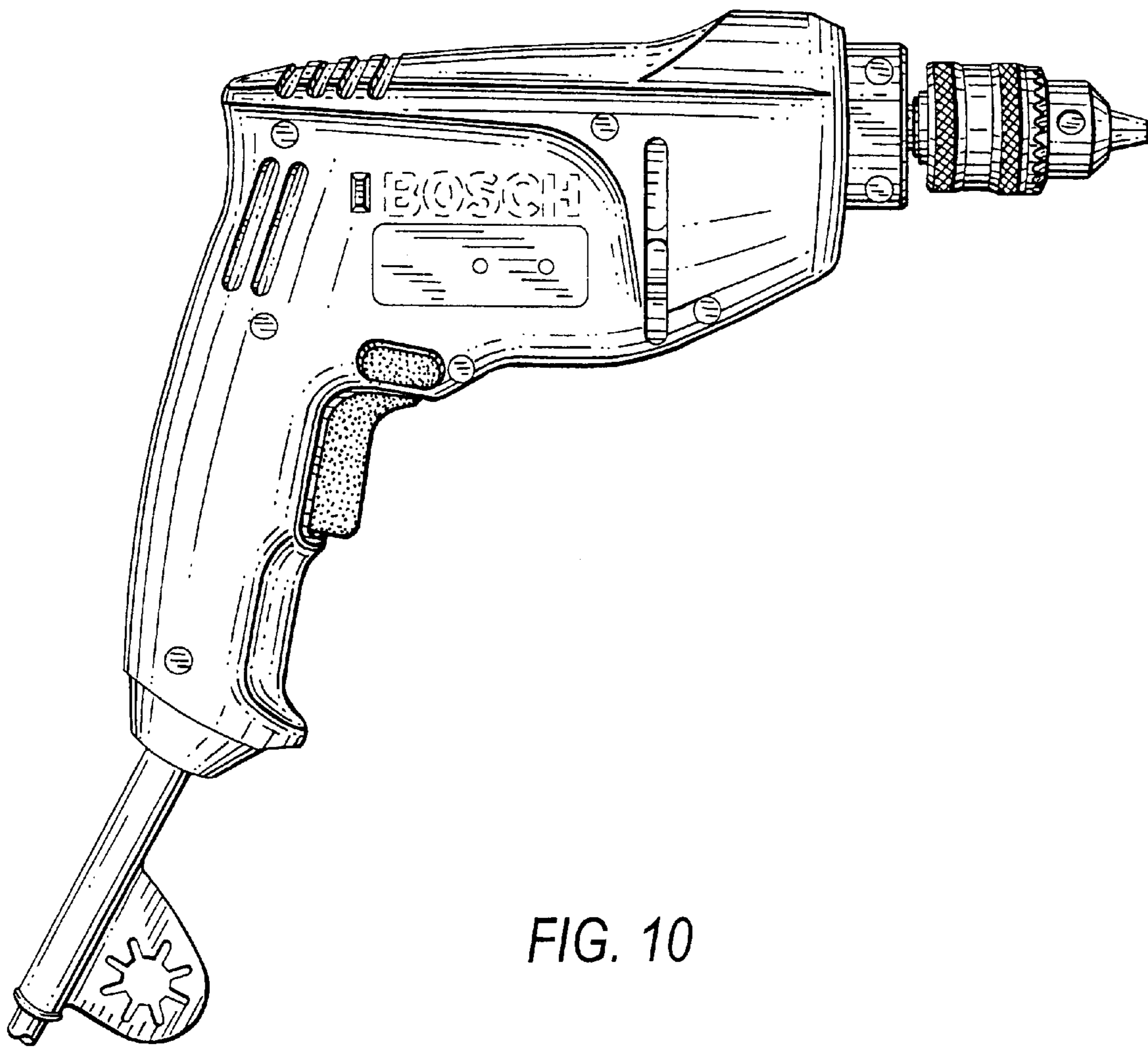


FIG. 10

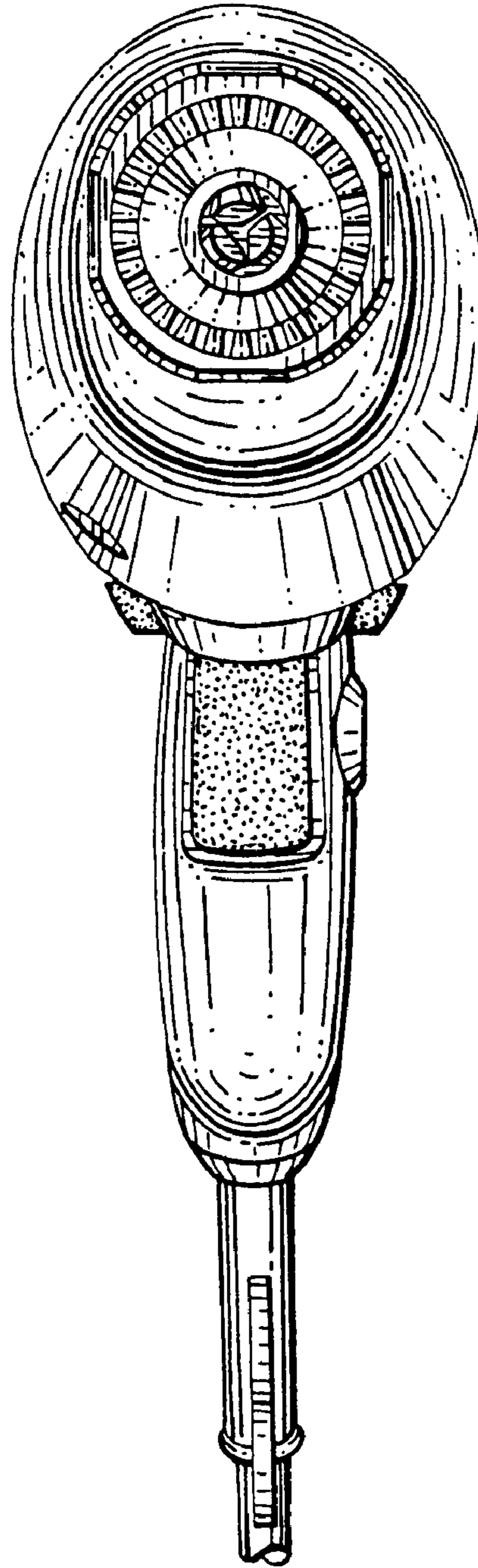


FIG. 11

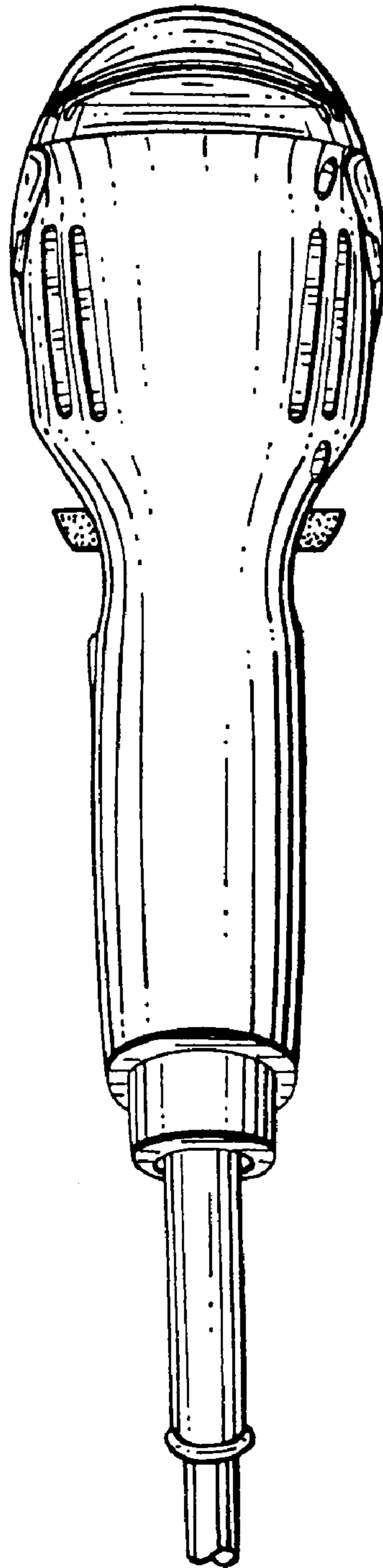


FIG. 12

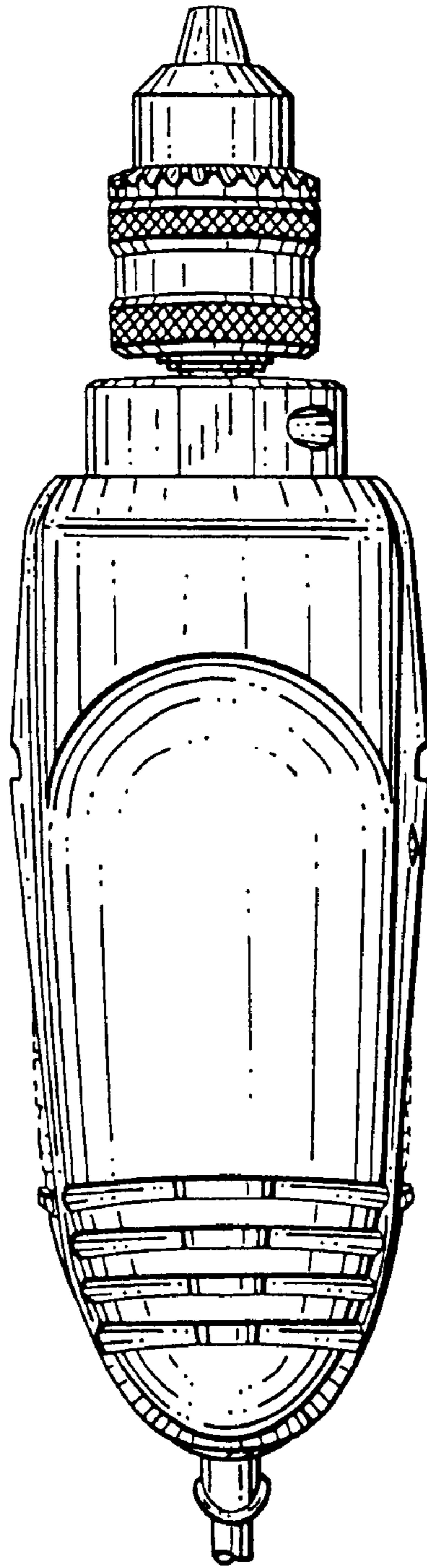


FIG. 13

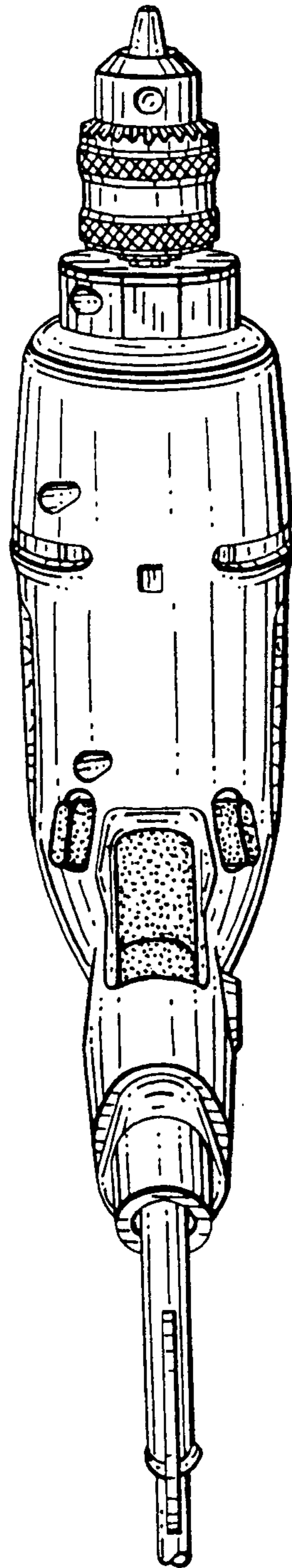


FIG. 14