

US00D526176S

(12) **United States Design Patent**
Lopano et al.

(10) **Patent No.:** **US D526,176 S**

(45) **Date of Patent:** **** Aug. 8, 2006**

(54) **DRYWALL CUTOUT TOOL**

(75) Inventors: **Daniel N. Lopano**, Towson, MD (US);
James B. Watson, Fallston, MD (US)

(73) Assignee: **Black & Decker**, Newark, DE (US)

(**) Term: **14 Years**

(21) Appl. No.: **29/207,028**

(22) Filed: **Jun. 8, 2004**

(51) **LOC (8) Cl.** **08-04**

(52) **U.S. Cl.** **D8/61**

(58) **Field of Classification Search** D8/61,
D8/62, 68, 70, 64; 81/57.11, 57.13, 57.14,
81/57.26, 57.29, 57.39, 57.42, 63.1, 429,
81/464, 467, 469, 470, 473; 173/168, 169,
173/170, 176, 177, 178, 181, 216, 217; 73/862.21;
310/50; 409/182; D24/146

See application file for complete search history.

(56) **References Cited**

U.S. PATENT DOCUMENTS

D364,790 S	12/1995	Duennes	
D380,658 S	* 7/1997	Bruno et al.	D8/61
D391,820 S	* 3/1998	Bunyea	D8/61
5,829,931 A	11/1998	Doumani	
5,902,080 A	5/1999	Kopras	
D433,905 S	11/2000	Cooper	
D437,757 S	2/2001	Thomson et al.	
D438,076 S	2/2001	Wikle et al.	
D446,100 S	8/2001	Heun	
D447,030 S	8/2001	Chen	
D470,735 S	* 2/2003	Heun	D8/61

D471,781 S	3/2003	Heun	
D477,203 S	* 7/2003	Heun	D8/61
D477,758 S	* 7/2003	Chunn et al.	D8/64
D478,487 S	* 8/2003	Heun	D8/61
D481,919 S	11/2003	Sham et al.	
D484,763 S	* 1/2004	Sham et al.	D8/64
2002/0131834 A1	* 9/2002	Lui et al.	408/124

OTHER PUBLICATIONS

SENCO SS14V Cutout Saw, located @ <http://images.amazon.com/images/P/B000051WTV.01.LZZZZZZZ.jpg>.

ROTOZIP SCS02 Spiral Saw, located @ <http://images.amazon.com/images/P/B0000224P7.01.LZZZZZZZ.gif>.

* cited by examiner

Primary Examiner—Cathron C. Brooks

Assistant Examiner—Austin Murphy

(74) *Attorney, Agent, or Firm*—Michael P. Leary; Charles E. Yocum; Adan Ayala

(57) **CLAIM**

The ornamental design for a drywall cutout tool, as shown and described.

DESCRIPTION

FIG. 1 is a front/left perspective view of a drywall cutout tool showing our new design.

FIG. 2 is a front elevational view thereof.

FIG. 3 is a rear elevational view thereof.

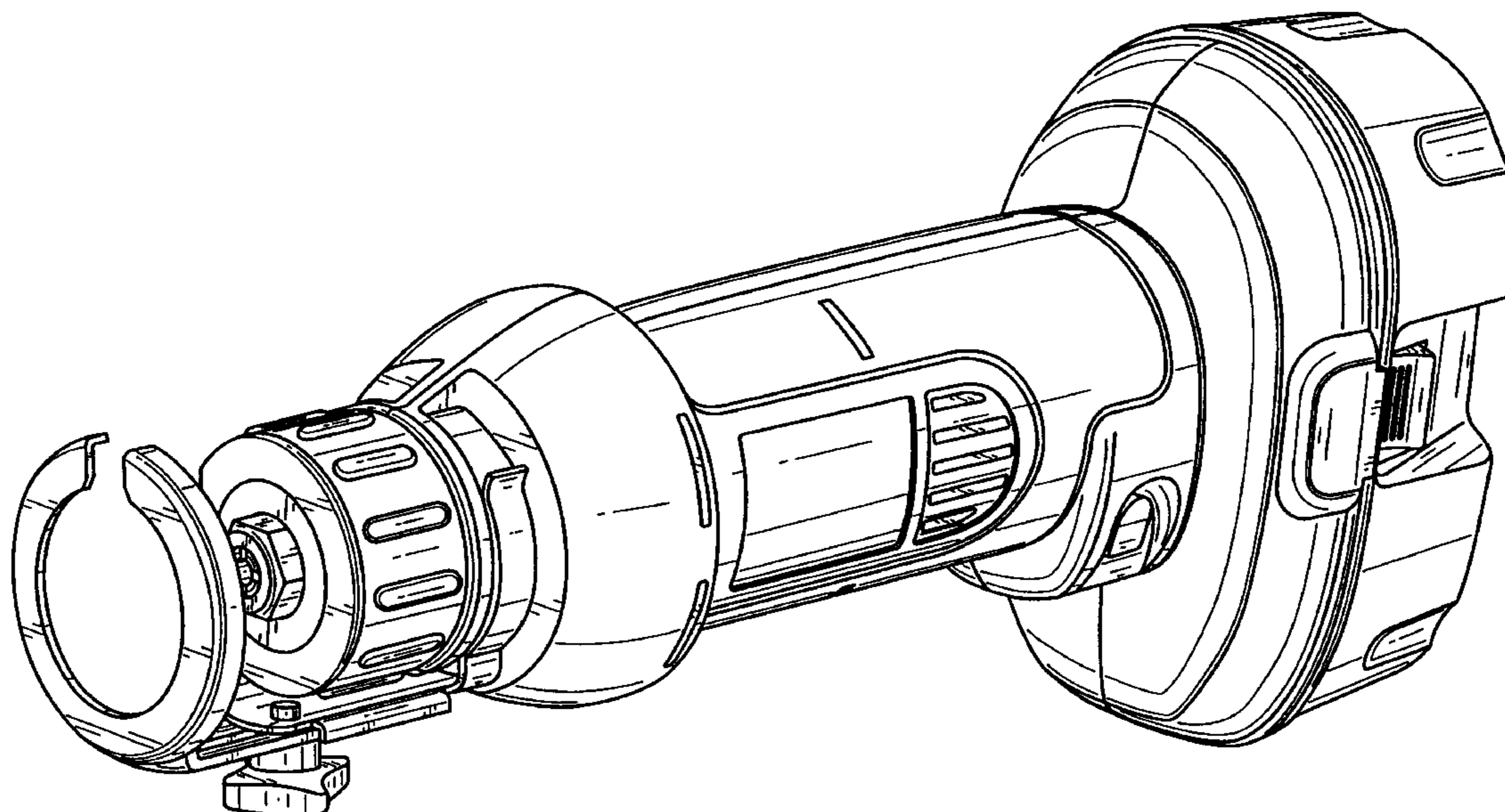
FIG. 4 is a right side elevational view thereof.

FIG. 5 is a left side elevational view thereof.

FIG. 6 is a top plan view thereof; and,

FIG. 7 is a bottom plan view thereof.

1 Claim, 6 Drawing Sheets



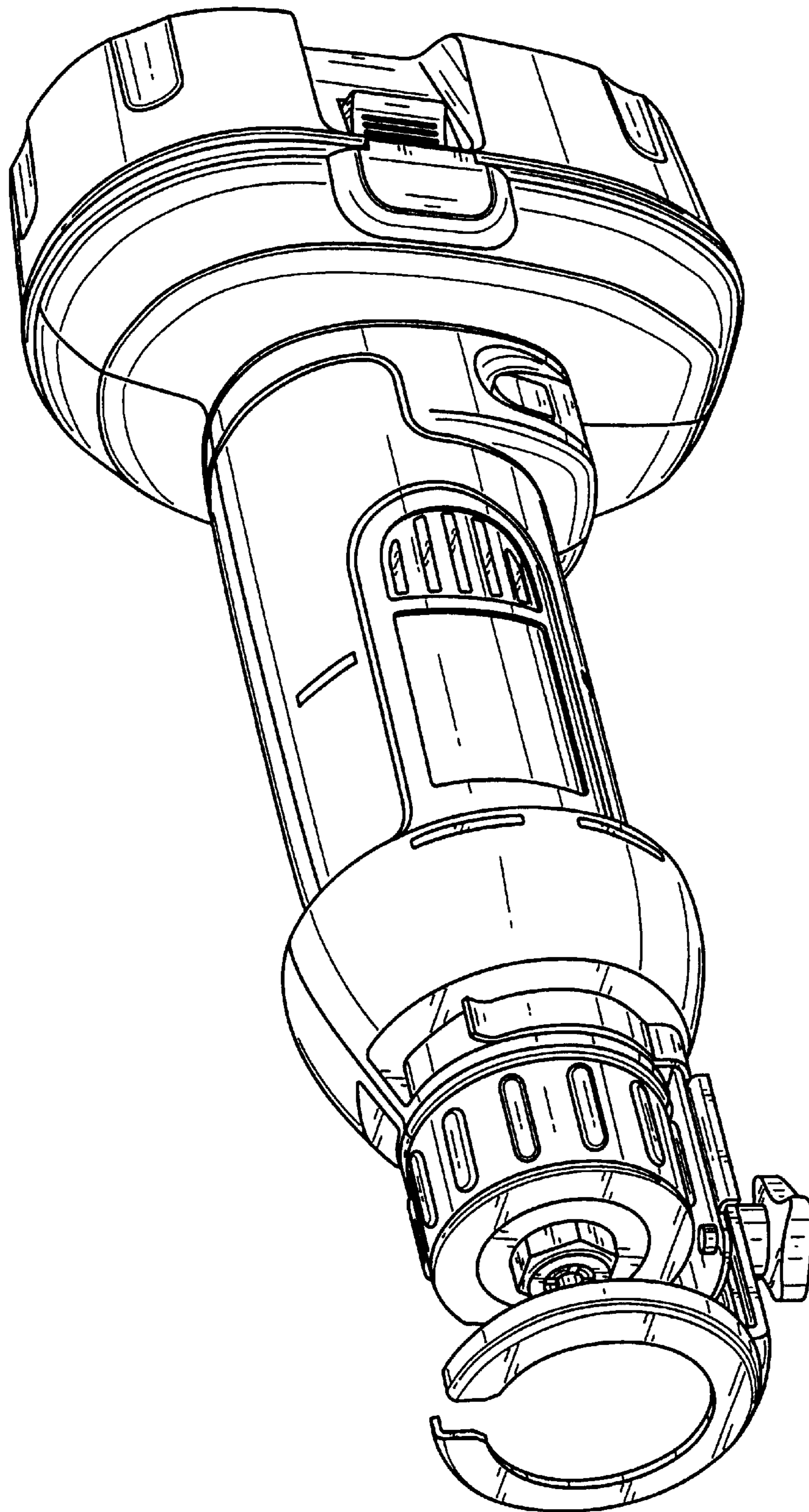


FIG. 1

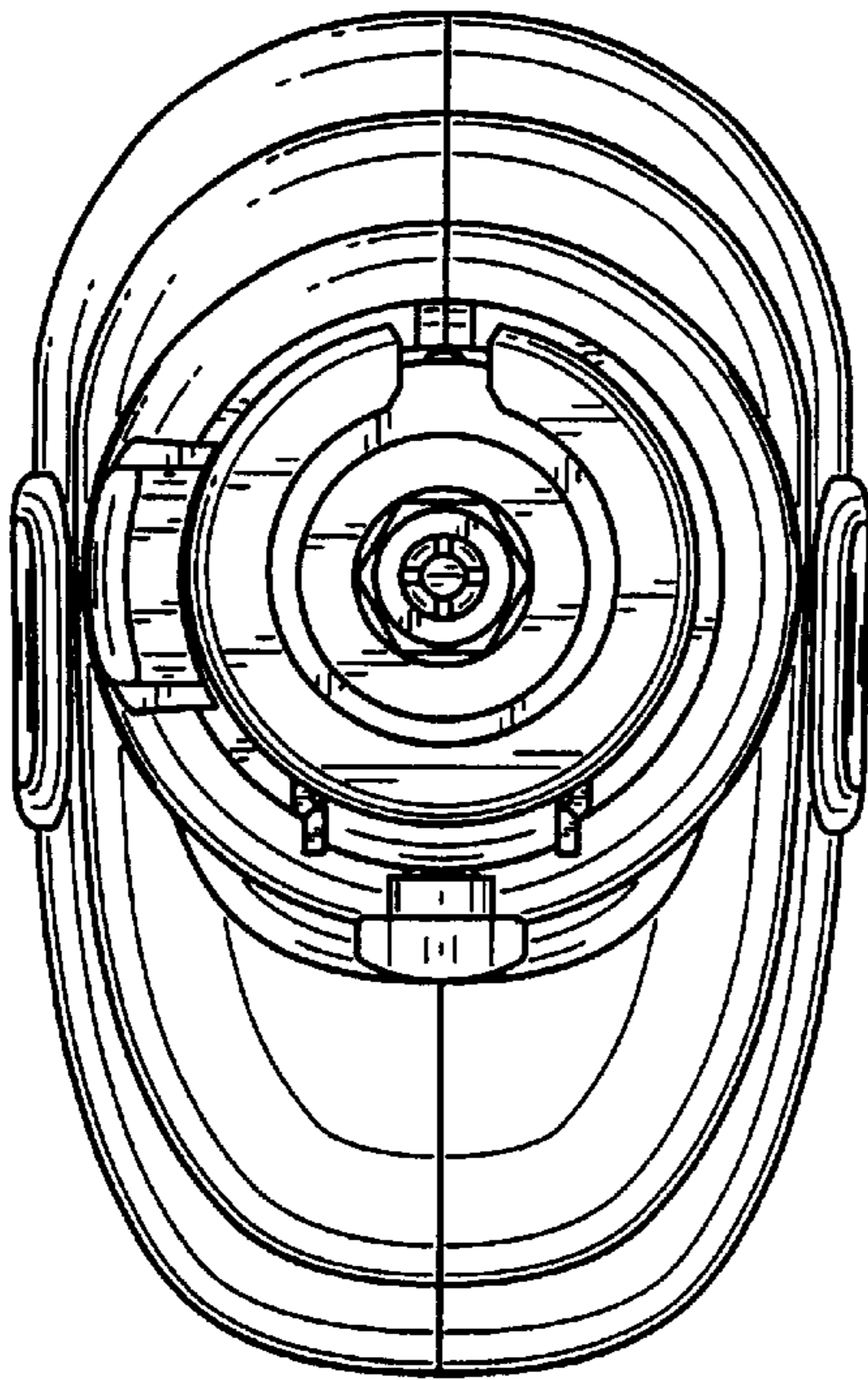


FIG. 2

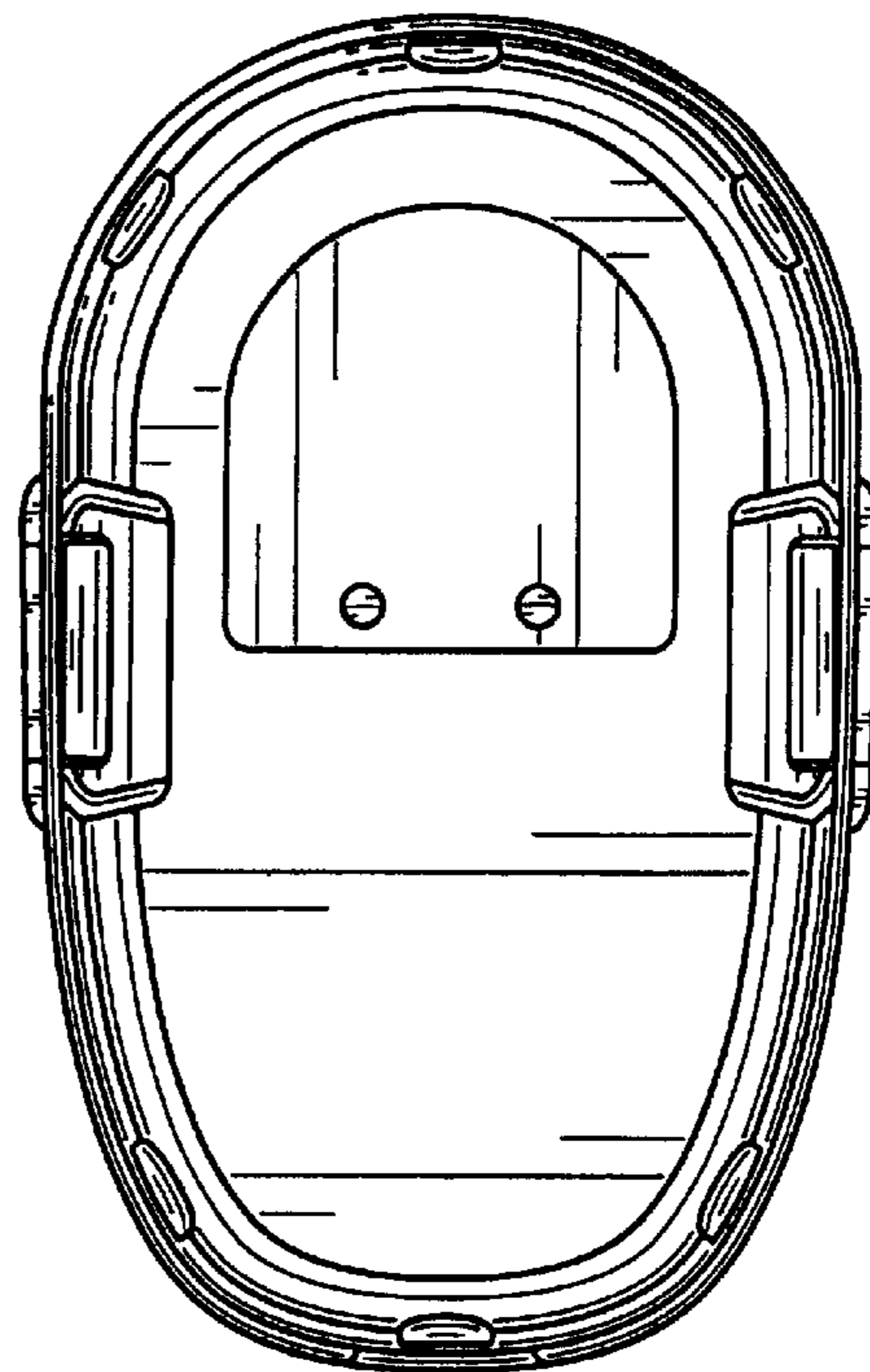


FIG. 3

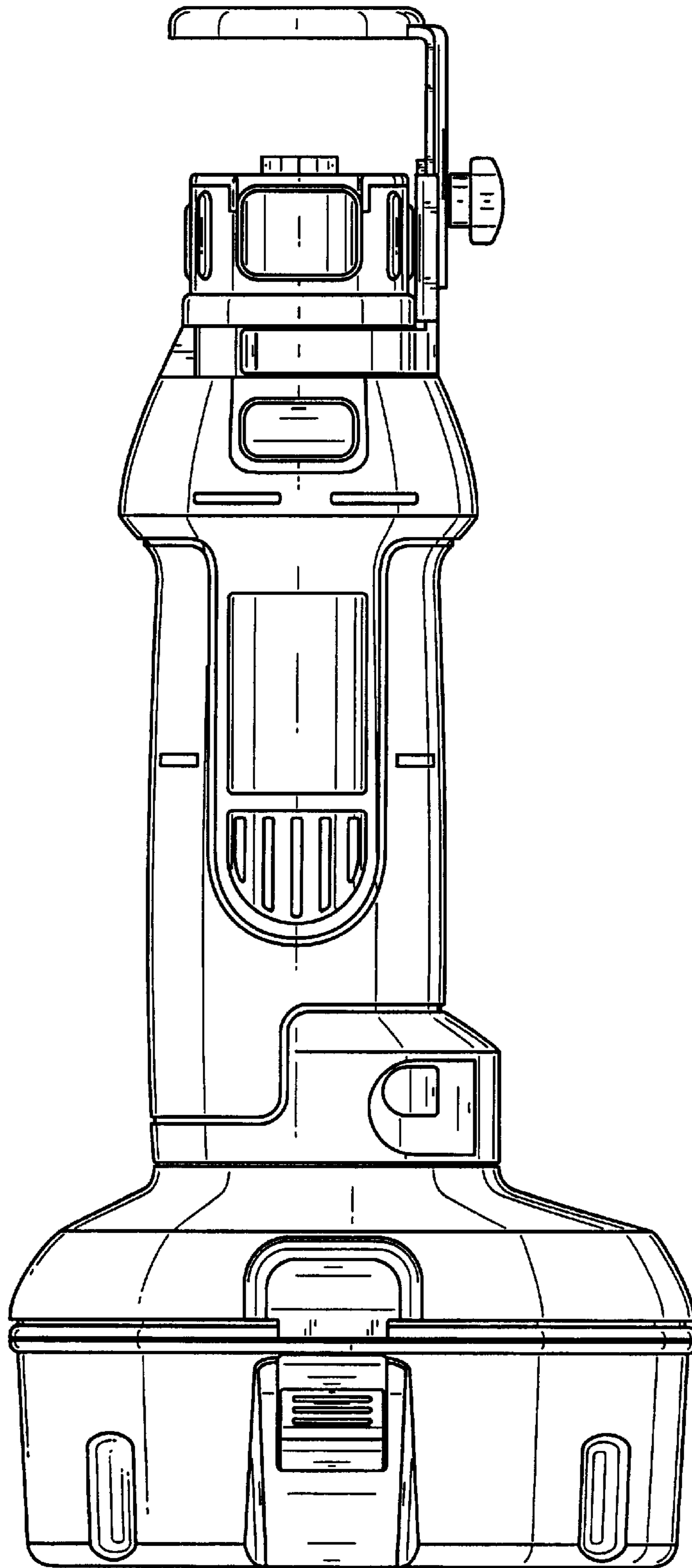


FIG. 4

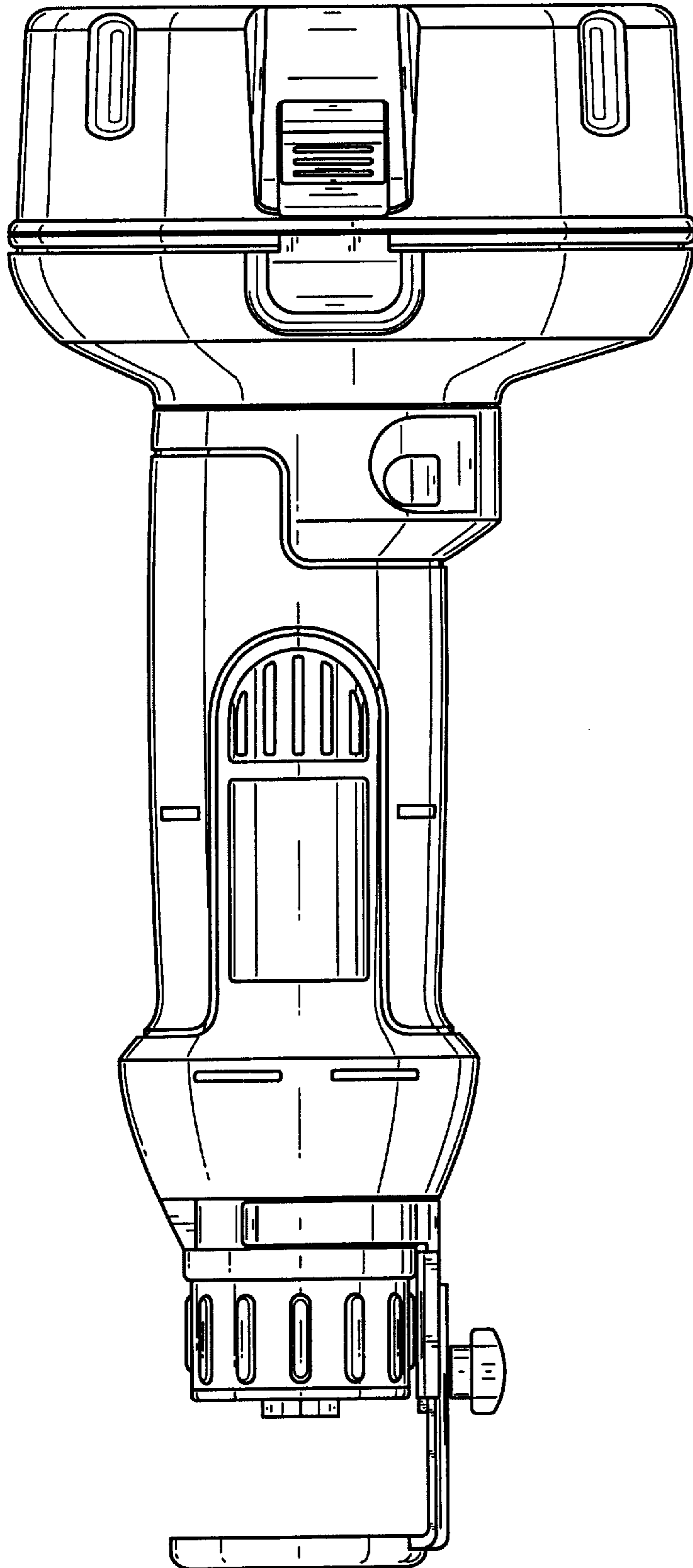


FIG. 5

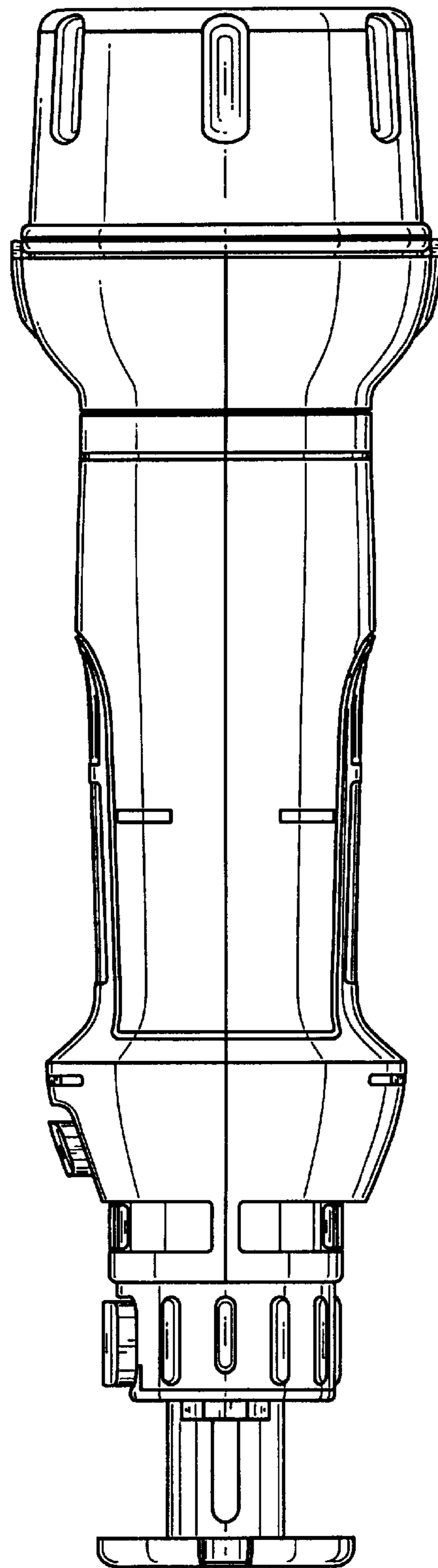


FIG. 6

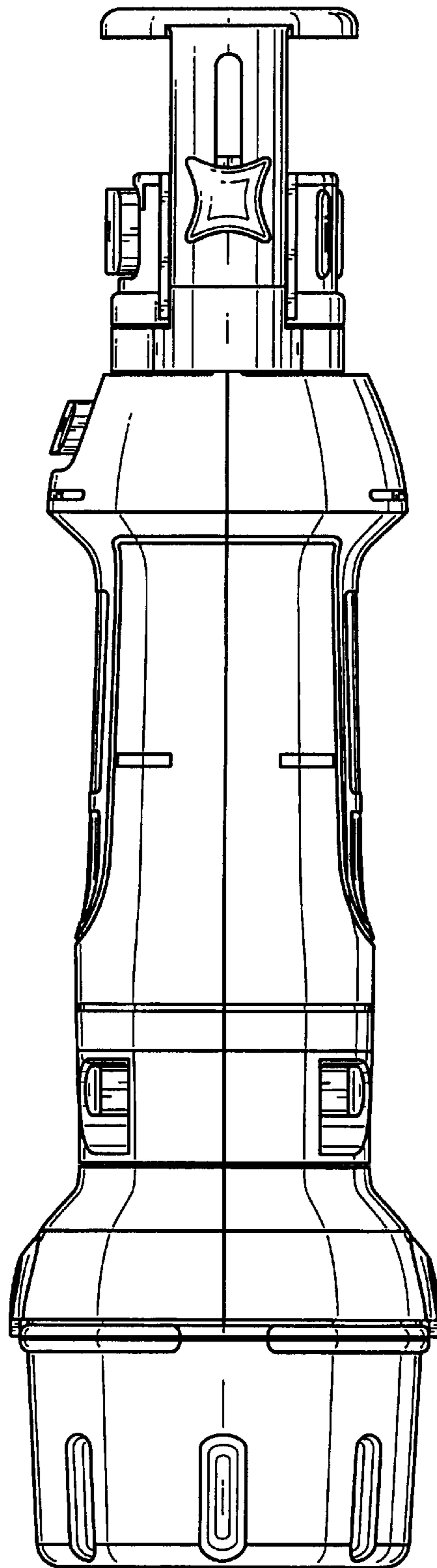


FIG. 7