



US00D526173S

(12) **United States Design Patent**
Hudson

(10) **Patent No.:** **US D526,173 S**

(45) **Date of Patent:** **** Aug. 8, 2006**

(54) **STRAP ROLLING APPARATUS**

(76) Inventor: **Lewis Hudson**, 4225 Patrick Henry Hwy., Roseland, VA (US) 22967

(**) Term: **14 Years**

(21) Appl. No.: **29/229,824**

(22) Filed: **May 13, 2005**

(51) **LOC (8) Cl.** **08-05**

(52) **U.S. Cl.** **D8/44; D8/59**

(58) **Field of Classification Search** D8/44,
D8/14, 59, 88, 89, 107; 242/395, 546.1; 410/100,
410/103, 106

See application file for complete search history.

(56) **References Cited**

U.S. PATENT DOCUMENTS

2,067,370	A	*	1/1937	Woock	81/121.1
4,311,288	A		1/1982	Galland		
4,390,141	A		6/1983	Webster		
D322,552	S	*	12/1991	Lebon	D8/359
D345,288	S	*	3/1994	Hubal et al.	D8/59
5,526,713	A	*	6/1996	Walter	74/545
D389,387	S		1/1998	Barrett		
D396,629	S		8/1998	Huggins		

D400,411	S	*	11/1998	Ambrose	D8/14
5,961,061	A		10/1999	Stanley		
D424,901	S	*	5/2000	Landry	D8/59
6,102,637	A	*	8/2000	Mocci	410/103
6,179,534	B1		1/2001	Weckter		
6,241,175	B1		6/2001	Nichols		
6,398,470	B1	*	6/2002	Mosley	410/100
6,848,872	B1	*	2/2005	Perkins, Jr.	410/103
2002/0074443	A1		6/2002	Murdock		

* cited by examiner

Primary Examiner—Philip S. Hyder

(57) **CLAIM**

The ornamental design for a strap rolling apparatus, as shown and described.

DESCRIPTION

FIG. 1 is a front elevational view of a strap rolling apparatus showing my new design;

FIG. 2 is a right side elevational view thereof;

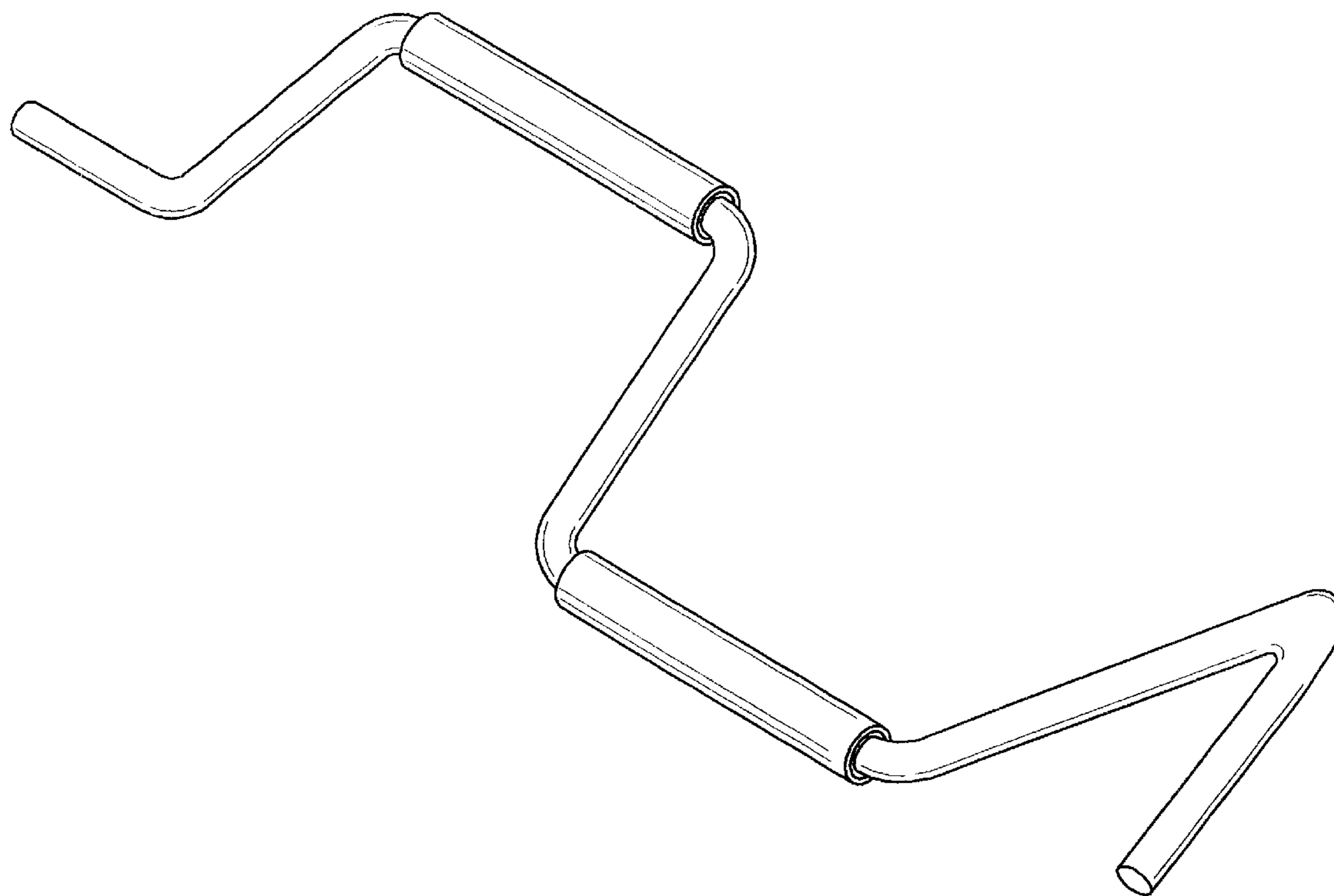
FIG. 3 is a left side elevational view thereof;

FIG. 4 is a top plan view thereof;

FIG. 5 is a bottom plan view thereof; and,

FIG. 6 is a perspective view thereof.

1 Claim, 4 Drawing Sheets



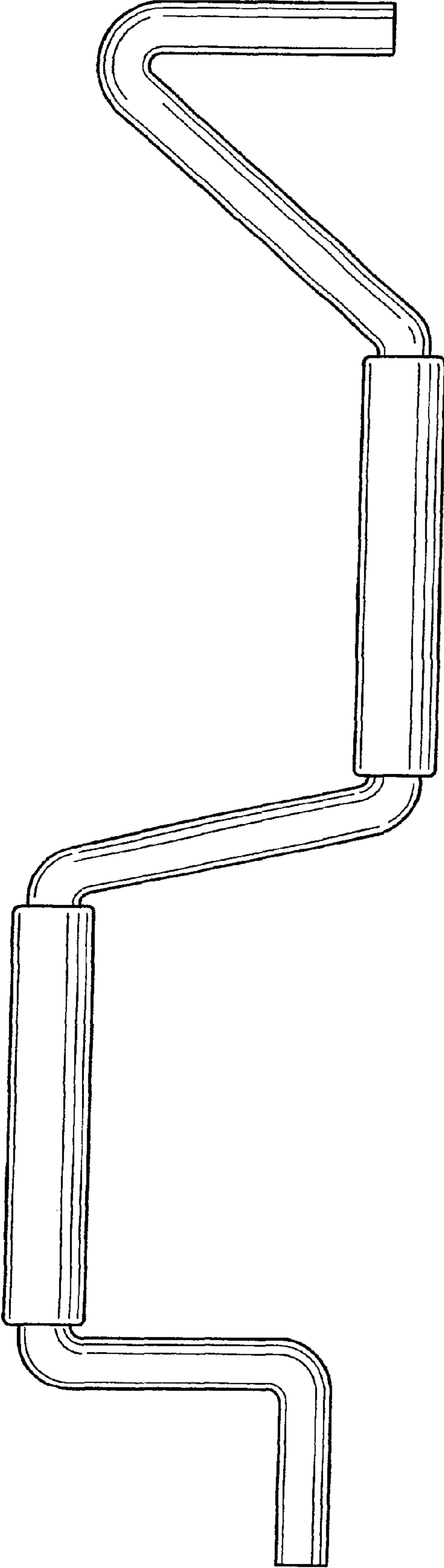


FIG.1

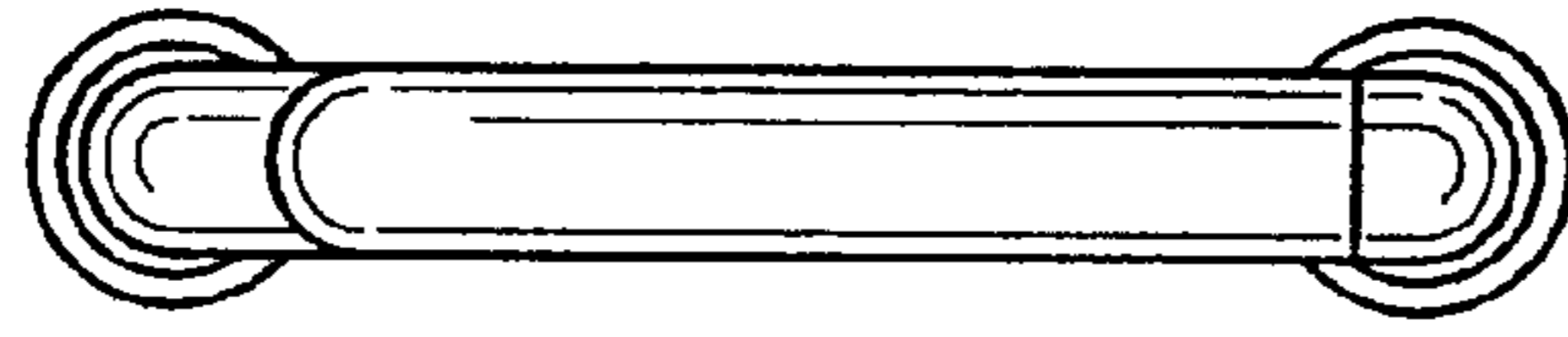


FIG.3

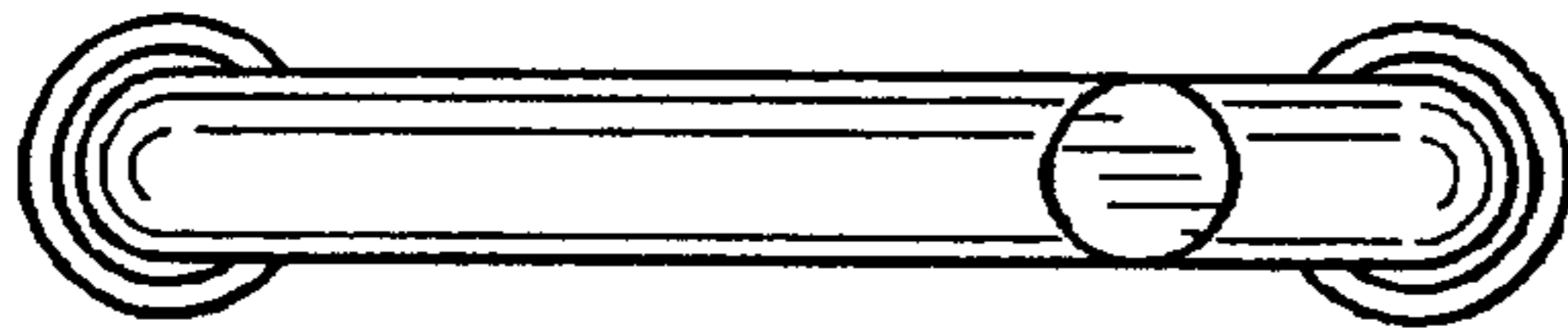


FIG.2

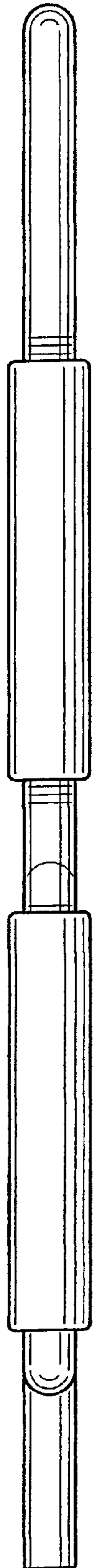


FIG. 4

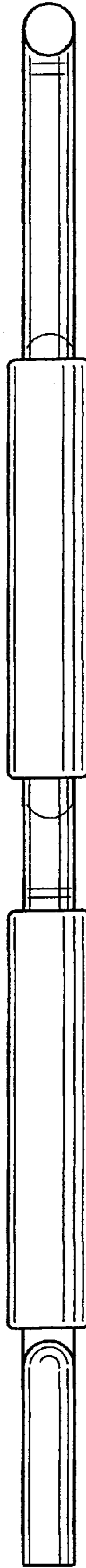


FIG. 5

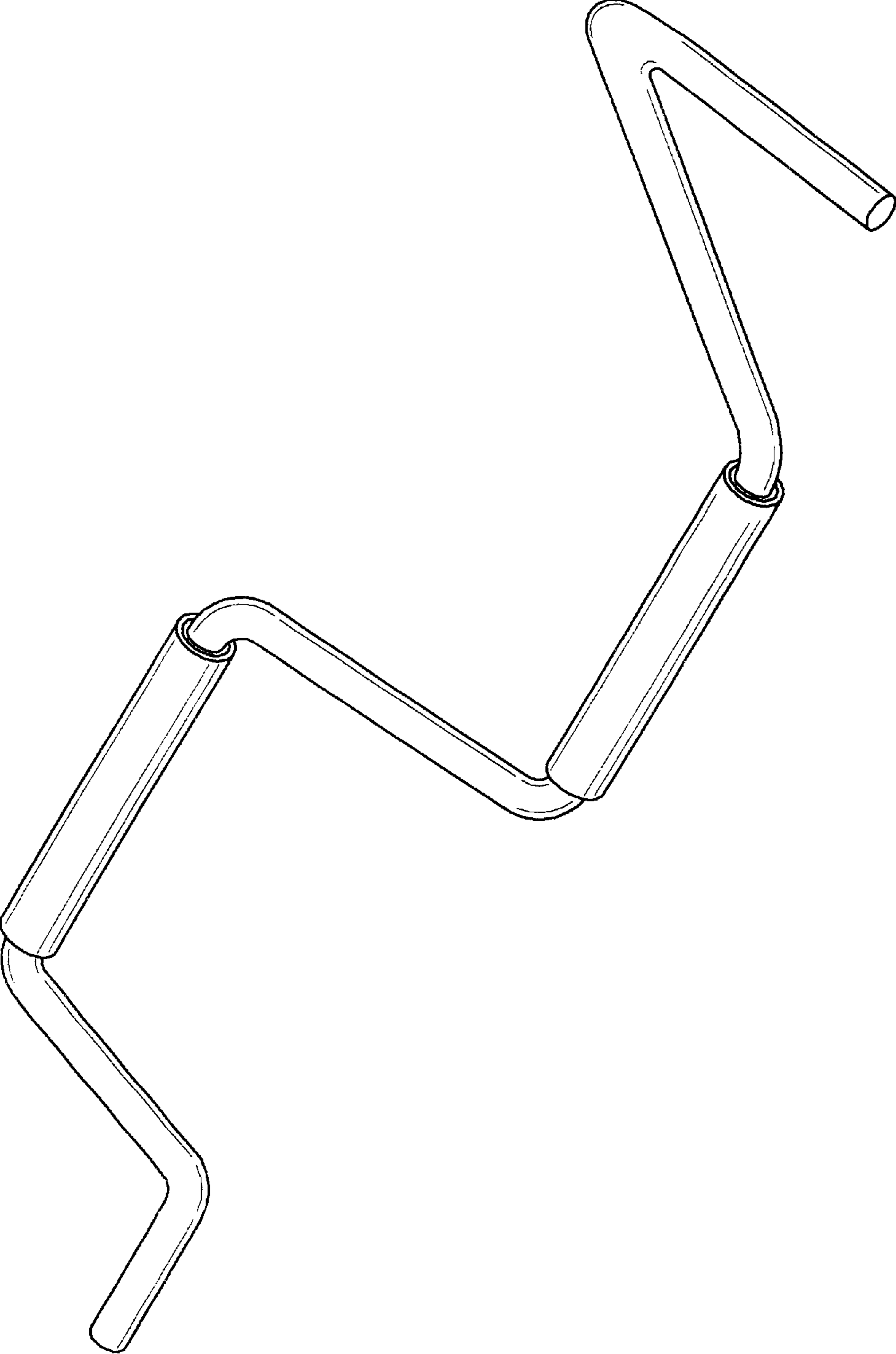


FIG.6