



US00D526172S

(12) **United States Design Patent**
Lin

(10) **Patent No.:** **US D526,172 S**

(45) **Date of Patent:** **** Aug. 8, 2006**

(54) **SOCKET**

(76) **Inventor:** **Yu-Chun Lin**, 235 Chung-Ho Box
8-24, Taipei (TW)

(**) **Term:** **14 Years**

(21) **Appl. No.:** **29/238,601**

(22) **Filed:** **Sep. 19, 2005**

(51) **LOC (8) Cl.** **08-05**

(52) **U.S. Cl.** **D8/29**

(58) **Field of Classification Search** D8/21-29;
81/119, 121.1, 120, 124.3, 124.4, 124.6, 124.7,
81/125, 177.1, 177.2, 177.85, 436, 177.6,
81/186, 58-63.2, 3.09, 486
See application file for complete search history.

(56) **References Cited**

U.S. PATENT DOCUMENTS

3,903,764	A	*	9/1975	Andersen	81/121.1
5,012,706	A	*	5/1991	Wright et al.	81/121.1
5,476,024	A	*	12/1995	Hsieh	81/121.1
5,595,096	A	*	1/1997	Coffman	81/121.1

D398,823	S	*	9/1998	Hsieh	D8/29
5,832,792	A	*	11/1998	Hsieh	81/124.6
5,904,076	A	*	5/1999	Siwy	81/121.1
6,626,067	B1	*	9/2003	Iwinski et al.	81/121.1
6,761,093	B1	*	7/2004	Chang	81/121.1
D506,908	S	*	7/2005	Hsien	D8/29

* cited by examiner

Primary Examiner—Raphael Barkai
Assistant Examiner—Randall H. Gholson

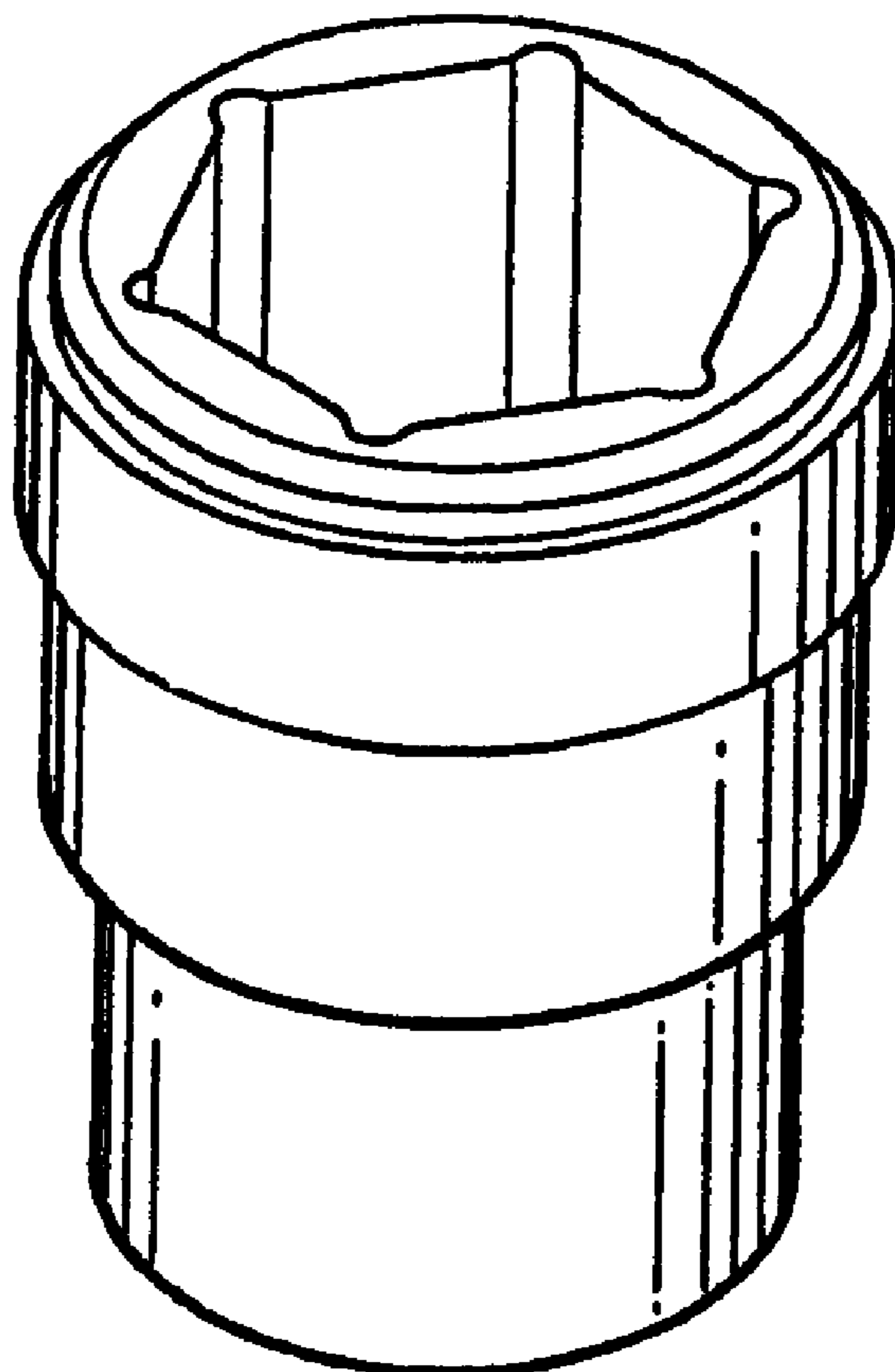
(57) **CLAIM**

The ornamental design for a socket, as shown and described.

DESCRIPTION

FIG. 1 is a perspective view of a socket showing my new design;
FIG. 2 is a front elevational view thereof;
FIG. 3 is a rear elevational view thereof;
FIG. 4 is a left side view thereof;
FIG. 5 is a right side view thereof;
FIG. 6 is a top plan view thereof; and,
FIG. 7 is a bottom plan view thereof.

1 Claim, 4 Drawing Sheets



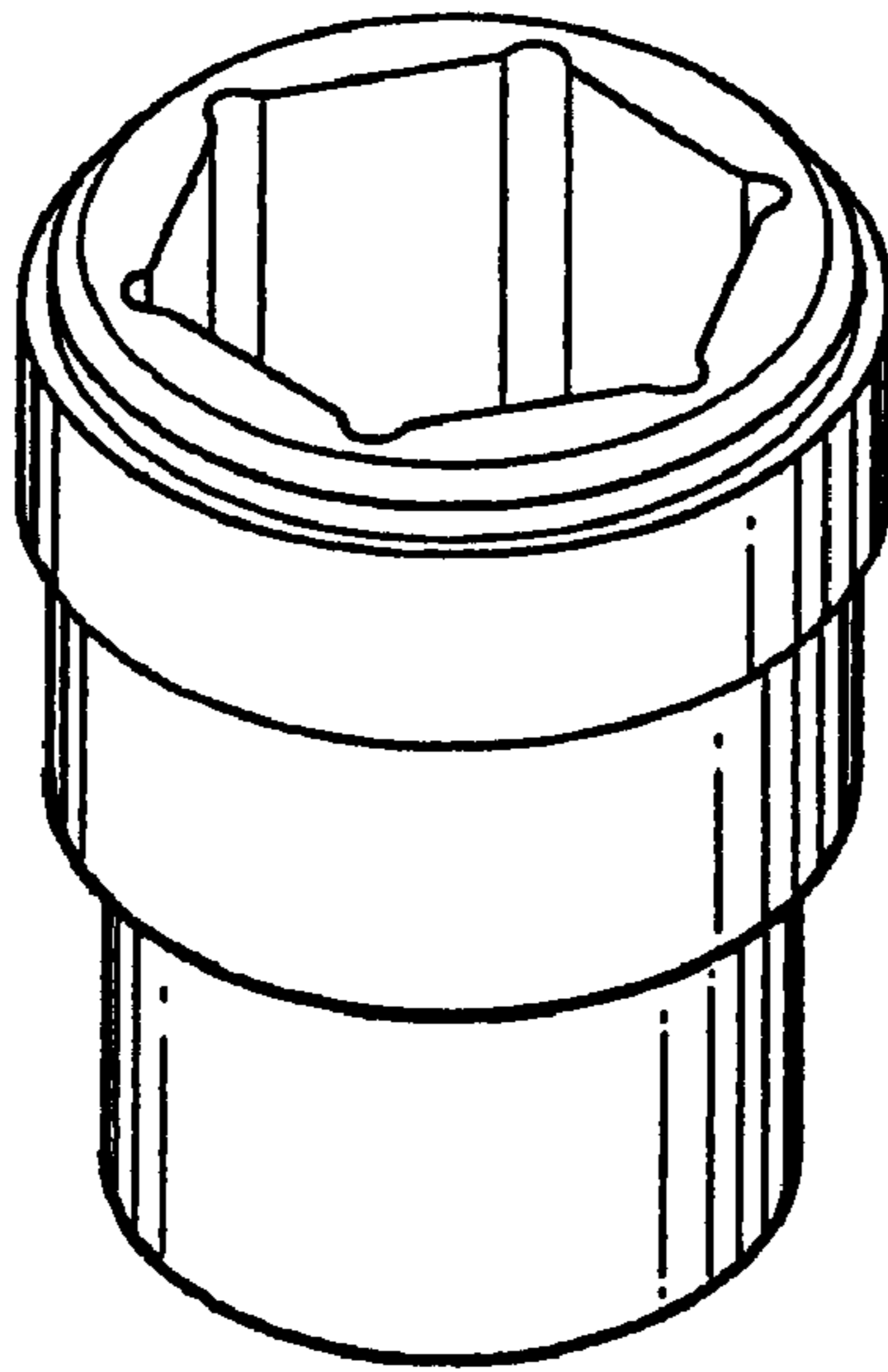


FIG. 1

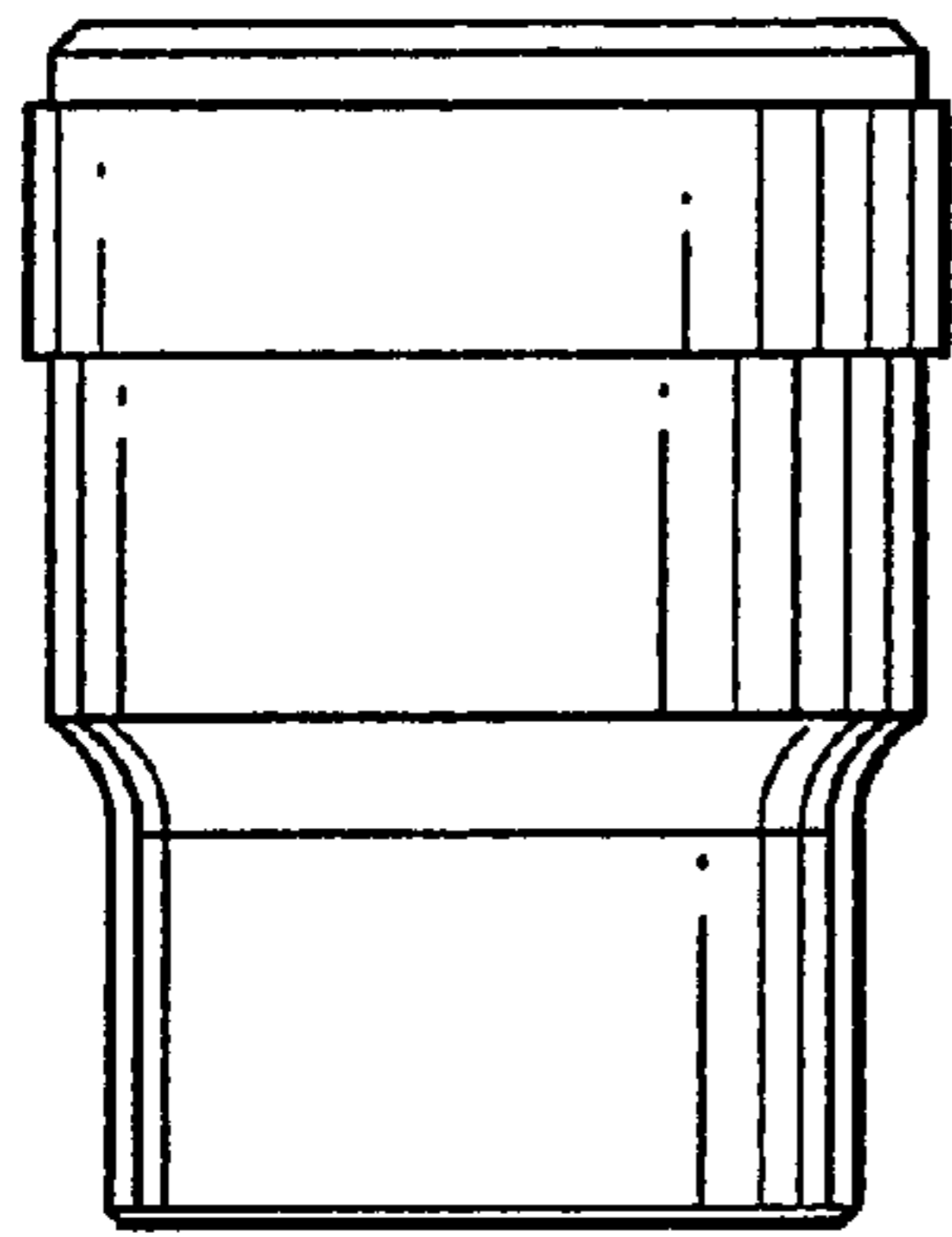


FIG. 2

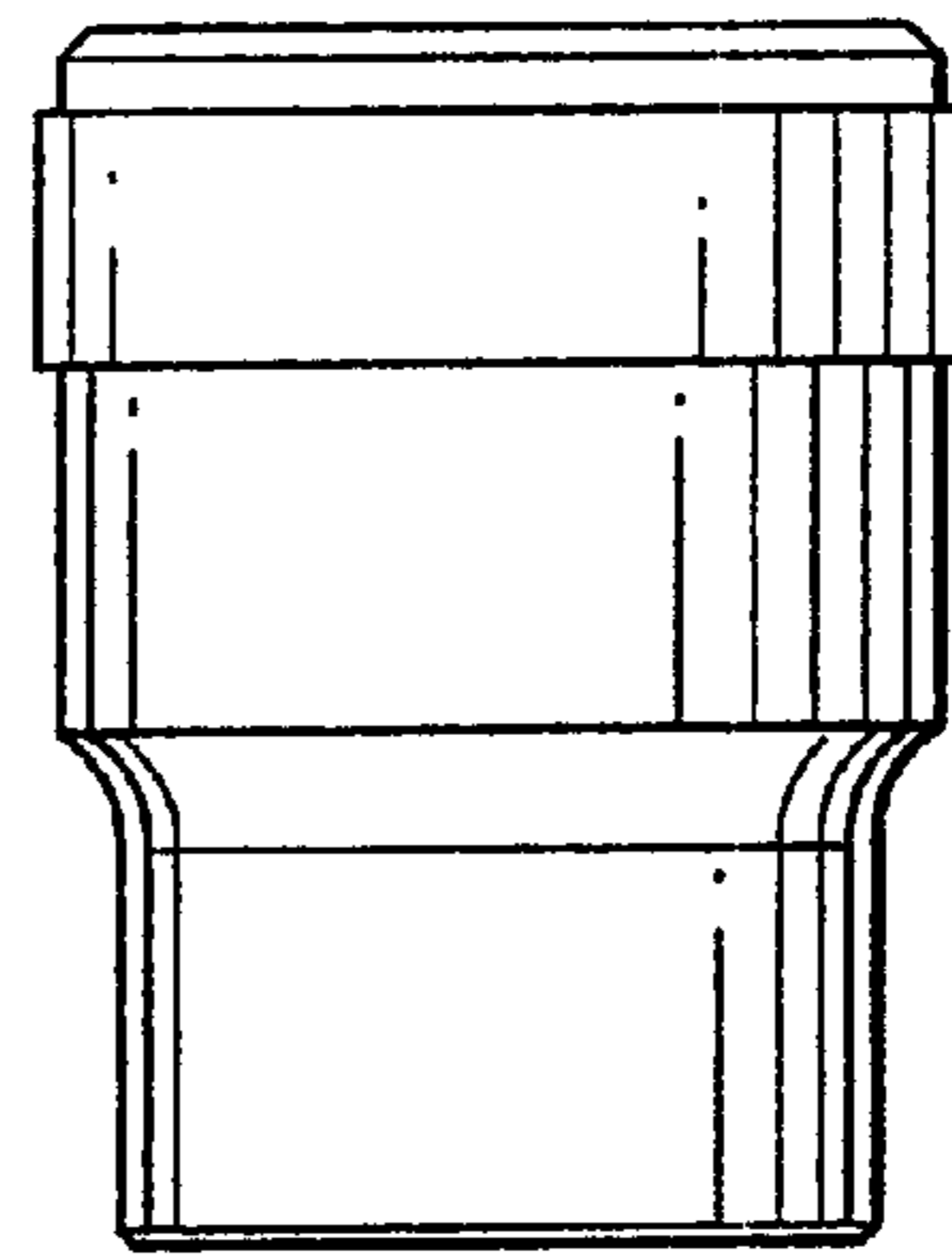


FIG. 3

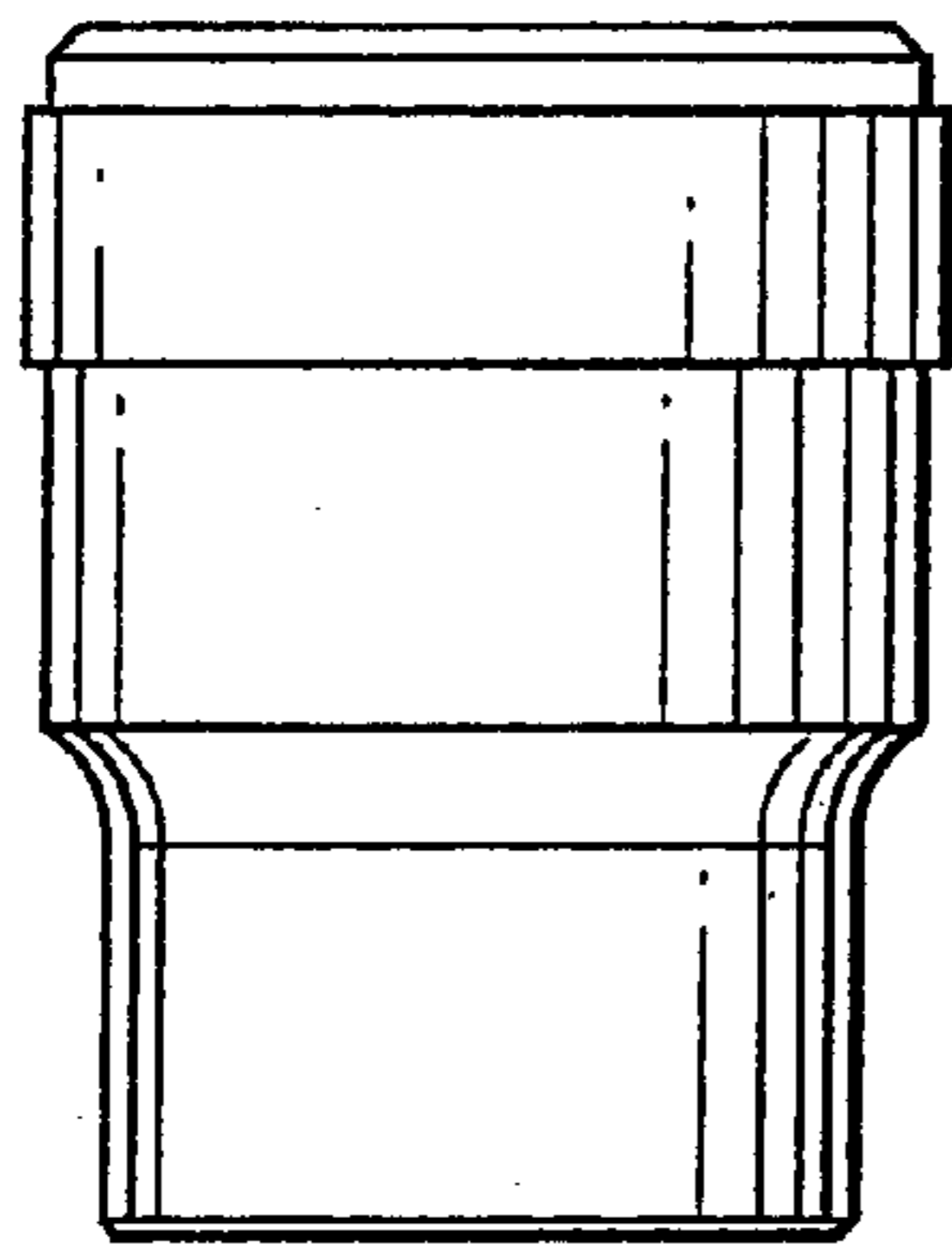


FIG. 4

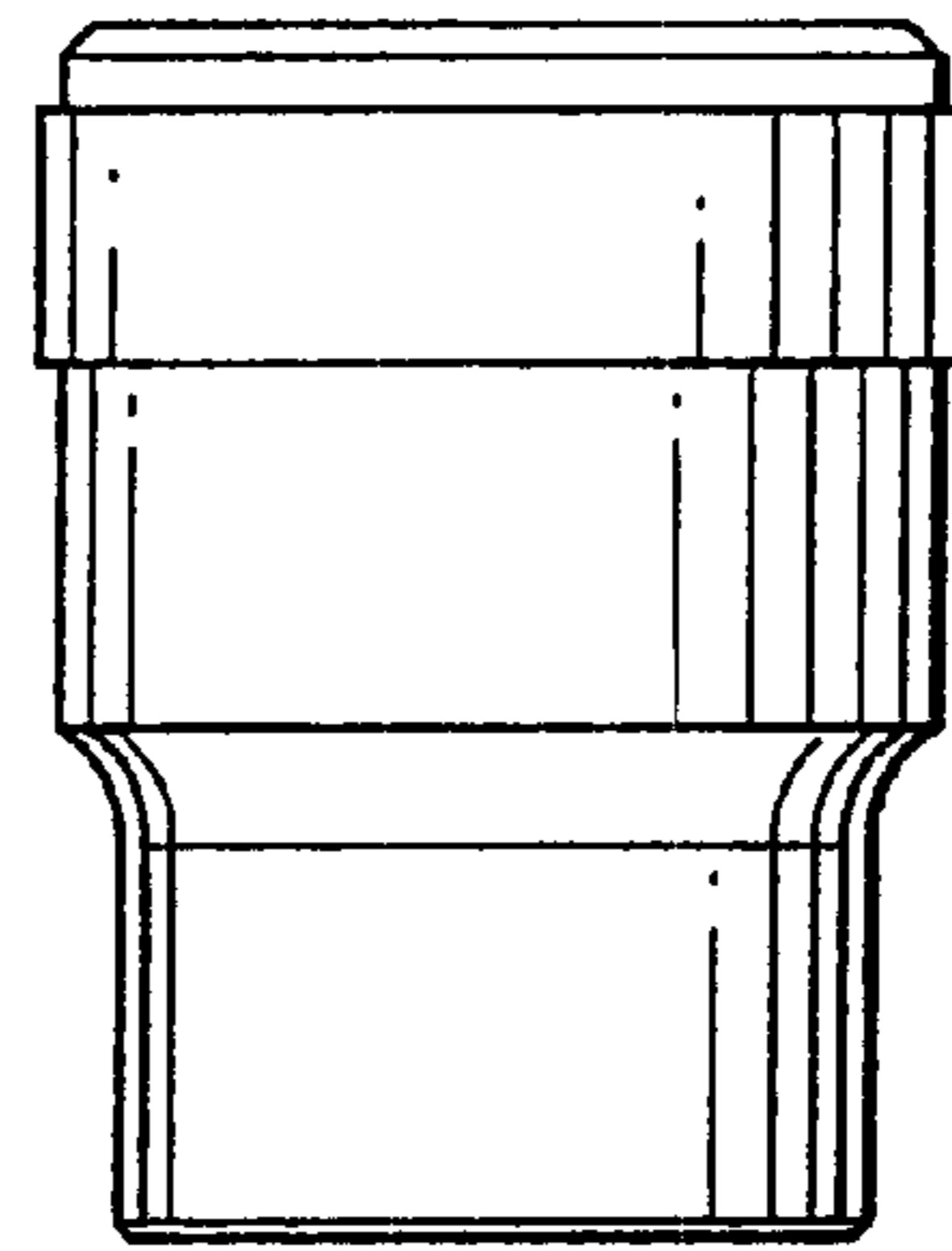


FIG. 5

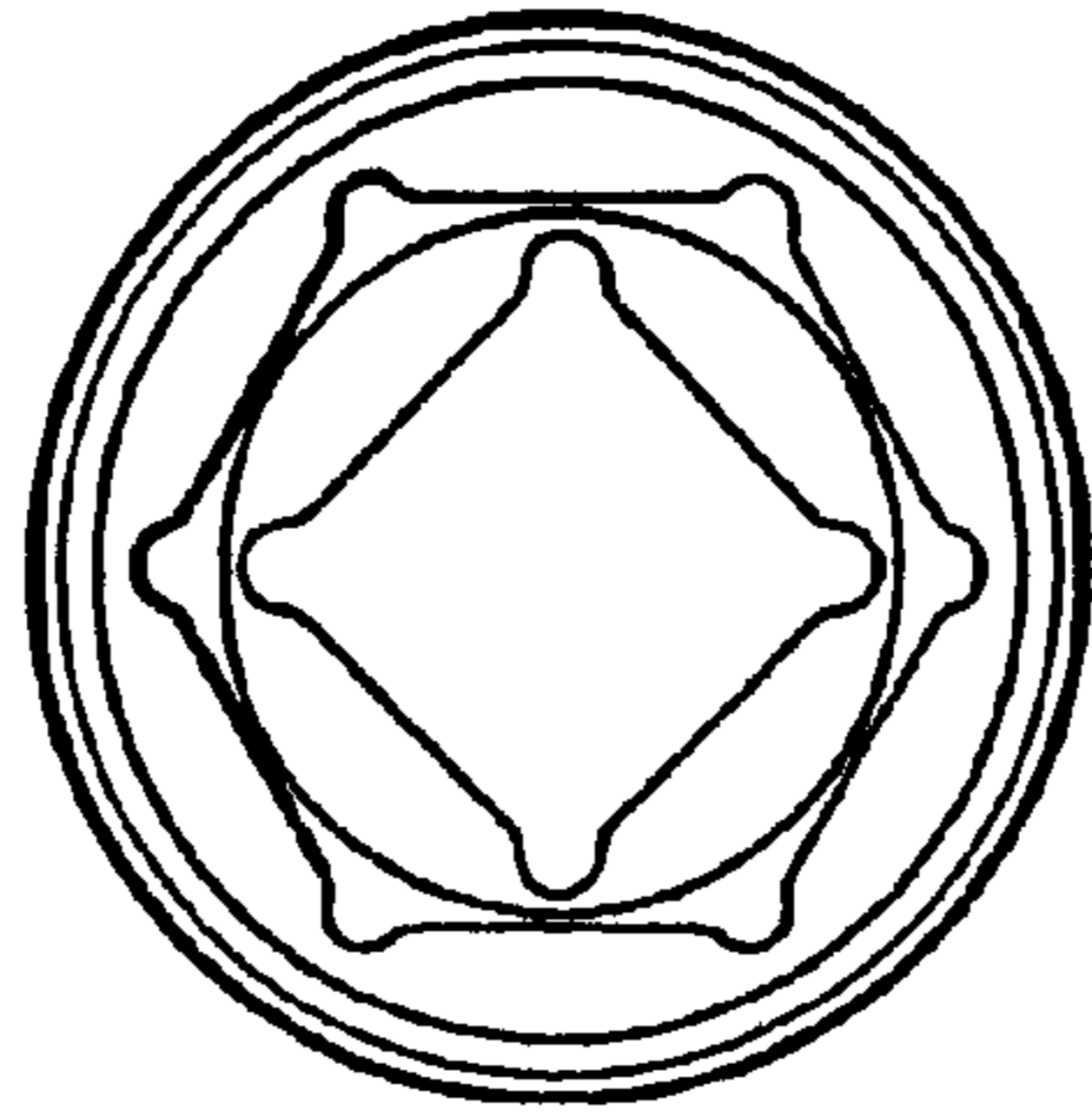


FIG. 6

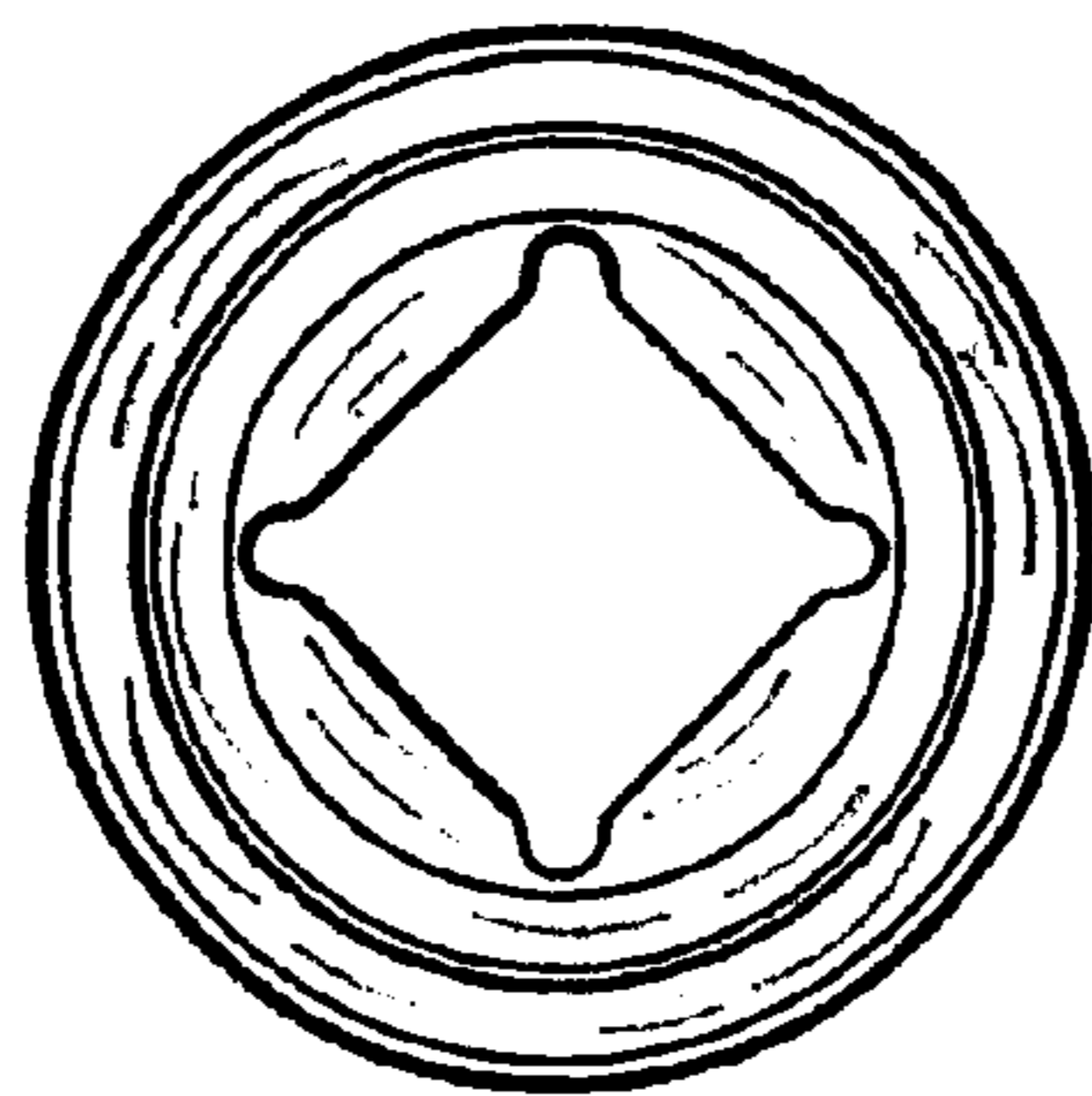


FIG. 7