



US00D526169S

(12) **United States Design Patent**  
**Zafiropoulos**

(10) **Patent No.:** **US D526,169 S**

(45) **Date of Patent:** **\*\* Aug. 8, 2006**

(54) **GIMBALED CUP HOLDER**

D383,950 S \* 9/1997 Muschett ..... D7/708  
D464,850 S \* 10/2002 Nelson ..... D7/621

(76) Inventor: **Michelle Zafiropoulos**, 13771  
Danielson St., Poway, CA (US) 92064

\* cited by examiner

(\*\*) Term: **14 Years**

*Primary Examiner*—Terry A. Wallace  
(74) *Attorney, Agent, or Firm*—Gordon & Rees LLP

(21) Appl. No.: **29/228,129**

(57) **CLAIM**

(22) Filed: **Apr. 20, 2005**

The ornamental design for a gimbaled cup holder, as shown and described.

(51) **LOC (8) Cl.** ..... **07-06**

(52) **U.S. Cl.** ..... **D7/705**

(58) **Field of Classification Search** ..... D7/701,  
D7/705, 707, 708, 621; 211/74, 75; 248/311.2,  
248/106, 309.1, 141, 142, 174; 294/143,  
294/144, 159, 167; D6/512-514, 569, 457,  
D6/467

See application file for complete search history.

**DESCRIPTION**

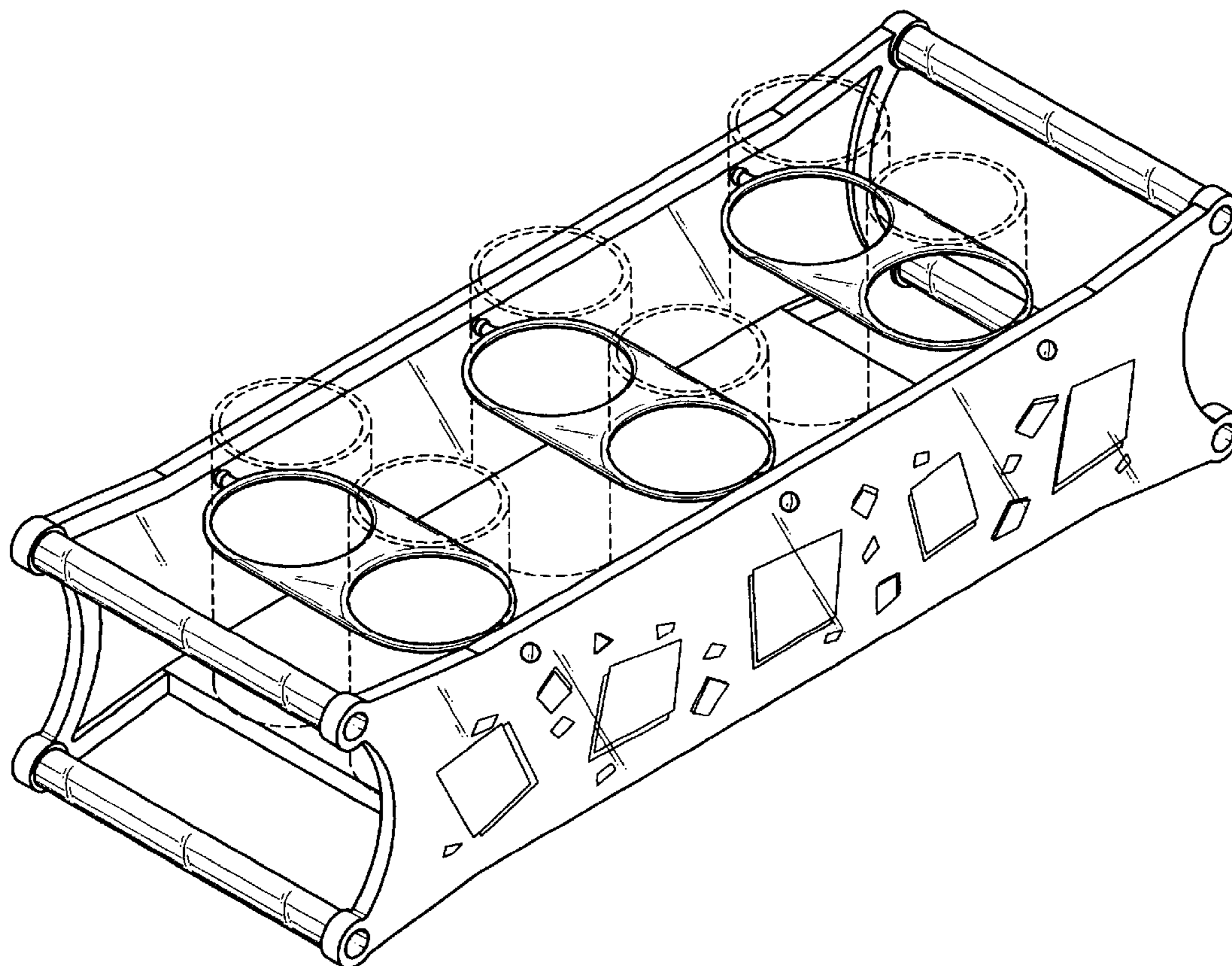
FIG. 1 is a perspective view of a gimbaled cup holder showing my new design;  
FIG. 2 is a right side elevational view of the gimbaled cup holder, the left side elevational view being the same;  
FIG. 3 is a bottom plan view of the gimbaled cup holder;  
FIG. 4 is a front elevational view of the gimbaled cup holder, the rear elevational view being the same;  
FIG. 5 is a top plan view of the gimbaled cup holder; and,  
FIG. 6 is a perspective view of the gimbaled cup holder showing standing on end.  
The broken lines are for illustrative purposes only and form no part of the claimed design.

(56) **References Cited**

**U.S. PATENT DOCUMENTS**

2,776,756 A \* 1/1957 Allan ..... 294/143  
D255,752 S \* 7/1980 Kallstrom ..... D7/708  
D256,649 S \* 9/1980 Zerowin ..... D7/621  
4,793,097 A \* 12/1988 Whitcomb ..... 211/74  
D353,977 S \* 1/1995 Muschett ..... D7/708

**1 Claim, 4 Drawing Sheets**



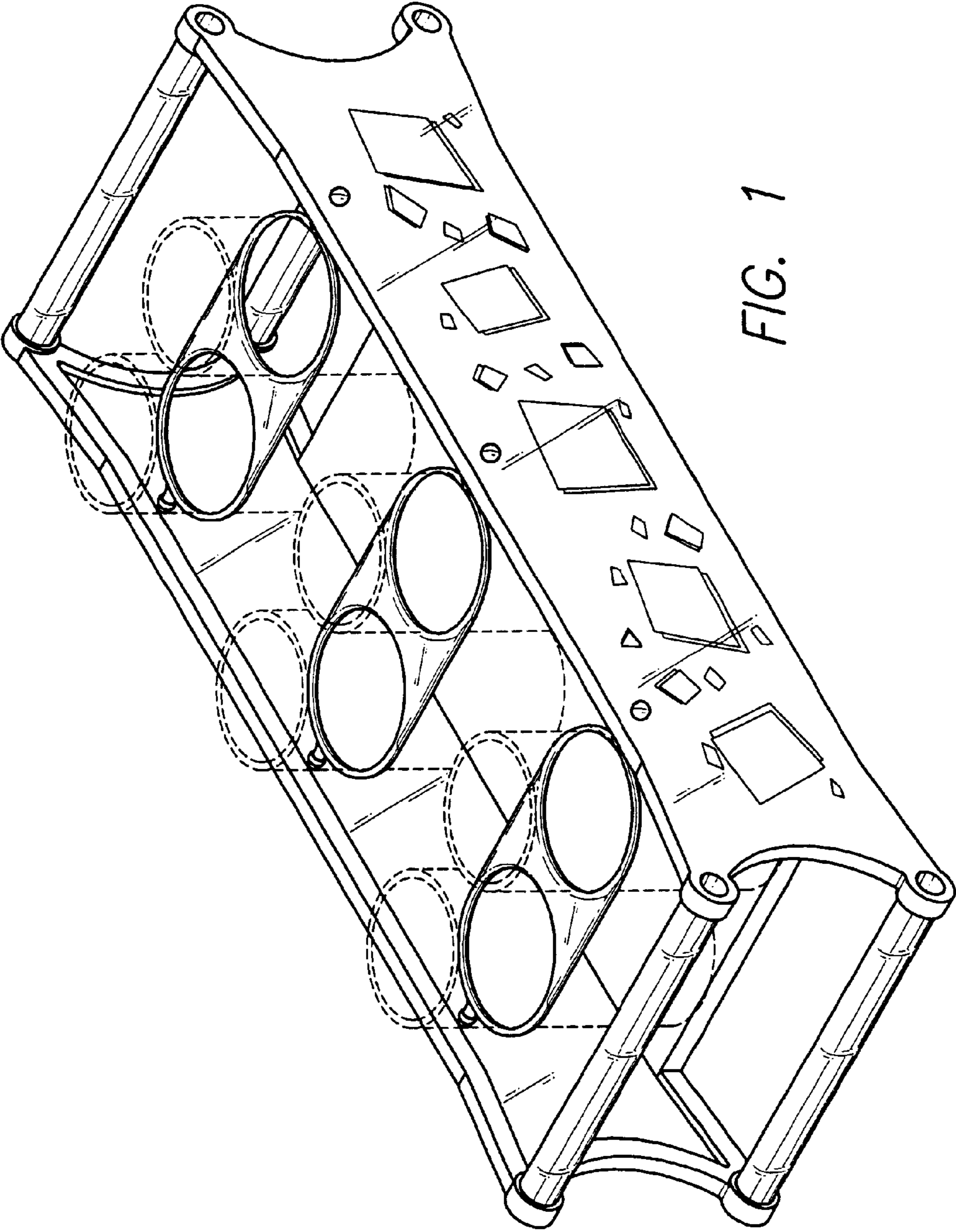
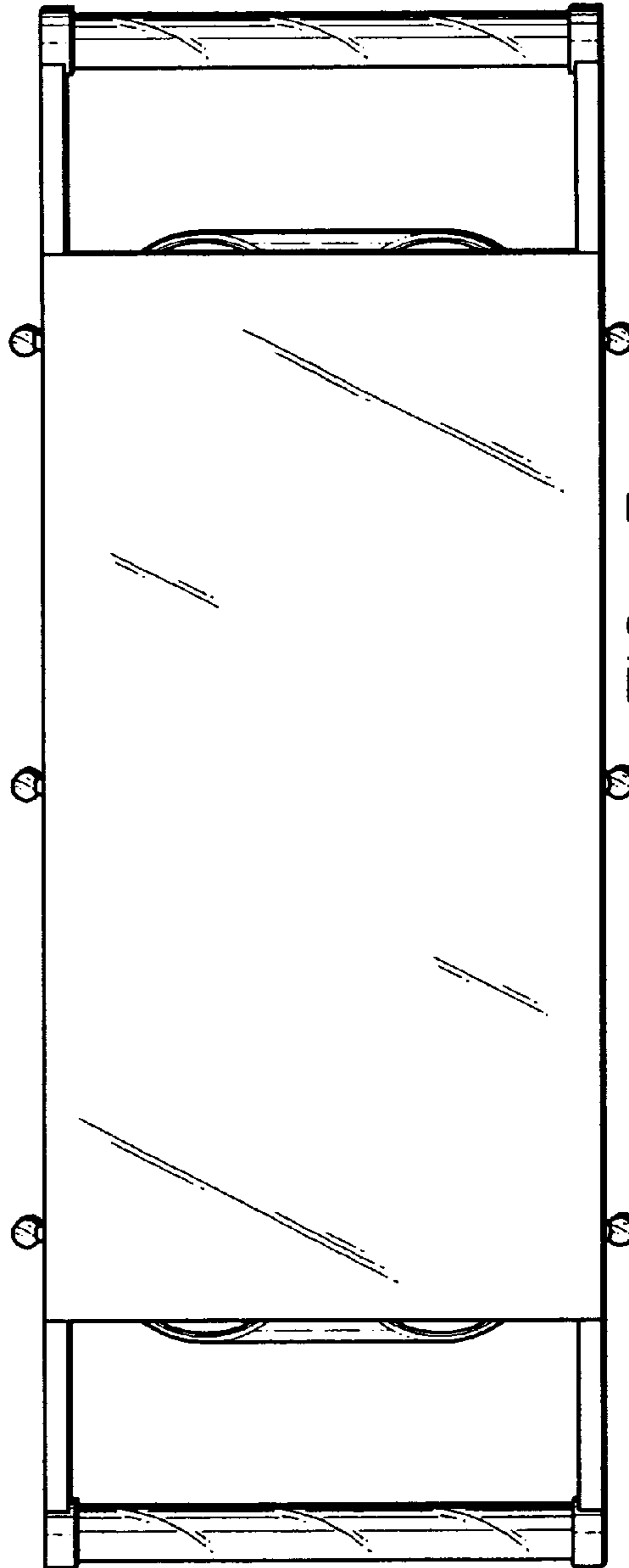
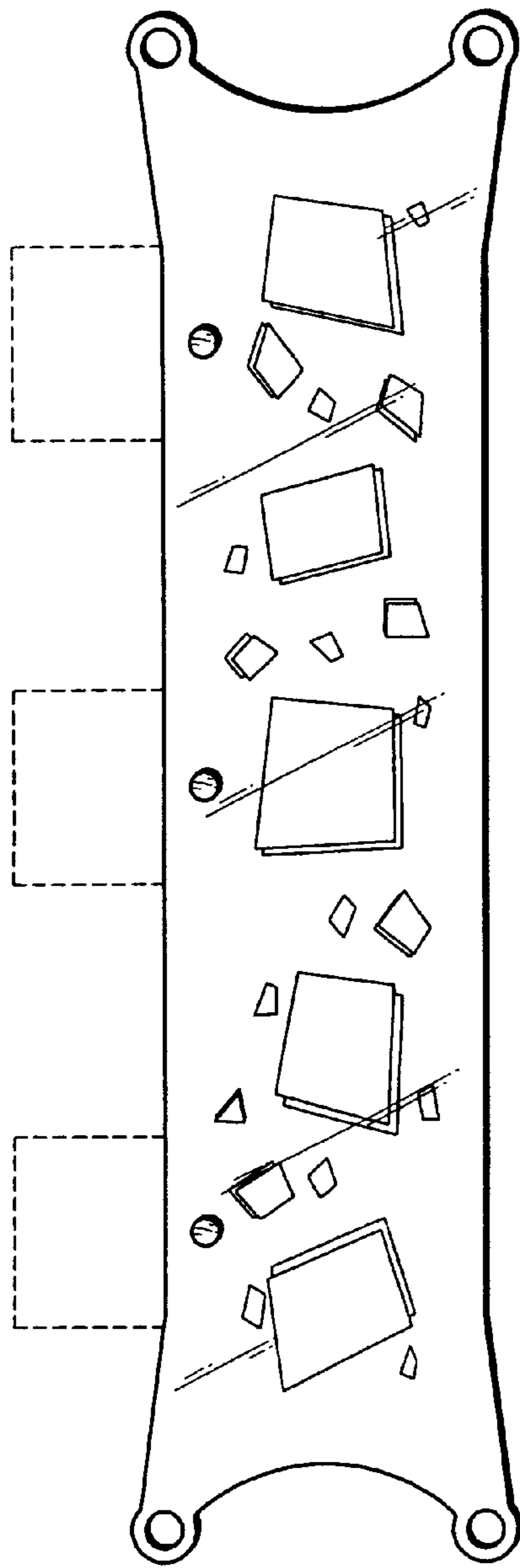


FIG. 1



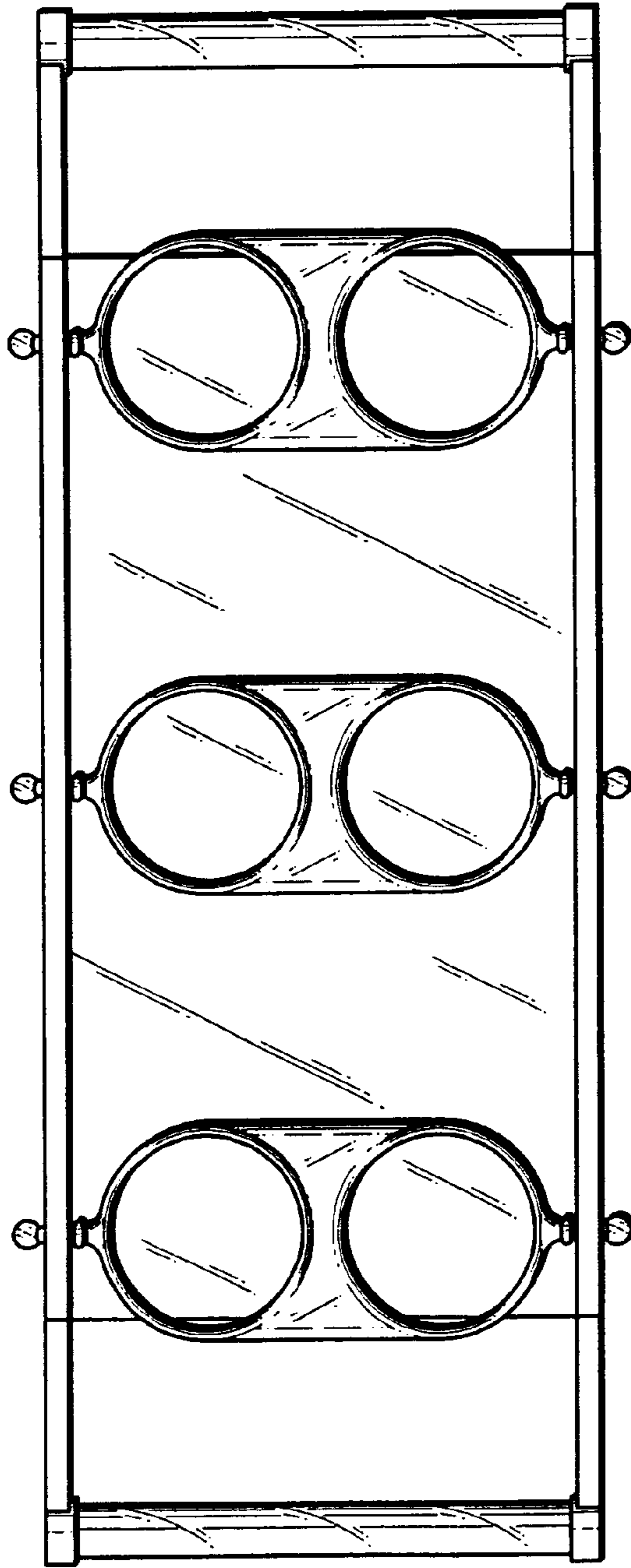


FIG. 4

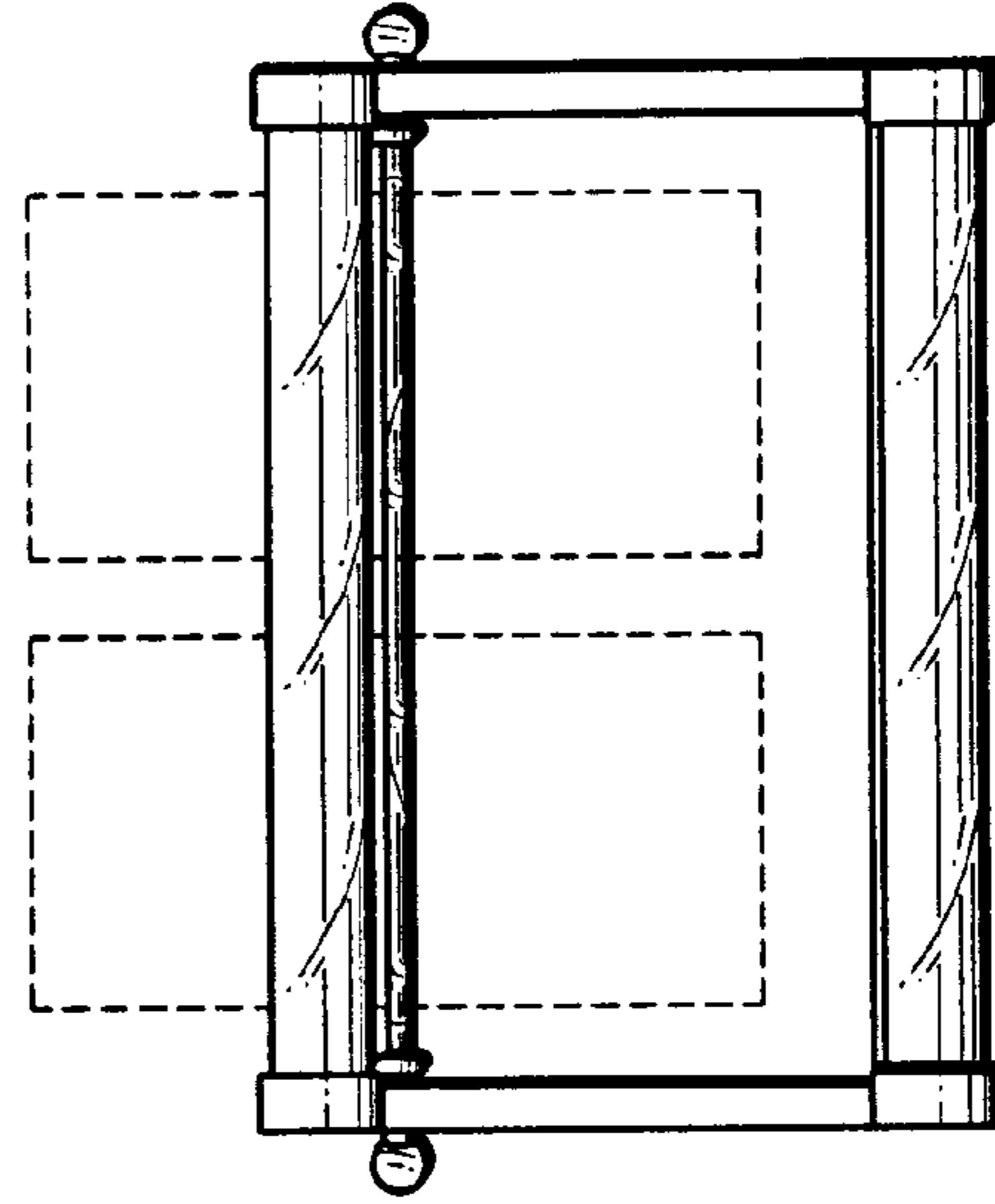


FIG. 5

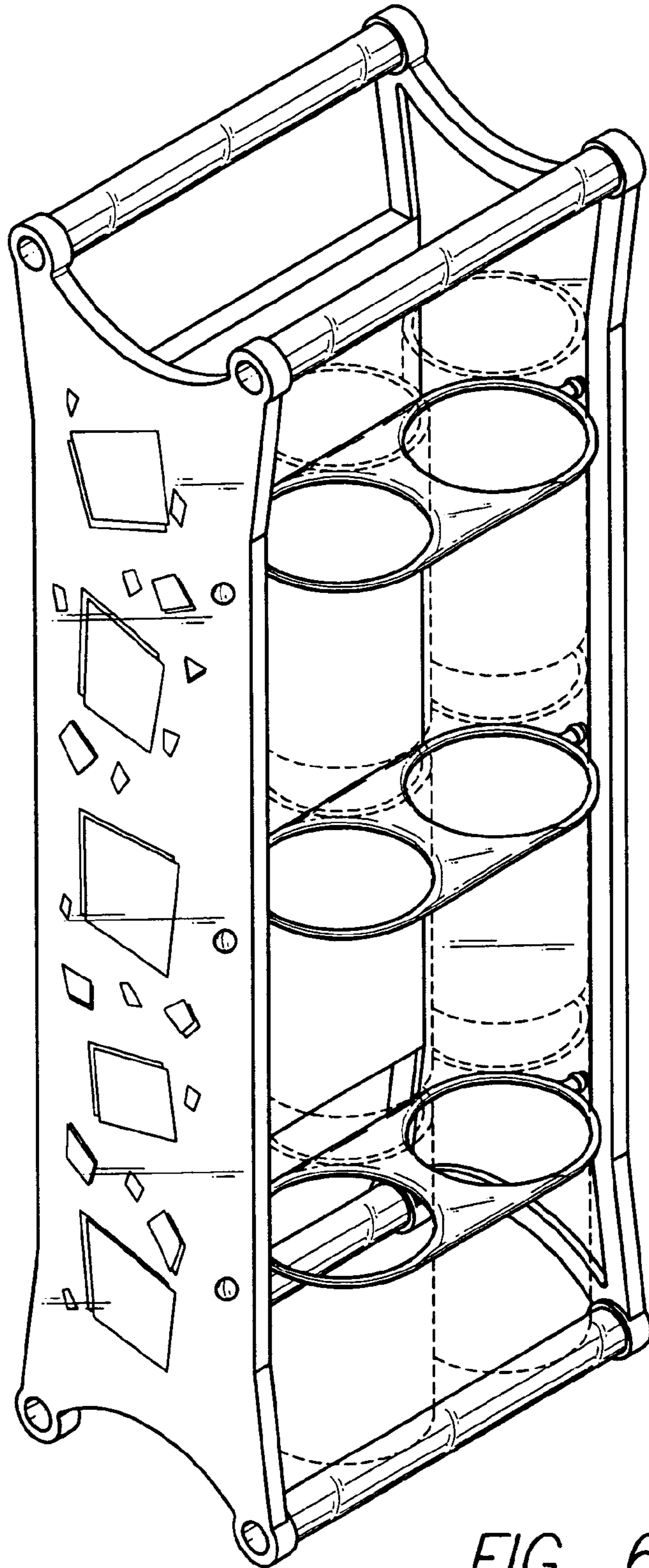


FIG. 6