

US00D526167S

(12) **United States Design Patent**  
**Chen**

(10) **Patent No.:** **US D526,167 S**

(45) **Date of Patent:** **\*\* Aug. 8, 2006**

(54) **WINE RACK**

(75) Inventor: **Kaisern Chen**, Bangkok (TH)

(73) Assignee: **Sota Biti Corp.**, Bangkok (TH)

(\*\*) Term: **14 Years**

(21) Appl. No.: **29/230,415**

(22) Filed: **May 20, 2005**

(51) **LOC (8) Cl.** ..... **06-04**

(52) **U.S. Cl.** ..... **D7/701; D6/570; D6/553**

(58) **Field of Classification Search** ..... D7/701,  
D7/707, 708, 600.1-600.4; D6/466, 467,  
D6/468, 553, 570; 211/74, 75, 87.01, 162  
See application file for complete search history.

(56) **References Cited**

**U.S. PATENT DOCUMENTS**

- 2,954,876 A \* 10/1960 Mathews ..... 211/74
- 3,130,836 A \* 4/1964 Conrad ..... 211/74
- D241,107 S \* 8/1976 Ferrara, Jr. et al. .... D7/590

- D273,647 S \* 5/1984 Kandarian ..... D6/570
- 4,577,765 A \* 3/1986 Crosby ..... 211/75
- D377,123 S \* 1/1997 Hutchens ..... D6/570
- D460,902 S \* 7/2002 Battle ..... D7/708

\* cited by examiner

*Primary Examiner*—Terry A. Wallace

(74) *Attorney, Agent, or Firm*—Barnes & Thornberg LLP;  
Timothy J. Engling

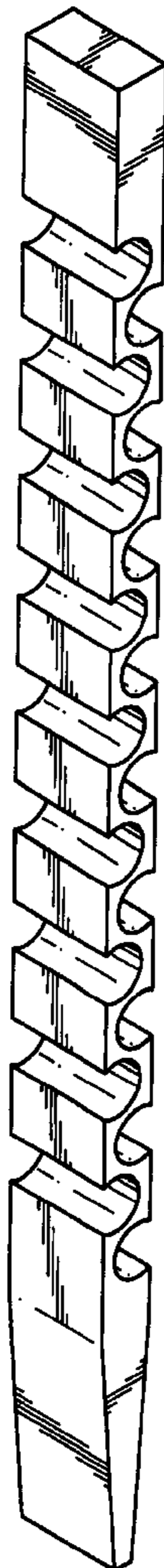
(57) **CLAIM**

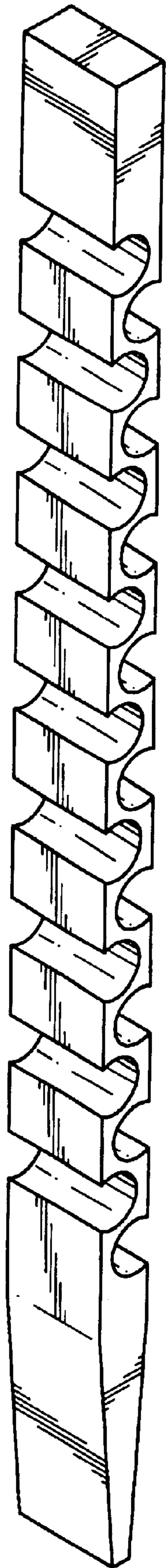
The ornamental design for a wine rack, as shown and described.

**DESCRIPTION**

FIG. 1 is a upper perspective view of the wine rack;  
FIG. 2 is a front view of the wine rack;  
FIG. 3 is a side view of the wine rack;  
FIG. 4 is a side view of the wine rack;  
FIG. 5 is a top view of the wine rack; and,  
FIG. 6 is a bottom view of the wine rack.

**1 Claim, 2 Drawing Sheets**





*FIG. 1*

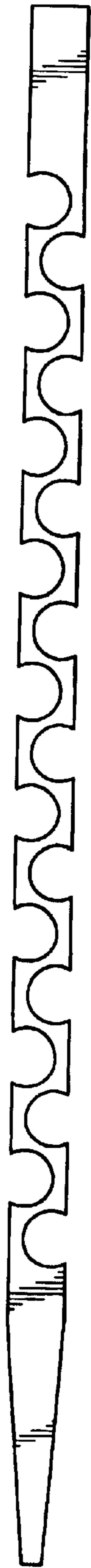


FIG. 2

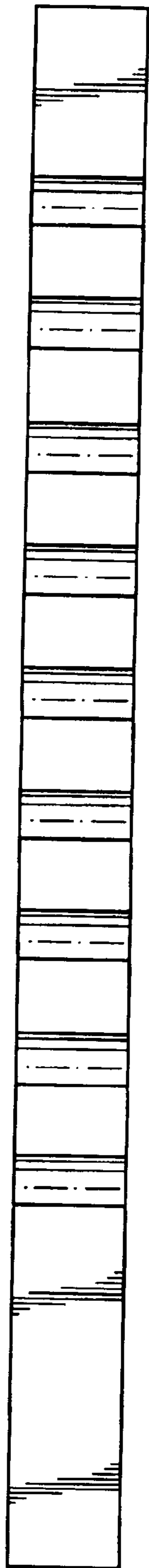


FIG. 3

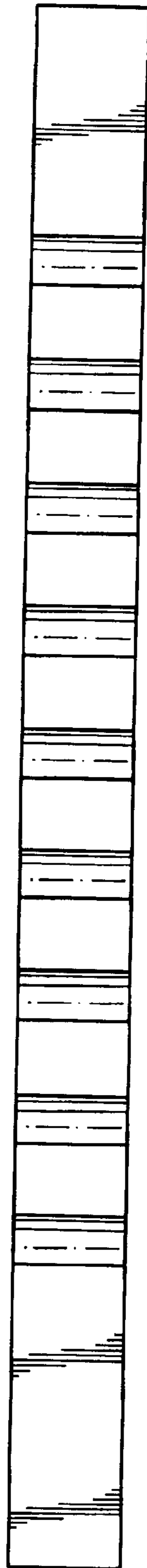


FIG. 4



FIG. 5



FIG. 6