



US00D526161S

(12) **United States Design Patent**
Roth et al.

(10) **Patent No.:** **US D526,161 S**
(45) **Date of Patent:** **** Aug. 8, 2006**

(54) **BOWL**

(76) Inventors: **Donna Roth**, 10 Cordage Park Cir.,
Suite 212, Plymouth, MA (US) 02360;
Henry Roth, 10 Cordage Park Cir.,
Suite 212, Plymouth, MA (US) 02360

(**) **Term:** **14 Years**

(21) **Appl. No.:** **29/215,246**

(22) **Filed:** **Oct. 15, 2004**

Related U.S. Application Data

(63) Continuation-in-part of application No. 29/209,746, filed on Jul. 21, 2004, now Pat. No. Des. 511,435, and a continuation-in-part of application No. 29/210,422, filed on Jul. 30, 2004, and a continuation-in-part of application No. 29/210,681, filed on Aug. 4, 2004, and a continuation-in-part of application No. 29/210,423, filed on Jul. 30, 2004, and a continuation-in-part of application No. 29/210,287, filed on Jul. 29, 2004, and a continuation-in-part of application No. 29/211,946, filed on Aug. 24, 2004.

(51) **LOC (8) Cl.** **07-01**

(52) **U.S. Cl.** **D7/540; D7/575; D7/584**

(58) **Field of Classification Search** D7/545,
D7/587, 553.3, 551.1, 586, 584, 553.6, 557,
D7/555, 505, 549, 629, 501; D30/130; D11/152,
D11/143; 426/132; 206/546; 220/574, 575,
220/23.6, 506; 249/139; D9/428, 425

See application file for complete search history.

(56) **References Cited**

U.S. PATENT DOCUMENTS

947,373 A * 1/1910 Coleman 62/457.6
2,661,679 A * 12/1953 Van Guilder 249/139
D195,046 S * 4/1963 Swett D7/505
D240,957 S * 8/1976 Burke D11/164
4,395,015 A * 7/1983 Reardon 249/115
D285,157 S * 8/1986 Wan D7/501
D286,250 S * 10/1986 Prescott D7/557
D289,246 S * 4/1987 Ritman D7/584
D289,843 S * 5/1987 Ritman D7/584
D291,757 S * 9/1987 Ritman D7/584
D304,658 S * 11/1989 Mattei D7/505

D304,659 S * 11/1989 Asner D7/505
5,231,850 A 8/1993 Morris et al.
D343,929 S * 2/1994 Karapetian D30/130
5,345,784 A 9/1994 Bazemore et al.
D360,112 S * 7/1995 McEntee D7/584
D381,472 S * 7/1997 Catalano et al. D30/130
D384,554 S 10/1997 Ancona et al.
5,869,120 A 2/1999 Blazeovich
D418,018 S * 12/1999 Winsted D7/553.8
6,022,571 A 2/2000 Blazeovich
6,044,650 A 4/2000 Cook et al.
6,168,813 B1 1/2001 Blazeovich
D444,676 S * 7/2001 Murphy D7/553.6
6,318,114 B1 11/2001 Slaughter
D452,146 S 12/2001 Lin
D453,308 S * 2/2002 McCauley D11/152
6,474,494 B1 11/2002 Miller et al.
6,514,548 B1 2/2003 Lin
6,550,630 B1 * 4/2003 Krupa 220/575
D478,469 S 8/2003 Roth et al.
6,601,403 B1 8/2003 Roth et al.
D481,262 S * 10/2003 Tisdale et al. D7/586
D488,741 S * 4/2004 Moya D11/143
D489,972 S * 5/2004 Lin D7/553.6
D511,273 S * 11/2005 Hadelar D7/553.6
D516,867 S * 3/2006 Martin et al. D7/586

* cited by examiner

Primary Examiner—M. N. Pandozzi

(74) *Attorney, Agent, or Firm*—Garcia-Zamor IP Law; Ruy M. Garcia-Zamor

(57) **CLAIM**

The ornamental design for a bowl, as shown and described.

DESCRIPTION

FIG. 1 is a perspective view of a bowl showing our new design;

FIG. 2 is a top plan view of the bowl of FIG. 1;

FIG. 3 is a front elevational view of the bowl of FIG. 1; the rear elevational view of the bowl of FIG. 1 being the same; the left side elevational view of the bowl of FIG. 1 being the same; the right side elevational view of the bowl of FIG. 1 being the same; and,

FIG. 4 is a bottom plan view of the bowl of FIG. 1.

1 Claim, 2 Drawing Sheets

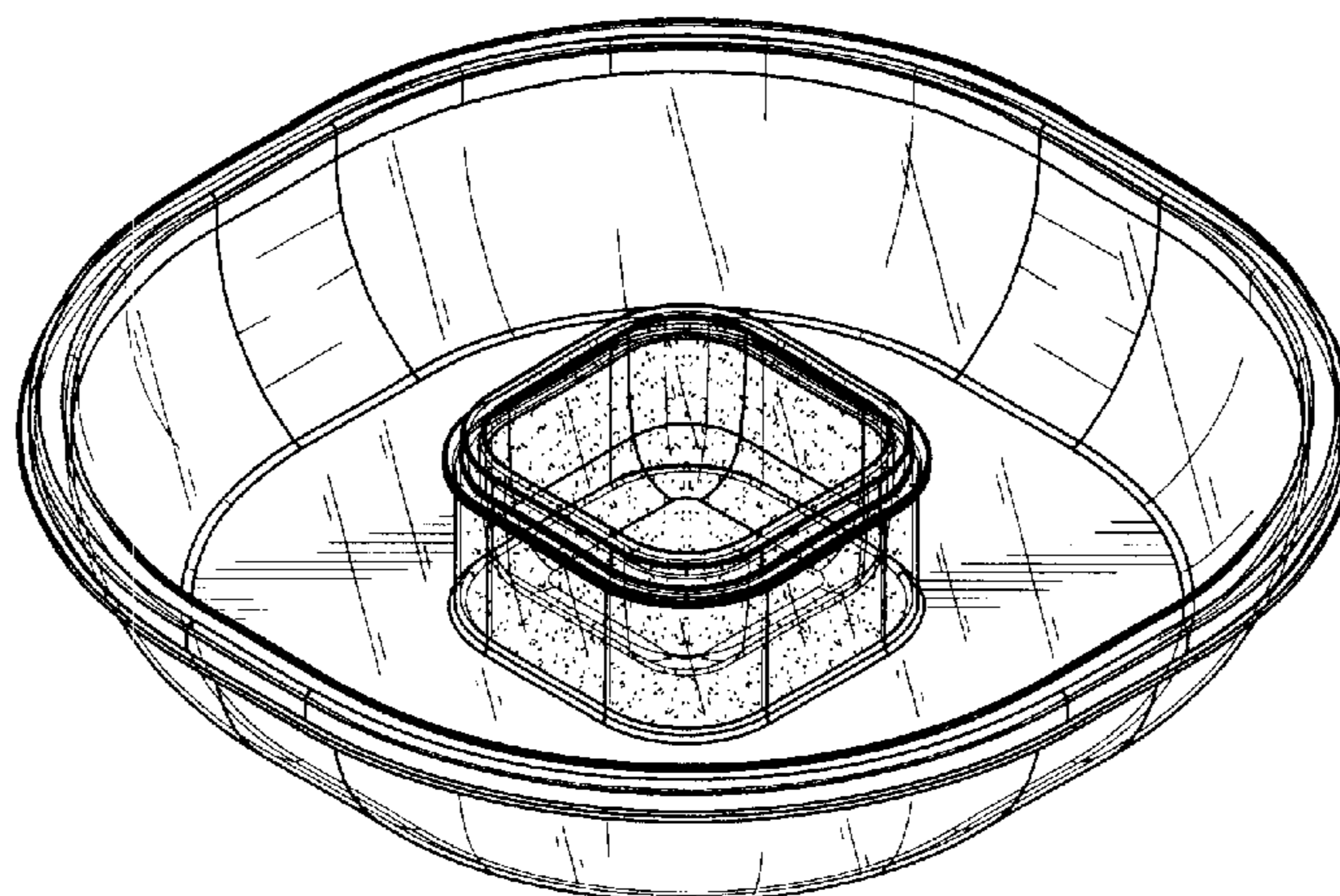


FIG. 1

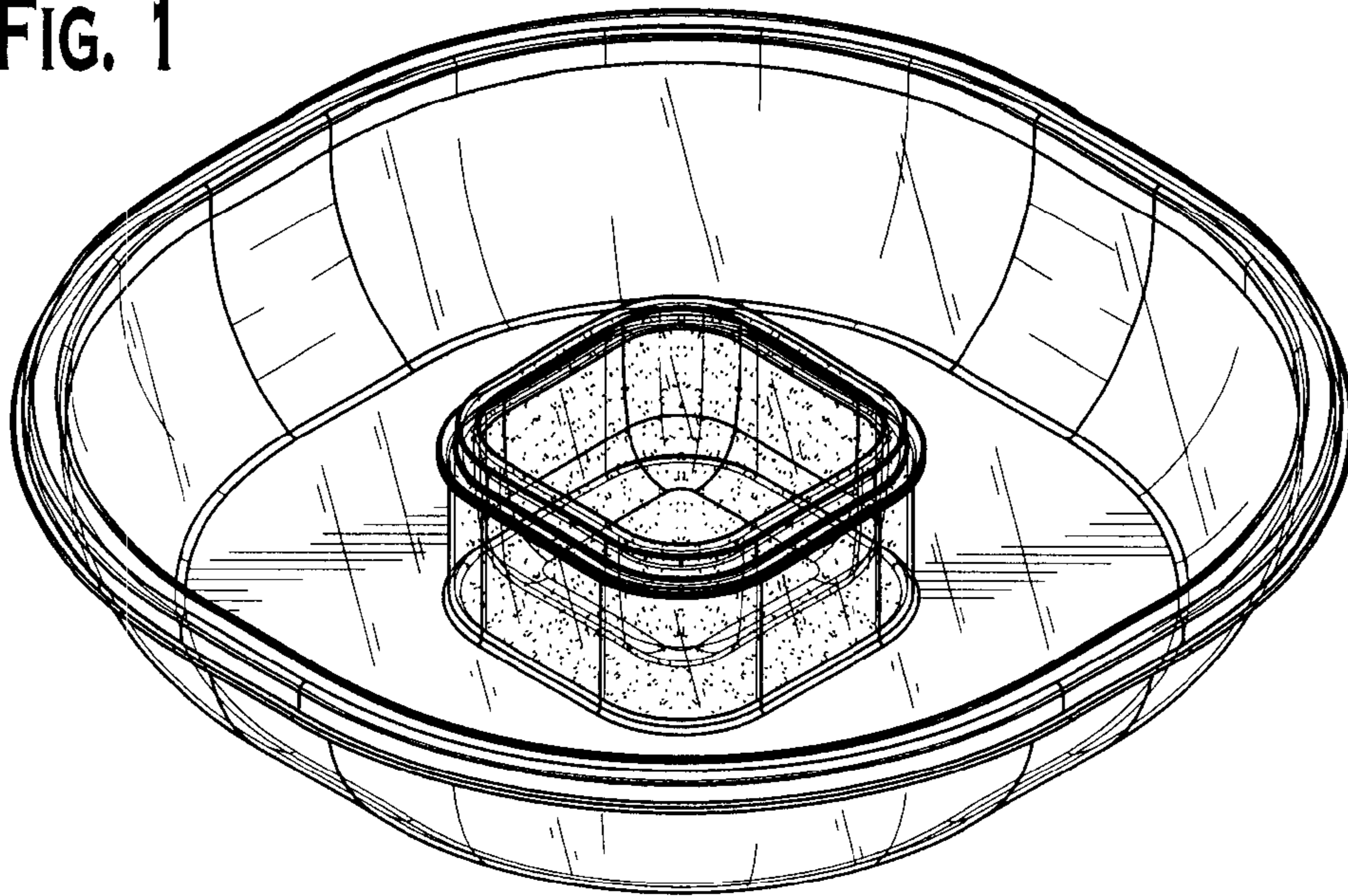


FIG. 2

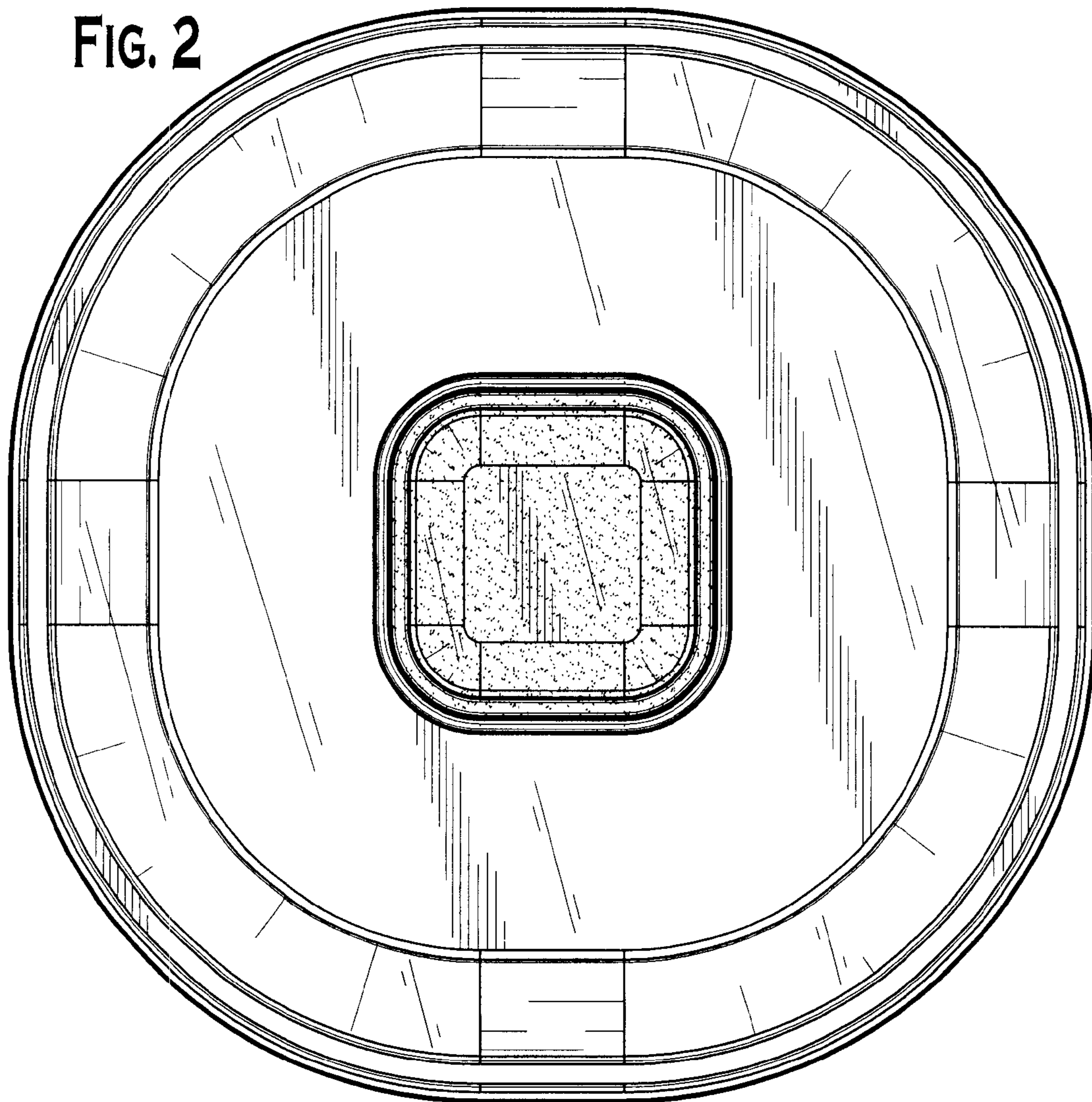


FIG. 3

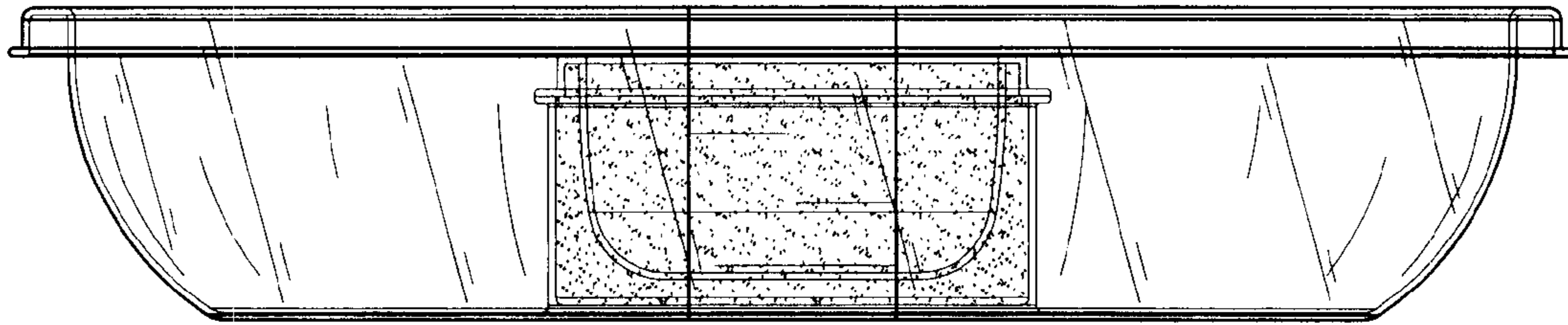


FIG. 4

