

US00D526160S

(12) **United States Design Patent**
Sesona

(10) **Patent No.:** **US D526,160 S**

(45) **Date of Patent:** **** Aug. 8, 2006**

(54) **HANDLED METAL COOKING RING
DISPOSABLE BETWEEN OPPOSED
COOKING SURFACES**

D413,765 S * 9/1999 Adler et al. D7/407
D439,801 S * 4/2001 Measom D7/407
D468,963 S * 1/2003 Pai D7/407

(76) Inventor: **Albert J. Sesona**, 7731 Manassas Ct.
West, Jacksonville, FL (US) 32277

* cited by examiner

Primary Examiner—Catherine R. Oliver
(74) *Attorney, Agent, or Firm*—Author G. Yeager

(**) Term: **14 Years**

(57) **CLAIM**

(21) Appl. No.: **29/214,860**

I claim the ornamental design for a handheld metal cooking ring disposable between opposed cooking surfaces, as shown and described.

(22) Filed: **Oct. 12, 2004**

(51) **LOC (8) Cl.** **07-02**

(52) **U.S. Cl.** **D7/407; D7/323**

(58) **Field of Classification Search** D7/323,
D7/402-409, 339-340; 126/215, 214 A,
126/216, 214 R, 214 C, 214 D, 211, 39 E;
248/315; 219/558-561

See application file for complete search history.

DESCRIPTION

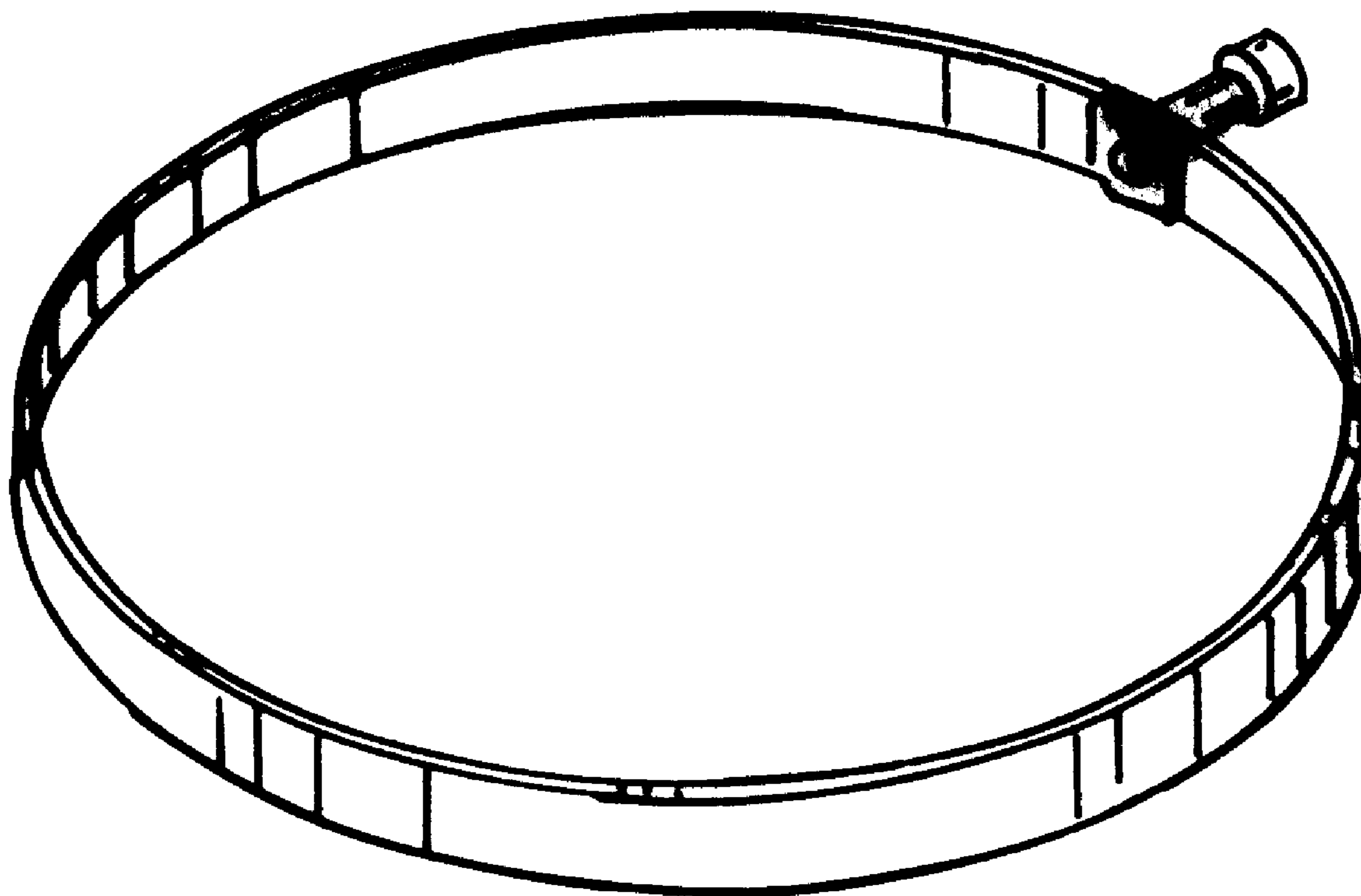
FIG. 1 is a top side perspective view of a handled metal cooking ring disposable between opposed cooking surfaces showing my new design in accord with my invention; FIG. 2 is a top plan view thereof, the bottom plan view being the mirror image thereof; FIG. 3 is a front side elevational view thereof; FIG. 4 is a rear side elevational view thereof; FIG. 5 is a left side elevational view thereof; and, FIG. 6 is a right side elevational view thereof.

(56) **References Cited**

U.S. PATENT DOCUMENTS

5,227,611 A * 7/1993 Allatt et al. D7/407
D339,959 S * 10/1993 Eckman D7/407

1 Claim, 1 Drawing Sheet



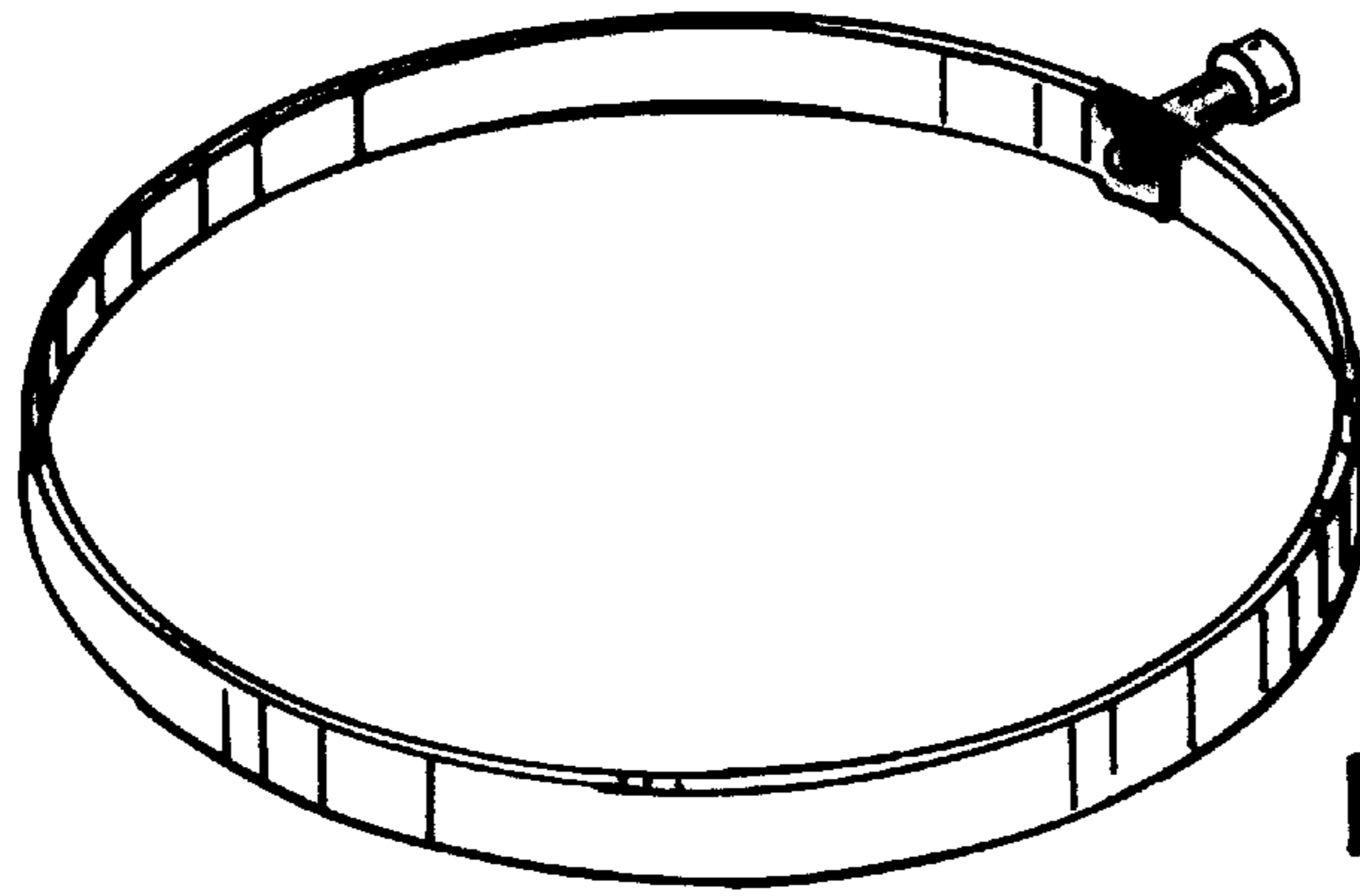


FIG. 1



FIG. 3



FIG. 5

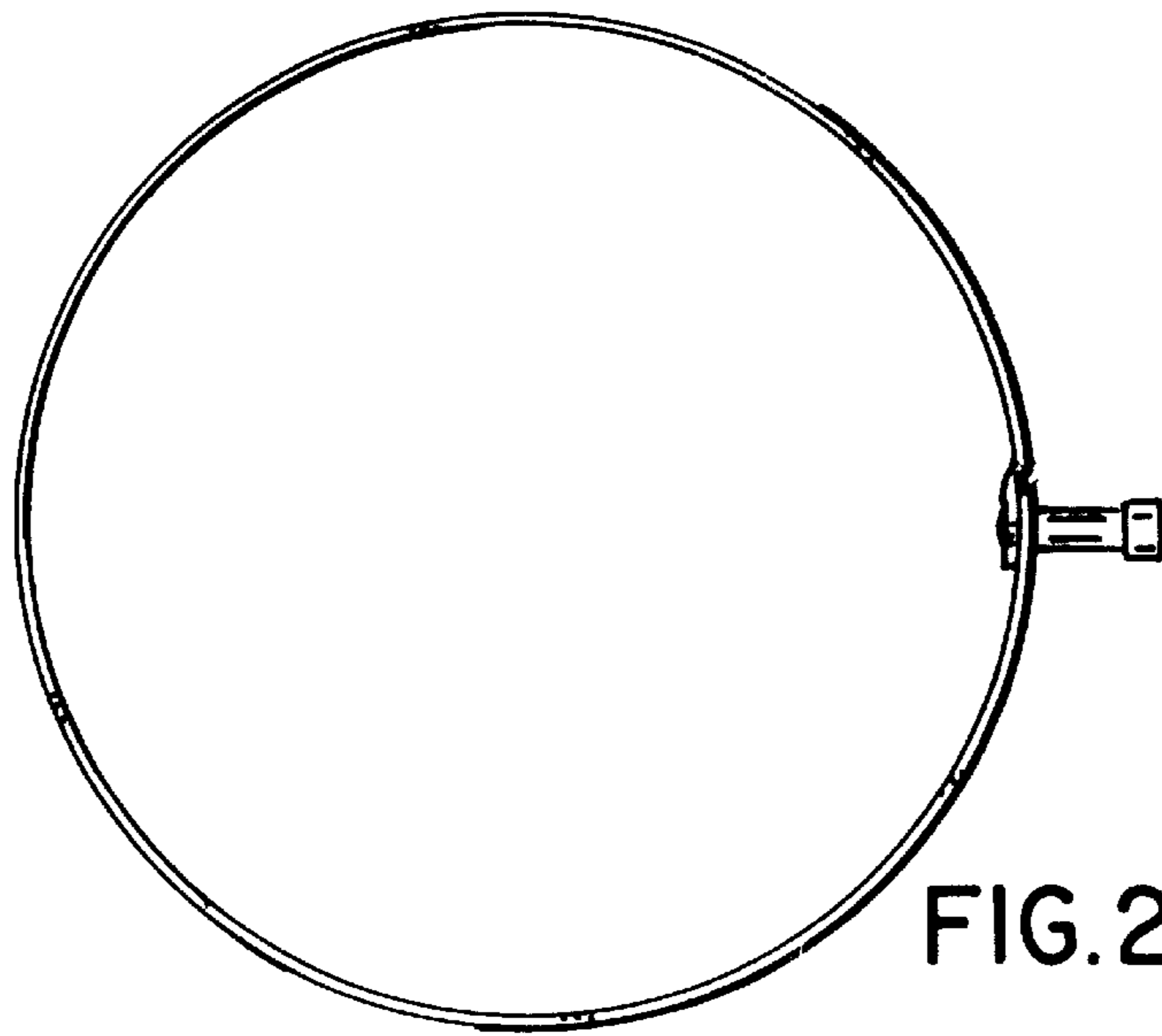


FIG. 2



FIG. 6



FIG. 4