



US00D526158S

(12) **United States Design Patent**
Laib

(10) **Patent No.:** **US D526,158 S**

(45) **Date of Patent:** **** Aug. 8, 2006**

(54) **COVER FOR A CONTAINER**

(75) Inventor: **Douglas M. Laib**, Orlando, FL (US)

(73) Assignee: **Dart-Industries Inc.**, Orlando, FL (US)

(**) Term: **14 Years**

(21) Appl. No.: **29/223,760**

(22) Filed: **Feb. 18, 2005**

(51) **LOC (8) Cl.** **07-02**

(52) **U.S. Cl.** **D7/392.1**

(58) **Field of Classification Search** D7/317-319,
D7/391-392.1, 396.2, 510-511, 629; D9/435,
D9/440, 444, 447, 449-450, 454, 503-504;
215/211, 200, 224, 243; 220/700, 701, 703,
220/711, 713-715, 719

See application file for complete search history.

(56) **References Cited**

U.S. PATENT DOCUMENTS

4,809,868	A	3/1989	Pomroy	
D330,311	S	10/1992	Narsutis	
D352,423	S	11/1994	Laib	
D376,952	S	* 12/1996	Rausch D7/392.1
D383,939	S	9/1997	Jeppesen et al.	
D412,639	S	8/1999	Demore	
D415,385	S	* 10/1999	Loew et al. D7/392.1
D425,363	S	* 5/2000	Loew et al. D7/392.1
6,168,813	B1	* 1/2001	Blazevich 426/132
D448,969	S	* 10/2001	Conti D7/392.1
D462,817	S	* 9/2002	Yang D32/37
6,443,096	B1	* 9/2002	Prydie 119/61.56

D466,364	S	* 12/2002	Demore D7/392.1
D468,153	S	1/2003	Seager	
D486,358	S	* 2/2004	Dais et al. D7/629

* cited by examiner

Primary Examiner—Holly Baynham

Assistant Examiner—Cynthia M. Chin

(74) *Attorney, Agent, or Firm*—John A. Doninger

(57) **CLAIM**

The ornamental design for a cover for a container, as shown and described.

DESCRIPTION

FIG. 1 is a top, side and front perspective view of a first embodiment of a cover for a container showing the new design;

FIG. 2 is a front elevation view, the rear elevation being a mirror image thereof;

FIG. 3 is a right side elevation view, the left side elevation view being a mirror image thereof;

FIG. 4 is a top plan view thereof;

FIG. 5 is a bottom plan view thereof;

FIG. 6 is a top, side and front perspective view of a second embodiment of a cover for a container showing the new design;

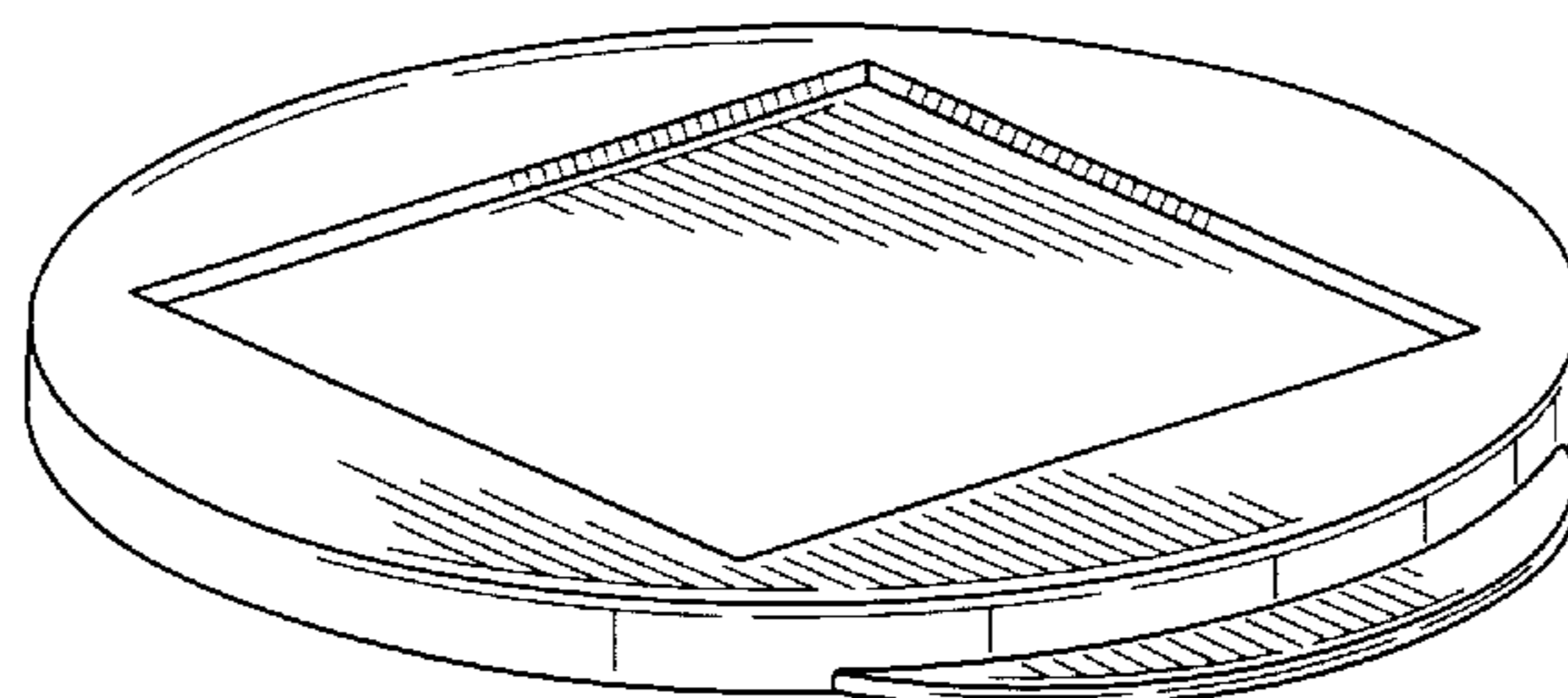
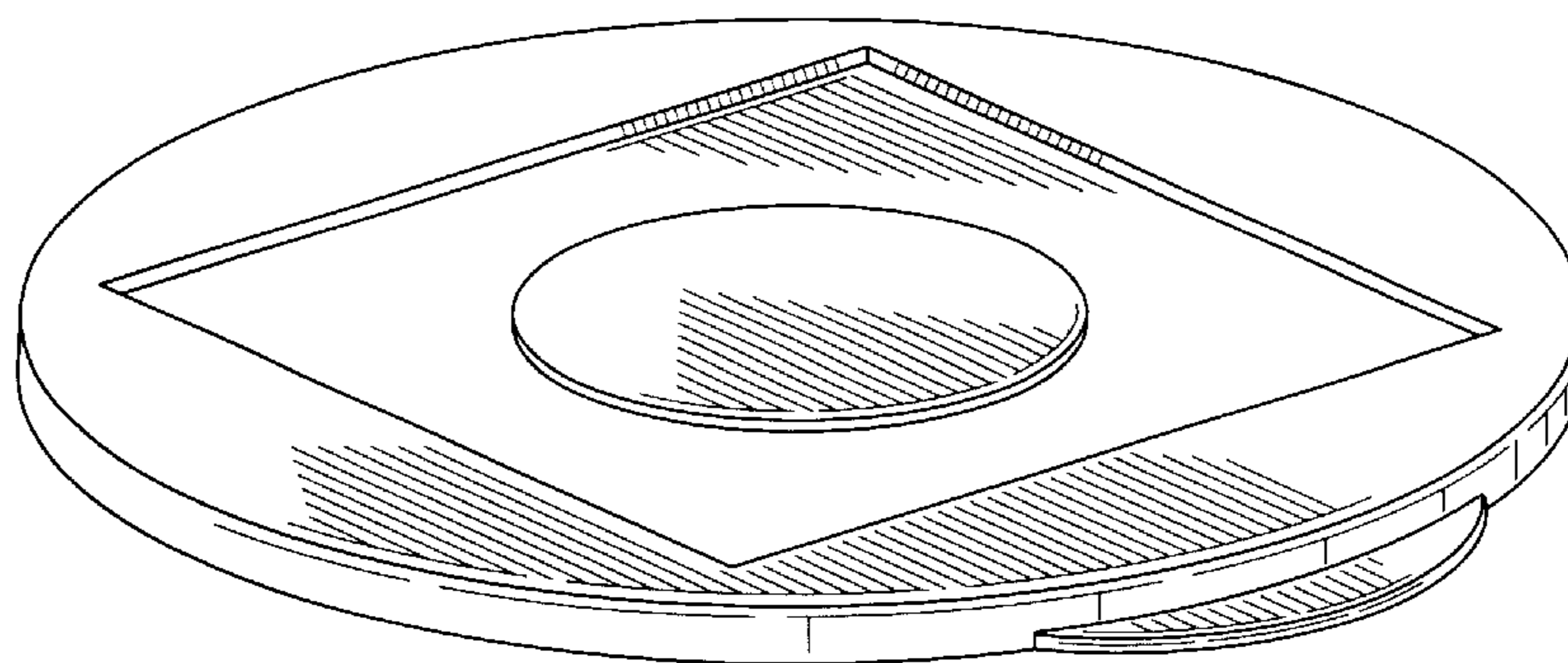
FIG. 7 is a front elevation view, the rear elevation being a mirror image thereof;

FIG. 8 is a right side elevation view, the left side elevation view being a mirror image thereof;

FIG. 9 is a top plan view thereof; and,

FIG. 10 is a bottom plan view thereof.

1 Claim, 5 Drawing Sheets



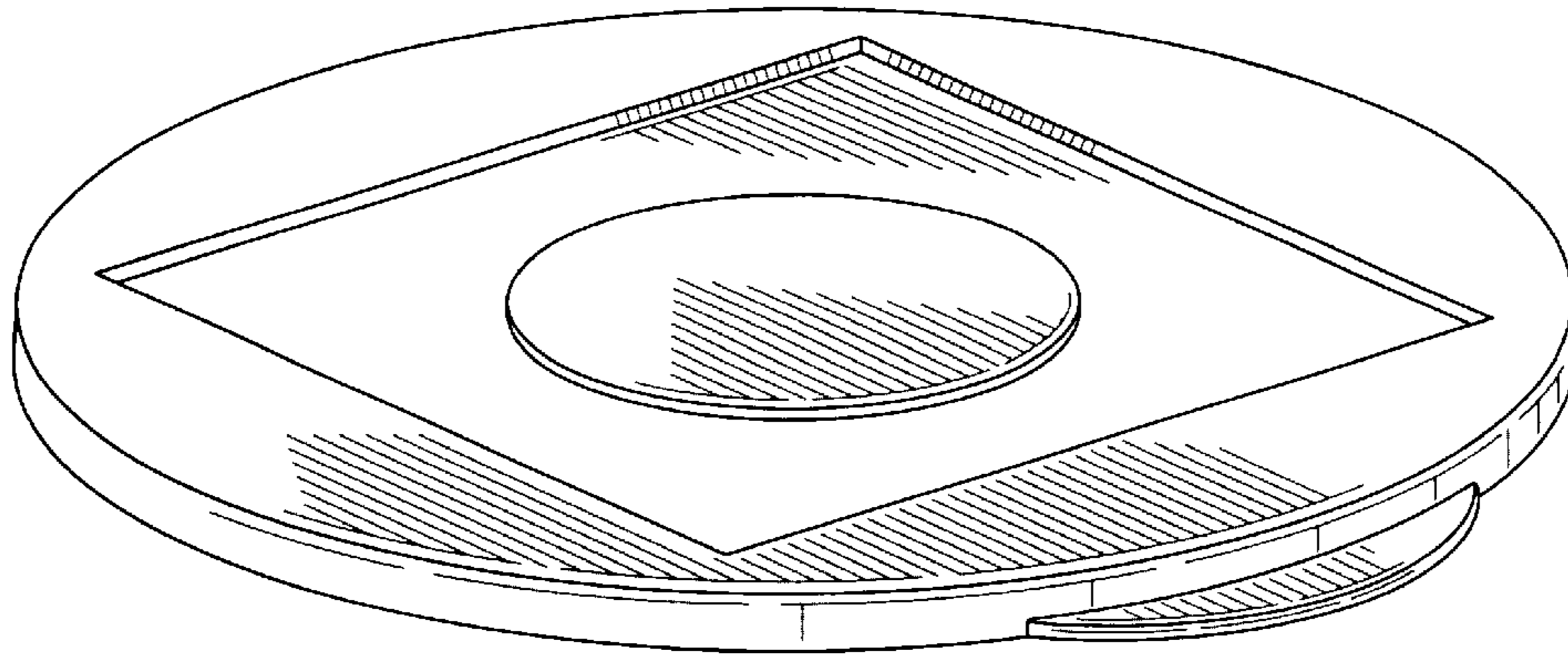


FIG. 1

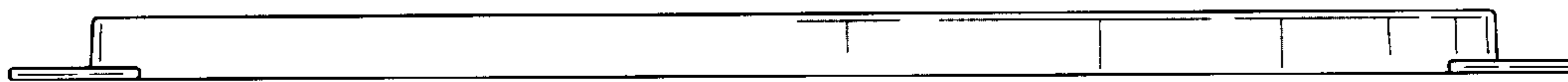


FIG. 2

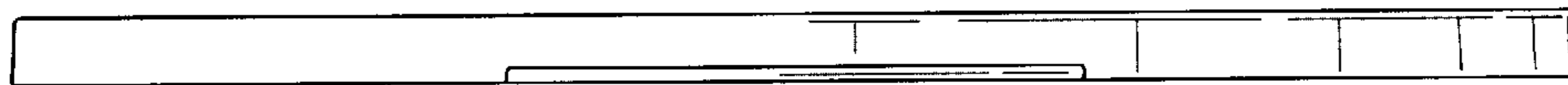


FIG. 3

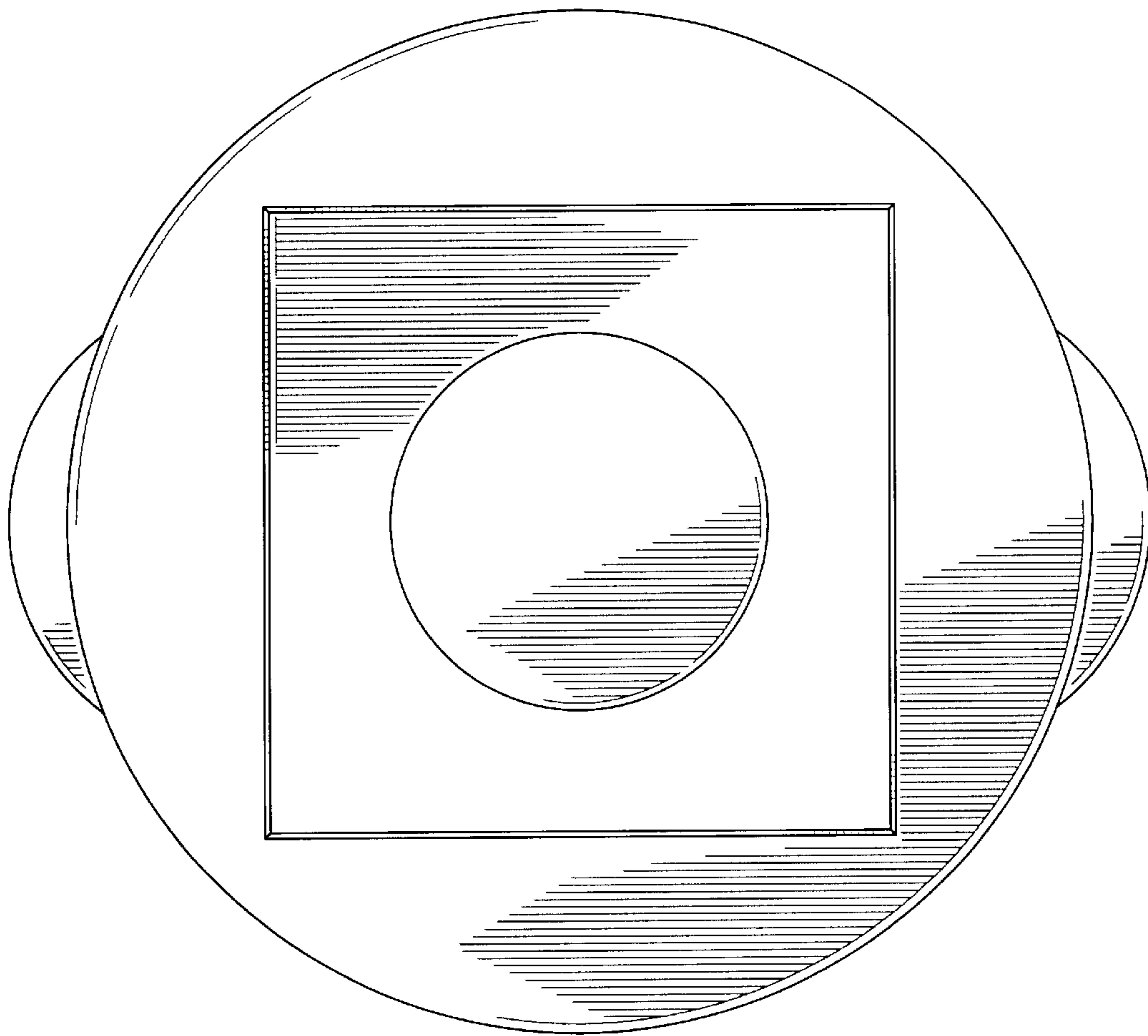


FIG. 4

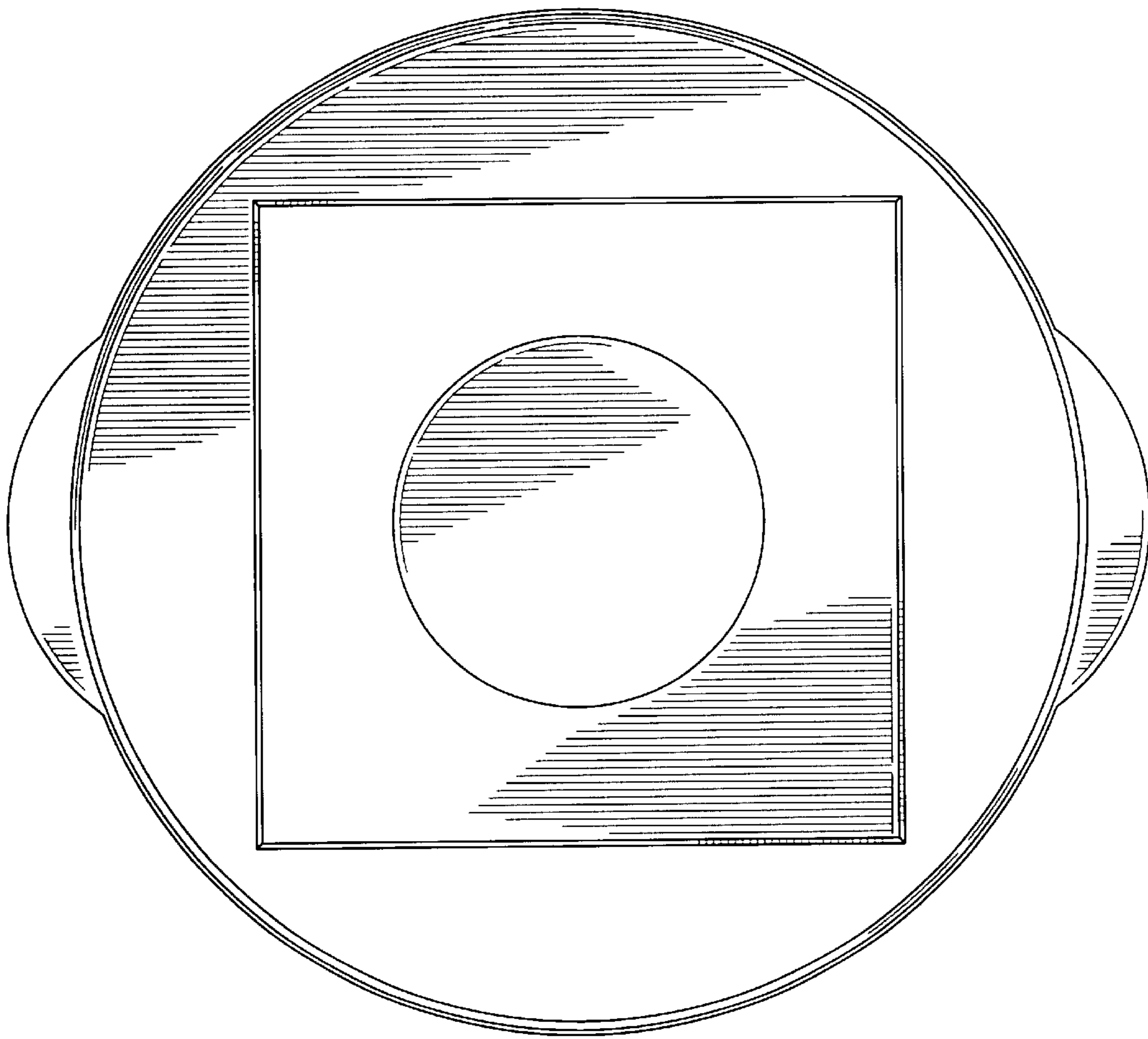


FIG. 5

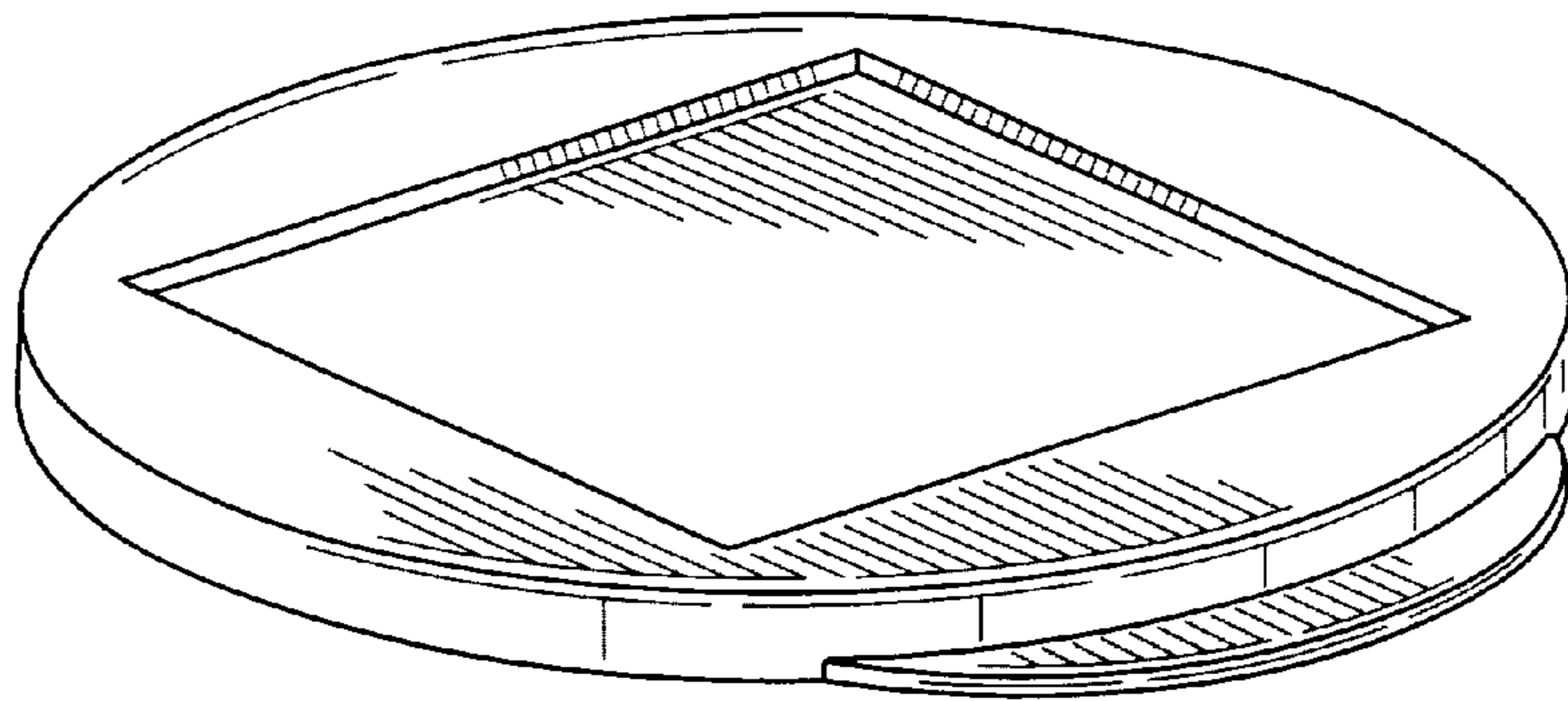


FIG. 6

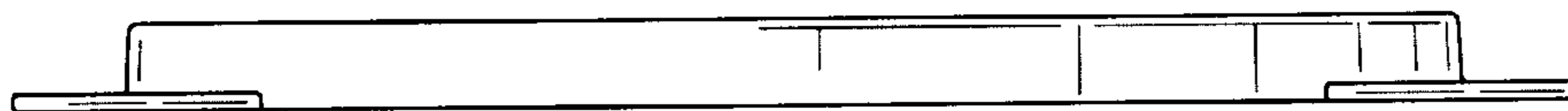


FIG. 7



FIG. 8

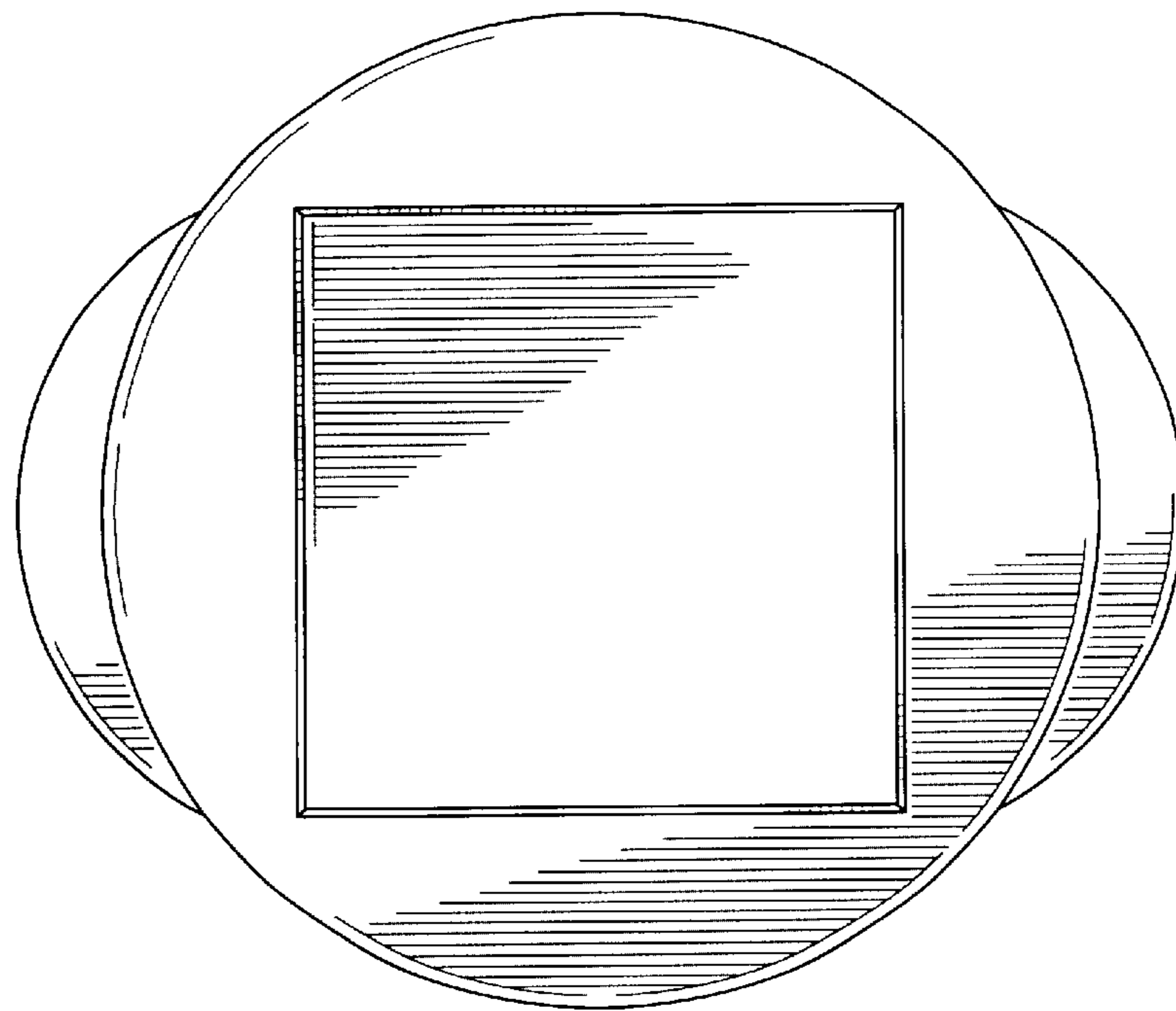


FIG. 9

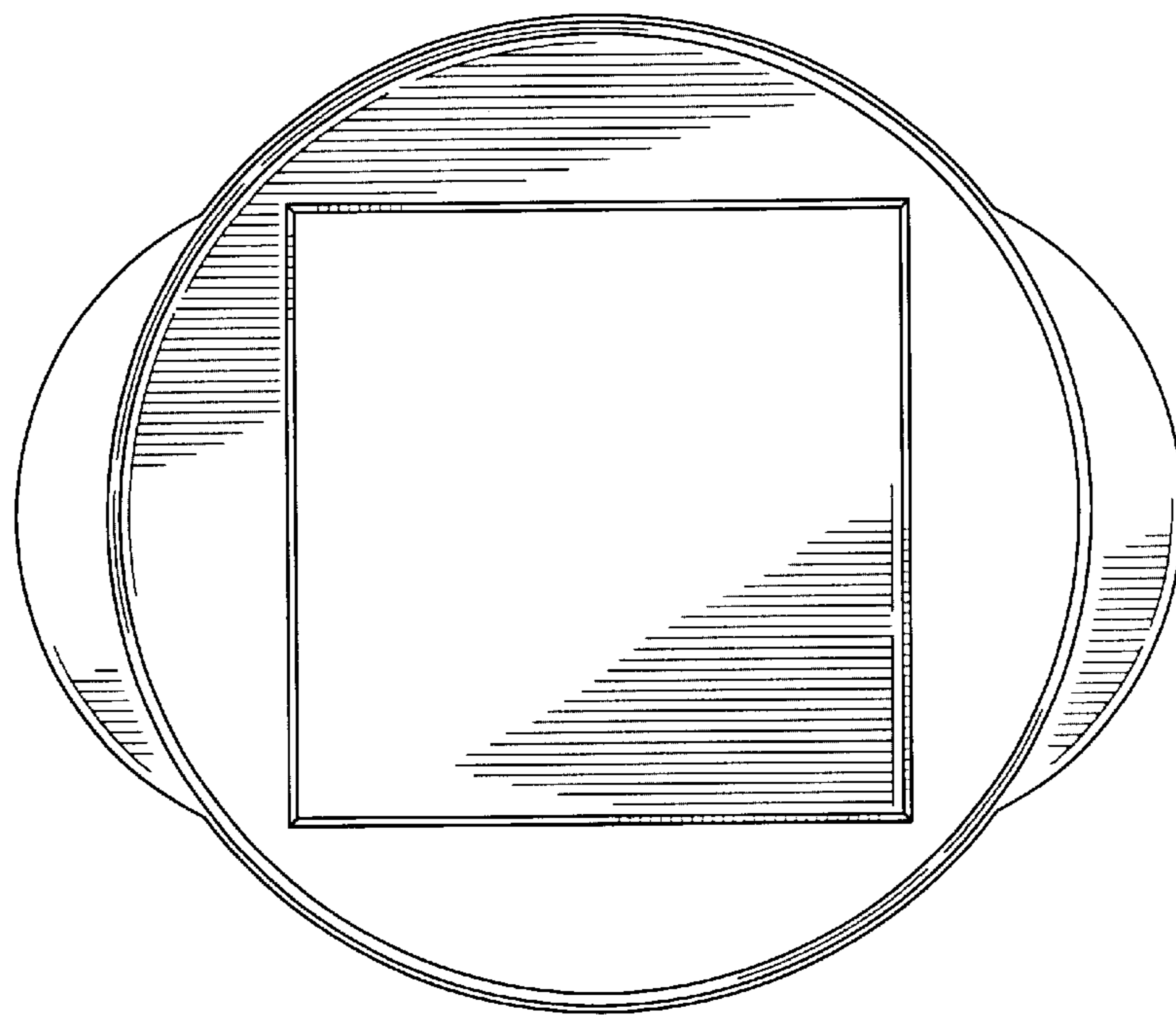


FIG. 10