



US00D526153S

(12) **United States Design Patent**  
**Weiwen**

(10) **Patent No.:** **US D526,153 S**

(45) **Date of Patent:** **\*\* Aug. 8, 2006**

(54) **ELECTRIC HEATING PAN**

(76) Inventor: **Jian Weiwen**, Nanhai Elecpro Electrical Appliance Co., Ltd., Huanzhen Road, Yanbu Town, Nanhai City, Guangdong Province 528248 (CN)

(\*\*) Term: **14 Years**

(21) Appl. No.: **29/192,890**

(22) Filed: **Oct. 30, 2003**

(51) **LOC (8) Cl.** ..... **07-02**

(52) **U.S. Cl.** ..... **D7/352**

(58) **Field of Classification Search** ..... D7/323,  
D7/328-332, 334-339, 352-363; 99/425,  
99/444, 466, 219, 618, 620, 601, 386, 385,  
99/369, 331, 339, 349, 372, 389, 446; 219/620-622;  
222/33; 415/232

See application file for complete search history.

(56) **References Cited**

**U.S. PATENT DOCUMENTS**

D379,733 S	*	6/1997	Liu et al.	.....	D7/352
D407,598 S	*	4/1999	Deni et al.	.....	D7/352
D409,876 S	*	5/1999	Gruaz	.....	D7/352
D413,760 S	*	9/1999	Tsai et al.	.....	D7/352

D433,271 S	*	11/2000	Lin	.....	D7/352
D445,630 S	*	7/2001	Hsu	.....	D7/352
D446,679 S	*	8/2001	Lin	.....	D7/352
D462,566 S	*	9/2002	Wu	.....	D7/352
D475,237 S	*	6/2003	Lin	.....	D7/352

\* cited by examiner

*Primary Examiner*—Caron D. Veynar

*Assistant Examiner*—Ricky Pham

(74) *Attorney, Agent, or Firm*—Knobble Yoshida & Dunleavy, LLC

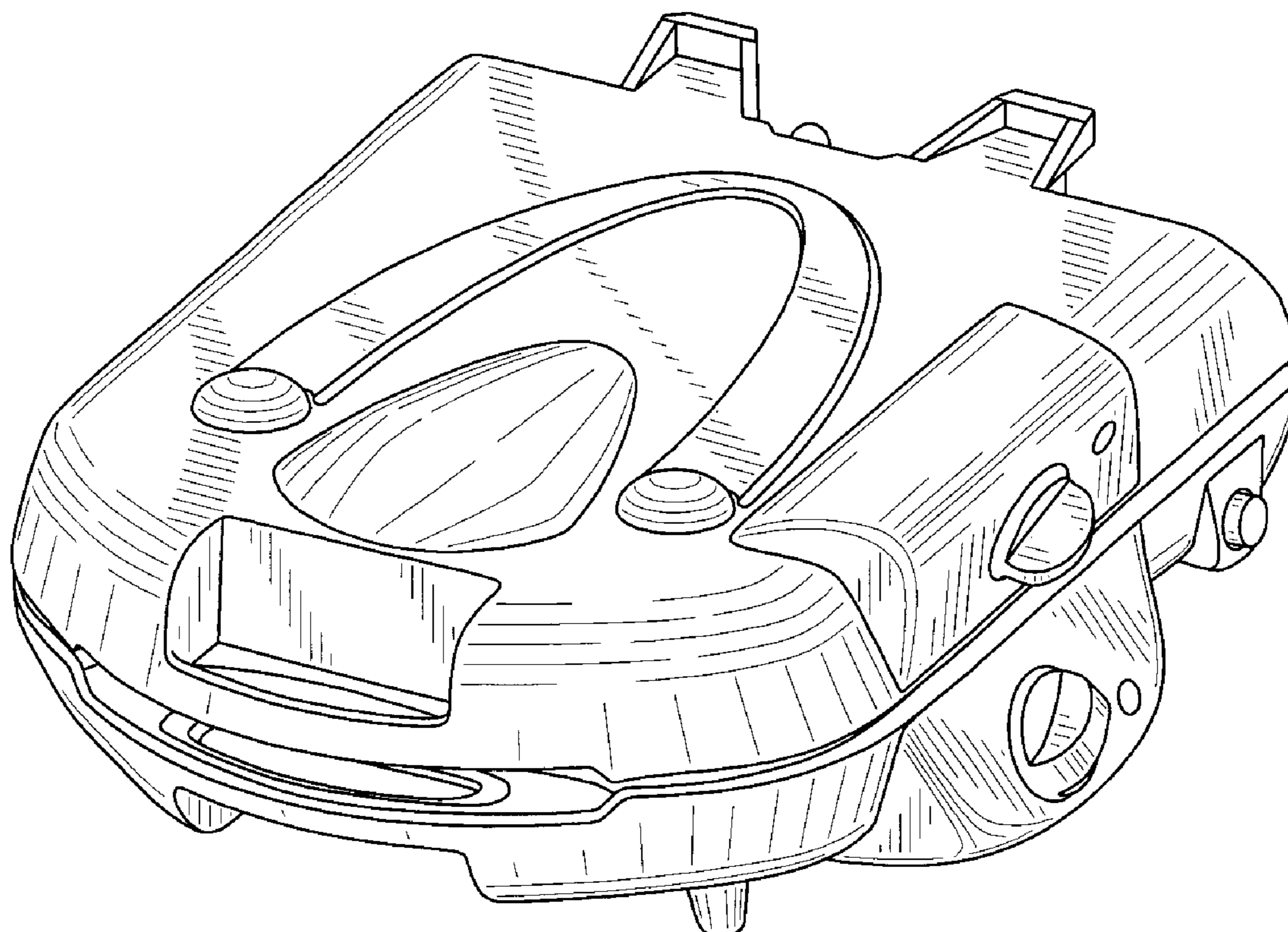
(57) **CLAIM**

The ornamental design for an “electric heating pan,” as shown.

**DESCRIPTION**

FIG. 1 is a front perspective view of an electric heating pan showing my new design;  
FIG. 2 is a bottom plan view thereof;  
FIG. 3 is a top plan view thereof;  
FIG. 4 is a right side elevational view thereof;  
FIG. 5 is a left side elevational view thereof;  
FIG. 6 is a rear elevational view thereof; and,  
FIG. 7 is a front elevational view.

**1 Claim, 5 Drawing Sheets**



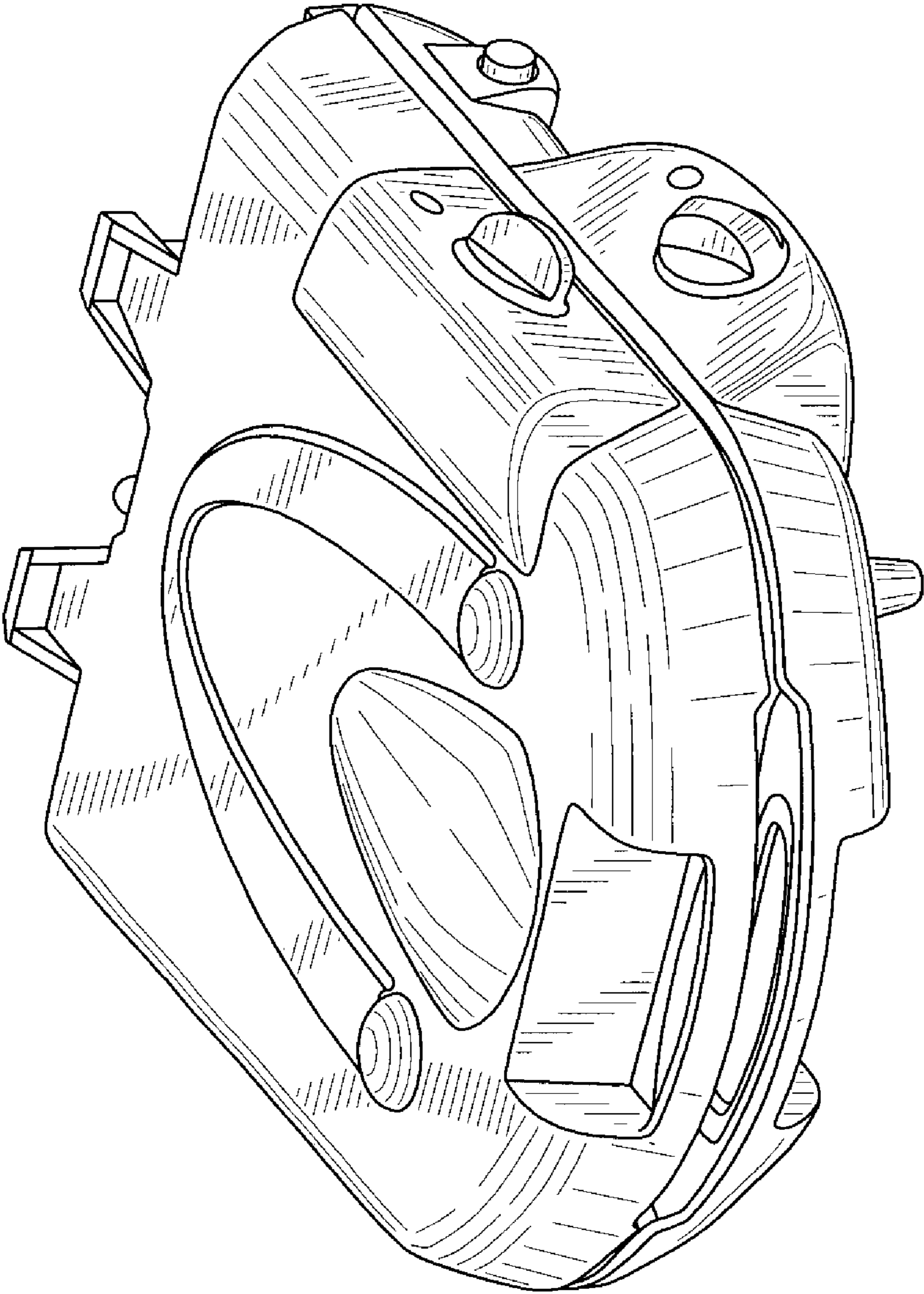


FIG. 1

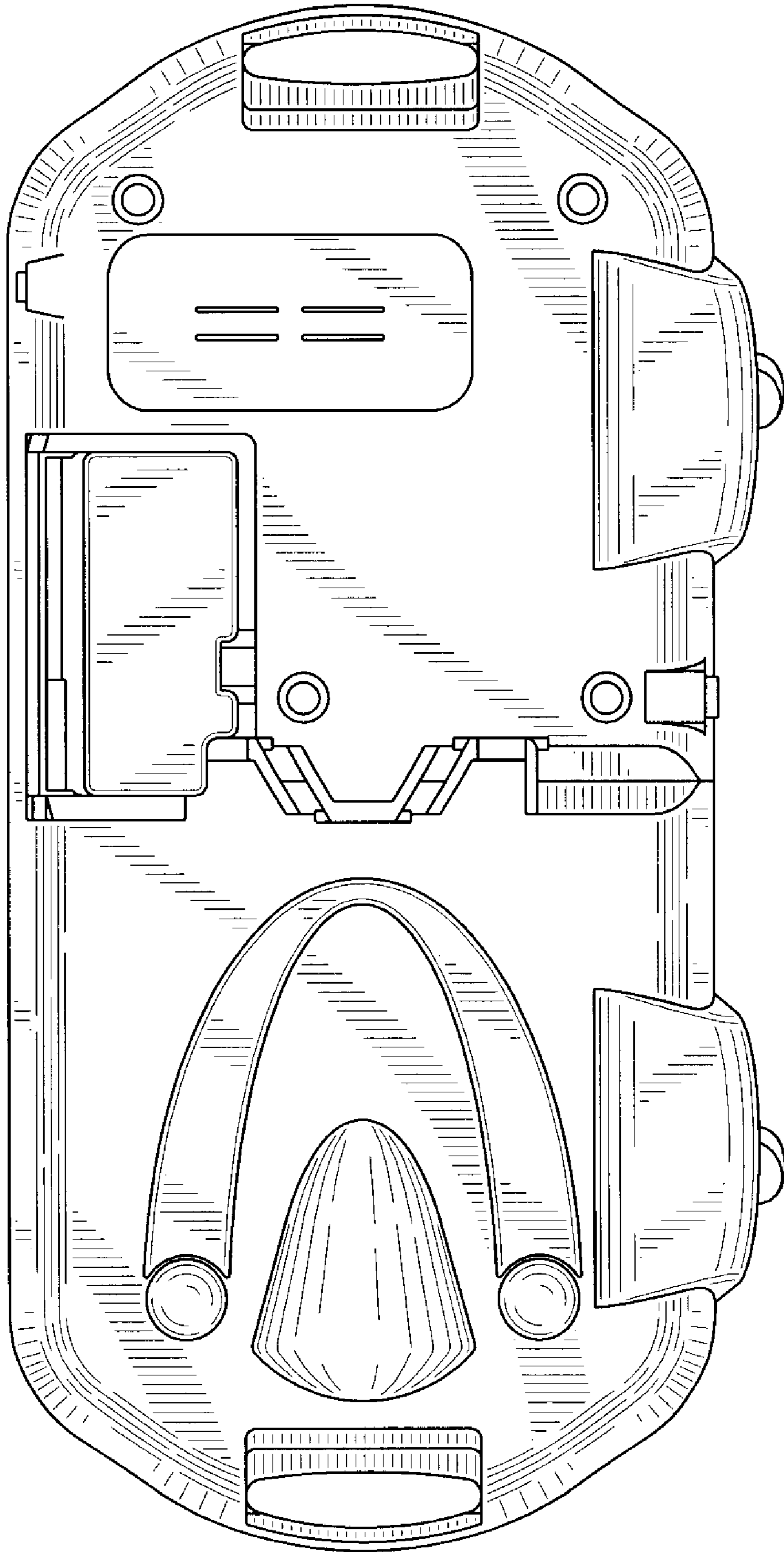


FIG. 2

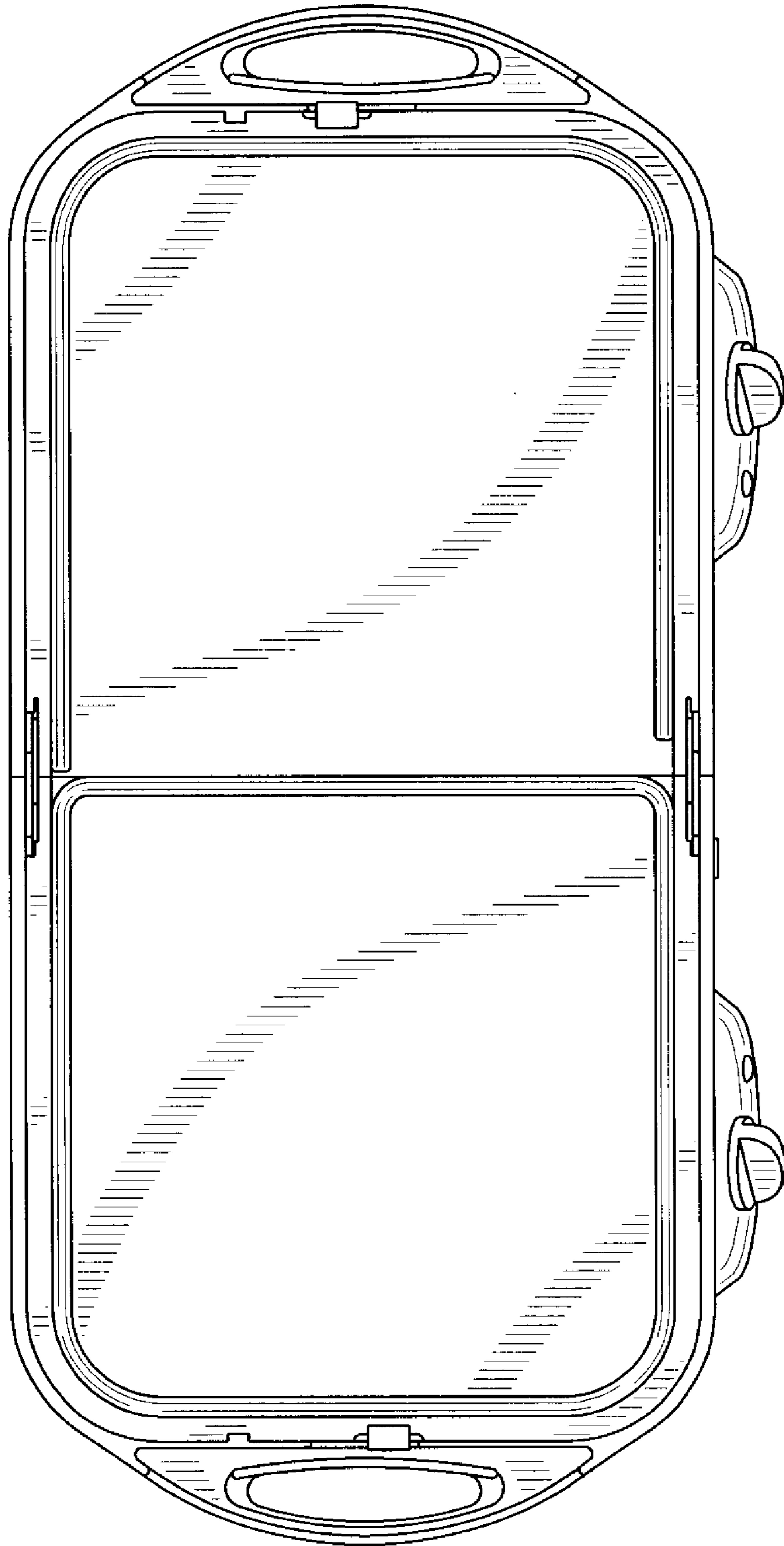


FIG. 3

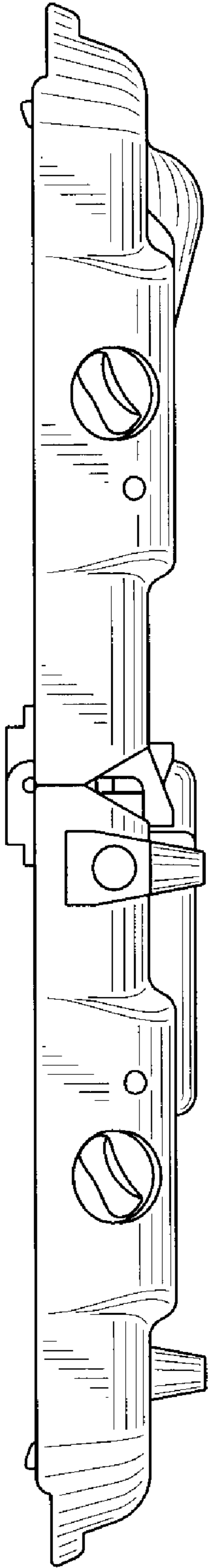


FIG. 4

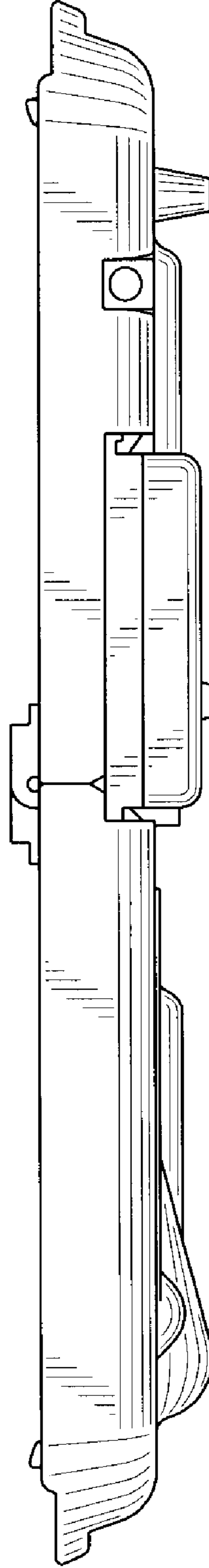


FIG. 5

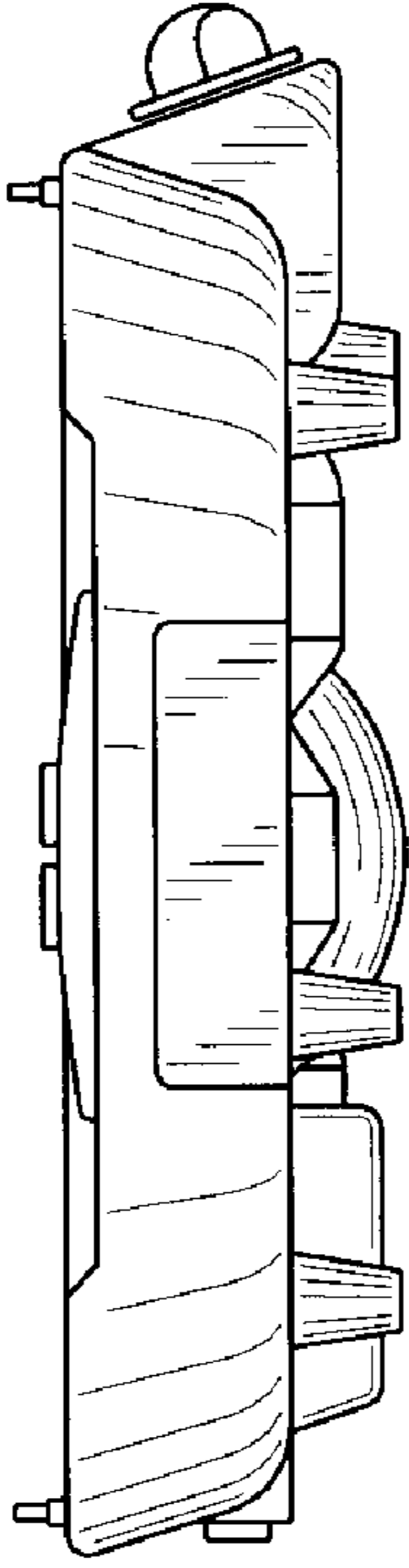


FIG. 7

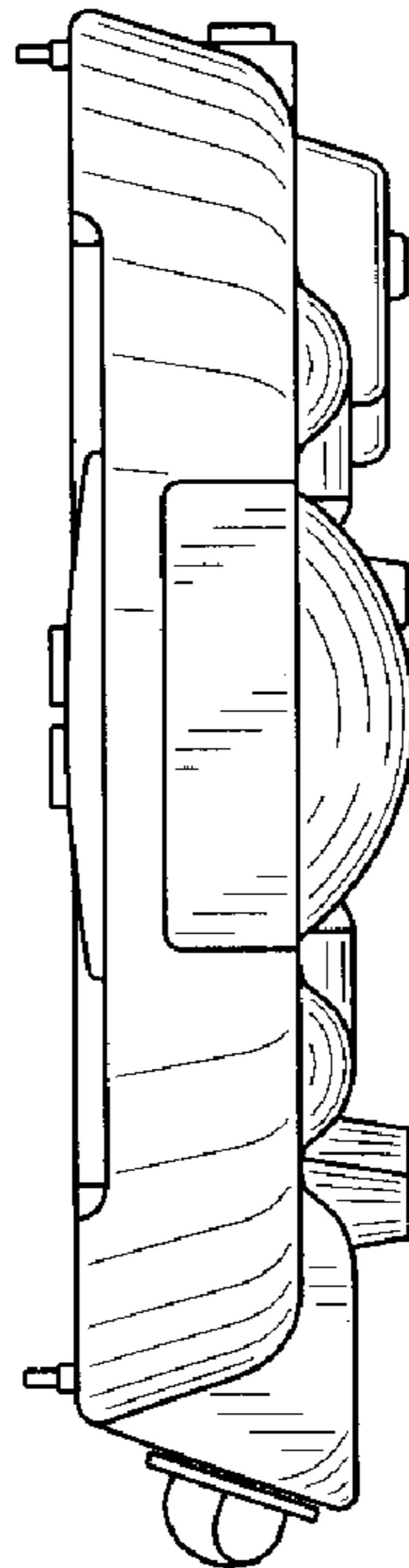


FIG. 6