



US00D526151S

(12) **United States Design Patent**
Contreras

(10) **Patent No.:** **US D526,151 S**
(45) **Date of Patent:** **** Aug. 8, 2006**

- (54) **MATTRESS TOPPER**
- (75) Inventor: **Jose D. M. Contreras**, Compton, CA (US)
- (73) Assignee: **Foamex L.P.**, Linwood, PA (US)
- (**) Term: **14 Years**
- (21) Appl. No.: **29/199,410**
- (22) Filed: **Feb. 13, 2004**
- (51) **LOC (8) Cl.** **06-09**
- (52) **U.S. Cl.** **D6/606**
- (58) **Field of Classification Search** D6/601, D6/603, 595, 596, 605, 606; 5/901, 907, 5/655.9, 736, 731, 482, 737, 740, 720, 652.1, 5/727; D24/183; D5/47, 53, 58; D21/491, D21/168; 296/187.03; 267/145; 428/174; 52/181
See application file for complete search history.

- D416,741 S * 11/1999 Denney et al. D6/596
- D417,355 S 12/1999 Denney et al.
- D419,356 S 1/2000 Denney et al.
- D421,358 S 3/2000 Henson
- D429,545 S 8/2000 Denney
- D429,589 S 8/2000 Denney
- D430,716 S 9/2000 Denney
- D431,100 S 9/2000 Denney
- 6,221,463 B1 * 4/2001 White 428/174
- 6,347,423 B1 * 2/2002 Stumpf 5/720
- D456,197 S 4/2002 McClure et al.
- D488,661 S * 4/2004 Barman D6/596
- 6,726,190 B1 * 4/2004 Malpass et al. 267/145
- 6,739,008 B1 * 5/2004 Kindrick 5/655.9
- 6,752,450 B1 * 6/2004 Carroll et al. 296/187.03
- D509,980 S * 9/2005 Martin et al. D6/596
- 6,952,852 B1 * 10/2005 Reeder et al. 5/727

* cited by examiner

Primary Examiner—Robert M. Spear
Assistant Examiner—Mary Ann Calabrese
(74) *Attorney, Agent, or Firm*—Connolly Bove Lodge & Hutz LLP

(56) **References Cited**
U.S. PATENT DOCUMENTS

- 605,732 A * 6/1898 Locke 52/181
- 2,604,642 A * 7/1952 Marco 5/727
- 3,940,811 A * 3/1976 Tomikawa et al. 5/740
- 3,987,507 A * 10/1976 Hall 5/653
- 4,866,800 A * 9/1989 Bedford 5/652.1
- D326,204 S 5/1992 Main
- D336,400 S 6/1993 Mitchell et al.
- D339,018 S 9/1993 Main
- D339,019 S 9/1993 Main
- D339,261 S * 9/1993 Limon et al. D6/596
- D353,072 S 12/1994 Cornell, Jr. et al.
- D356,917 S 4/1995 Marshburn
- D356,918 S 4/1995 Marshburn
- D365,857 S * 1/1996 Lyman D21/491
- D365,956 S 1/1996 Bonaddio et al.
- D370,127 S 5/1996 Bonaddio et al.
- D381,543 S 7/1997 Farley
- D391,434 S 3/1998 Denney et al.
- D400,385 S 11/1998 Hudson
- D414,065 S 9/1999 Henson

(57) **CLAIM**

The ornamental design for a mattress topper, as shown and described.

DESCRIPTION

FIG. 1 is a right side elevational view of a mattress topper showing my new design, wherein the left side elevational view is identical thereto;
FIG. 2 is a top plan view of the mattress topper of FIG. 1;
FIG. 3 is a rear elevational view of the mattress topper of FIG. 1;
FIG. 4 is a front elevational view of the mattress topper of FIG. 1; and
FIG. 5 is a bottom plan view of the mattress topper of FIG. 1; and,
FIG. 6 is a enlarged fragmental perspective view of the left front corner of the mattress or mattress topper illustrating the three dimensional depth of the design.

1 Claim, 1 Drawing Sheet

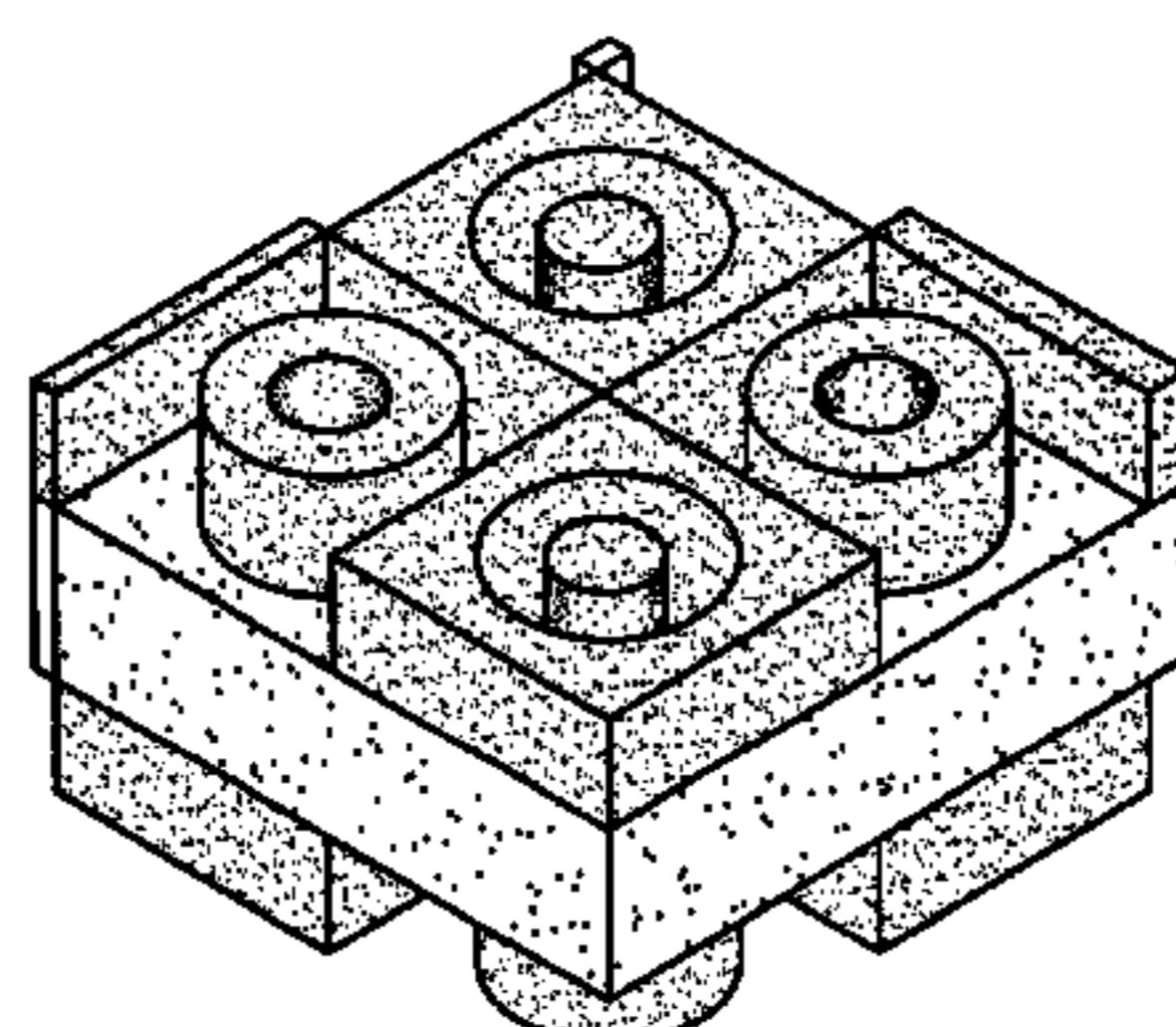
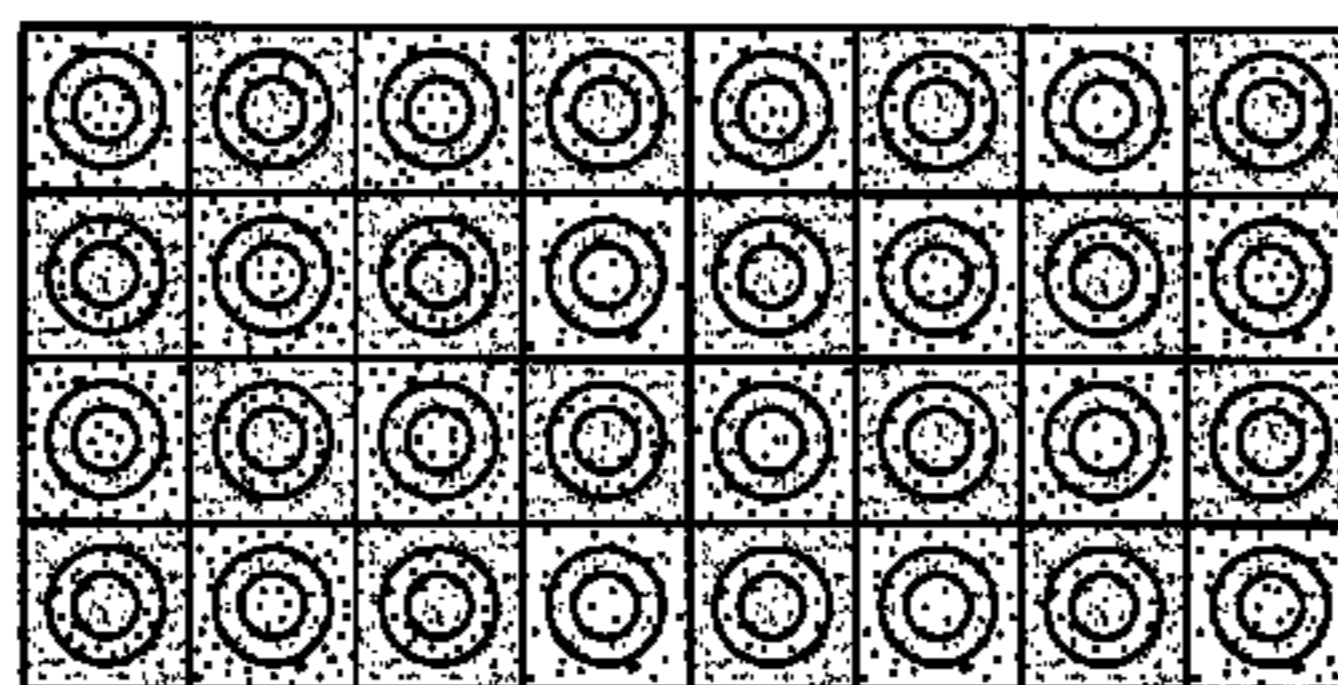


FIG. 3

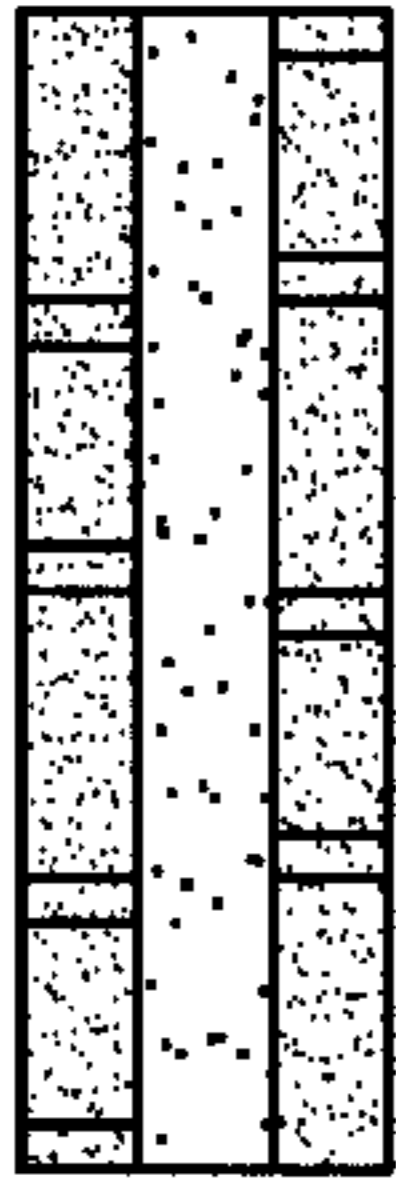


FIG. 2

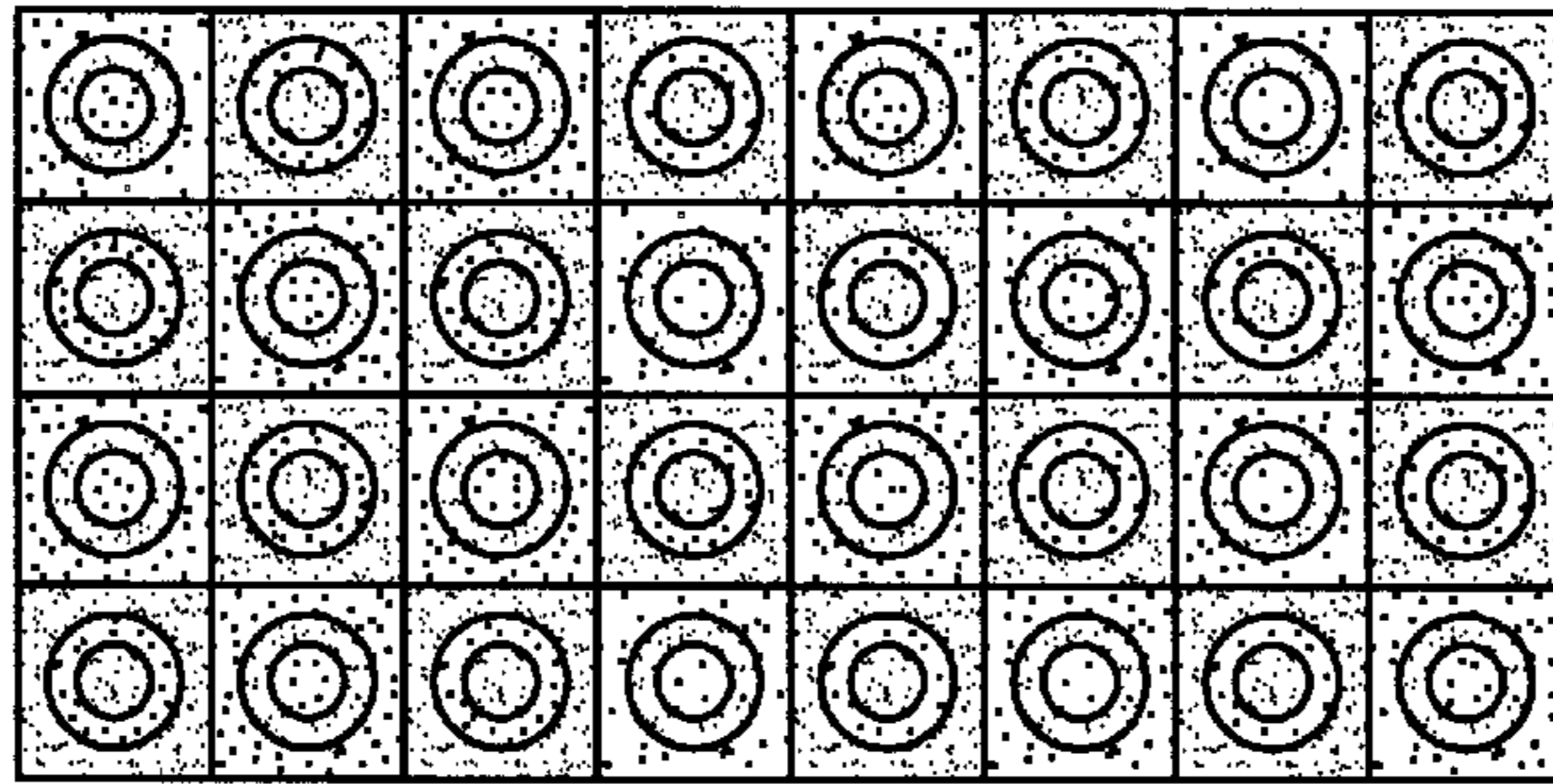


FIG. 4



FIG. 1



FIG. 5

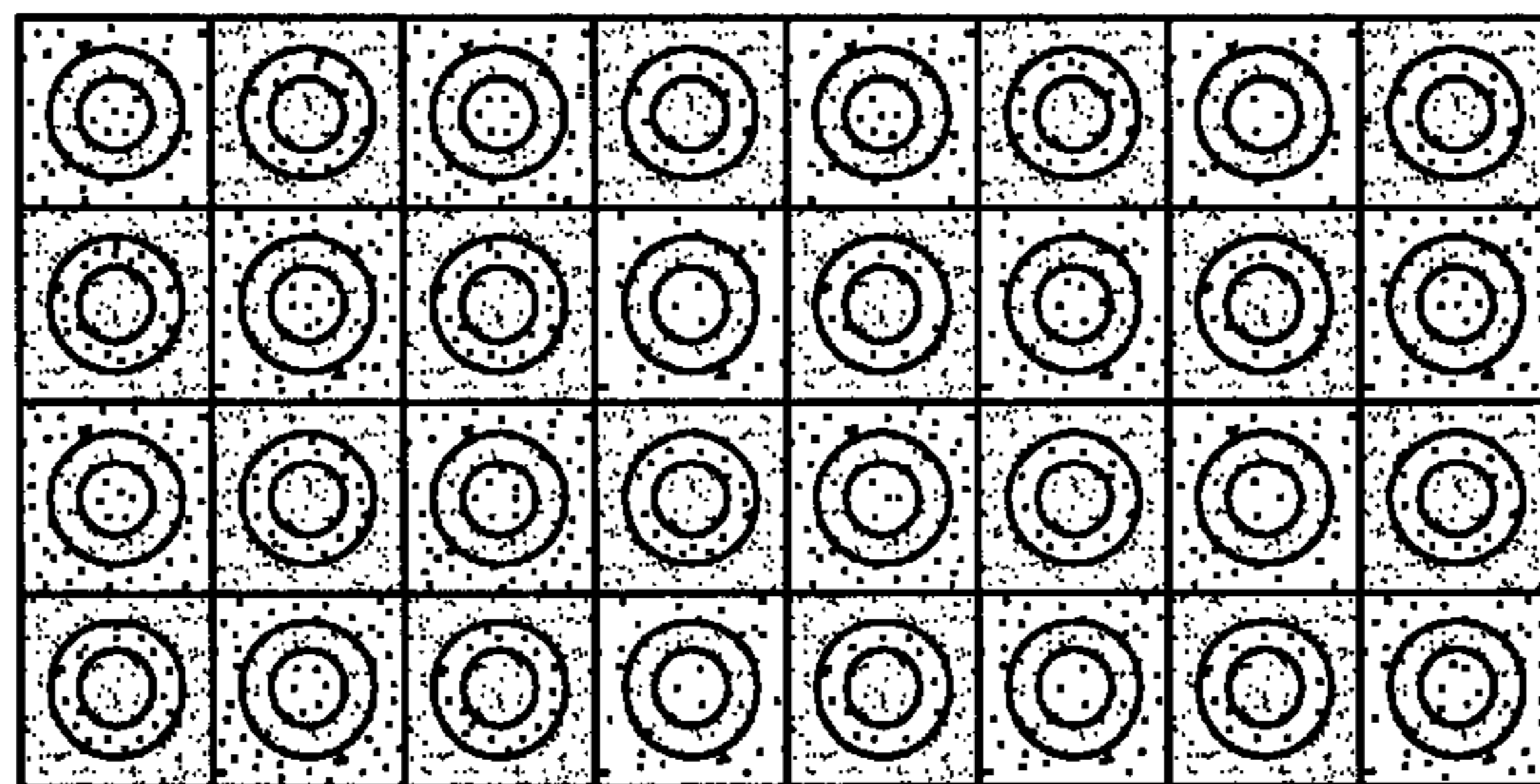


FIG. 6

