



US00D526149S

(12) **United States Design Patent**  
**Schiefer et al.**

(10) **Patent No.:** **US D526,149 S**

(45) **Date of Patent:** **\*\* Aug. 8, 2006**

(54) **BENCH SUPPORT**

(75) Inventors: **Sonja Schiefer**, Santa Monica, CA  
(US); **Ana Maria Reza-Hadden**, San  
Rafael, CA (US)

(73) Assignee: **Landscape Forms Inc.**, Kalamazoo, MI  
(US)

(\*\*) **Term:** **14 Years**

(21) Appl. No.: **29/252,502**

(22) Filed: **Jan. 24, 2006**

**Related U.S. Application Data**

(62) Division of application No. 29/216,586, filed on Nov. 5,  
2004.

(51) **LOC (8) Cl.** ..... **06-01**

(52) **U.S. Cl.** ..... **D6/501**

(58) **Field of Classification Search** ..... D6/334-337,  
D6/349, 369, 381, 382, 384, 390, 391, 374,  
D6/500-502; 297/232-233, 240, 242, 244-245,  
297/445.1, 446.1, 451.9, 452.11, 452.12;  
5/12.1

See application file for complete search history.

(56) **References Cited**

**U.S. PATENT DOCUMENTS**

D156,935 S 1/1950 Carlson ..... D6/368  
3,124,390 A \* 3/1964 Eames et al. .... 297/452.19  
3,887,230 A \* 6/1975 Groning et al. .... 297/232  
D256,300 S 8/1980 Yoshimura ..... D6/368

4,234,227 A \* 11/1980 Faust ..... 297/440.18  
D263,189 S 3/1982 Beals ..... D6/495  
D282,800 S \* 3/1986 Sorensen ..... D6/500  
D330,119 S \* 10/1992 Armgardt ..... D6/372  
D340,362 S \* 10/1993 Kiel ..... D6/368  
D412,622 S 8/1999 DeJule ..... D6/371  
D442,379 S 5/2001 Vertongen ..... D6/368  
D493,293 S \* 7/2004 Vira ..... D6/349  
D509,675 S 9/2005 Reza-Hadden ..... D6/381  
D510,204 S \* 10/2005 Leib ..... D6/374

**OTHER PUBLICATIONS**

“Exposit”, Erlau A.G., Germany, 3 pp.

\* cited by examiner

*Primary Examiner*—Sandra S. Snapp

(74) *Attorney, Agent, or Firm*—Heslin Rothenberg Farley  
& Mesiti P.C.

(57) **CLAIM**

The ornamental design for a bench support, as shown and  
described.

**DESCRIPTION**

FIG. 1 is an isometric view of the bench support of the  
present invention;

FIG. 2 is a front elevation view thereof;

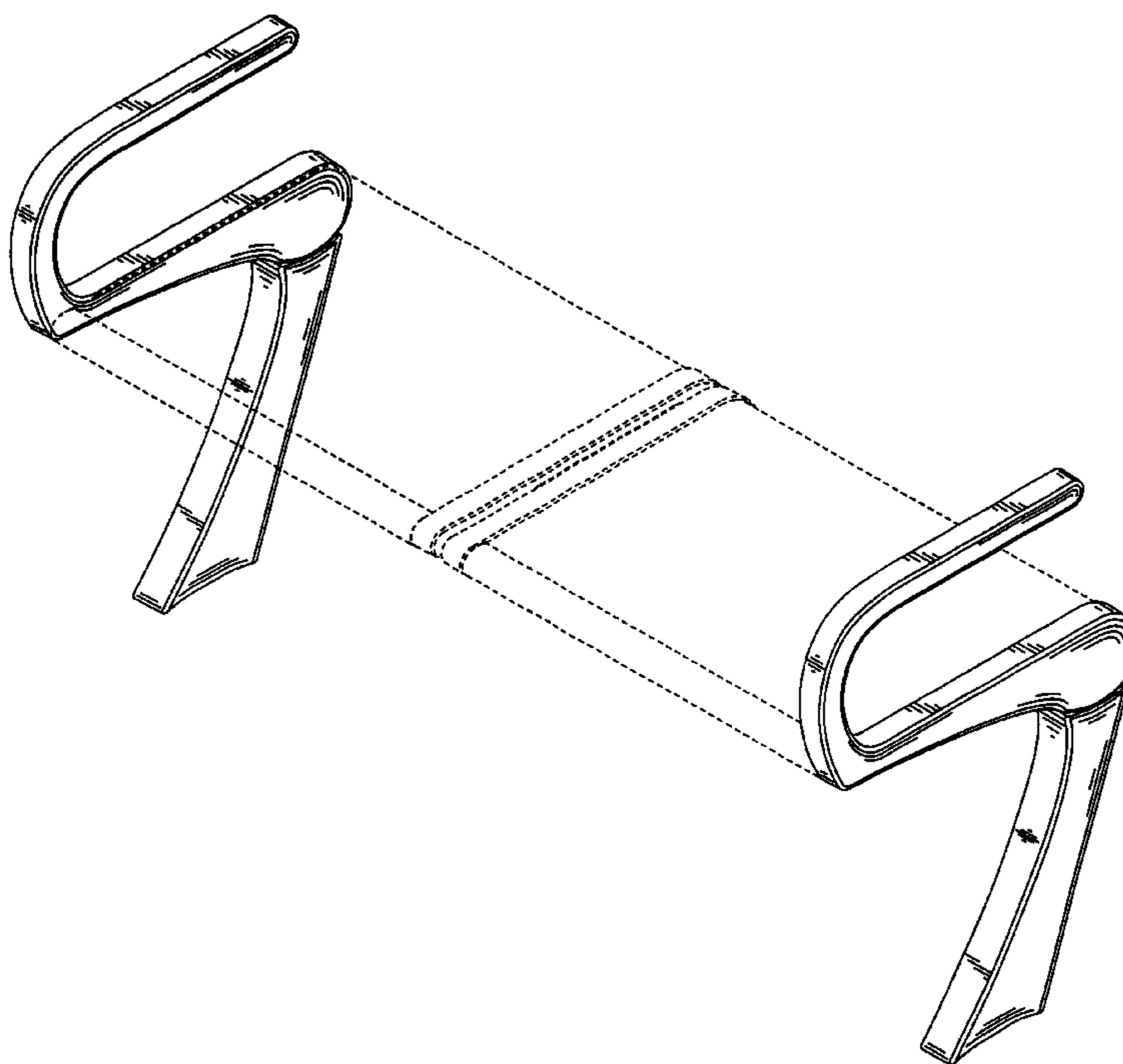
FIG. 3 is a right-side elevation view thereof, the left-side  
elevation view being a mirror image thereof;

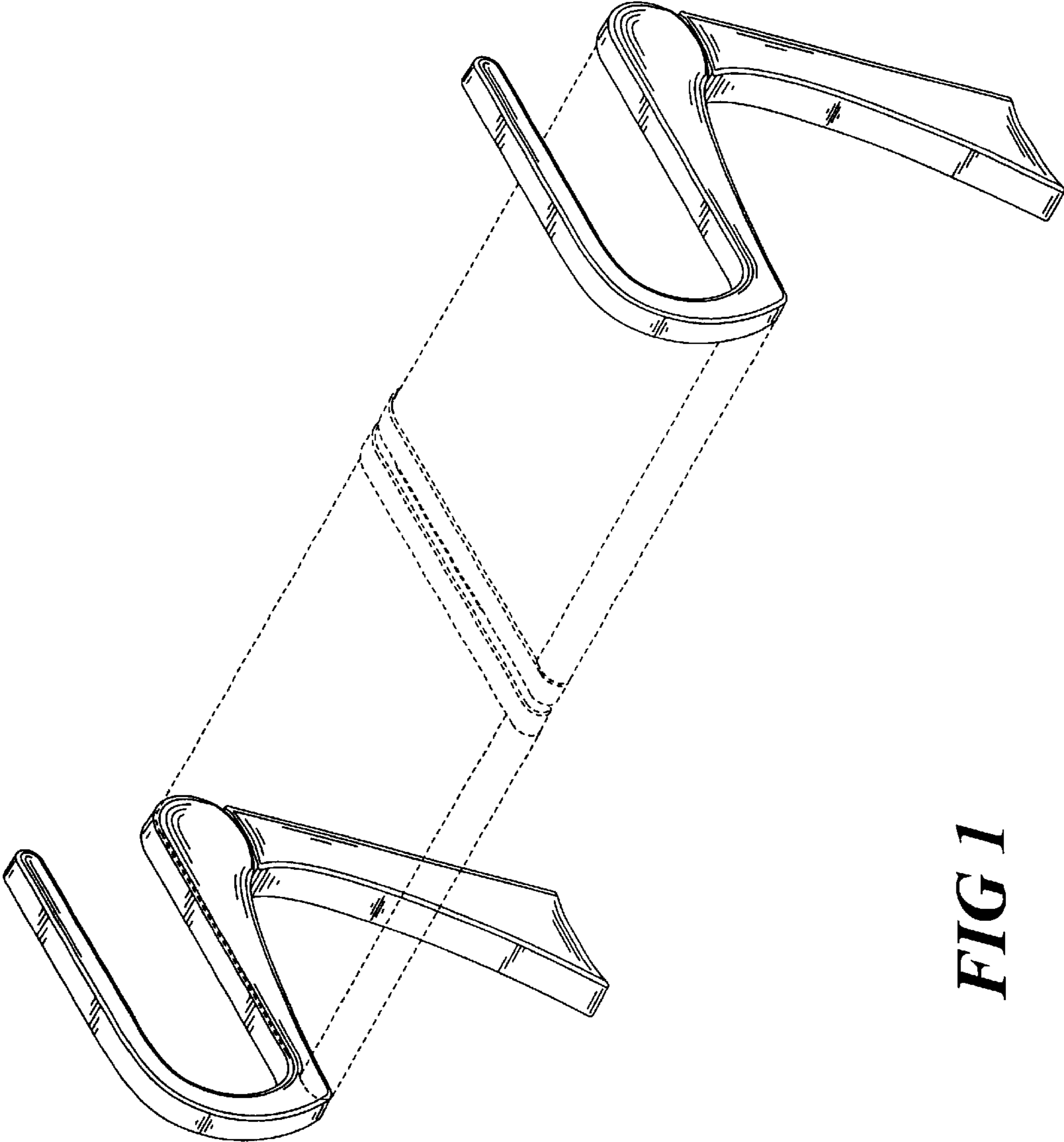
FIG. 4 is a top plan view thereof; and,

FIG. 5 is a rear elevation view thereof.

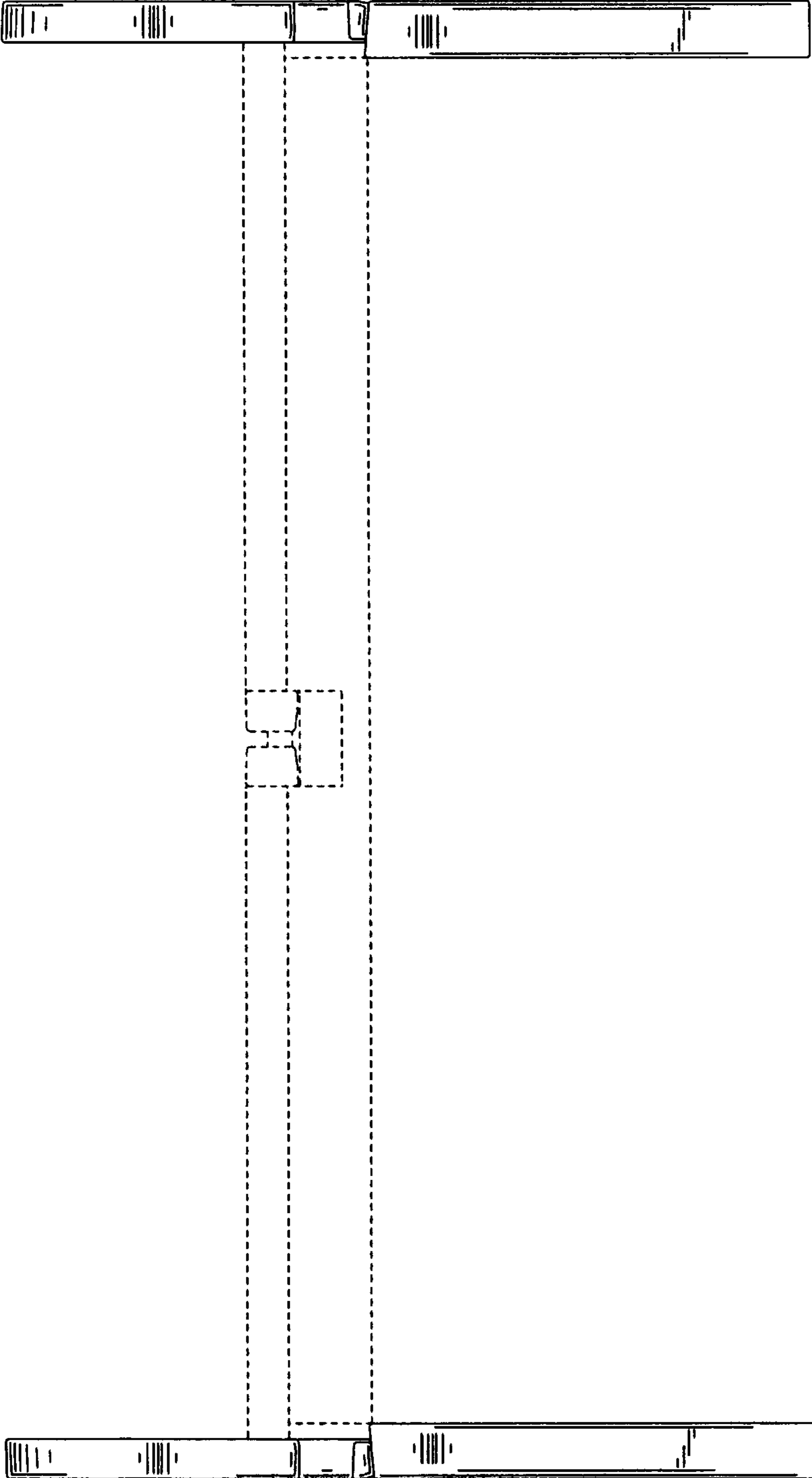
The broken line depiction is for illustrative purposes only  
and forms no part of the claimed invention.

**1 Claim, 5 Drawing Sheets**

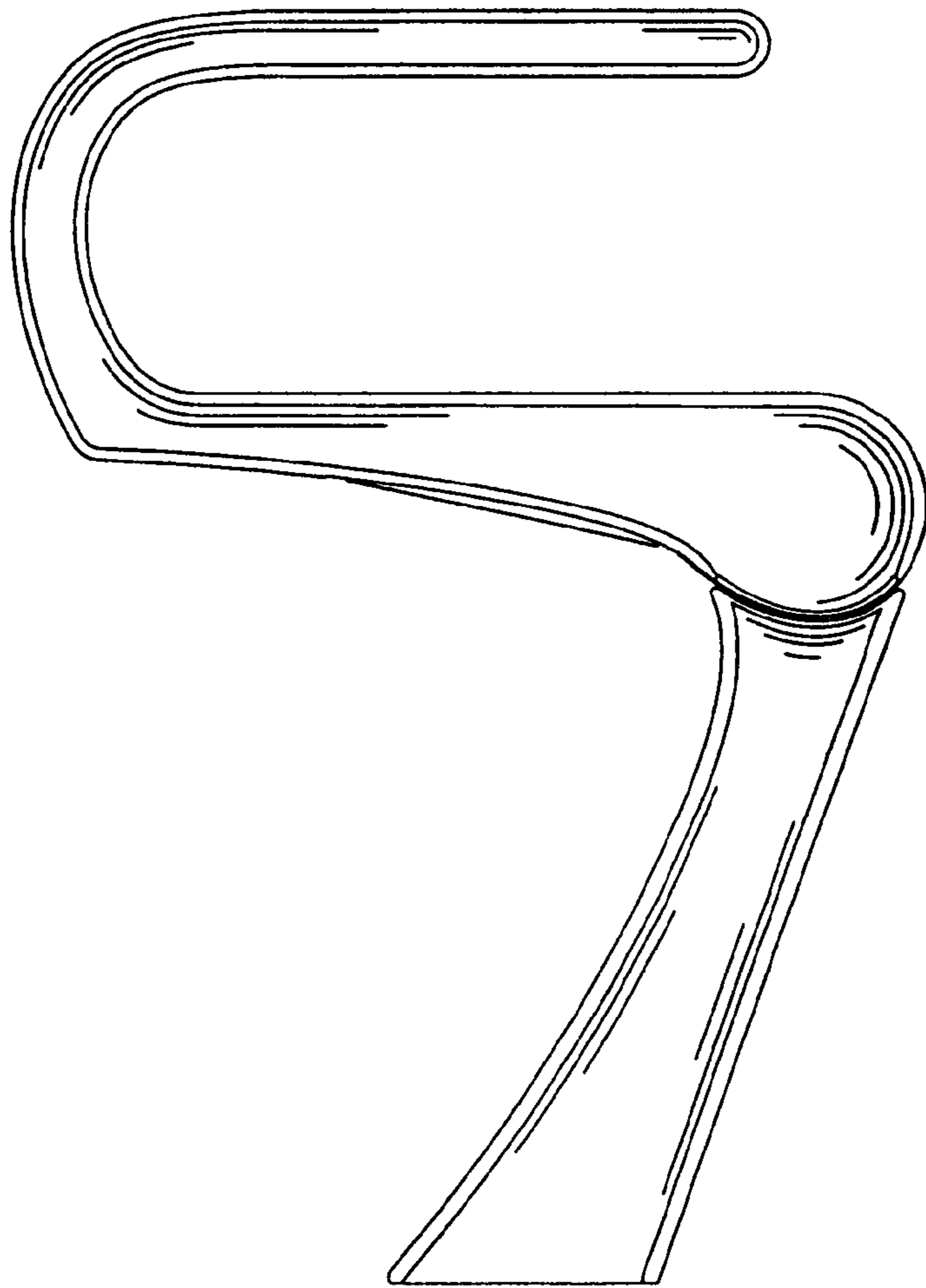




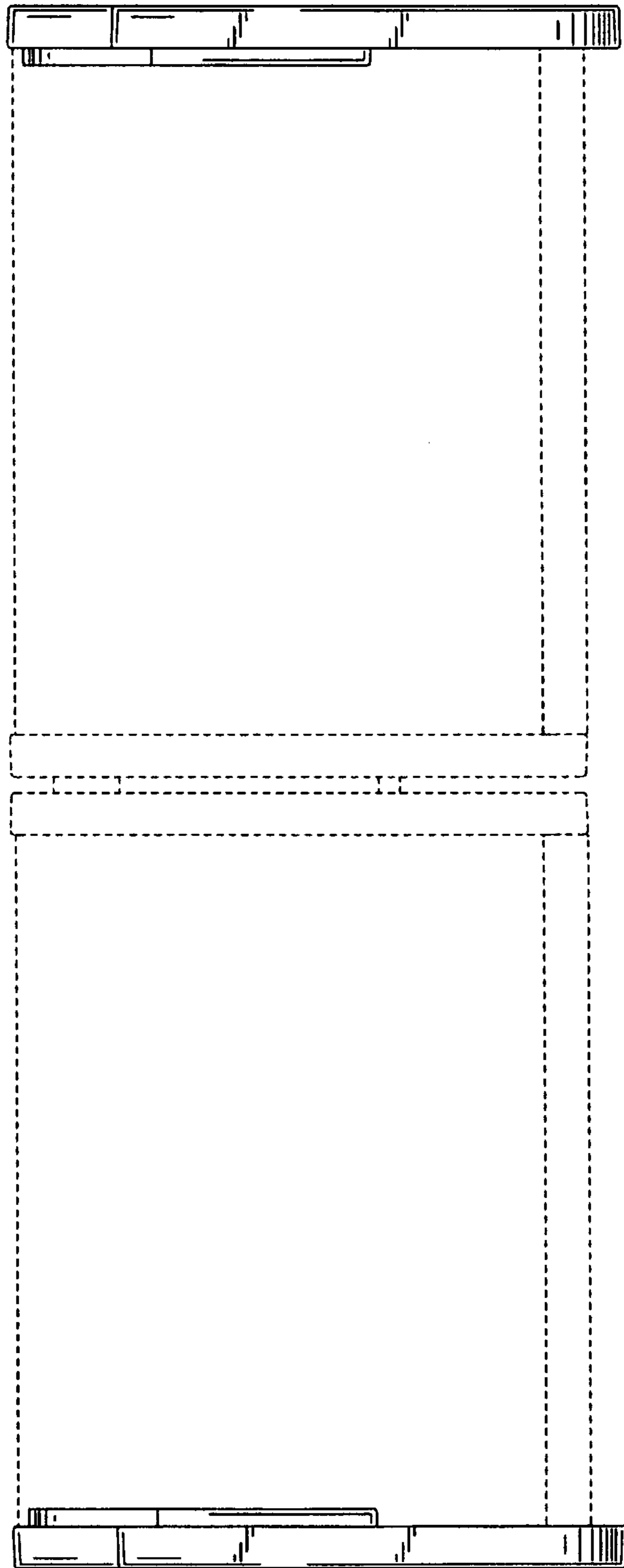
**FIG 1**



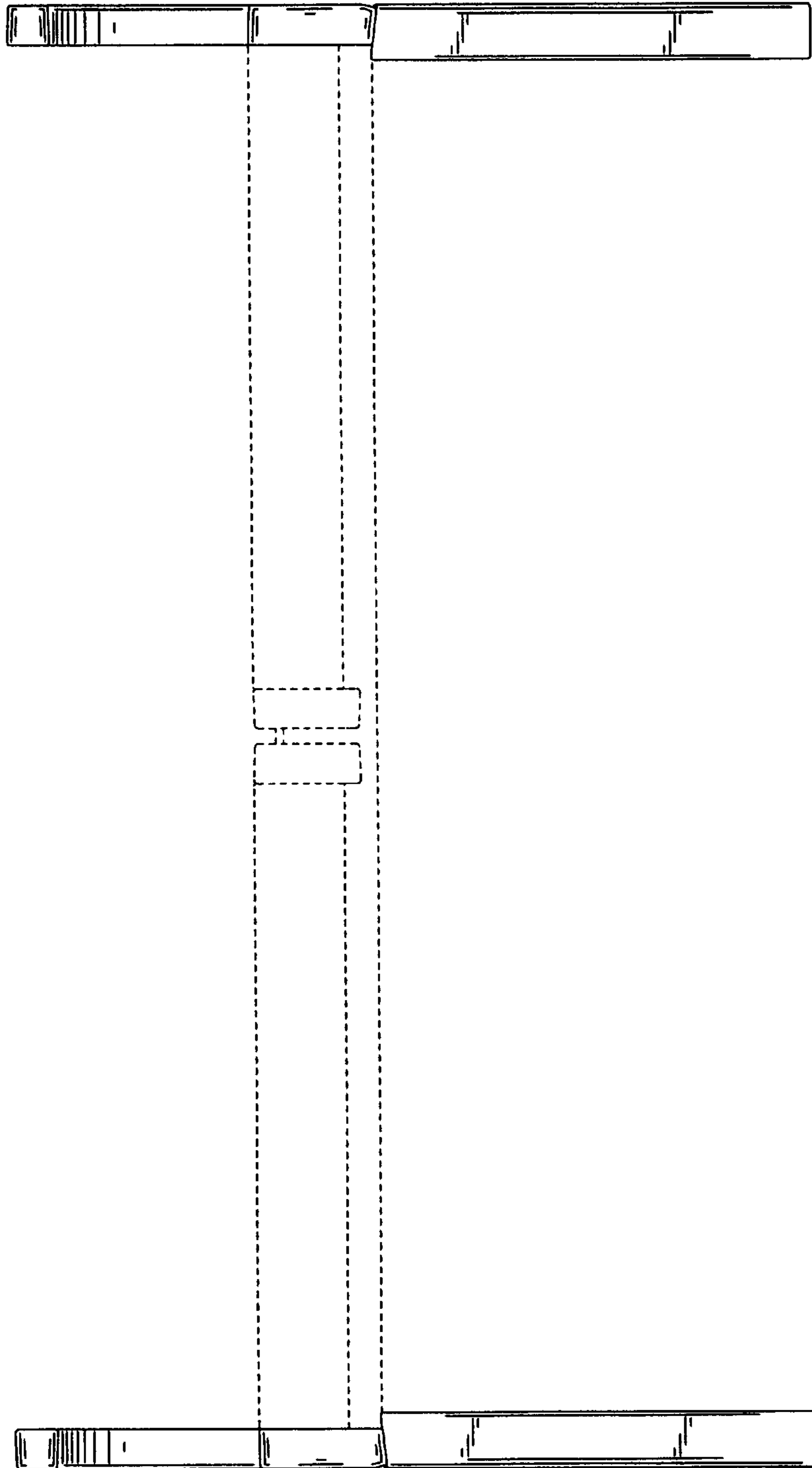
**FIG 2**



***FIG 3***



**FIG 4**



**FIG 5**