



US00D526146S

(12) **United States Design Patent**
Kita

(10) **Patent No.:** **US D526,146 S**

(45) **Date of Patent:** **** Aug. 8, 2006**

(54) **CHAIR SEAT**

(75) **Inventor:** **Toshiyuki Kita**, Osaka (JP)

(73) **Assignee:** **Takara Belmont Corporation**, Osaka (JP)

(**) **Term:** **14 Years**

(21) **Appl. No.:** **29/214,068**

(22) **Filed:** **Sep. 28, 2004**

(30) **Foreign Application Priority Data**

Mar. 30, 2004 (JP) 2004-009749

(51) **LOC (8) Cl.** **06-06**

(52) **U.S. Cl.** **D6/500; D6/364; D6/379**

(58) **Field of Classification Search** D6/334,
D6/360, 364, 365, 366, 367, 379, 380, 500-502;
297/411.2, 411.28, 411.41, 411.44
See application file for complete search history.

(56) **References Cited**

U.S. PATENT DOCUMENTS

D115,052 S	*	5/1939	Salomon	D6/379
2,838,095 A	*	6/1958	Deaton	297/411.41
D193,265 S	*	7/1962	Ohlsson	D6/379
D224,384 S	*	7/1972	Brewer	D6/379
D309,382 S	*	7/1990	Buhk	D6/360

D325,305 S	*	4/1992	Sottsass et al.	D6/379
D331,154 S	*	11/1992	Sheridan	D6/366
D444,307 S	*	7/2001	Minami	D6/360
D487,986 S	*	4/2004	Muller	D6/365

* cited by examiner

Primary Examiner—Mimosa De

(74) *Attorney, Agent, or Firm*—Armstrong, Kratz, Quintos, Hanson & Brooks, LLP

(57) **CLAIM**

The ornamental design for a chair seat, as shown and described.

DESCRIPTION

FIG. 1 is a perspective view of the chair seat of the present invention;

FIG. 2 is a front view thereof;

FIG. 3 is a rear view thereof;

FIG. 4 is a right side view thereof;

FIG. 5 is a top view thereof;

FIG. 6 is a bottom view thereof;

FIG. 7 is a left side view thereof;

FIG. 8 is a cross-sectional view thereof taken along line II of FIG. 2; and,

FIG. 9 is a right side view of the present invention also showing the article in broken lines in which the design is embodied that is not part of the claimed design.

1 Claim, 5 Drawing Sheets

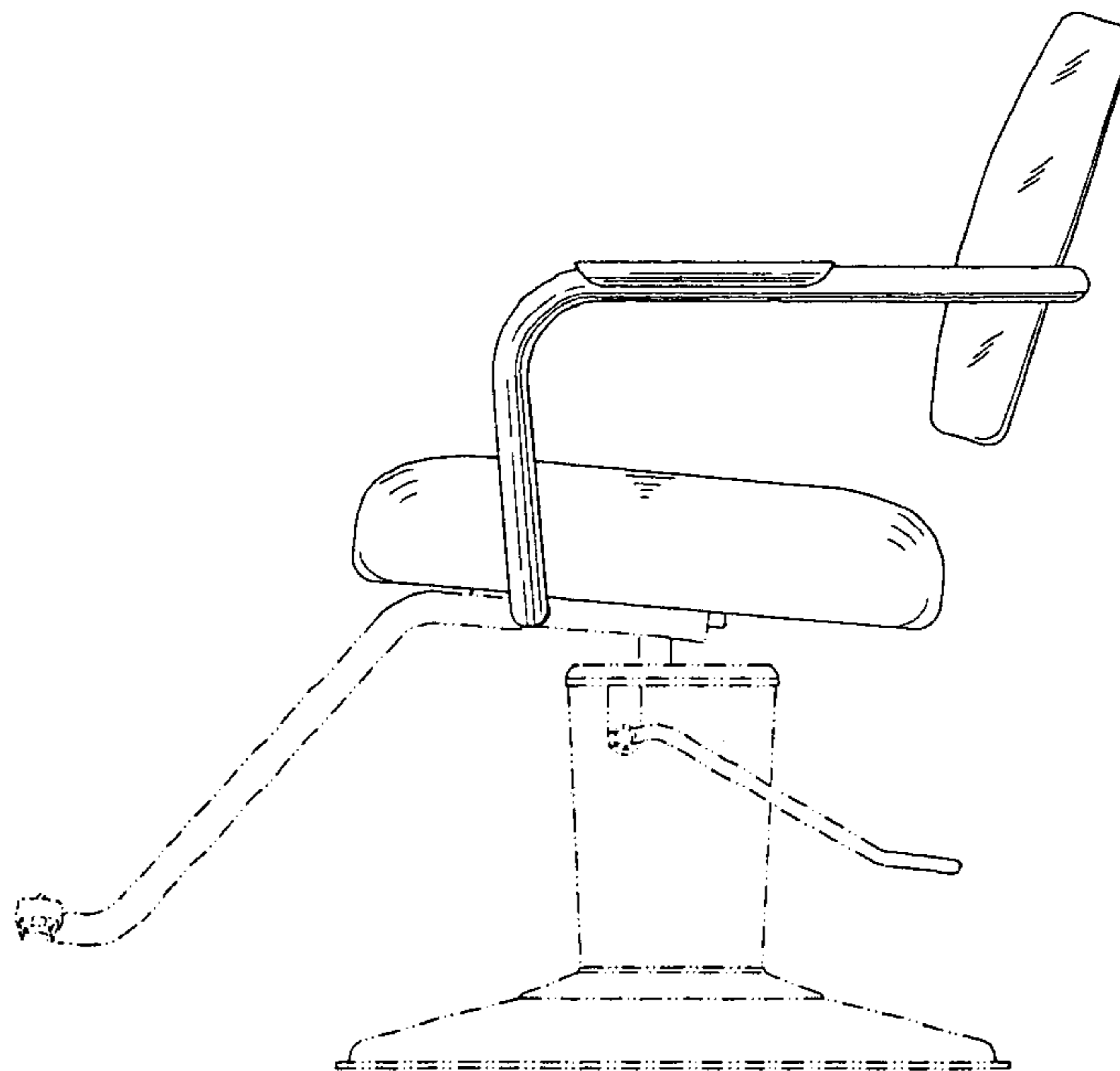
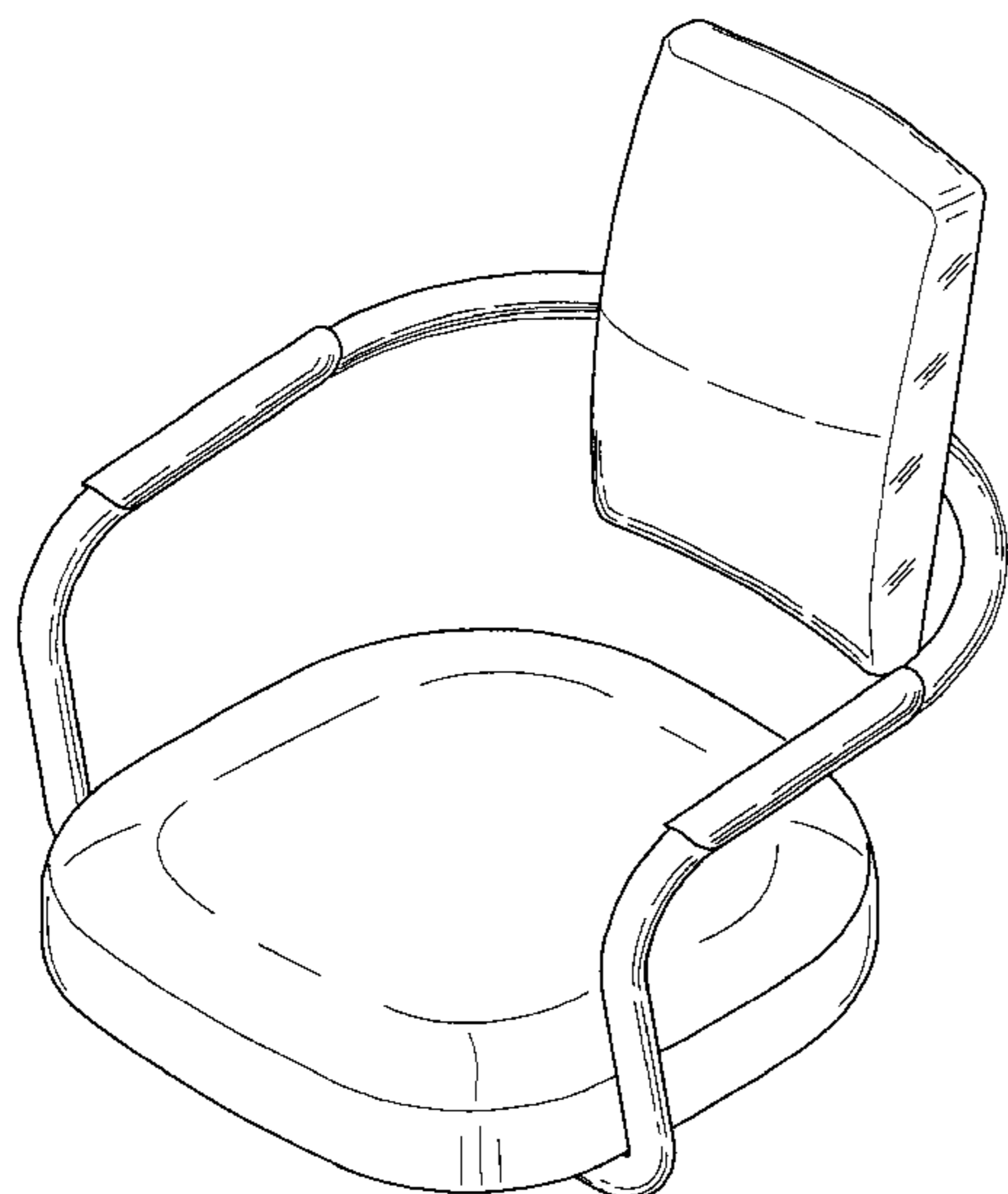


FIG. 1

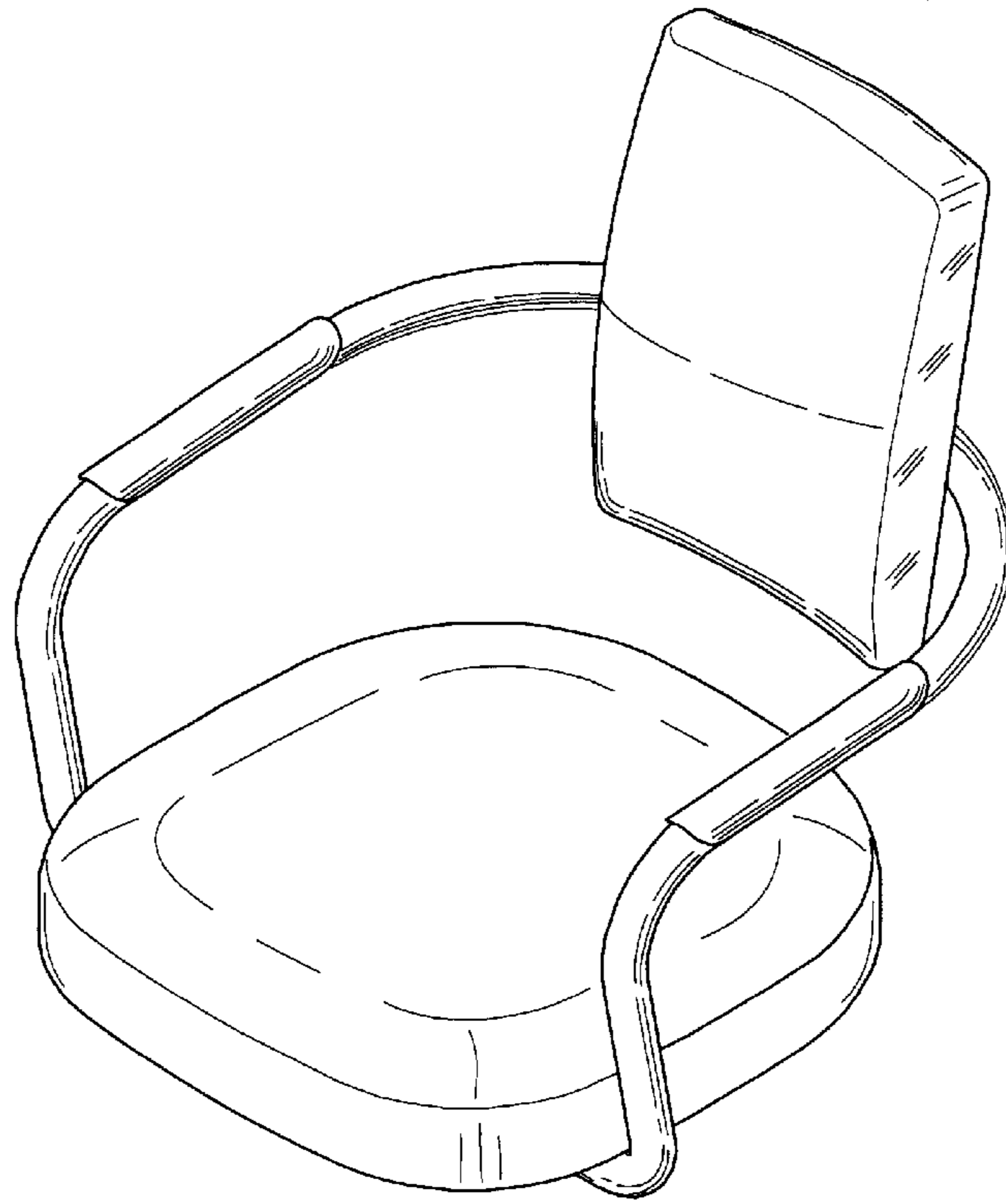


FIG. 2

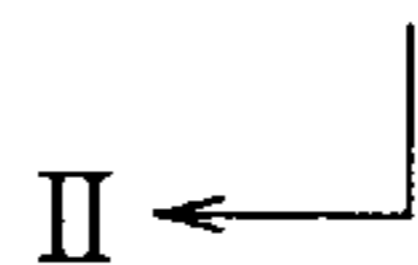
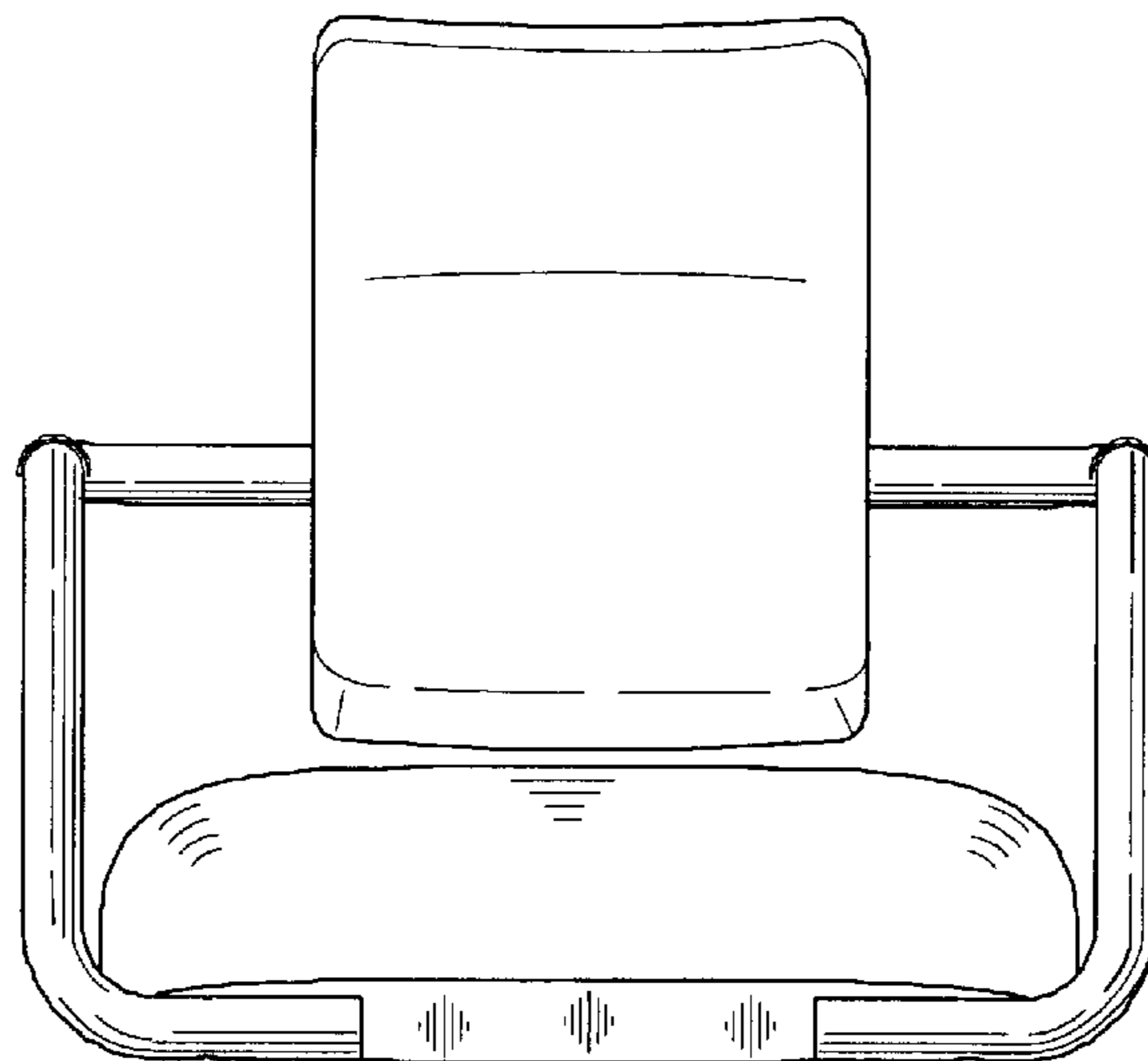
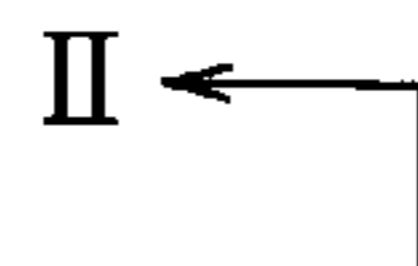


FIG. 3

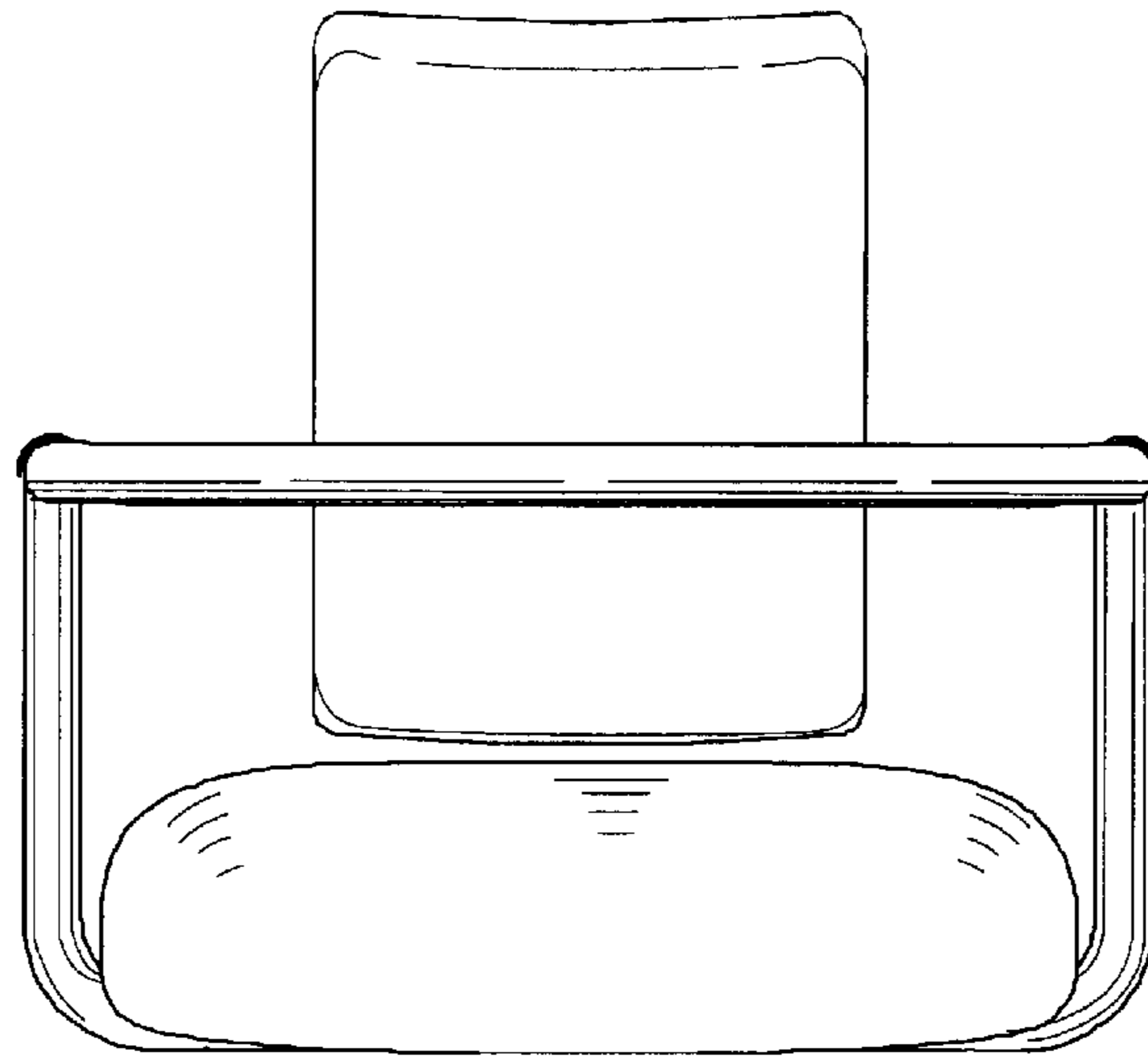


FIG. 4

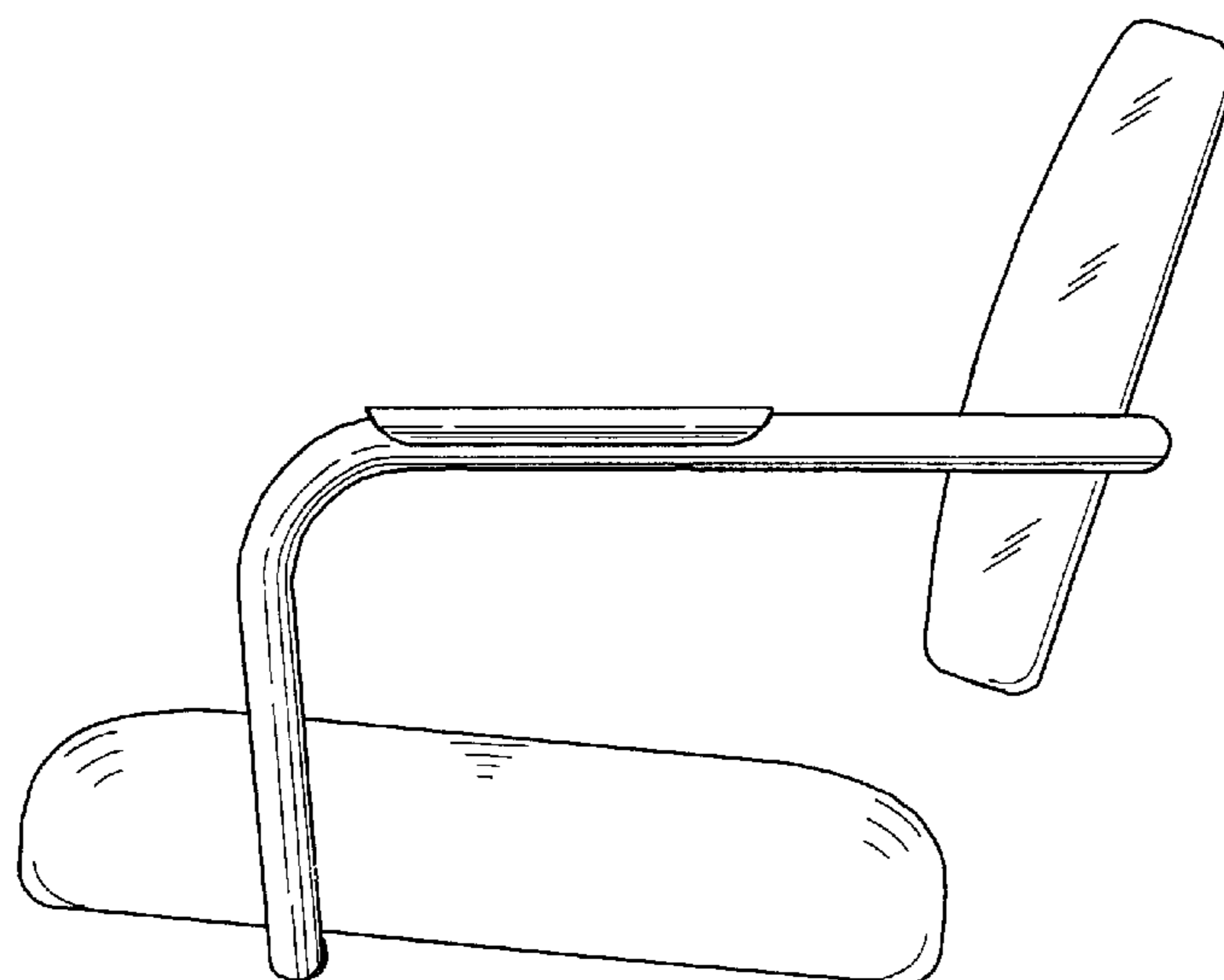


FIG. 5

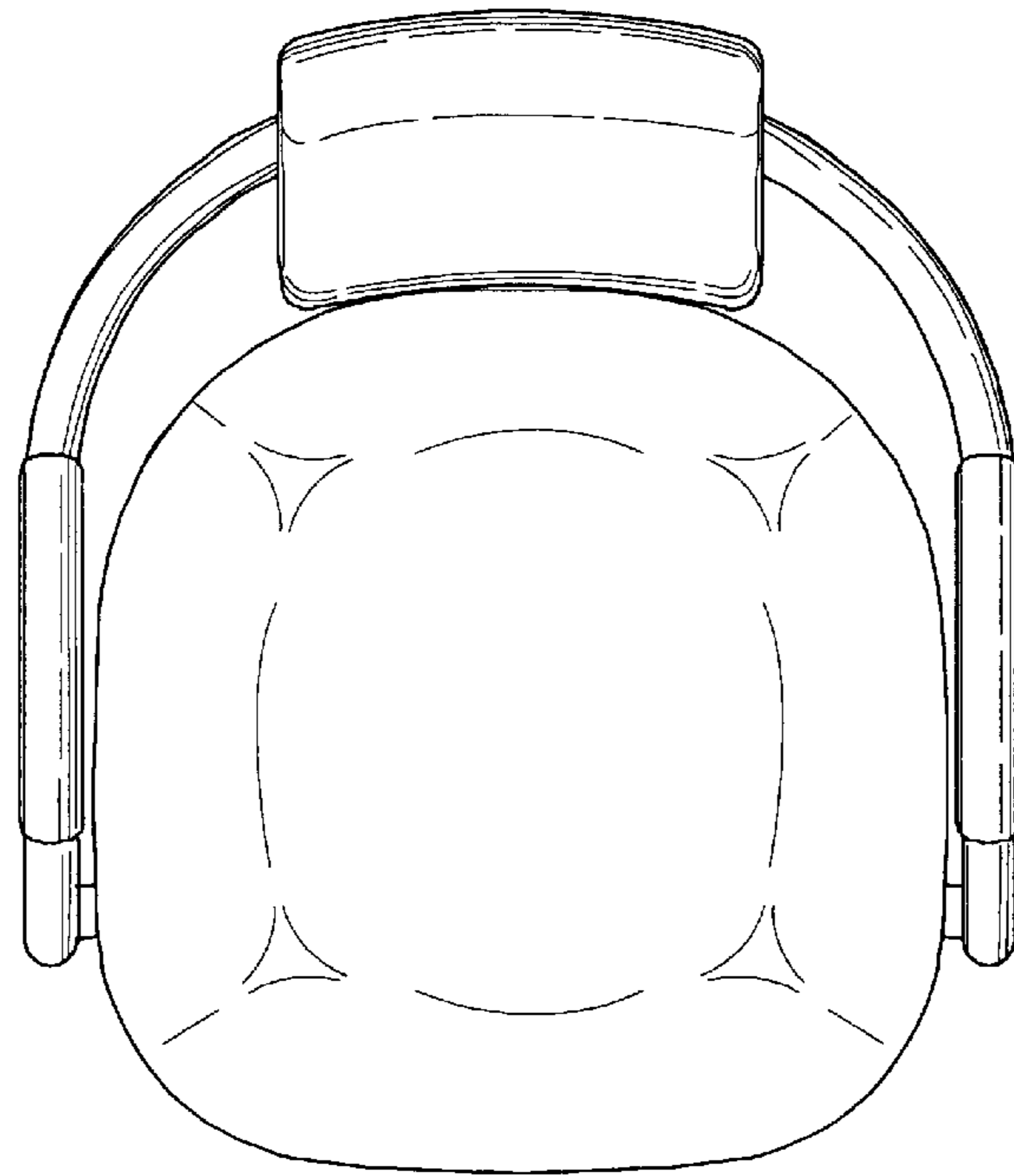


FIG. 6

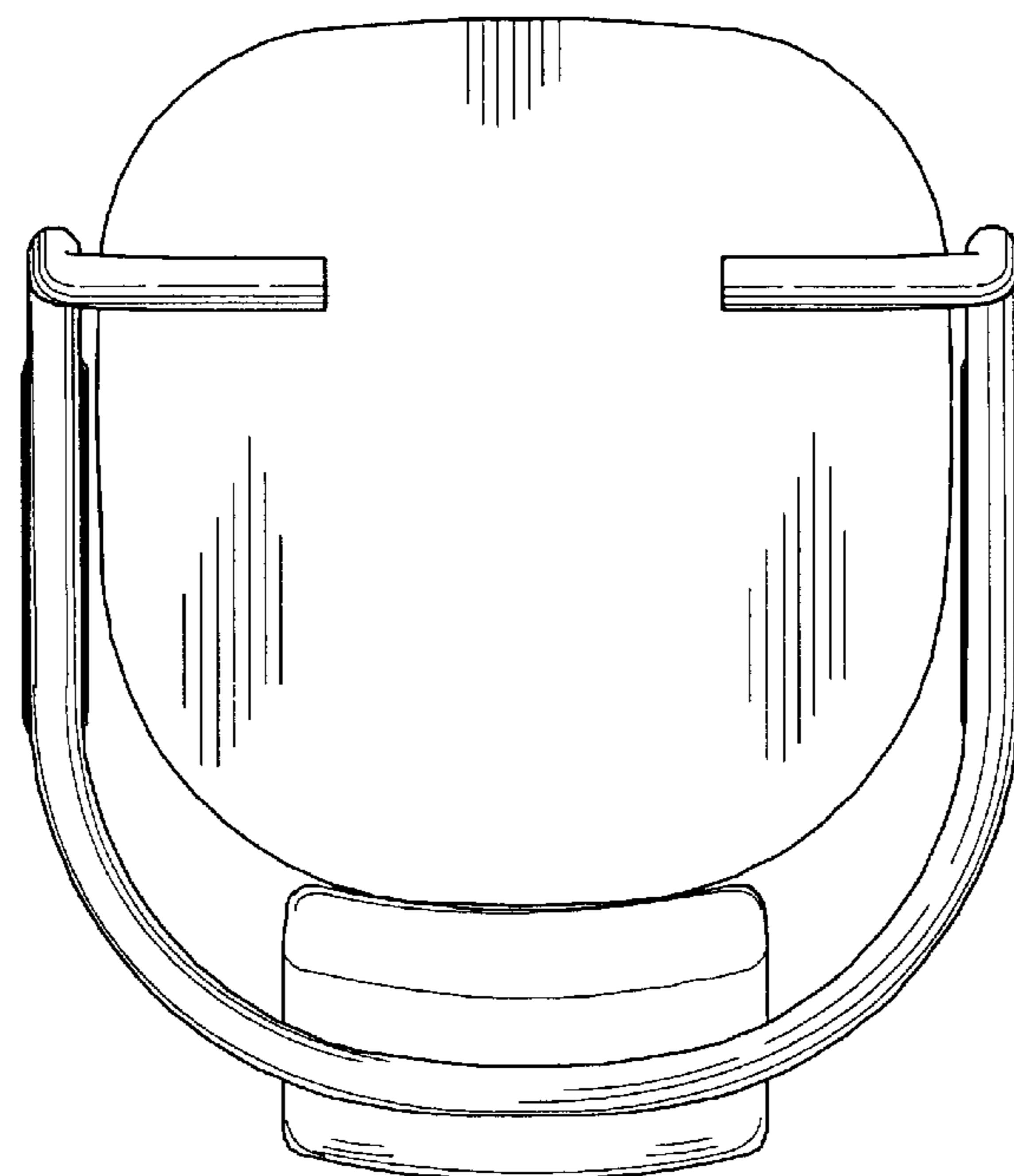


FIG. 7

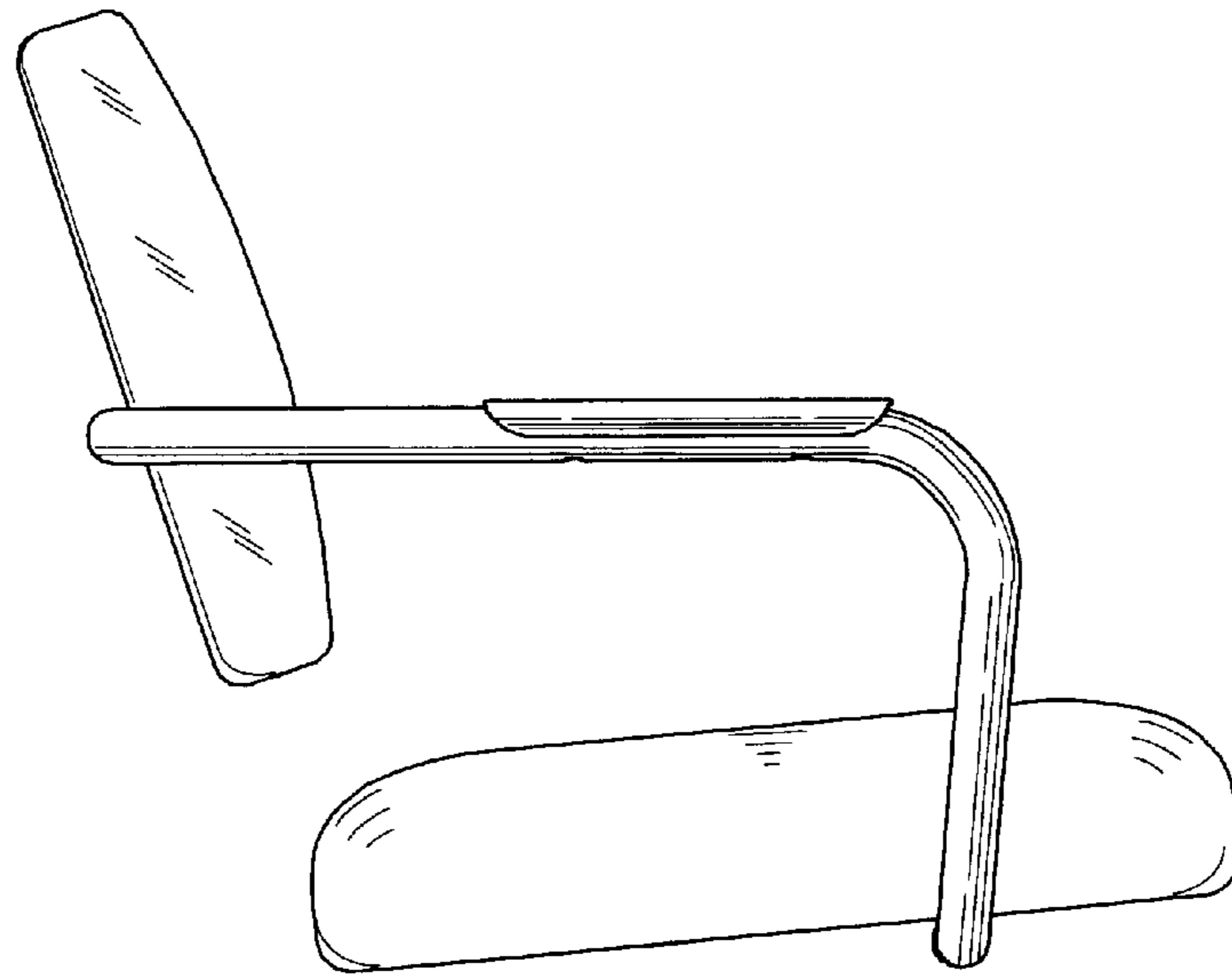


FIG. 8

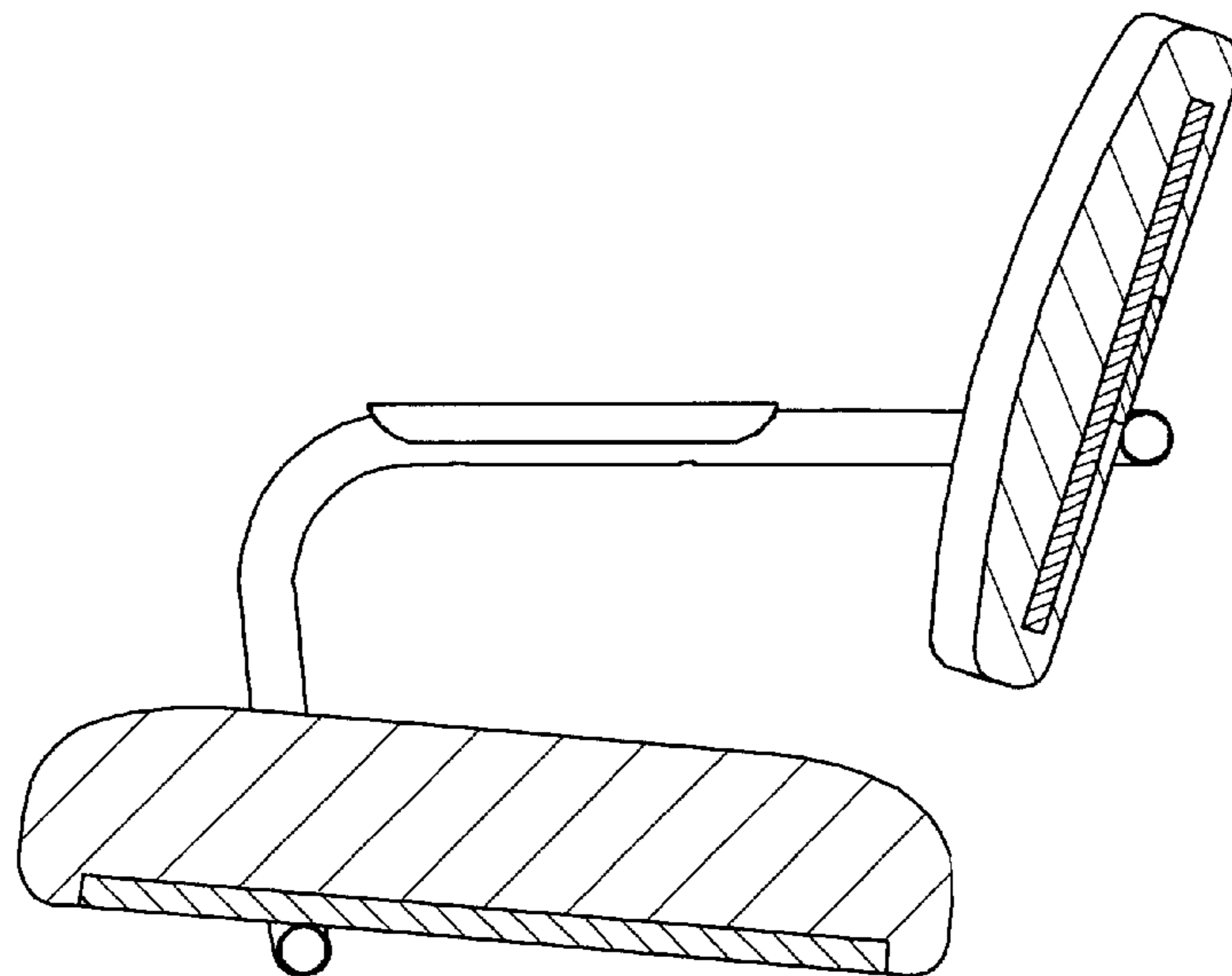


FIG. 9

