



US00D526144S

(12) **United States Design Patent**  
**Luebke**

(10) **Patent No.:** **US D526,144 S**

(45) **Date of Patent:** **\*\* Aug. 8, 2006**

(54) **TRANSPORTATION SEAT ASSEMBLY**

(75) Inventor: **William John Luebke**, Wheeling, IL  
(US)

(73) Assignee: **Kustom Seating Upholstery, Inc.**,  
Bellwood, IL (US)

(\*\*) Term: **14 Years**

(21) Appl. No.: **29/198,385**

(22) Filed: **Jan. 29, 2004**

(51) **LOC (8) Cl.** ..... **06-06**

(52) **U.S. Cl.** ..... **D6/500; D6/356**

(58) **Field of Classification Search** ..... D12/415,  
D12/416, 419, 421, 423; 296/37.1, 37.6,  
296/37.8; 224/275, 400, 539-543, 926, 928;  
D6/334, 336, 356, 491, 492, 500-502; 297/115,  
297/127, 188.01, 188.14, 188.15, 188.18,  
297/188.19, 232

See application file for complete search history.

(56) **References Cited**

**U.S. PATENT DOCUMENTS**

D260,058	S	*	8/1981	Ponzellini	.....	D6/336
D269,652	S	*	7/1983	McKean et al.	.....	D6/356
D273,157	S	*	3/1984	Staub	.....	D6/356
4,533,175	A	*	8/1985	Brennan	.....	297/232
5,037,157	A	*	8/1991	Wain et al.	.....	297/188.18
5,492,068	A	*	2/1996	McKee	.....	296/37.8
5,516,191	A	*	5/1996	McKee	.....	297/188.15
D375,480	S	*	11/1996	Smith	.....	D12/419
5,863,089	A	*	1/1999	Ignarra et al.	.....	296/37.8
5,897,155	A	*	4/1999	Kerner et al.	.....	296/37.8
5,947,554	A	*	9/1999	Mashkevich	.....	297/115
D430,535	S	*	9/2000	Smith	.....	D12/419
6,203,088	B1	*	3/2001	Fernandez et al.	.....	296/37.8

D444,120	S	*	6/2001	Smith	.....	D12/419
6,264,261	B1	*	7/2001	Krafcik	.....	296/37.8
6,547,326	B1	*	4/2003	Walkinshaw et al.	..	297/188.01
6,811,197	B1	*	11/2004	Grabowski et al.	.....	296/37.8
6,851,736	B1	*	2/2005	Klopp et al.	.....	296/37.8
2003/0085245	A1	*	5/2003	Chiku	.....	224/275
2004/0217615	A1	*	11/2004	Lindstrom et al.	.....	224/275

**OTHER PUBLICATIONS**

Declaration of William J. Luebke dated Apr. 22, 2005 and Coach and Car Equipment Corporation, PowerPoint Presentation of Rail Seating Program.

\* cited by examiner

*Primary Examiner*—Mimosa De

(74) *Attorney, Agent, or Firm*—Wallenstein & Wagner, Ltd.

(57) **CLAIM**

I claim the ornamental design for a transportation seat assembly, as shown and described.

**DESCRIPTION**

FIG. 1 is a perspective view of the transportation seat assembly of the invention;

FIG. 2 is a rear perspective view of the transportation seat assembly of FIG. 1;

FIG. 3 is a front view of the transportation seat assembly of FIG. 1;

FIG. 4 is a rear view of the transportation seat assembly of FIG. 1;

FIG. 5 is a top view of the transportation seat assembly of FIG. 1; and,

FIG. 6 is a side view of the transportation seat assembly of FIG. 1.

Broken lines in the Figures are for illustrative purposes only and form no part of the claimed design.

**1 Claim, 4 Drawing Sheets**

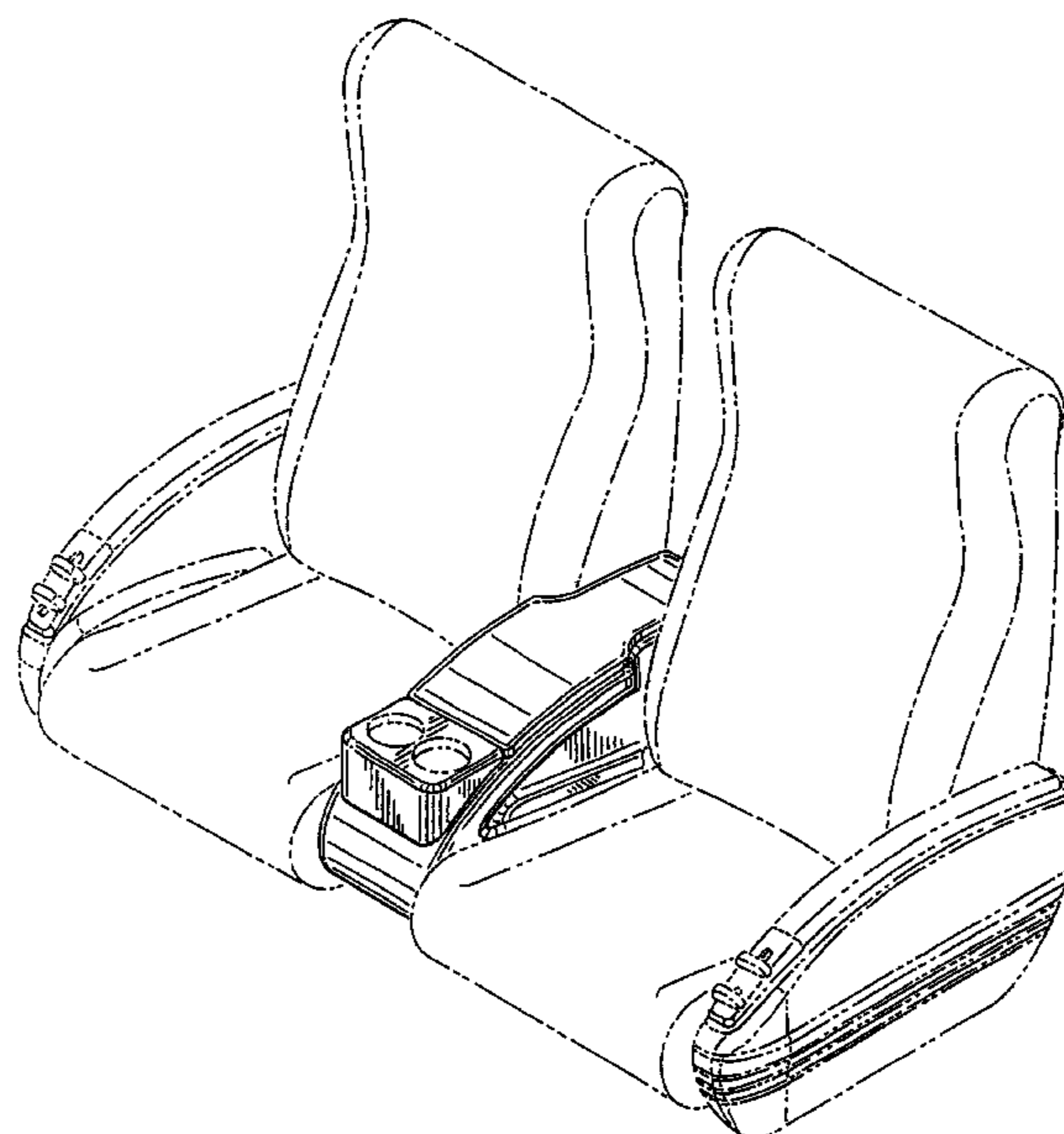


FIG. 1

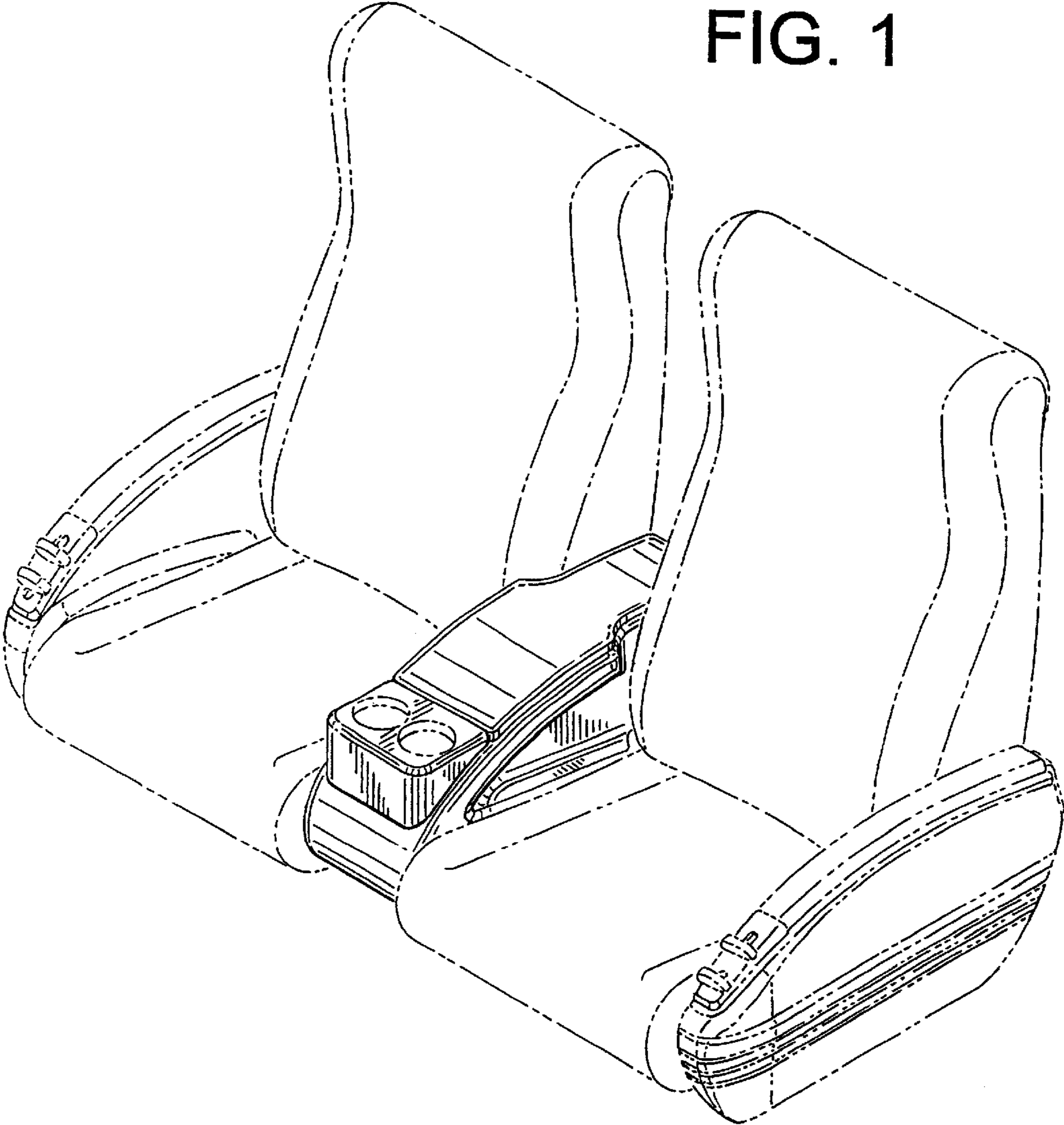


FIG. 2

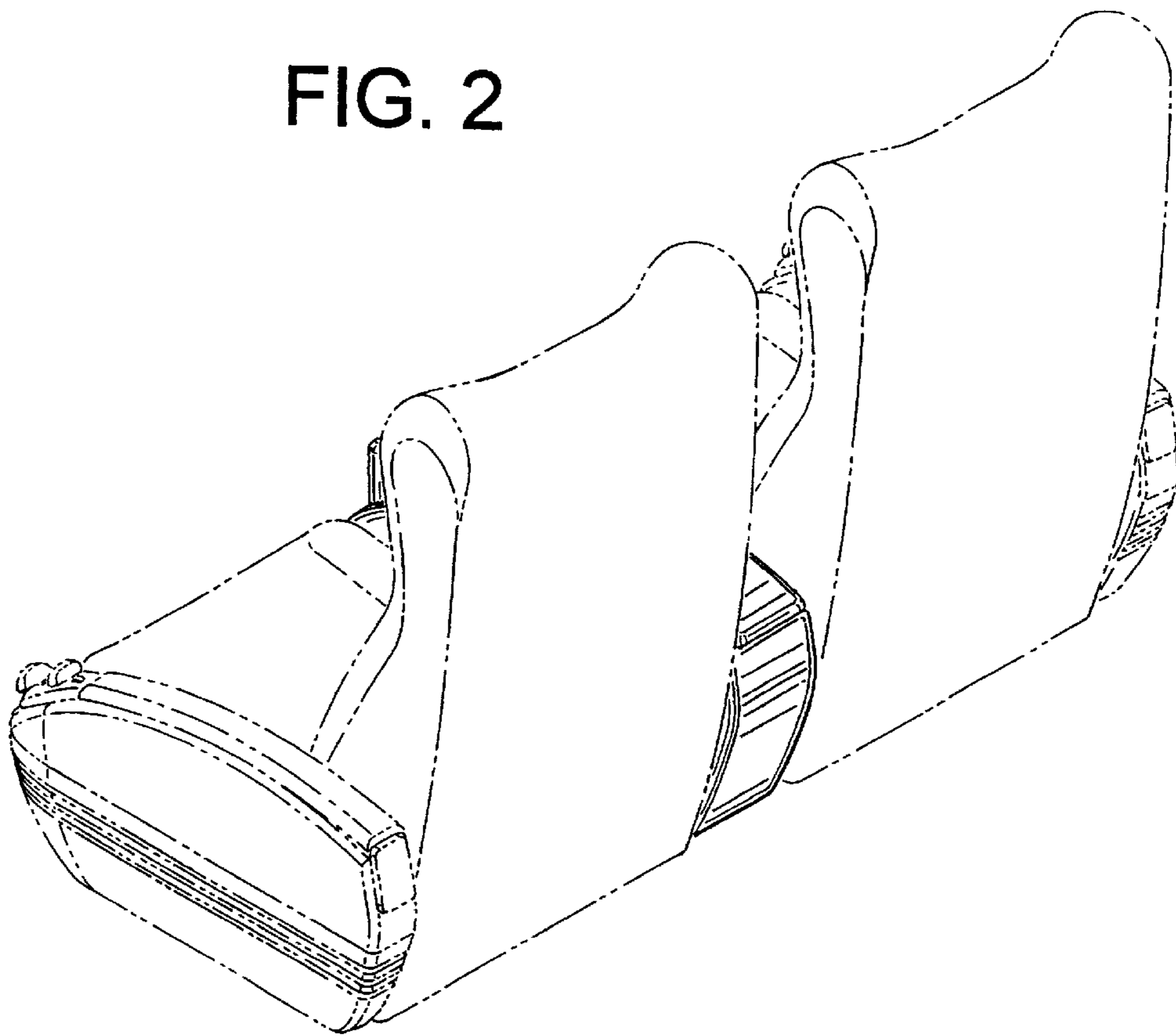


FIG. 3

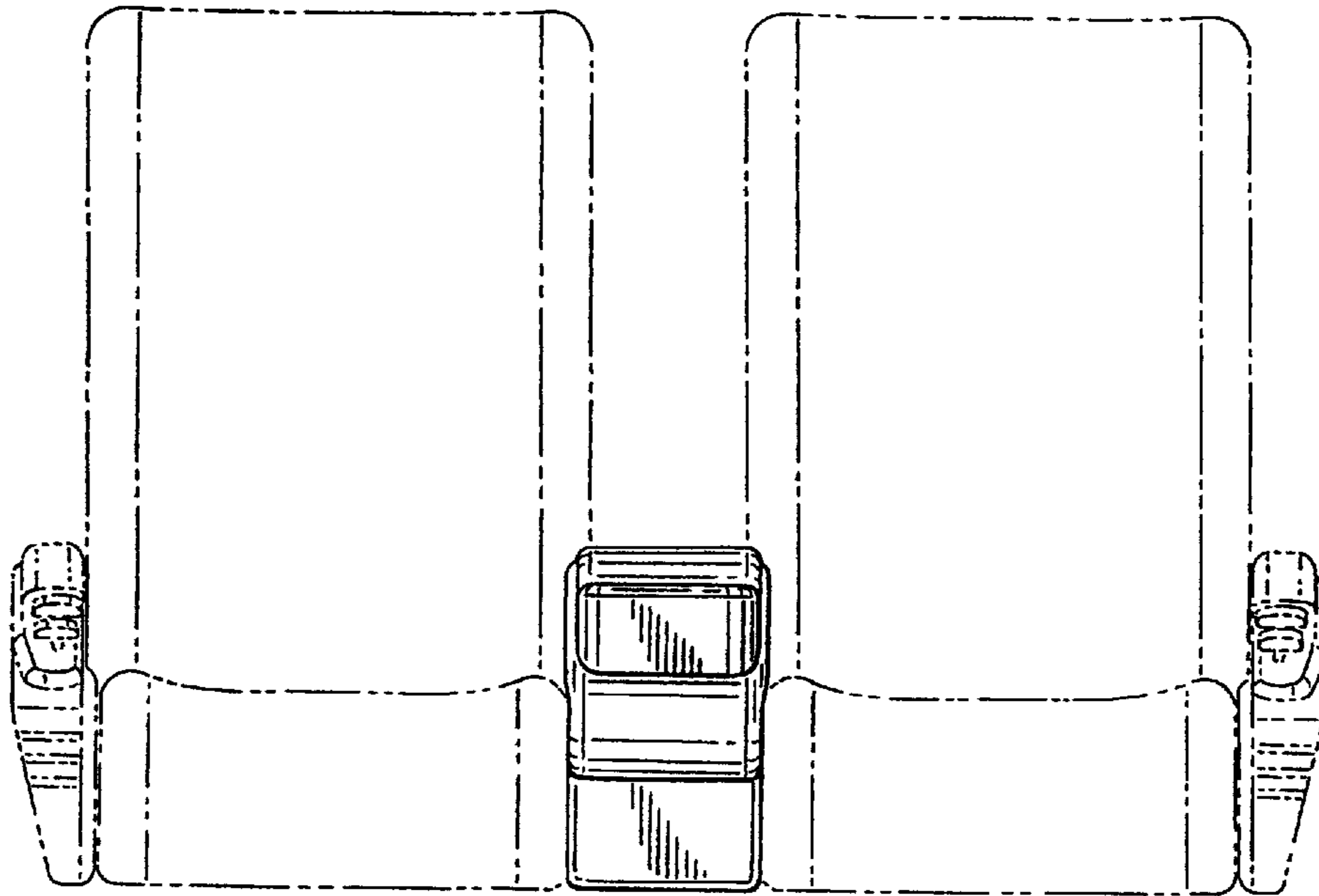


FIG. 4

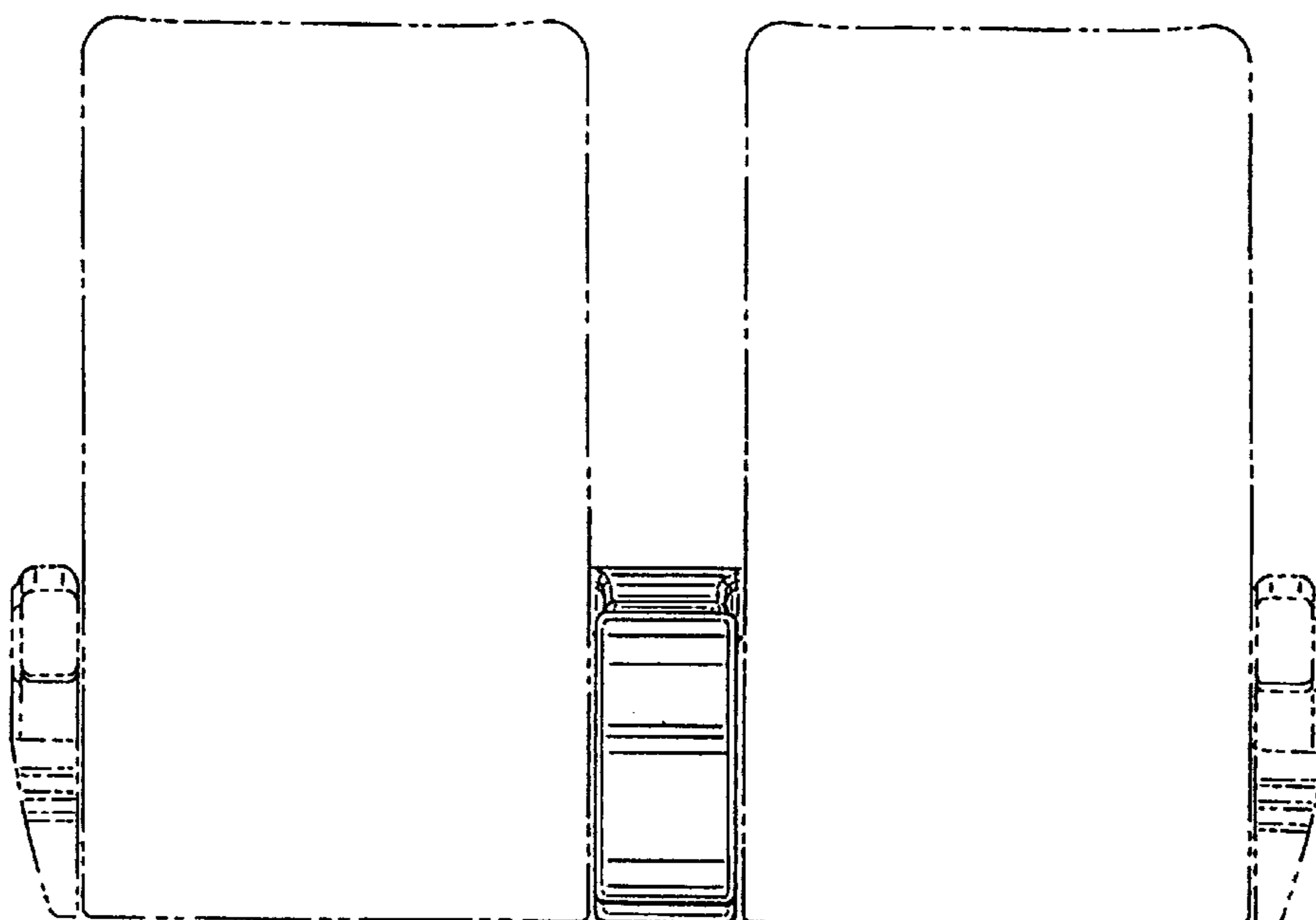


FIG. 5

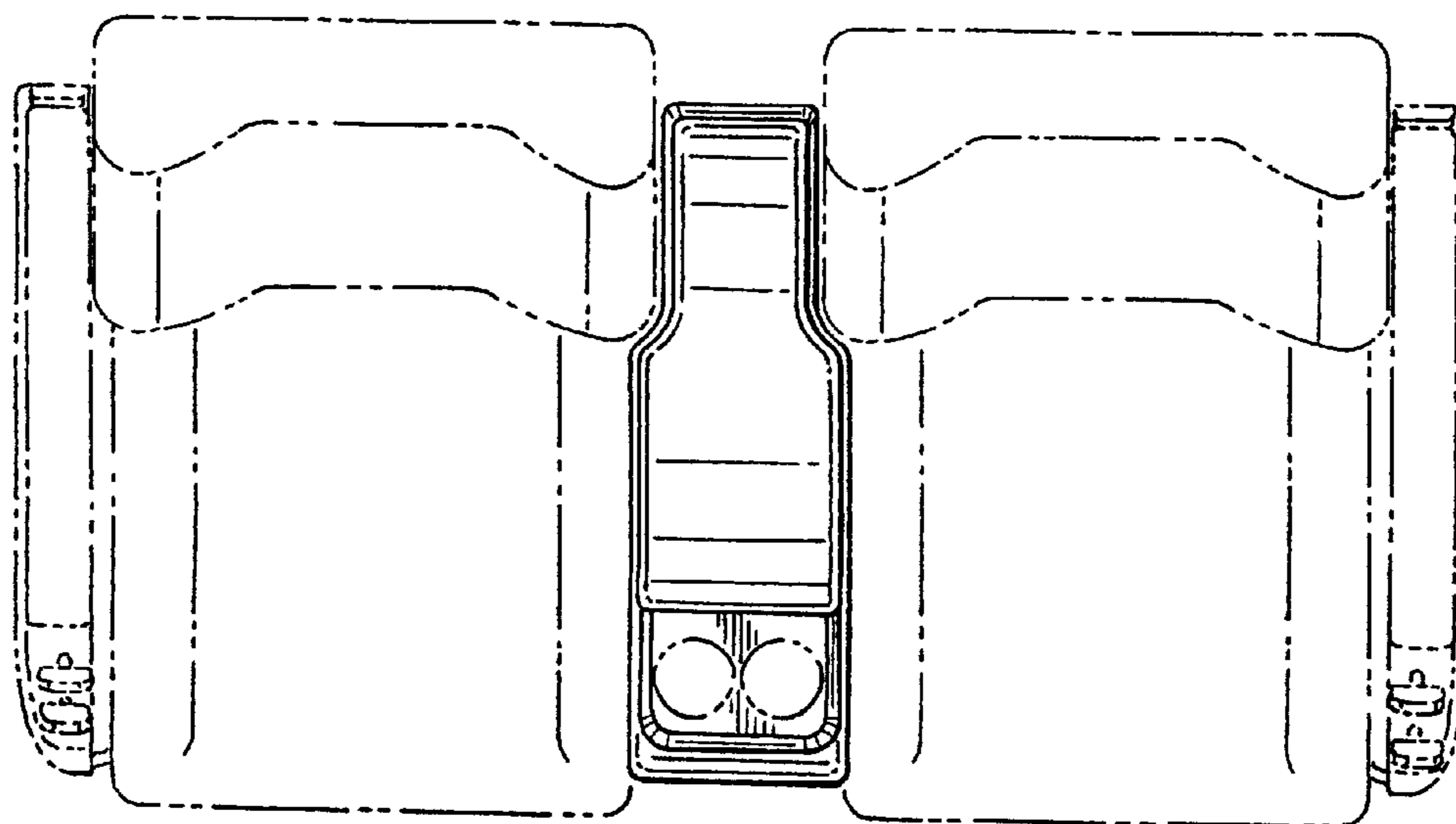


FIG. 6

